



US00D852098S

(12) **United States Design Patent** (10) **Patent No.:** **US D852,098 S**  
**Hu** (45) **Date of Patent:** **\*\* Jun. 25, 2019**

(54) **RETRACTABLE SUNSHADE**

(71) Applicant: **Qizhao Hu**, Foshan (CN)

(72) Inventor: **Qizhao Hu**, Foshan (CN)

(\*\*) Term: **15 Years**

(21) Appl. No.: **29/684,093**

(22) Filed: **Mar. 19, 2019**

(51) **LOC (11) Cl.** ..... **12-16**

(52) **U.S. Cl.**  
USPC ..... **D12/183**

(58) **Field of Classification Search**  
USPC ..... D12/183, 182, 190, 191  
CPC ..... B60J 3/02; B60J 3/0208; B60J 1/20; B60J  
1/2005; B60J 1/2002; B60J 3/0204  
See application file for complete search history.

(56) **References Cited**

**U.S. PATENT DOCUMENTS**

D335,113 S	4/1993	Douglas	
D415,342 S	10/1999	Booth	
6,227,600 B1 *	5/2001	Chen	B60J 1/2047 296/97.2
6,527,329 B2 *	3/2003	Bauer	B60J 3/0208 296/97.4
D482,994 S *	12/2003	Hilton	D12/191
8,708,028 B2 *	4/2014	Oh	B60J 1/2025 160/274
D708,558 S	7/2014	Coombs	
D746,192 S *	12/2015	Balfour	D12/183
D756,868 S *	5/2016	Shu	D12/183

D762,078 S *	7/2016	Freese	D6/580
D792,821 S *	7/2017	Greger	D12/183
D797,622 S *	9/2017	Taylor	D12/183
D828,253 S *	9/2018	Mao	D12/183
2010/0013262 A1 *	1/2010	Shu	B60J 1/2038 296/97.8

\* cited by examiner

*Primary Examiner* — Katrina A Betton

(74) *Attorney, Agent, or Firm* — Zan IP; Jie Yang

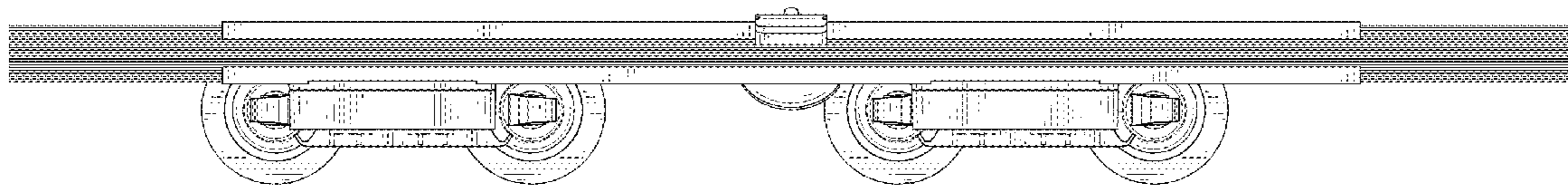
(57) **CLAIM**

The ornamental design for a retractable sunshade, as shown and described.

**DESCRIPTION**

FIG. 1 is a first perspective view of a retractable sunshade showing my design;  
 FIG. 2 is a second perspective view thereof;  
 FIG. 3 is a front view thereof;  
 FIG. 4 is a back view thereof;  
 FIG. 5 is a left side view thereof;  
 FIG. 6 is a right side view thereof;  
 FIG. 7 is a top view thereof;  
 FIG. 8 is a bottom view thereof;  
 FIG. 9 is a first perspective view of another state of the retractable sunshade thereof; and,  
 FIG. 10 is a second perspective view of another state of the retractable sunshade thereof.  
 The dashed or broken lines shown in the drawings depict portions of the retractable sunshade which the design is embodied that form no part of die claimed design.

**1 Claim, 10 Drawing Sheets**



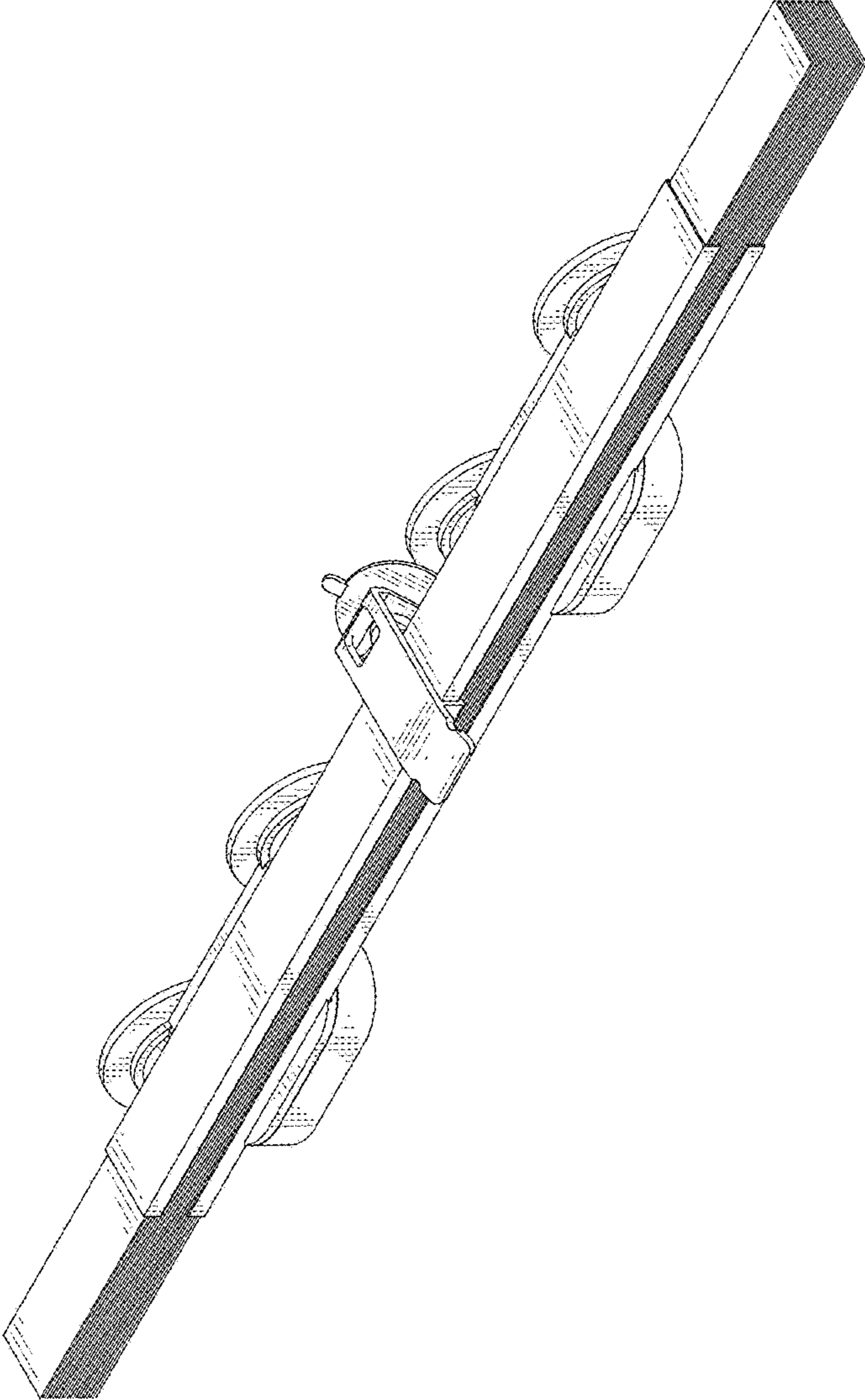


FIG. 1

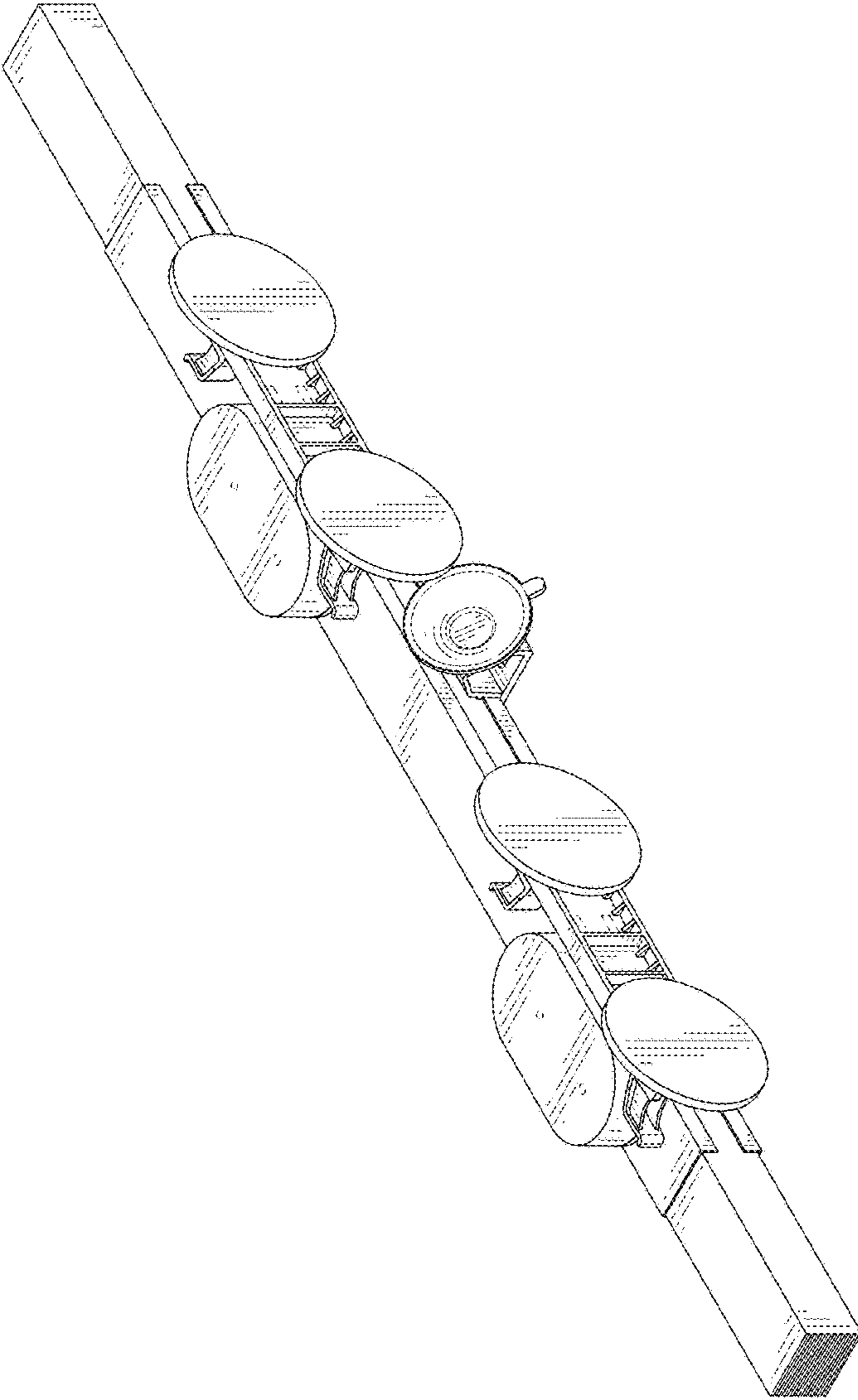


FIG. 2

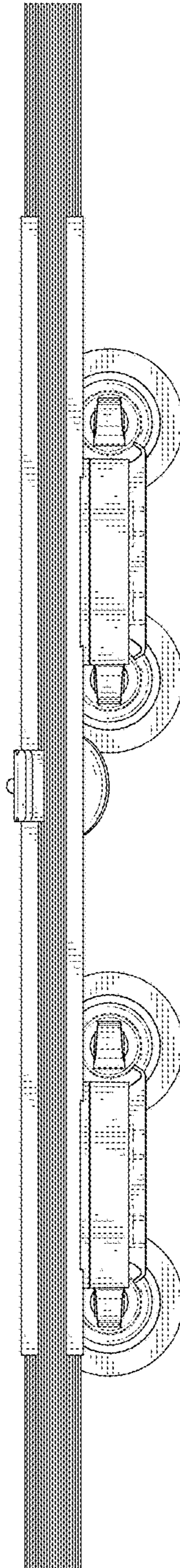


FIG. 3

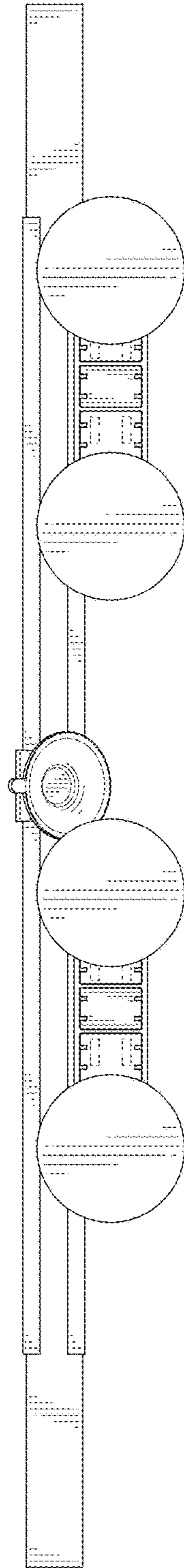


FIG. 4

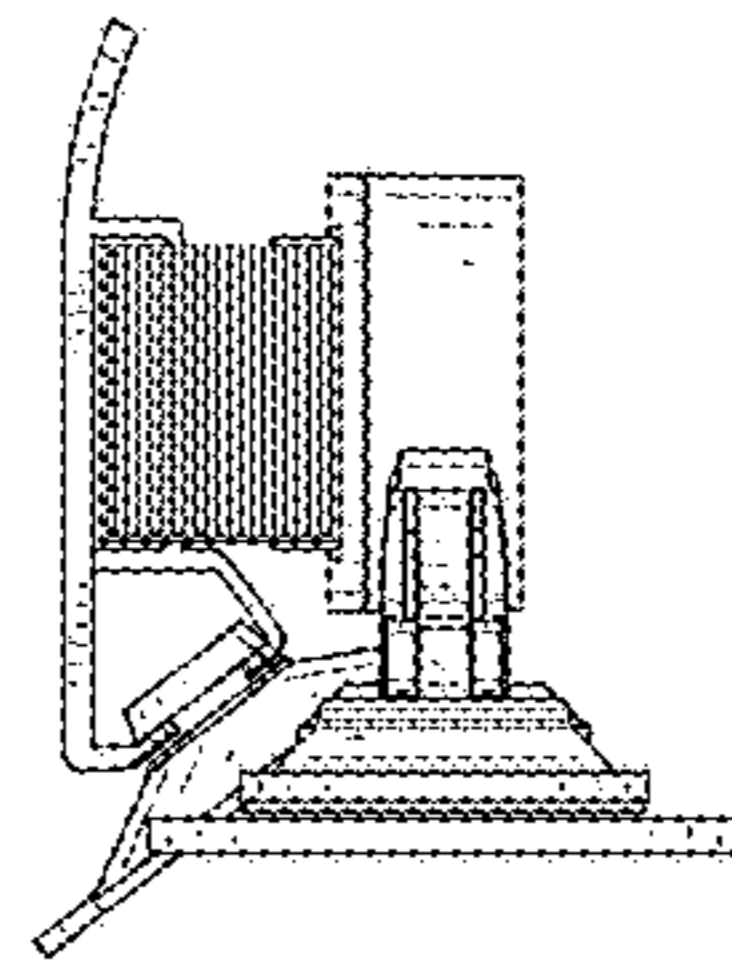


FIG. 5

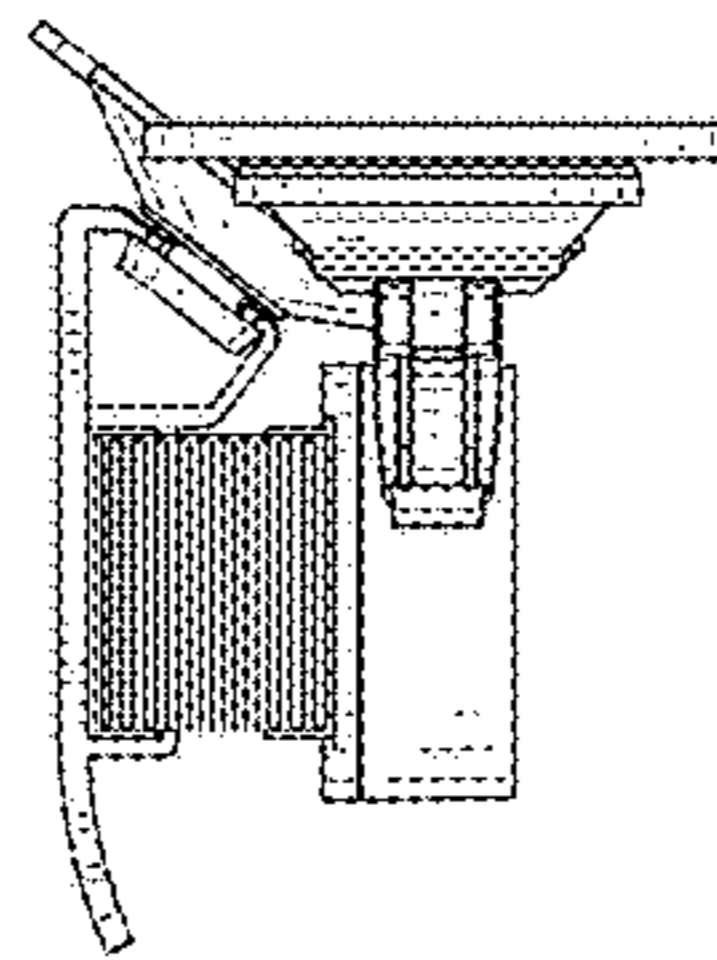


FIG. 6

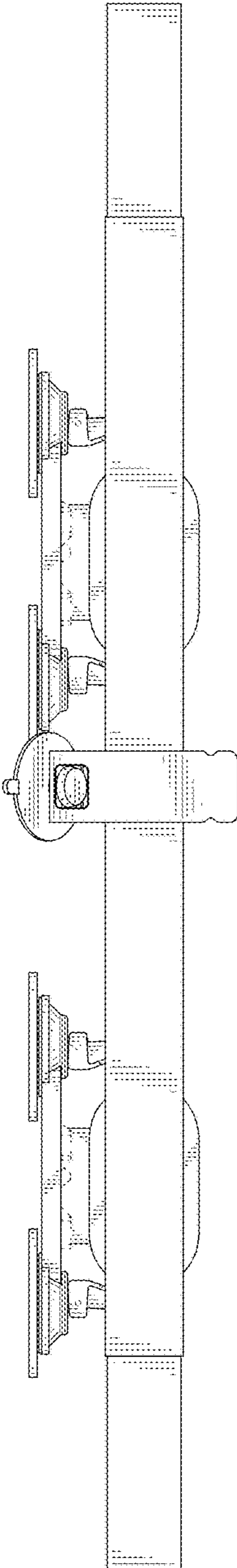


FIG. 7



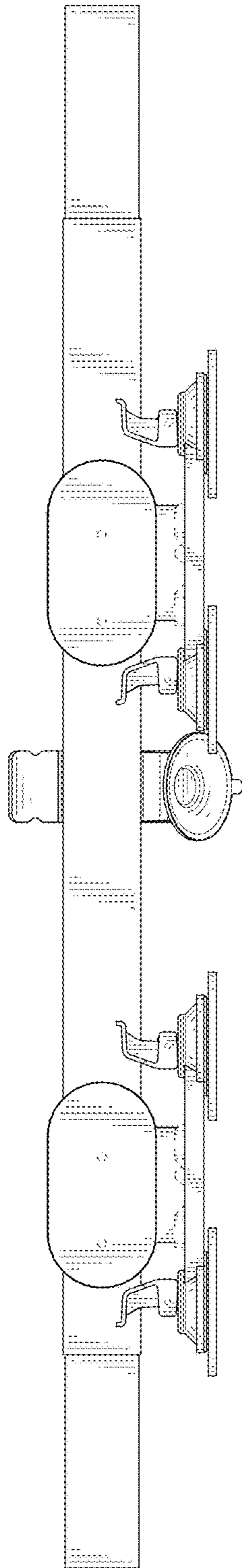


FIG. 8

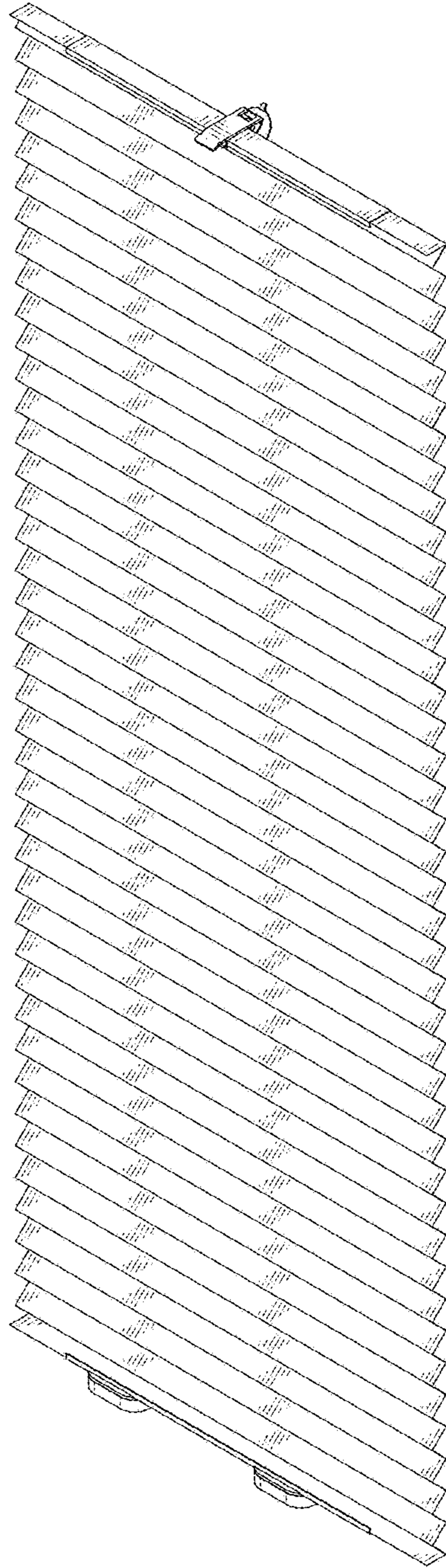


FIG. 9

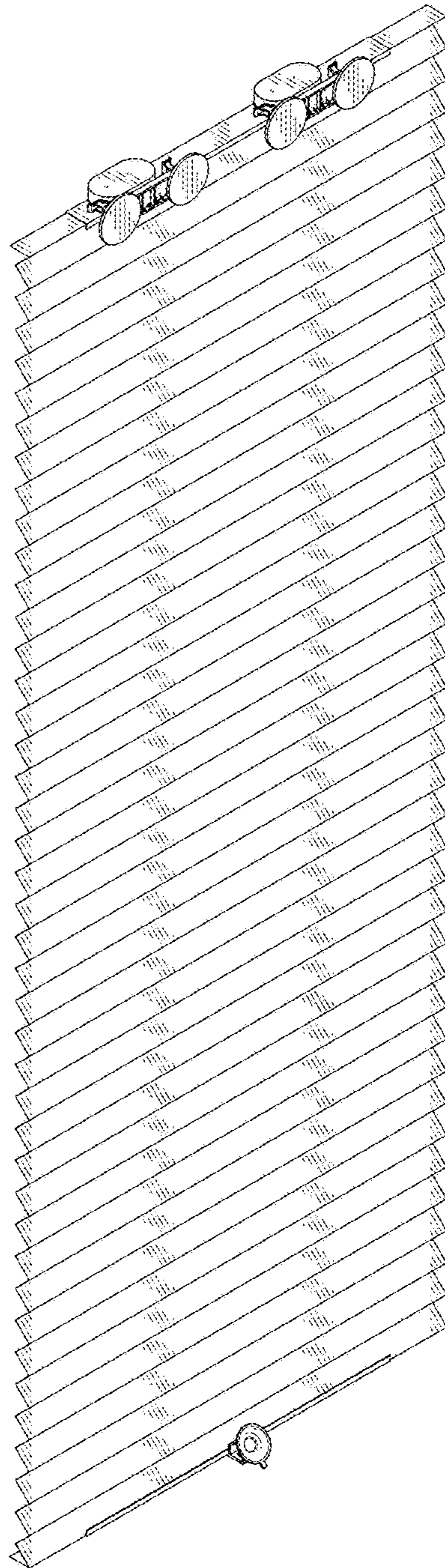


FIG. 10