



US00D852096S

(12) **United States Design Patent**  
**Kozub**

(10) **Patent No.:** **US D852,096 S**  
(45) **Date of Patent:** **\*\* Jun. 25, 2019**

- (54) **VEHICLE GRILLE COMPONENT**
- (71) Applicant: **GM GLOBAL TECHNOLOGY OPERATIONS LLC**, Detroit, MI (US)
- (72) Inventor: **Timothy P. Kozub**, Troy, MI (US)
- (73) Assignee: **GM GLOBAL TECHNOLOGY OPERATIONS LLC**, Detroit, MI (US)
- (\*\*) Term: **15 Years**
- (21) Appl. No.: **29/608,800**
- (22) Filed: **Jun. 26, 2017**
- (51) **LOC (11) Cl.** ..... **12-16**
- (52) **U.S. Cl.**  
USPC ..... **D12/163**
- (58) **Field of Classification Search**  
USPC ..... D12/86, 88, 90-92, 163, 169, 173, 196  
CPC ..... B62B 9/16; B60K 11/08; B60R 19/52  
See application file for complete search history.

- D608,249 S 1/2010 Peters
- D608,690 S 1/2010 Folden et al.
- D608,691 S 1/2010 Zak, Jr. et al.
- D609,608 S 2/2010 Boniface et al.
- D611,387 S 3/2010 Thompson et al.
- D611,879 S 3/2010 Kim et al.
- D612,297 S 3/2010 Peters et al.
- D613,645 S 4/2010 Song et al.
- D615,458 S 5/2010 Thompson et al.
- D618,595 S 6/2010 Ware et al.
- D623,090 S 9/2010 Cox et al.
- D627,262 S 11/2010 Ikeda et al.
- D635,488 S 4/2011 Phipps
- D644,147 S 8/2011 Suh et al.
- D644,567 S 9/2011 Kozub
- D657,718 S 4/2012 Zipfel et al.
- D659,052 S 5/2012 Ware et al.
- D659,053 S 5/2012 Ware et al.
- D668,182 S 10/2012 Barba Franco et al.
- D668,183 S 10/2012 Smart

(Continued)

*Primary Examiner* — Robin V Webster  
*Assistant Examiner* — Rachel Voorhies

(57) **CLAIM**

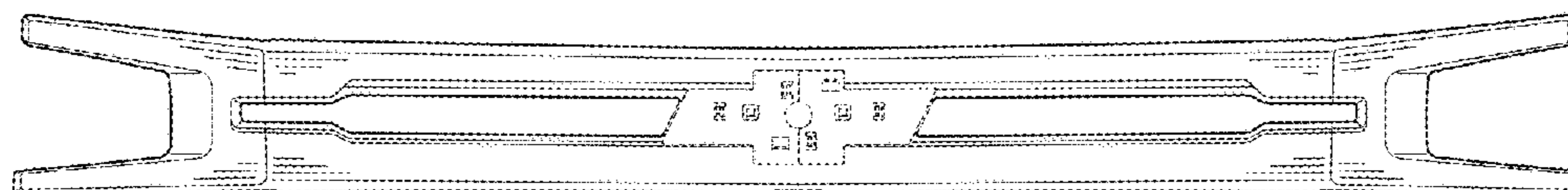
The ornamental design for a vehicle grille component, as shown and described.

**DESCRIPTION**

FIG. 1 is a perspective view of the vehicle grille component; FIG. 2 is a front view thereof; FIG. 3 is a left side view thereof (where the right side view is substantially a mirror image of the left side view with the exception of the vehicle emblem depicted in broken lines); and, FIG. 4 is a top view thereof. The broken lines in the drawings illustrate portions of the vehicle grille component that form no part of the claimed design.

**1 Claim, 2 Drawing Sheets**

- (56) **References Cited**  
U.S. PATENT DOCUMENTS
- D127,742 S \* 6/1941 Walker ..... 293/117
- D196,105 S \* 8/1963 Peras ..... D12/169
- D275,664 S \* 9/1984 Luthe ..... D12/196
- D304,563 S \* 11/1989 Ikeda ..... D12/163
- D525,175 S \* 7/2006 Konaka ..... D12/92
- D570,742 S 6/2008 Takagi et al.
- D592,105 S 5/2009 Dean et al.
- D597,447 S 8/2009 Folden
- D600,595 S 9/2009 Nakamura et al.
- D601,925 S 10/2009 O'Donnell
- D603,755 S 11/2009 Peters
- D604,203 S 11/2009 O'Donnell
- D605,082 S 12/2009 Munson
- D605,083 S 12/2009 Manoogian, II et al.
- D605,977 S 12/2009 Zipfel et al.
- D605,978 S 12/2009 Wolff et al.



(56)

References Cited

U.S. PATENT DOCUMENTS

D674,319 S	*	1/2013	Doyle	.....	D12/92	D749,985 S	2/2016	Kozub et al.			
D678,820 S		3/2013	Son et al.			D749,997 S	2/2016	McMahan et al.			
D678,821 S		3/2013	Ikeda et al.			D750,001 S	2/2016	Thole et al.			
D680,909 S		4/2013	Munson et al.			D753,032 S	4/2016	Smith et al.			
D680,910 S		4/2013	David			D753,033 S	4/2016	Thole et al.			
D684,899 S		6/2013	Baker			D753,034 S	4/2016	Thole et al.			
D684,900 S	*	6/2013	Doyle	.....	D12/92	D753,035 S	4/2016	Boniface et al.			
D686,536 S		7/2013	McCabe et al.			D753,559 S	4/2016	McMahan et al.			
D687,349 S	*	8/2013	Kruger	.....	D12/82	D753,560 S	4/2016	McMahan et al.			
D692,798 S		11/2013	Thurber			D753,567 S	4/2016	Boniface et al.			
D692,799 S		11/2013	Smith et al.			D754,571 S	4/2016	Boniface et al.			
D696,157 S		12/2013	Loeb			D754,572 S	4/2016	McMahan et al.			
D699,629 S		2/2014	Ikeda et al.			D755,088 S	5/2016	McMahan et al.			
D700,871 S		3/2014	O'Donnell et al.			D756,869 S	5/2016	McMahan et al.			
D703,103 S		4/2014	Lee			D758,271 S	6/2016	McMahan et al.			
D704,103 S		5/2014	Mack et al.			D764,975 S	8/2016	Aengenheyster			
D705,132 S		5/2014	Ware et al.			D764,976 S	8/2016	Aengenheyster			
D705,699 S		5/2014	Ware et al.			D767,449 S	9/2016	Pevovar et al.			
D712,789 S	*	9/2014	Bischoff	.....	D12/91	D767,450 S	9/2016	Lee et al.			
D713,298 S		9/2014	Dyson			D767,451 S	9/2016	Kozub et al.			
D713,764 S		9/2014	Ferlazzo et al.			D767,454 S	9/2016	McMahan et al.			
D716,696 S		11/2014	Thole et al.			D767,458 S	9/2016	Kim			
D716,706 S		11/2014	Thole et al.			D767,459 S	9/2016	Kim			
D716,709 S		11/2014	Thole et al.			D767,460 S	9/2016	Kozub et al.			
D717,696 S		11/2014	Thole et al.			D767,461 S	9/2016	Kozub et al.			
D718,189 S		11/2014	Krieg et al.			D771,528 S	11/2016	Smith et al.			
D718,683 S		12/2014	Thole et al.			D771,529 S	11/2016	Thole et al.			
D722,282 S		2/2015	Loeb			D771,532 S	11/2016	Kapitonov			
D722,533 S		2/2015	Thole et al.			D771,533 S	11/2016	Kapitonov			
D722,534 S		2/2015	Munson et al.			D772,766 S	11/2016	Kozub et al.			
D724,510 S		3/2015	McMahan et al.			D772,767 S	11/2016	Kim			
D725,001 S		3/2015	McMahan et al.			D773,084 S	11/2016	Kapitonov			
D726,591 S		4/2015	Jacob			D773,086 S	11/2016	McCabe et al.			
D730,776 S		6/2015	Smart			D773,346 S	*	12/2016	Frei	.....	D12/163
D730,783 S		6/2015	Henriques et al.			D774,226 S	12/2016	McCabe et al.			
D731,382 S	*	6/2015	Mana	.....	D12/196	D775,003 S	12/2016	Pevovar et al.			
D732,427 S		6/2015	Loeb			D775,007 S	12/2016	Thole et al.			
D732,429 S		6/2015	Loeb			D775,010 S	12/2016	Kim et al.			
D732,430 S		6/2015	Loeb			D775,049 S	12/2016	Scheer et al.			
D732,431 S		6/2015	Loeb			D775,549 S	1/2017	Karras			
D732,432 S		6/2015	Aengenheyster			D775,554 S	1/2017	Kapitonov			
D732,433 S		6/2015	Aengenheyster			D776,020 S	1/2017	Kapitonov			
D732,435 S		6/2015	Mackay			D776,581 S	1/2017	Pevovar et al.			
D733,002 S		6/2015	Loeb			D776,583 S	1/2017	Scheer et al.			
D733,621 S	*	7/2015	Ikuma	.....	D12/169	D776,841 S	1/2017	Kozub et al.			
D735,611 S		8/2015	Aengenheyster			D776,843 S	1/2017	McCabe et al.			
D735,627 S		8/2015	Smith			D776,846 S	1/2017	Willett et al.			
D736,451 S		8/2015	Smith			D777,359 S	1/2017	Kozub et al.			
D739,306 S		9/2015	McMahan et al.			D777,360 S	1/2017	Kozub et al.			
D739,317 S		9/2015	McMahan et al.			D777,361 S	1/2017	Kozub et al.			
D741,223 S		10/2015	Kim et al.			D777,604 S	1/2017	McNerney			
D743,309 S		11/2015	Thole et al.			D777,605 S	1/2017	Ferlazzo et al.			
D743,313 S		11/2015	Smith et al.			D777,613 S	*	1/2017	Rupar	.....	D12/163
D743,314 S		11/2015	Thole et al.			D777,620 S	1/2017	Pevovar et al.			
D743,857 S		11/2015	McMahan et al.			D777,621 S	1/2017	Kim			
D744,158 S		11/2015	Willett et al.			D777,622 S	1/2017	Kozub et al.			
D745,086 S		12/2015	Finos et al.			D777,628 S	1/2017	Kozub et al.			
D745,719 S		12/2015	Boniface et al.			D777,955 S	1/2017	Willett et al.			
D745,725 S		12/2015	McMahan et al.			D778,212 S	2/2017	Kozub et al.			
D745,726 S		12/2015	McMahan et al.			D778,215 S	2/2017	Kozub et al.			
D745,837 S		12/2015	Smith et al.			D780,064 S	2/2017	Smith et al.			
D746,726 S		1/2016	Smith et al.			D780,067 S	2/2017	Zipfel et al.			
D746,727 S		1/2016	Smith et al.			D780,068 S	2/2017	Whitla et al.			
D746,728 S		1/2016	Smith et al.			D780,077 S	2/2017	Kim et al.			
D746,729 S		1/2016	Boniface et al.			D780,081 S	2/2017	Lee			
D746,730 S		1/2016	Kim et al.			D780,084 S	2/2017	Scheer et al.			
D747,514 S		1/2016	McMahan et al.			D780,631 S	3/2017	Kozub et al.			
D747,515 S		1/2016	McMahan et al.			D780,644 S	3/2017	Kim et al.			
D747,819 S		1/2016	Thole et al.			D781,184 S	3/2017	Thole et al.			
D749,021 S		2/2016	Boniface et al.			D781,192 S	3/2017	Kozub et al.			
D749,026 S		2/2016	Smith et al.			D782,379 S	3/2017	Wassell			
D749,027 S		2/2016	McMahan et al.			D783,482 S	4/2017	Smith et al.			
D749,246 S		2/2016	Thole et al.			D784,213 S	4/2017	Karras			
D749,249 S		2/2016	Thole et al.			D784,223 S	4/2017	Lee			
D749,250 S		2/2016	Thole et al.			D784,226 S	4/2017	Cheng			
						D784,579 S	4/2017	Cheng et al.			
						D784,877 S	4/2017	Lee			
						D784,886 S	4/2017	Smith et al.			
						D785,521 S	5/2017	Smith et al.			

(56)

**References Cited**

U.S. PATENT DOCUMENTS

D786,149 S	5/2017	Pevovar et al.	
D786,743 S	5/2017	Smith et al.	
D786,750 S	5/2017	Lee	
D787,446 S	5/2017	Cockerill	
D787,984 S	5/2017	Fang	
D787,988 S	5/2017	Lee	
D787,989 S	5/2017	Kozub et al.	
D787,990 S	5/2017	Kozub et al.	
D787,992 S	5/2017	Lee	
D787,993 S	5/2017	McCabe et al.	
D788,001 S	5/2017	Lee	
D788,641 S	6/2017	Arnold	
D788,644 S	6/2017	Mueller	
D788,645 S	6/2017	Mueller	
D789,250 S	6/2017	Arnold	
D789,260 S	6/2017	Smith et al.	
D789,575 S	6/2017	Willett	
D789,841 S	6/2017	Malczewski	
D789,849 S	6/2017	Lee	
D795,762 S *	8/2017	Lee .....	D12/163
D796,397 S *	9/2017	Badstuebner .....	D12/169
D813,733 S *	3/2018	Lee .....	D12/163
D823,183 S *	7/2018	Yates .....	D12/163

\* cited by examiner

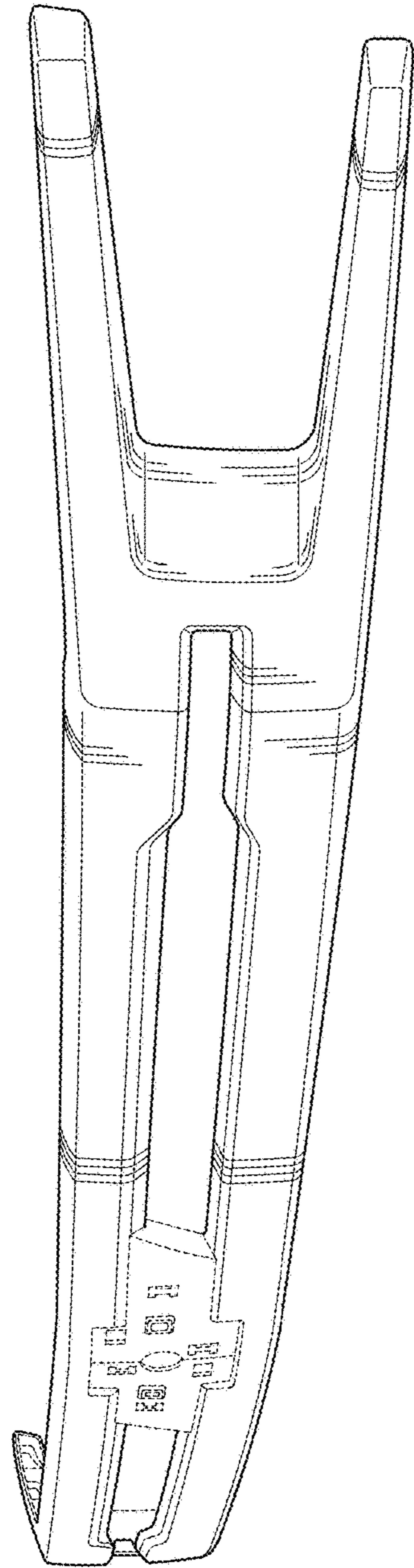


FIG. 1

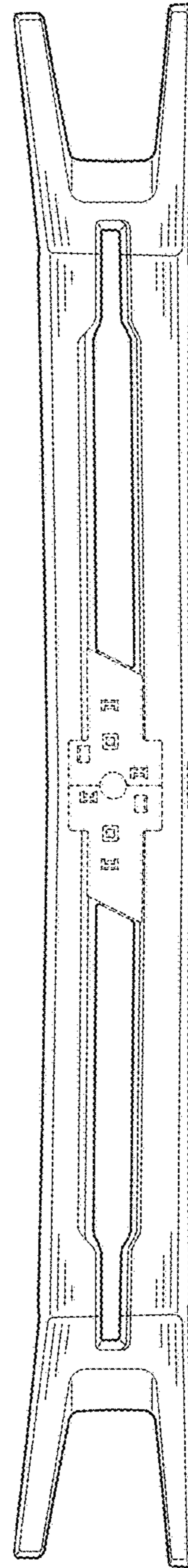


FIG. 2

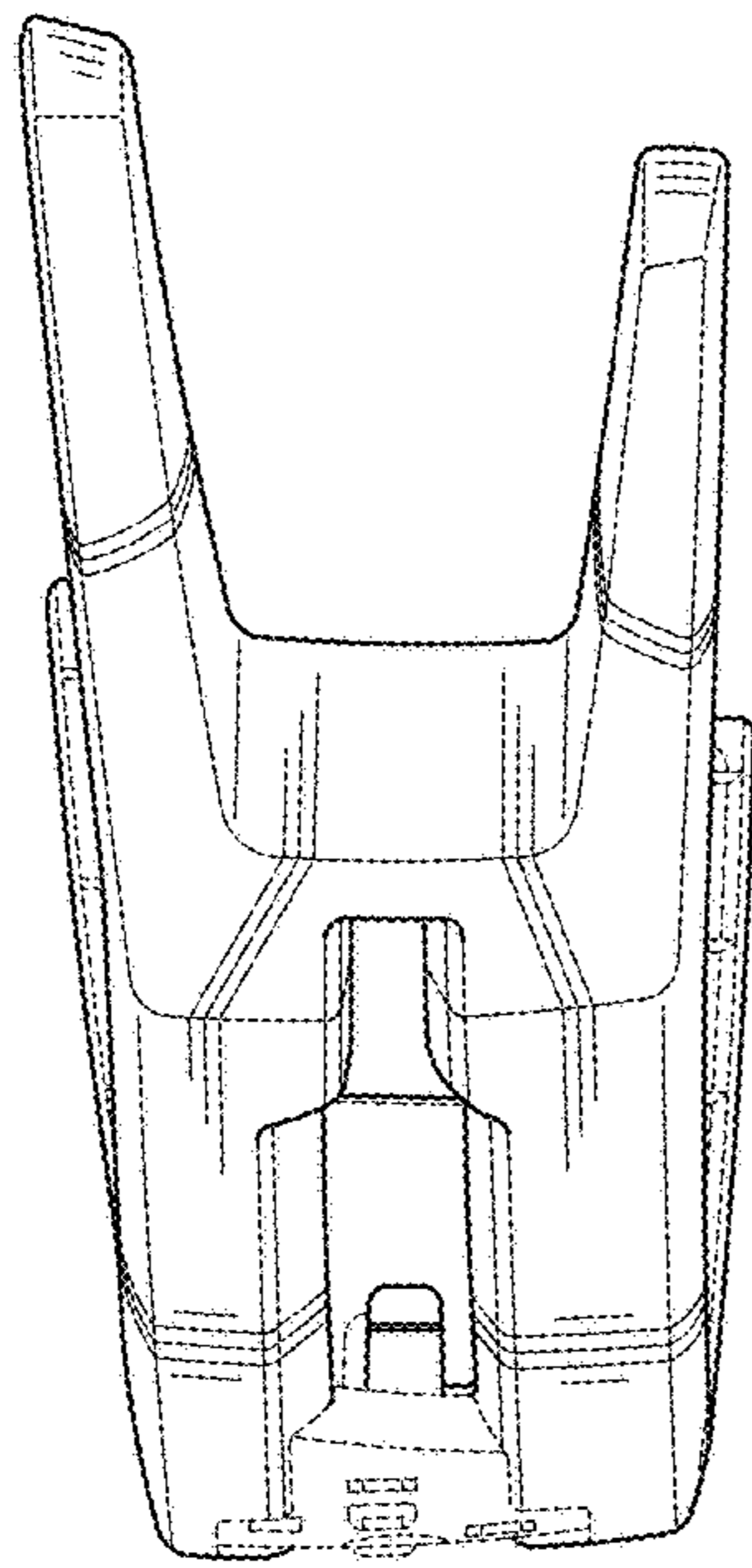


FIG. 3

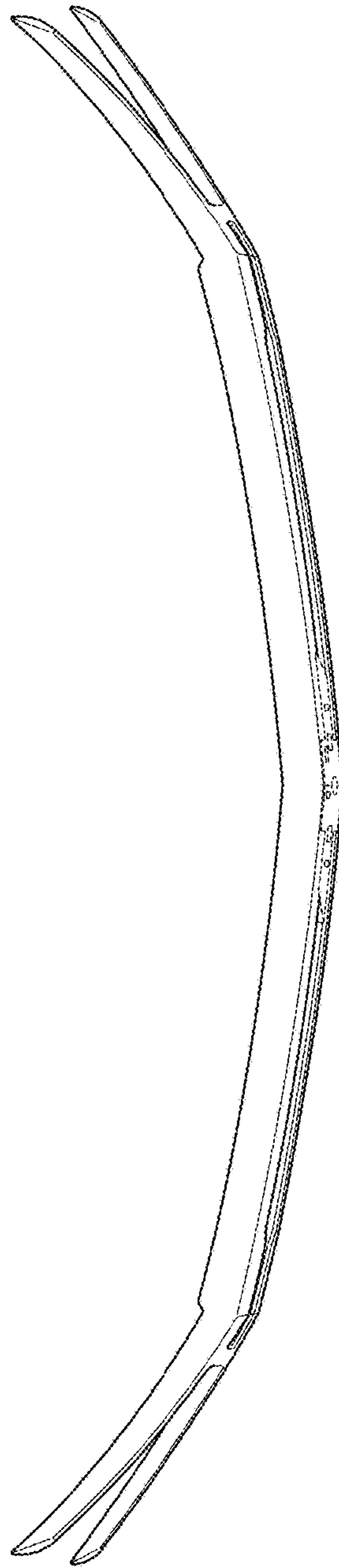


FIG. 4