

US00D852095S

(12) **United States Design Patent** (10) **Patent No.:** **US D852,095 S**  
**Walter** (45) **Date of Patent:** **\*\* Jun. 25, 2019**

(54) **TRAILER HITCH DRAW BAR ASSEMBLY**

D832,156 S \* 10/2018 Johns ..... D12/162  
D832,749 S \* 11/2018 McCuskey ..... B60D 1/06

(71) Applicant: **John Walter**, Florissant, MO (US)

D834,464 S \* 11/2018 Cincunegui ..... D12/162

(72) Inventor: **John Walter**, Florissant, MO (US)

D841,526 S \* 2/2019 Siegel ..... D12/162

(\*\*) Term: **15 Years**

2007/0108731 A1 5/2007 McBroom  
2008/0168929 A1 7/2008 Thompson  
2011/0248228 A1 10/2011 Gause

(21) Appl. No.: **29/650,053**

\* cited by examiner

(22) Filed: **Jun. 4, 2018**

*Primary Examiner* — Katrina A Betton  
(74) *Attorney, Agent, or Firm* — Global Intellectual Property Agency, LLC; Daniel Boudwin

**Related U.S. Application Data**

(63) Continuation-in-part of application No. 15/208,130, filed on Jul. 12, 2016, now abandoned.

(51) **LOC (11) Cl.** ..... **12-16**

(52) **U.S. Cl.**  
USPC ..... **D12/162**

(58) **Field of Classification Search**  
CPC . B60D 1/60; B60D 1/065; B60D 1/00; B60D 1/06

See application file for complete search history.

(56) **References Cited**

**U.S. PATENT DOCUMENTS**

5,072,962 A 12/1991 Webb  
6,386,514 B1 5/2002 Ray  
6,634,588 B1 10/2003 Jackson  
7,770,870 B1 8/2010 Fly  
D697,838 S \* 1/2014 Borkholder ..... B60R 9/06  
D12/162  
D699,098 S \* 2/2014 Fretz ..... D8/367  
D727,803 S \* 4/2015 Borkholder ..... F16B 45/02  
D12/162  
D729,703 S \* 5/2015 Song ..... D12/162  
D790,408 S \* 6/2017 Wymore ..... D12/162  
D794,515 S \* 8/2017 McCuskey ..... D12/162  
D794,516 S \* 8/2017 Siegel ..... D12/162  
D795,756 S \* 8/2017 McCuskey ..... B60D 1/06  
D12/162  
D797,008 S \* 9/2017 Borkholder ..... B66C 1/34  
D12/162

(57) **CLAIM**

The ornamental design for the trailer hitch draw bar assembly, as shown and described.

**DESCRIPTION**

FIG. 1 shows a perspective view of a trailer hitch draw bar assembly;

FIG. 2 shows a front view of the trailer hitch draw bar assembly;

FIG. 3 shows a rear view of the trailer hitch draw bar assembly;

FIG. 4 shows a right side view of the trailer hitch draw bar assembly;

FIG. 5 shows a left side view of the trailer hitch draw bar assembly;

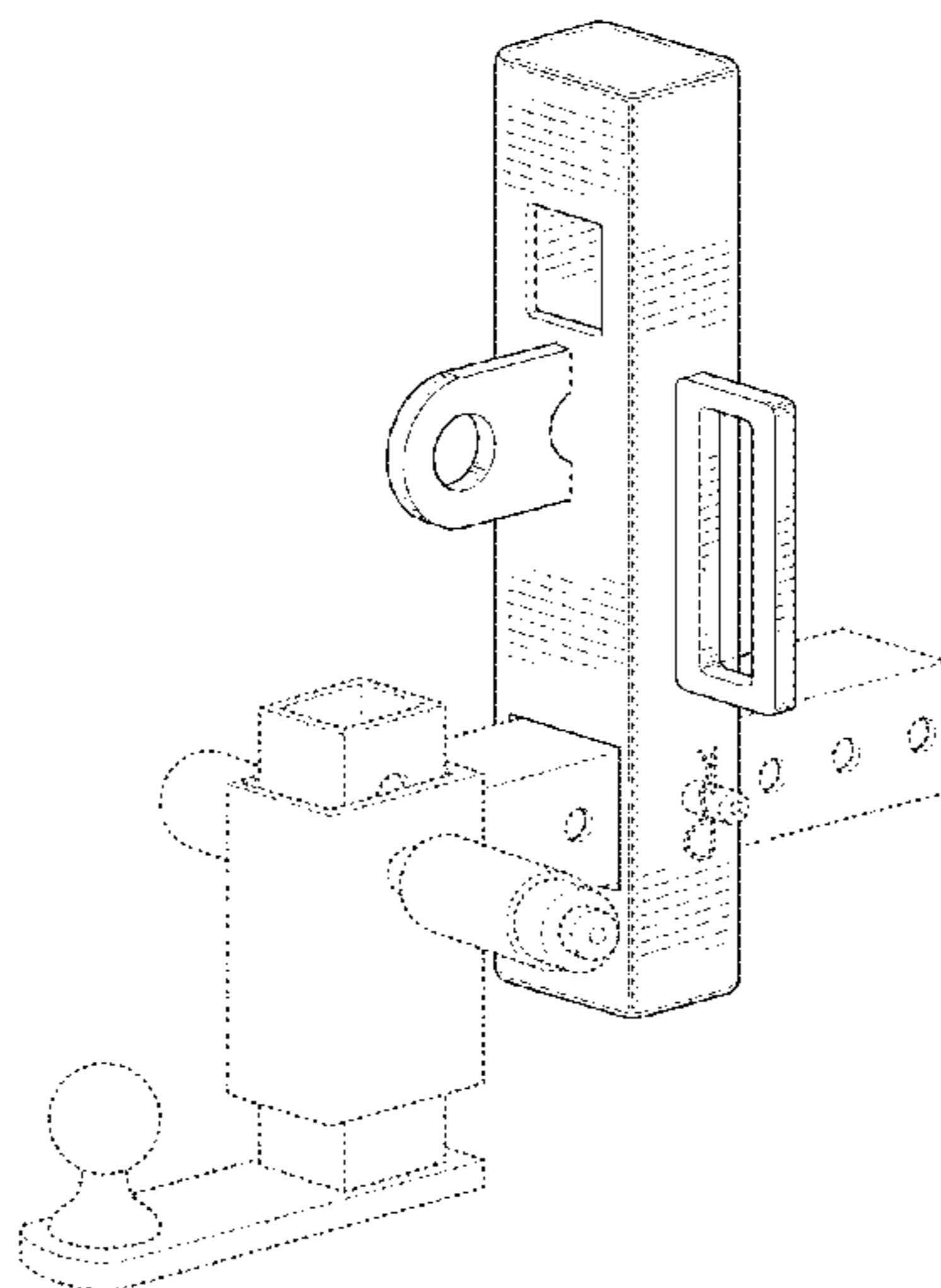
FIG. 6 shows a top plan view of the trailer hitch draw bar assembly; and,

FIG. 7 shows a bottom plan view of the trailer hitch draw bar assembly.

The shade lines in the Figures show contour and not surface ornamentation.

The broken lines shown in the Figures show portions of the trailer hitch draw bar assembly which form no part of the claimed design.

**1 Claim, 6 Drawing Sheets**



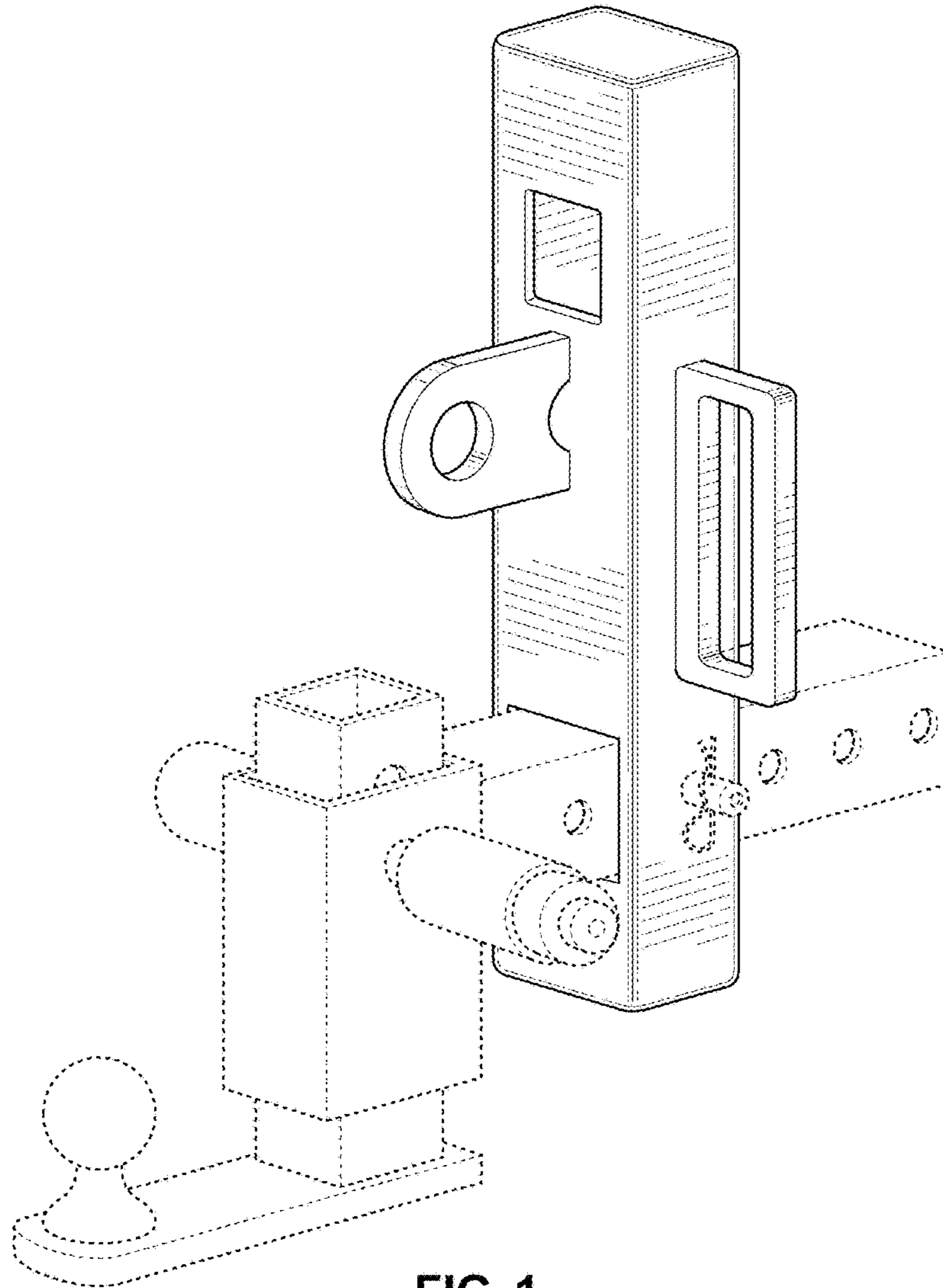


FIG. 1

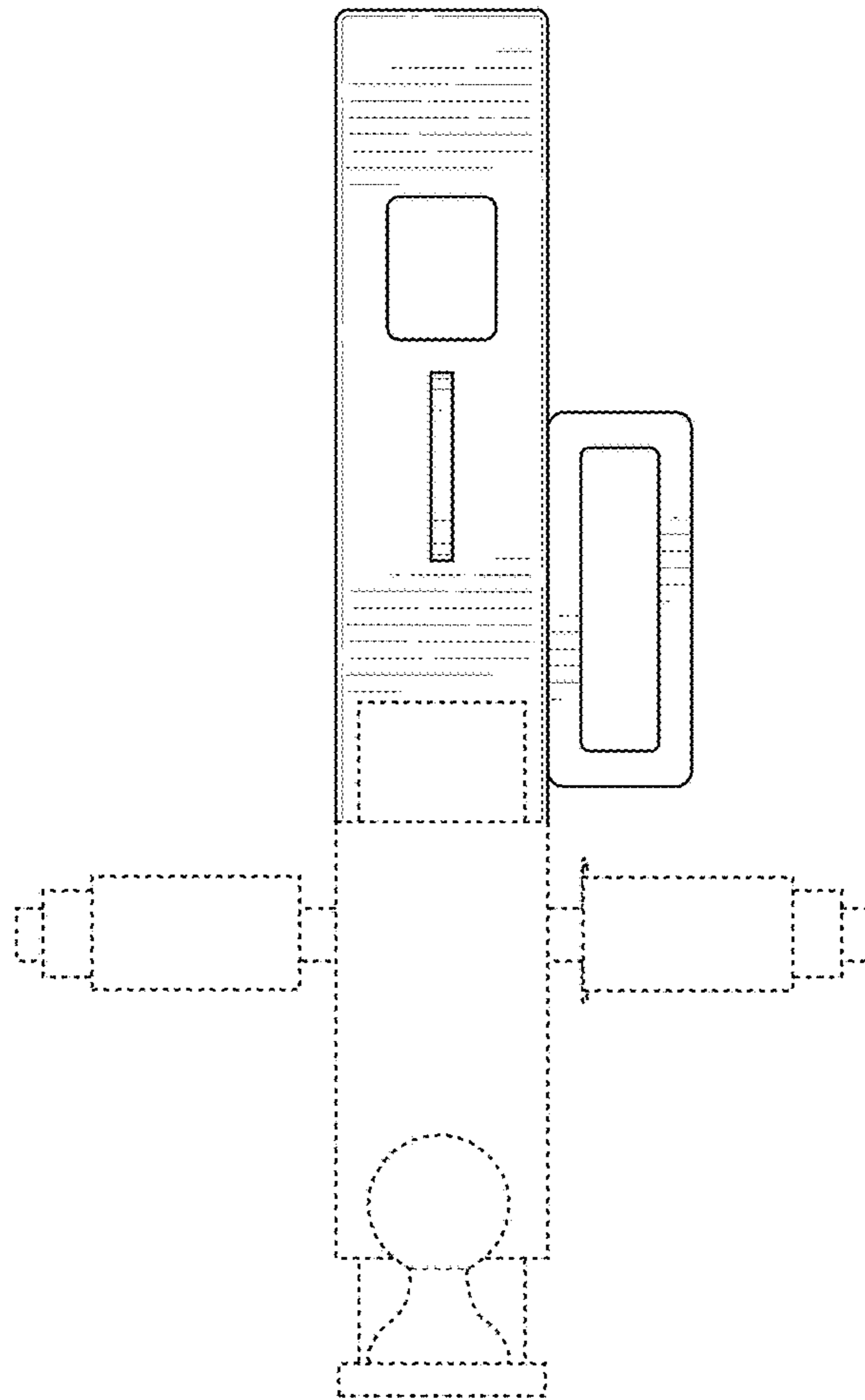


FIG. 2

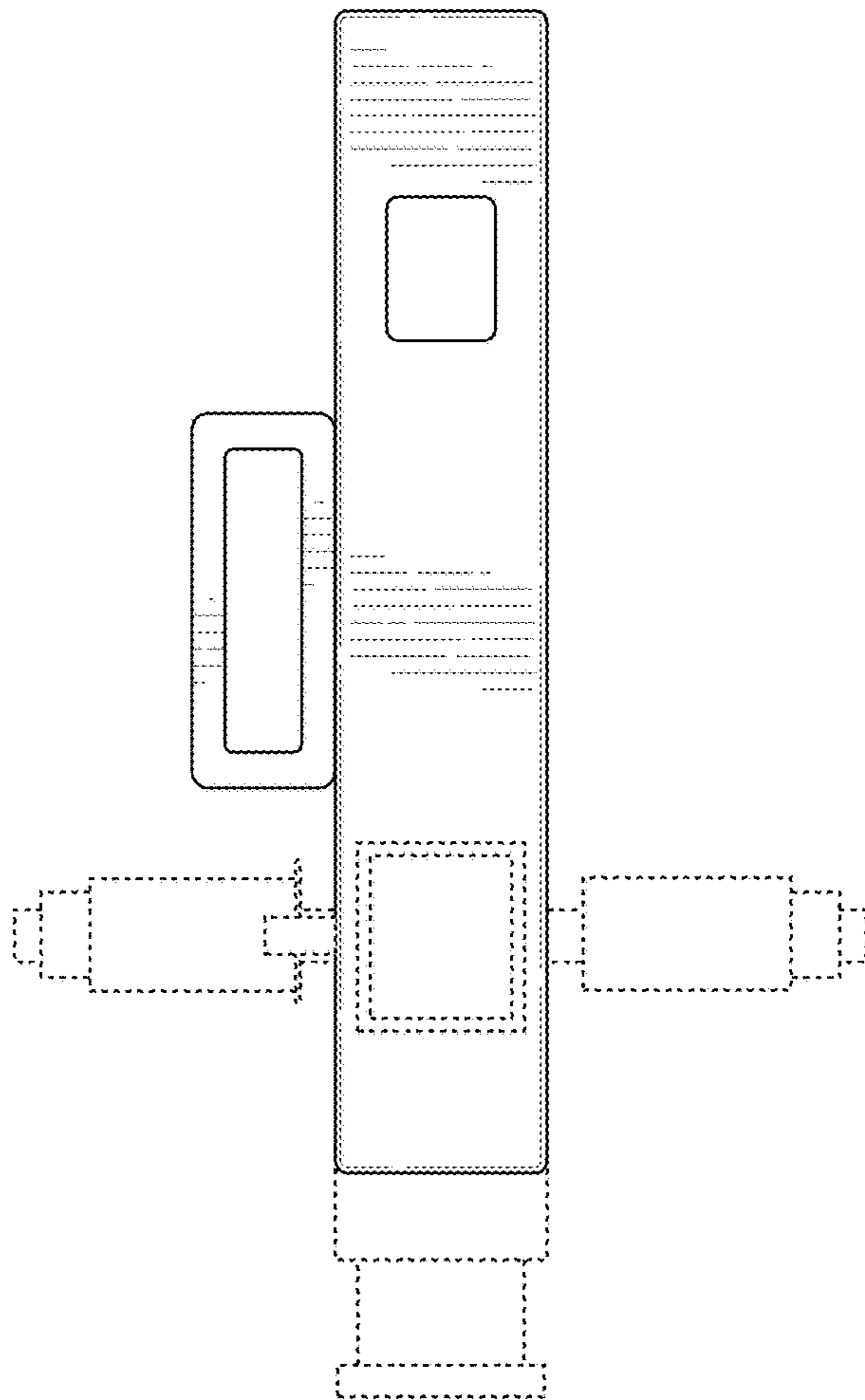


FIG. 3

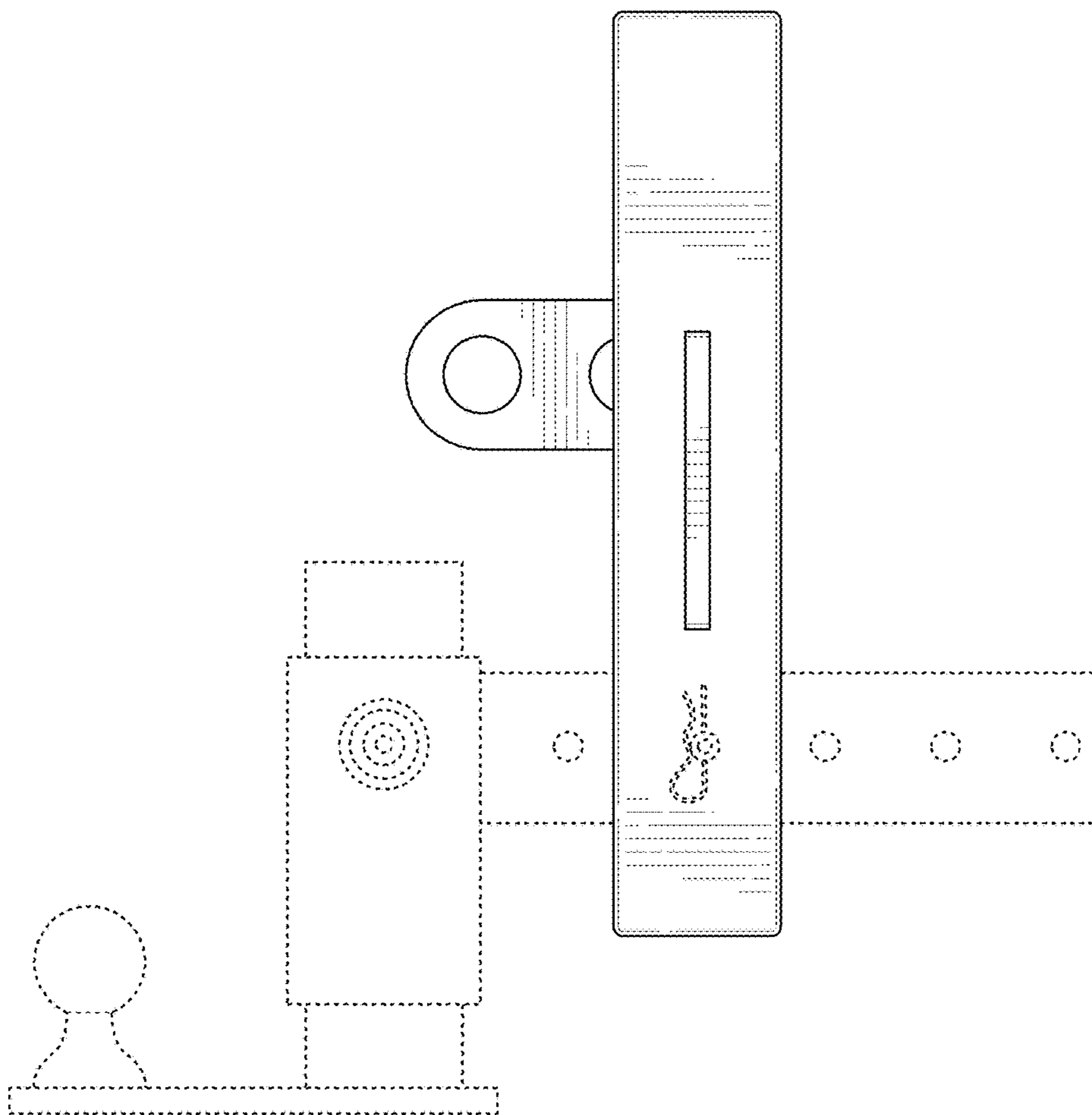


FIG. 4

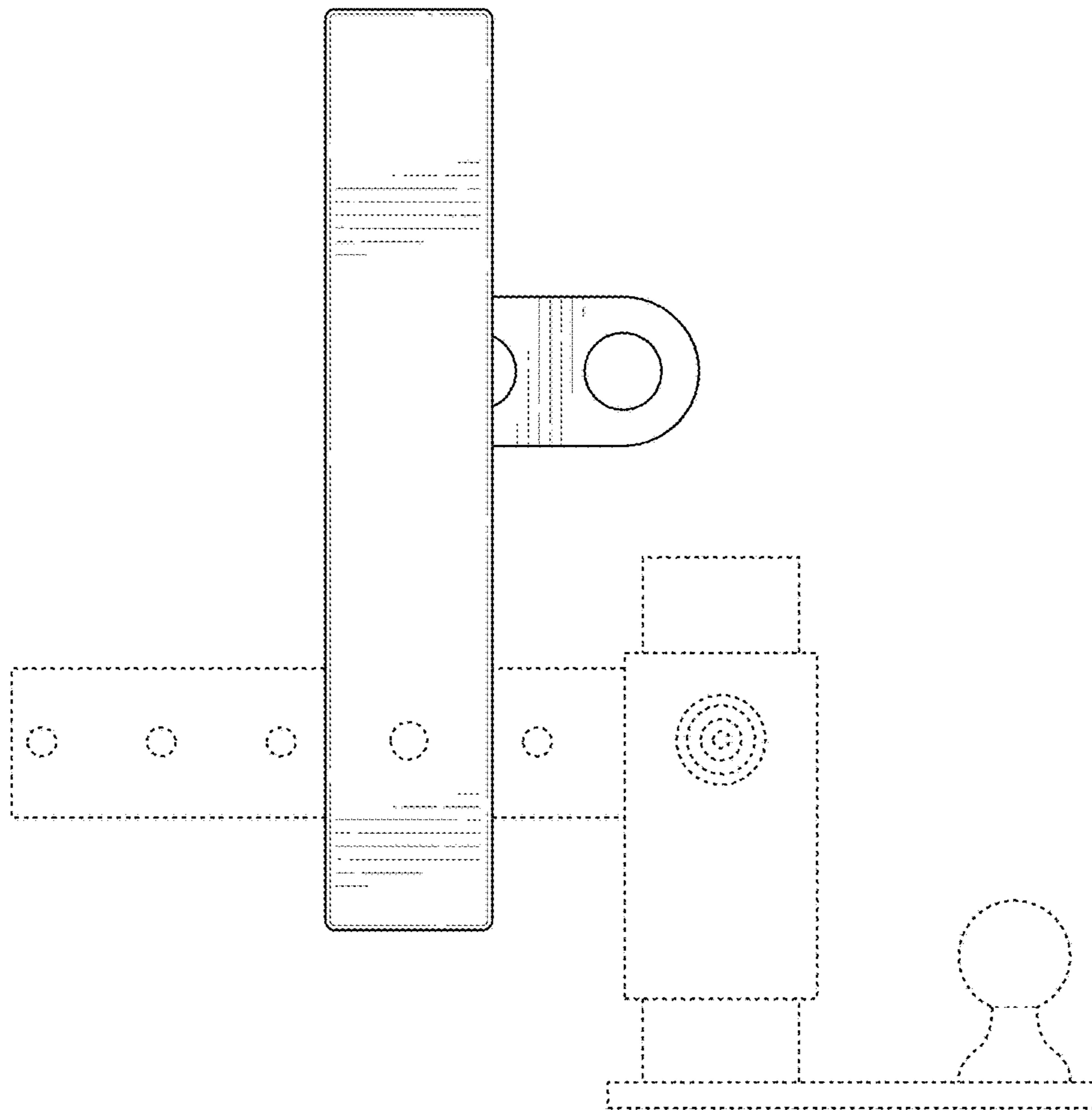


FIG. 5

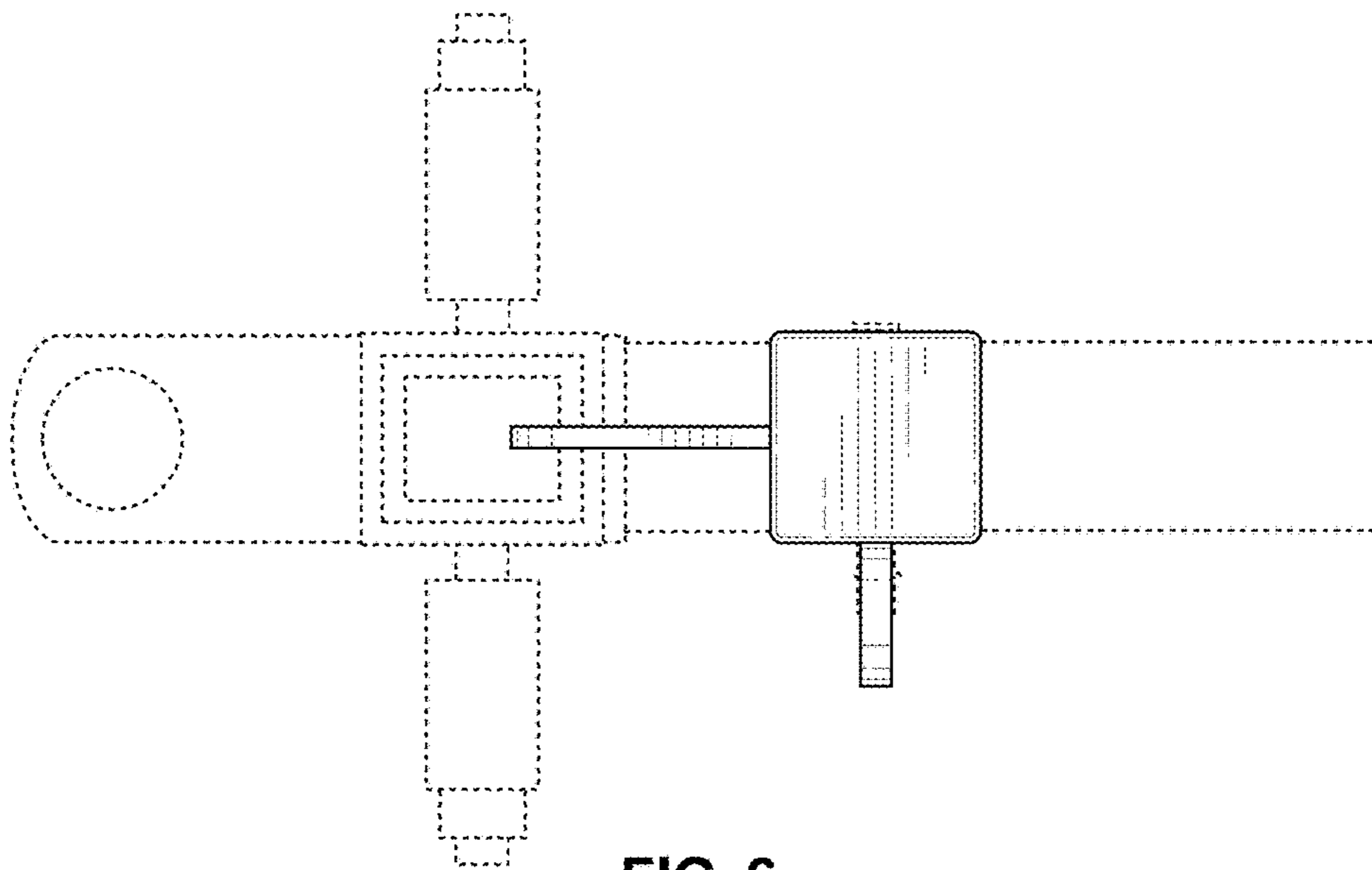


FIG. 6

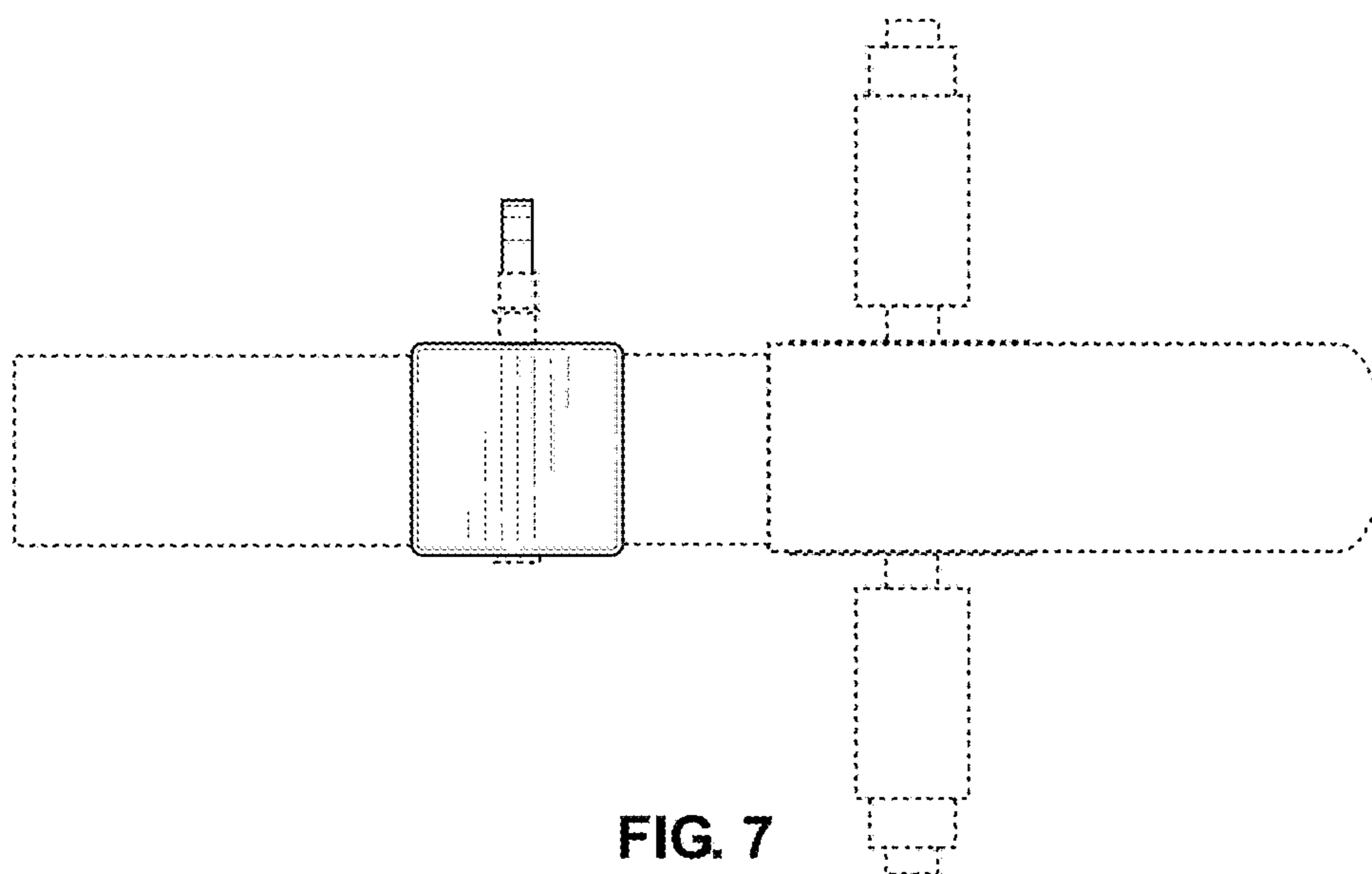


FIG. 7