



US00D852091S

(12) **United States Design Patent** (10) **Patent No.:** **US D852,091 S**
Tompkin (45) **Date of Patent:** **** Jun. 25, 2019**

(54) **DRONE**
(71) Applicant: **MerchSource, LLC**, Irvine, CA (US)
(72) Inventor: **Crispian Tompkin**, Los Angeles, CA (US)

8,052,081 B2 11/2011 Olm et al.
8,106,748 B2 1/2012 Lee
D659,771 S * 5/2012 Seydoux D21/441
8,175,763 B2 5/2012 Yamane et al.
8,214,088 B2 7/2012 Lefebure
8,265,808 B2 9/2012 Garrec et al.
8,292,215 B2 10/2012 Olm et al.

(Continued)

(73) Assignee: **MerchSource, LLC**, Irvine, CA (US)

(**) Term: **15 Years**

FOREIGN PATENT DOCUMENTS

(21) Appl. No.: **29/611,296**

WO 2015126447 A1 8/2015

(22) Filed: **Jul. 20, 2017**

OTHER PUBLICATIONS

(51) **LOC (11) Cl.** **12-07**

(52) **U.S. Cl.**

USPC **D12/16.1**; D21/436

(58) **Field of Classification Search**

USPC D12/16.1, 319-345; D21/436, 438, 441,
D21/442, 443, 444, 447, 448, 449, 450,
D21/451, 452, 454

CPC ... B64C 29/00; B64C 2201/141; B64C 27/24;
B64C 27/30; B64C 39/04

See application file for complete search history.

Sharper Image 10 in. Lunar Drone with Camera Streaming by Kohl's. dated Dec. 22, 2017. found online [Oct. 25, 2018] https://www.kohls.com/product/prd-2978559/the-sharper-innage-10-in-lunar-drone-with-cannera-streaming.jsp?skuid=84227756&ci_mcc=ci&utm_campaign=ELECTRONICS&utm_medium=CSE&utm_source=bing&CID=shopping20&utm.*

Primary Examiner — Brandon M Rosati

Assistant Examiner — Marissa J Cash

(74) *Attorney, Agent, or Firm* — Avyno Law P.C.

(56) **References Cited**

(57) **CLAIM**

U.S. PATENT DOCUMENTS

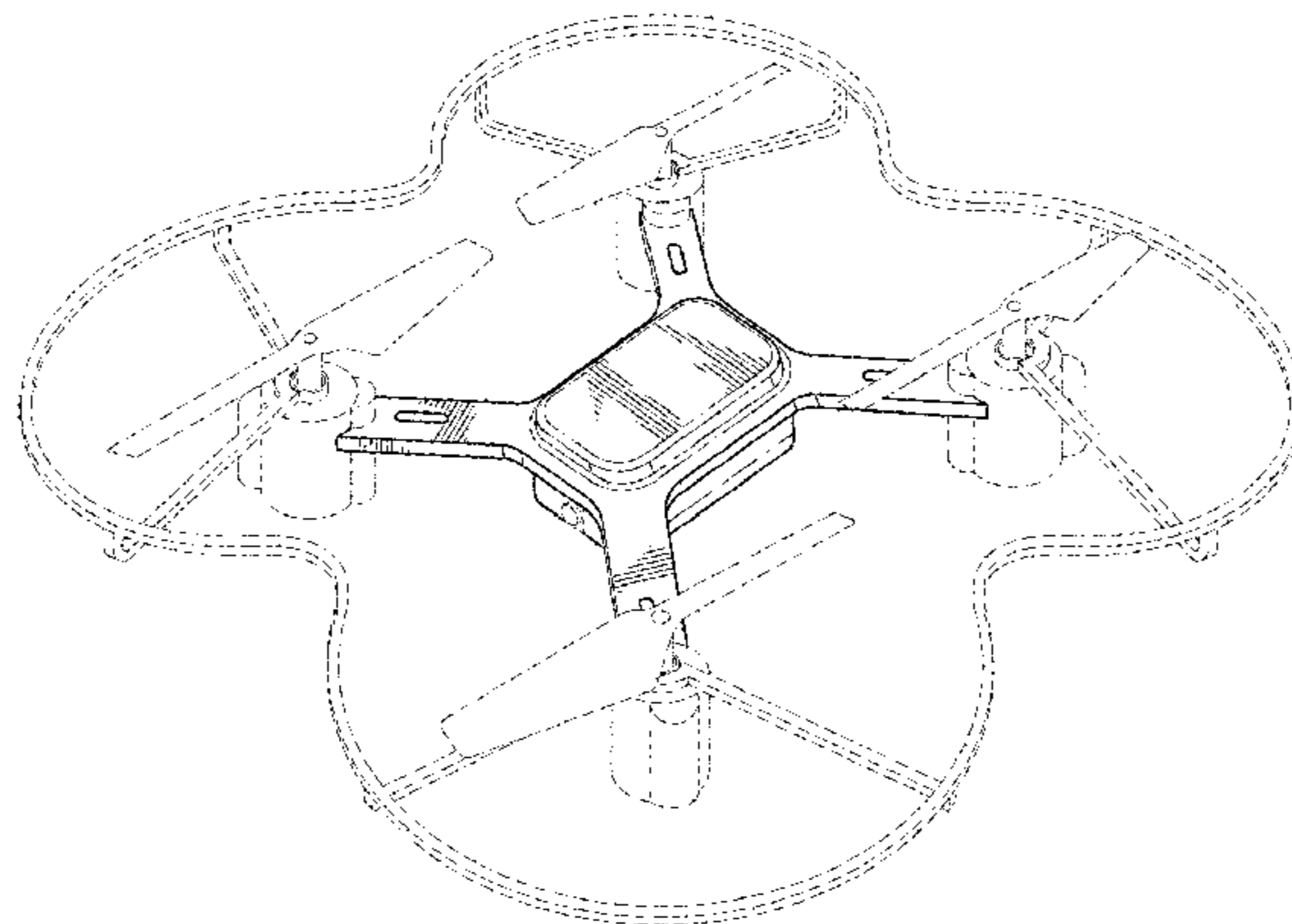
I claim the ornamental design for a drone, as shown and described.

2,478,847 A 8/1949 Stuart, III
D189,462 S * 12/1960 Vogt D12/329
3,053,480 A 9/1962 Vanderlip
D197,038 S * 12/1963 Howard, Jr. et al. D12/329
4,161,843 A 7/1979 Hui
5,043,646 A 8/1991 Smith, III et al.
5,738,300 A 4/1998 Durand
7,302,316 B2 11/2007 Beard et al.
7,364,114 B2 4/2008 Wobben
7,400,950 B2 7/2008 Reich
7,407,424 B2 * 8/2008 Choi G01S 5/26
446/175
7,472,863 B2 1/2009 Pak
7,584,071 B2 9/2009 Lee
7,699,260 B2 4/2010 Hughey
D628,658 S * 12/2010 Wurm D21/442
7,959,104 B2 6/2011 Kuntz
D648,809 S * 11/2011 Seydoux D21/441

DESCRIPTION

FIG. 1 is a top perspective view of a drone.
FIG. 2 is a top view of the drone of FIG. 1.
FIG. 3 is a bottom view of the drone of FIG. 1.
FIG. 4 is a side view of the left side of the drone of FIG. 1.
FIG. 5 is a side view of the right side of the drone of FIG. 1.
FIG. 6 is a front view of the drone of FIG. 1; and,
FIG. 7 is a rear view of the drone of FIG. 1.
In the drawings, the broken lines depict portions of the drone that form no part of the claimed design.

1 Claim, 5 Drawing Sheets



(56)

References Cited

U.S. PATENT DOCUMENTS

8,322,648 B2 12/2012 Kroetsch et al.
 8,328,128 B2 12/2012 Wiggerich
 8,328,130 B2 12/2012 Goossen
 8,594,862 B2 11/2013 Callou et al.
 D708,272 S * 7/2014 Schmelter D12/16.1
 8,774,982 B2 7/2014 Oakley et al.
 D710,454 S 8/2014 Barajas et al.
 8,794,564 B2 8/2014 Hutson
 8,794,566 B2 8/2014 Hutson
 8,827,200 B2 9/2014 Radu
 8,931,730 B2 1/2015 Wang et al.
 8,973,861 B2 3/2015 Zhou et al.
 8,983,684 B2 3/2015 Callou et al.
 8,991,740 B2 3/2015 Olm et al.
 9,004,973 B2 4/2015 Condon et al.
 9,016,617 B2 4/2015 Wang et al.
 9,020,666 B2 4/2015 Ohtomo et al.
 9,051,043 B1 * 6/2015 Peeters B64C 19/00
 9,051,050 B2 6/2015 Achteлик et al.
 9,061,558 B2 6/2015 Kalantari et al.
 9,145,207 B2 9/2015 Moschetta et al.
 D741,751 S * 10/2015 Klaptocz D12/16.1
 D745,435 S * 12/2015 Park D12/16.1
 9,199,733 B2 12/2015 Keennon et al.
 9,221,536 B2 12/2015 Wang et al.
 D747,775 S * 1/2016 Colin D12/16.1
 9,260,184 B2 2/2016 Olm et al.
 D751,025 S * 3/2016 Howell D12/16.1
 D756,842 S * 5/2016 Ashjaee D12/16.1
 9,364,766 B2 6/2016 Mielniczek
 D761,690 S * 7/2016 Friesmuth D12/16.1
 D767,043 S * 9/2016 Morrison D12/16.1
 D776,569 S * 1/2017 Baruchin D12/16.1
 D776,570 S * 1/2017 Baruchin D12/16.1
 D780,062 S * 2/2017 Wu D12/16.1
 D784,854 S * 4/2017 Huang D12/16.1
 9,632,509 B1 * 4/2017 Apek B64C 39/024
 D787,372 S * 5/2017 Ketcher D12/16.1
 D789,248 S * 6/2017 Ketcher D12/16.1
 D789,457 S * 6/2017 McCartin D21/453
 D795,967 S * 8/2017 Haley D12/16.1
 9,738,381 B1 * 8/2017 Loud B64C 39/024
 D796,414 S * 9/2017 Fenny D12/328
 D797,859 S * 9/2017 Caubel D21/441
 D798,961 S * 10/2017 Li D21/441
 D800,016 S * 10/2017 Huang D12/16.1
 D806,607 S * 1/2018 Zhydanov D12/16.1
 D808,301 S * 1/2018 Goldy D12/16.1
 D808,329 S * 1/2018 Parks D12/328
 D810,653 S * 2/2018 Hu D12/327
 D813,723 S * 3/2018 Ahn D12/16.1
 D814,972 S * 4/2018 Ahn D12/16.1
 D816,581 S * 5/2018 Zhao D12/328
 D816,583 S * 5/2018 Dutertre D12/328
 D818,874 S * 5/2018 Tian D12/16.1
 D820,158 S * 6/2018 Jeong D12/16.1

10,023,323 B1 * 7/2018 Roberts B64D 43/00
 10,023,326 B2 * 7/2018 Byers B64C 39/024
 D825,379 S * 8/2018 Gury D12/16.1
 D825,380 S * 8/2018 Tompkin D12/16.1
 D826,778 S * 8/2018 Wang D12/16.1
 10,040,544 B2 * 8/2018 Marcel B64C 27/08
 D830,229 S * 10/2018 Lutterodt D12/16.1
 2002/0104922 A1 8/2002 Nakamura
 2007/0105474 A1 * 5/2007 Gotou A63H 27/02
 446/37
 2008/0006737 A1 1/2008 Aircraft
 2008/0048065 A1 * 2/2008 Kuntz A63H 17/00
 244/17.23
 2010/0044499 A1 2/2010 Dragan et al.
 2010/0243794 A1 9/2010 Jermyn
 2011/0049290 A1 3/2011 Seydoux et al.
 2011/0221692 A1 * 9/2011 Seydoux A63H 27/12
 345/173
 2011/0226892 A1 9/2011 Crowther et al.
 2012/0241555 A1 * 9/2012 Savoye A63H 27/12
 244/54
 2014/0043493 A1 2/2014 Bateman et al.
 2014/0263822 A1 9/2014 Malveaux
 2015/0051755 A1 2/2015 Erhart et al.
 2015/0057844 A1 * 2/2015 Callou G05D 1/0204
 701/3
 2015/0149000 A1 * 5/2015 Rischmuller B64C 39/024
 701/7
 2015/0331427 A1 * 11/2015 Chaudary B64C 39/024
 244/17.13
 2016/0068261 A1 * 3/2016 Niederberger B64C 39/024
 244/2
 2016/0100093 A1 4/2016 Schield et al.
 2016/0104384 A1 4/2016 Hanel et al.
 2016/0272312 A1 * 9/2016 Mallard B64C 29/0033
 2016/0332851 A1 * 11/2016 Bialkowski B64C 39/024
 2016/0376004 A1 * 12/2016 Claridge B64C 19/00
 701/3
 2017/0073070 A1 * 3/2017 Xing B64C 39/024
 2017/0084181 A1 * 3/2017 Wilson G08G 5/0069
 2017/0113816 A1 * 4/2017 High B64C 39/022
 2017/0144751 A1 * 5/2017 Yu B64C 27/001
 2017/0174316 A1 * 6/2017 Huddleston, Jr. B64C 11/00
 2017/0174317 A1 * 6/2017 Beckman B64C 11/00
 2017/0197731 A1 * 7/2017 Yang B64F 1/04
 2017/0267334 A1 * 9/2017 Tsai G06T 7/11
 2017/0274983 A1 * 9/2017 Beckman B64C 11/48
 2017/0277187 A1 * 9/2017 Refai G06T 7/30
 2017/0291700 A1 * 10/2017 Mohyi B64C 27/20
 2017/0293884 A1 * 10/2017 Cheatham G06Q 10/0835
 2017/0313418 A1 * 11/2017 Yoon B64C 27/08
 2017/0341776 A1 * 11/2017 McClure B64D 47/08
 2018/0029704 A1 * 2/2018 Milani B64C 29/0033
 2018/0037317 A1 * 2/2018 Ichihara B64C 27/08
 2018/0072428 A1 * 3/2018 Adachi B64C 39/02
 2018/0105271 A1 * 4/2018 Wypyszynski B64D 1/02
 2018/0208070 A1 * 7/2018 Sanchez B60L 11/1824
 2018/0217614 A1 * 8/2018 Salas-Moreno B64C 39/024

* cited by examiner

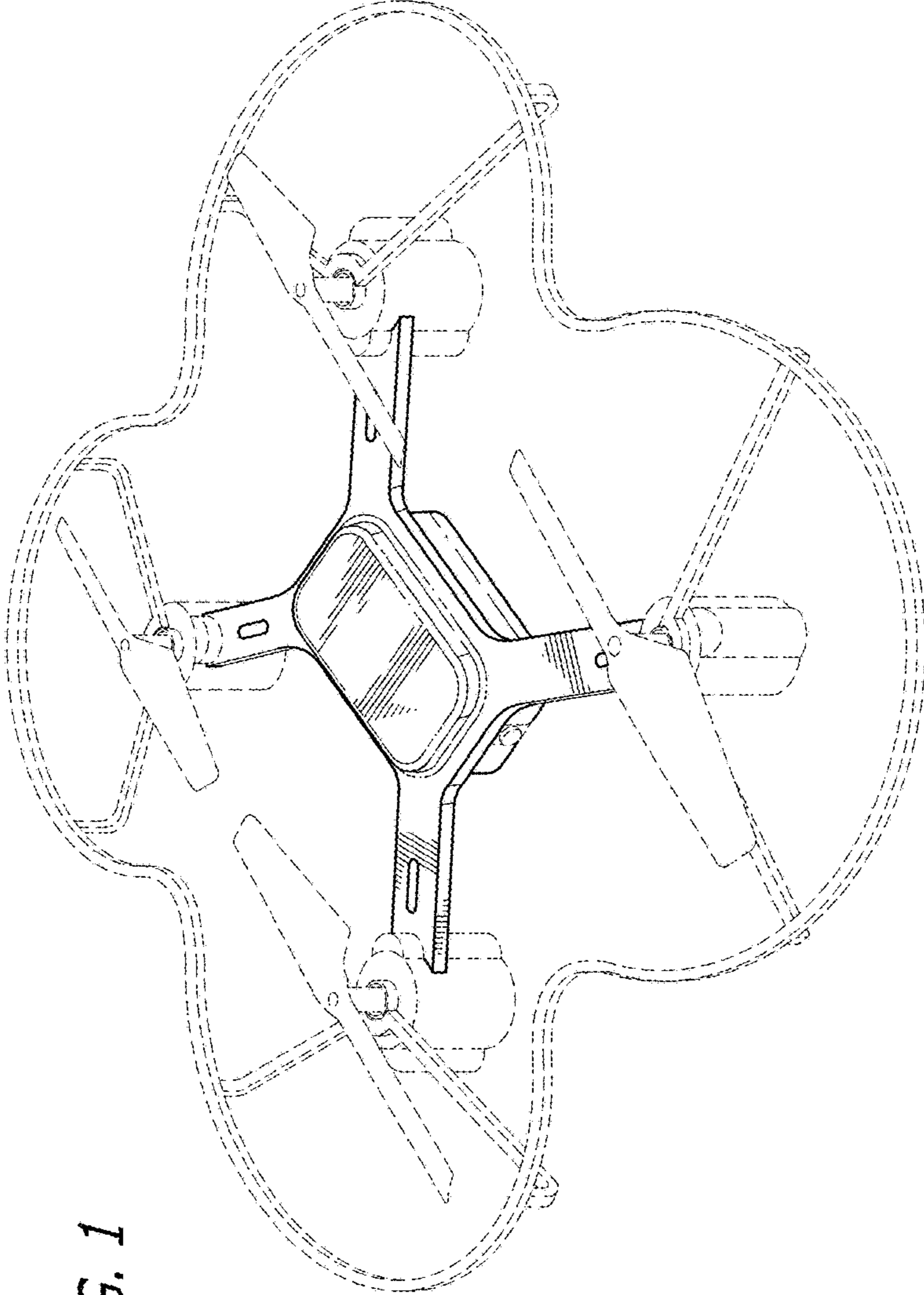


FIG. 1

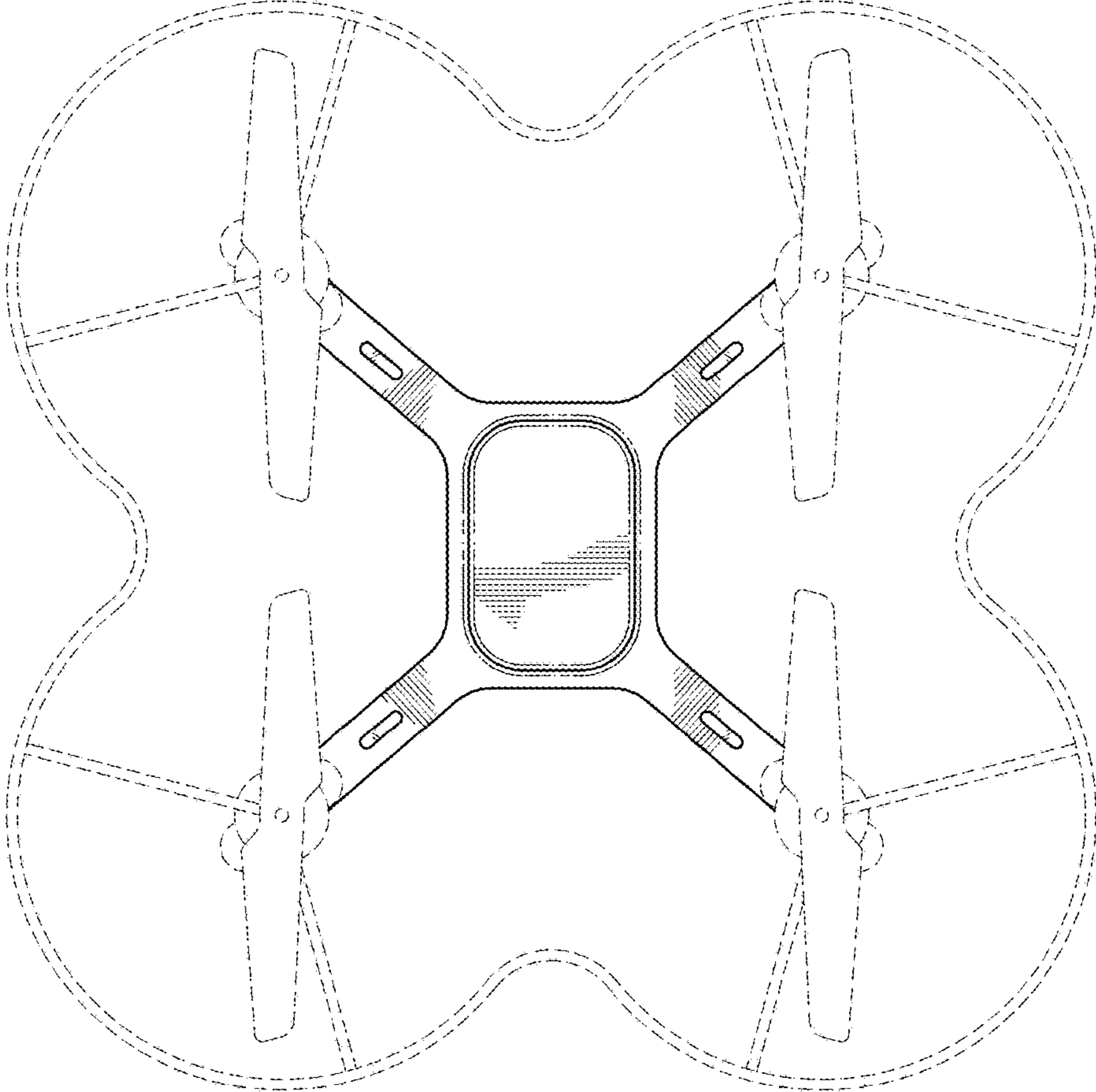


FIG. 2

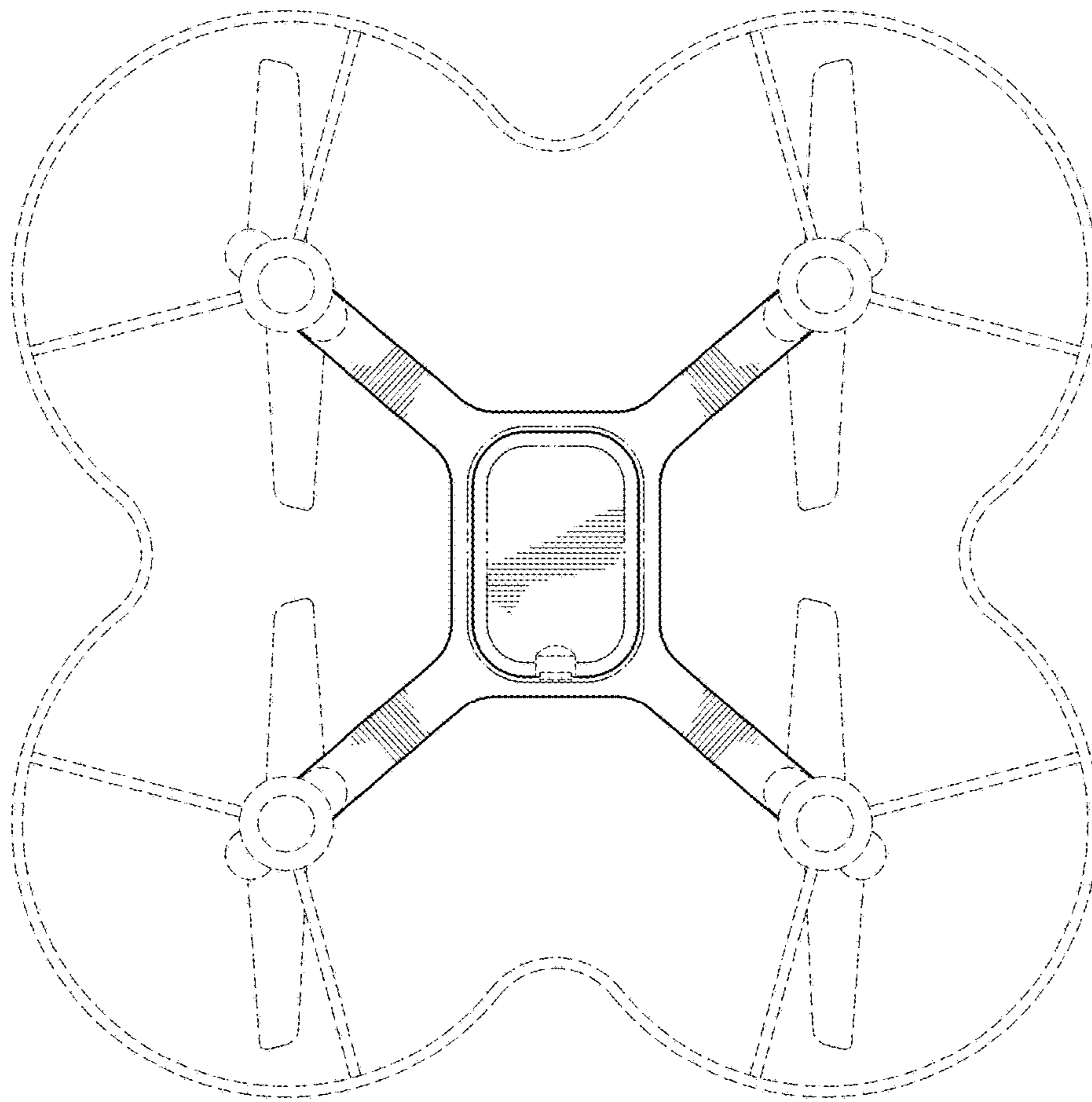


FIG. 3

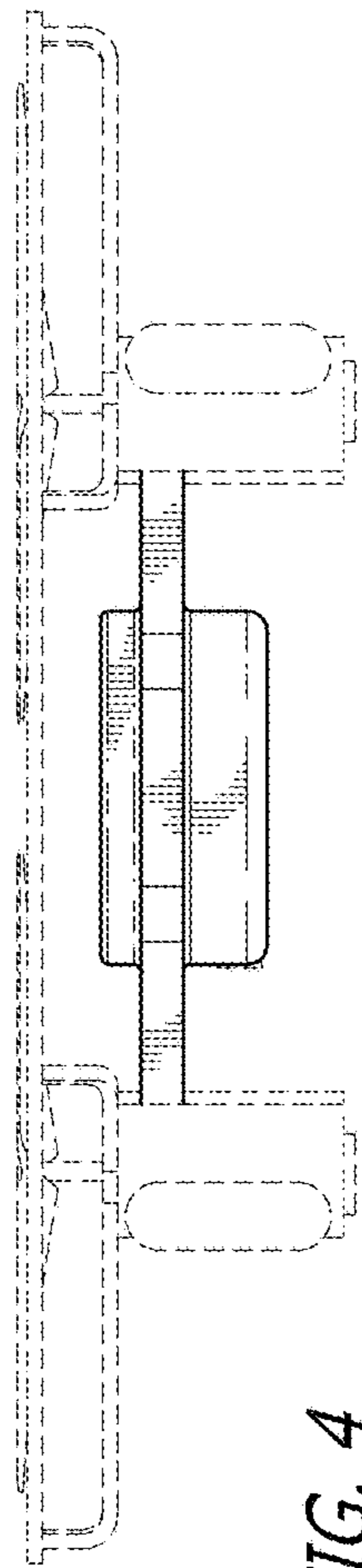


FIG. 4

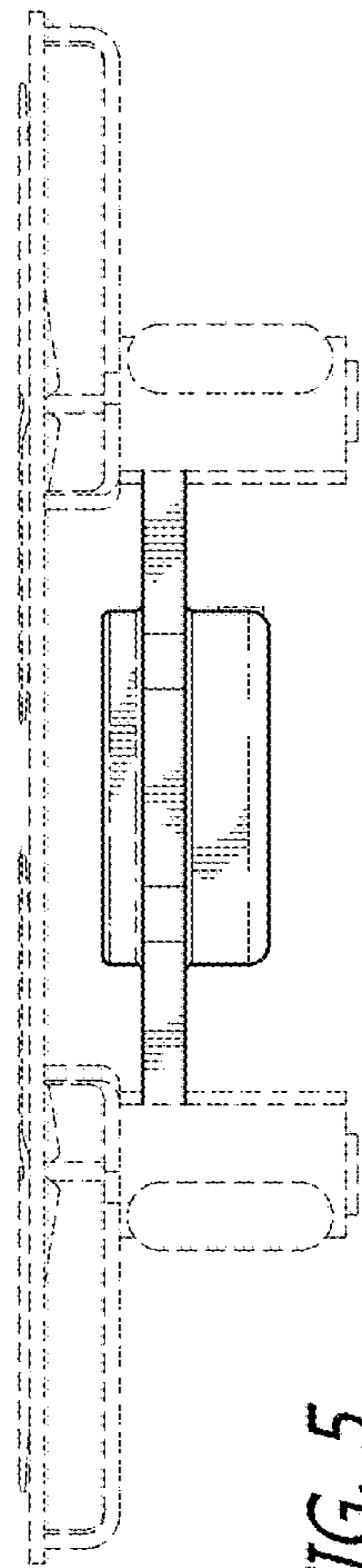


FIG. 5

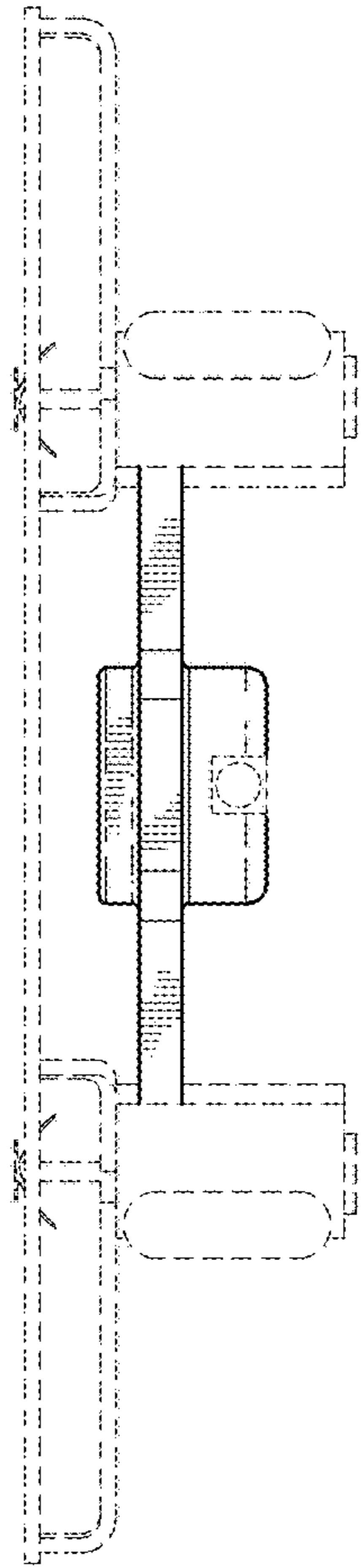


FIG. 6

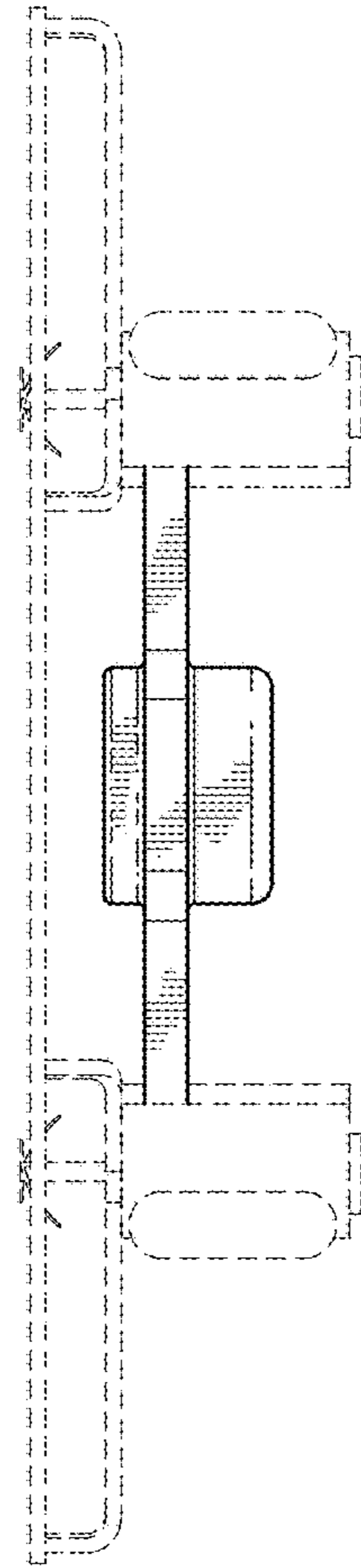


FIG. 7