



US00D852090S

(12) **United States Design Patent**  
**Bowerman**

(10) **Patent No.:** **US D852,090 S**

(45) **Date of Patent:** **\*\* Jun. 25, 2019**

- (54) **HYDROPONIC PLANTER**
- (71) Applicant: **Aspara Limited**, Hong Kong (HK)
- (72) Inventor: **Julian Clive Bowerman**, Hong Kong (HK)
- (73) Assignee: **Aspara Limited**, Hong Kong (HK)
- (\*\*) Term: **15 Years**
- (21) Appl. No.: **29/632,098**
- (22) Filed: **Jan. 5, 2018**
- (51) **LOC (11) Cl.** ..... **11-02**
- (52) **U.S. Cl.**  
USPC ..... **D11/155**
- (58) **Field of Classification Search**  
USPC ..... D3/304, 313; D6/405-408, 556-558,  
D6/675, 675.1, 691; D9/428, 549;  
D11/143-156, 164  
CPC . A01G 9/00; A01G 9/02; A01G 9/021; A01G  
9/022; A01G 9/029; A01G 9/0293; A01G  
9/042; A47G 7/00; A47G 7/02; A47G  
7/06; A47G 7/08  
See application file for complete search history.

(56) **References Cited**

U.S. PATENT DOCUMENTS

- D226,647 S \* 4/1973 Longato ..... D18/59
- D236,633 S \* 9/1975 Shalom ..... D30/101
- D242,587 S \* 12/1976 Sklaroff ..... D6/656.15
- 4,077,593 A \* 3/1978 Carratala ..... A47G 7/041  
248/146
- D271,833 S \* 12/1983 Okada ..... D11/143
- D283,323 S \* 4/1986 Cervero ..... D14/451
- D290,706 S \* 7/1987 Peart ..... D14/451
- 4,819,568 A \* 4/1989 Coffrin ..... A47B 23/046  
108/13
- 4,967,694 A \* 11/1990 Waldman ..... A01K 63/006  
119/246

- 5,090,358 A \* 2/1992 Waldman ..... A01K 63/006  
119/256
- D324,810 S \* 3/1992 Moye, Sr. .... D3/218
- D366,350 S \* 1/1996 Ichikawa ..... D30/101
- D366,735 S \* 1/1996 Ichikawa ..... D30/101
- 6,378,819 B1 \* 4/2002 Johnson ..... B60R 9/06  
24/525
- D488,006 S \* 4/2004 Deichmann ..... D6/697
- D539,291 S \* 3/2007 Li ..... D14/447
- 7,261,270 B2 \* 8/2007 Chen ..... G06F 1/1632  
248/346.03
- D598,673 S \* 8/2009 Peters ..... D6/675
- D598,674 S \* 8/2009 Frank ..... D6/675.1
- D645,865 S \* 9/2011 Diehl ..... D14/299
- D655,460 S \* 3/2012 Stevenson ..... D30/101
- D663,545 S \* 7/2012 Hundley ..... D6/673
- D667,174 S \* 9/2012 Stevenson ..... D30/101
- 8,453,373 B2 \* 6/2013 Gordon ..... A01K 97/10  
248/534

(Continued)

*Primary Examiner* — Elizabeth A. Albert

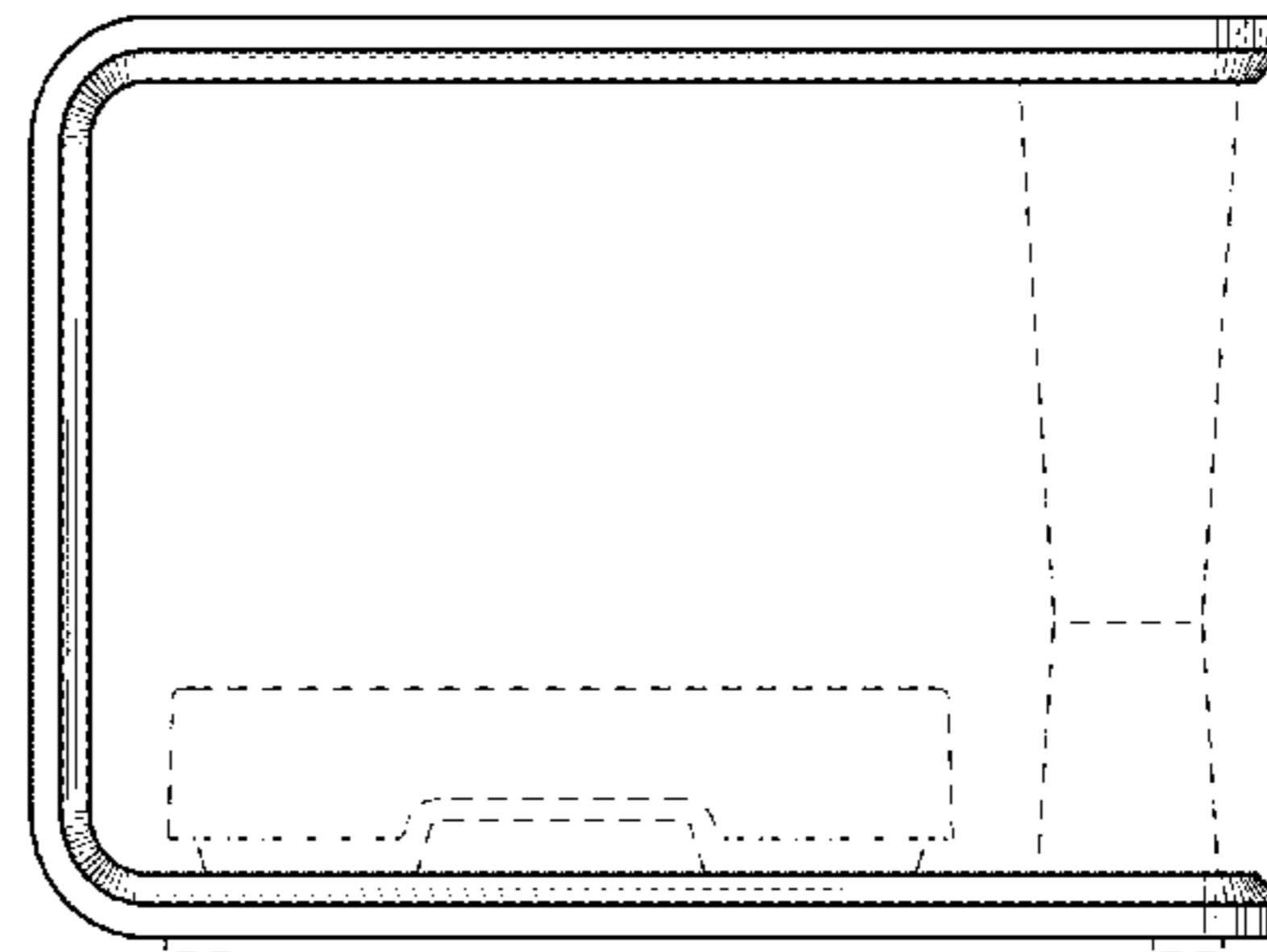
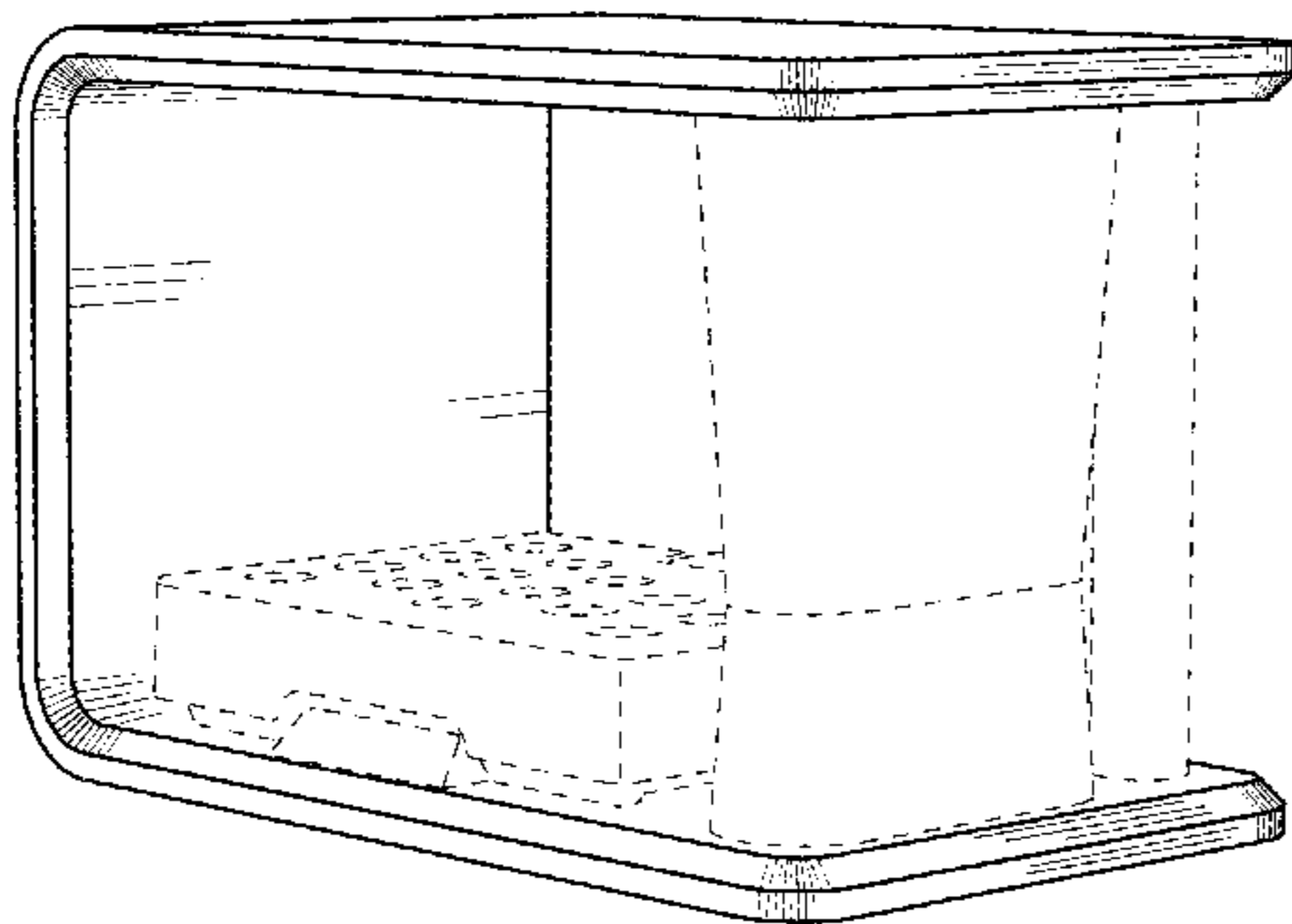
(57) **CLAIM**

The ornamental design for a hydroponic planter, as shown and described.

**DESCRIPTION**

FIG. 1 is a first perspective view of a hydroponic planter showing my new design;  
 FIG. 2 is a second perspective view thereof;  
 FIG. 3 is a third perspective view thereof;  
 FIG. 4 is a front elevational view thereof;  
 FIG. 5 is a rear elevational view thereof;  
 FIG. 6 is a left side view thereof;  
 FIG. 7 is a right side view thereof;  
 FIG. 8 is a top plan view thereof; and,  
 FIG. 9 is a bottom plan view thereof.  
 The broken lines in the drawings illustrate portions of the hydroponic planter which form no part of the claimed design.

**1 Claim, 9 Drawing Sheets**



(56)

**References Cited**

U.S. PATENT DOCUMENTS

D834,860 S \* 12/2018 McKenna ..... D6/694

\* cited by examiner

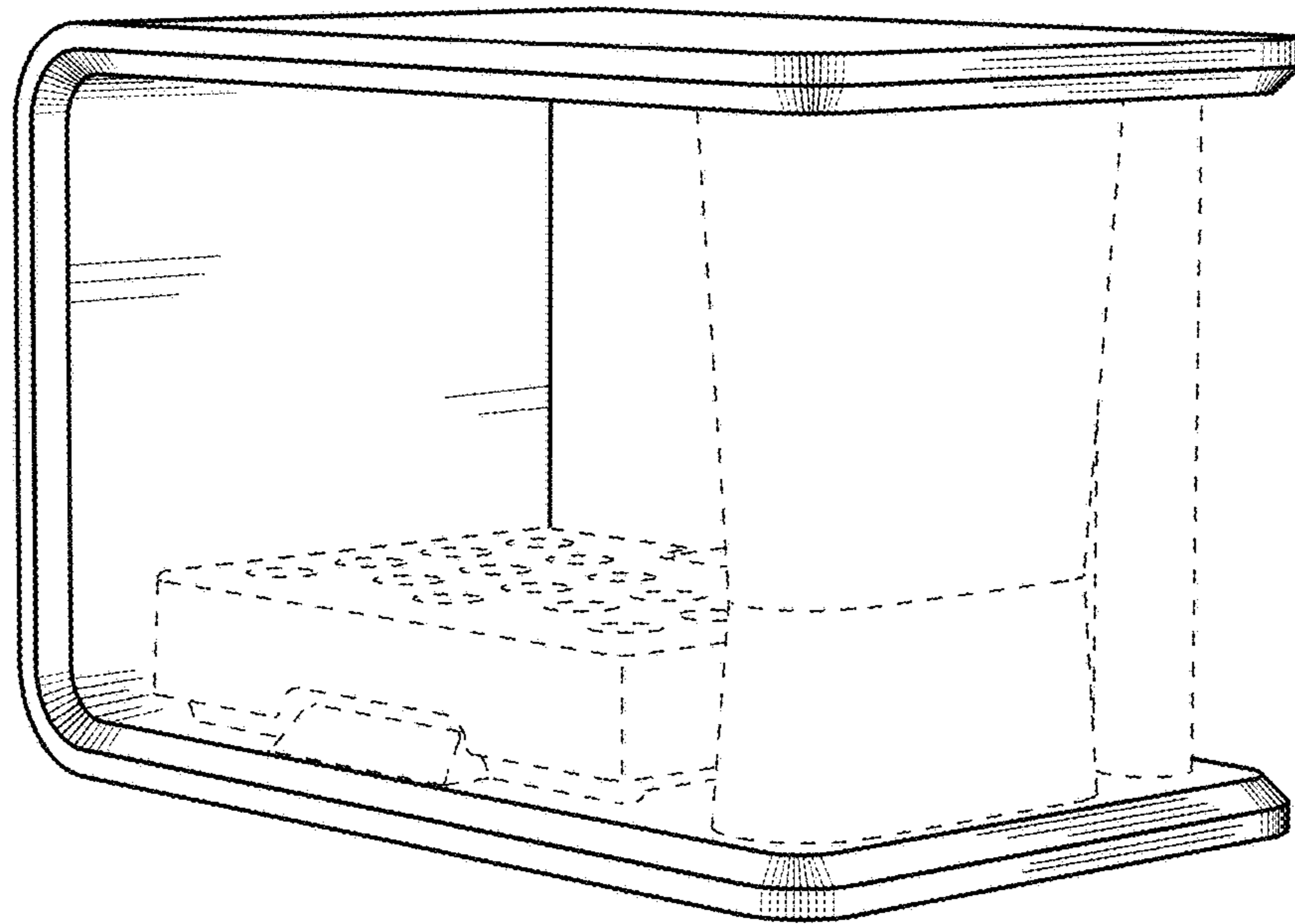


Fig. 1

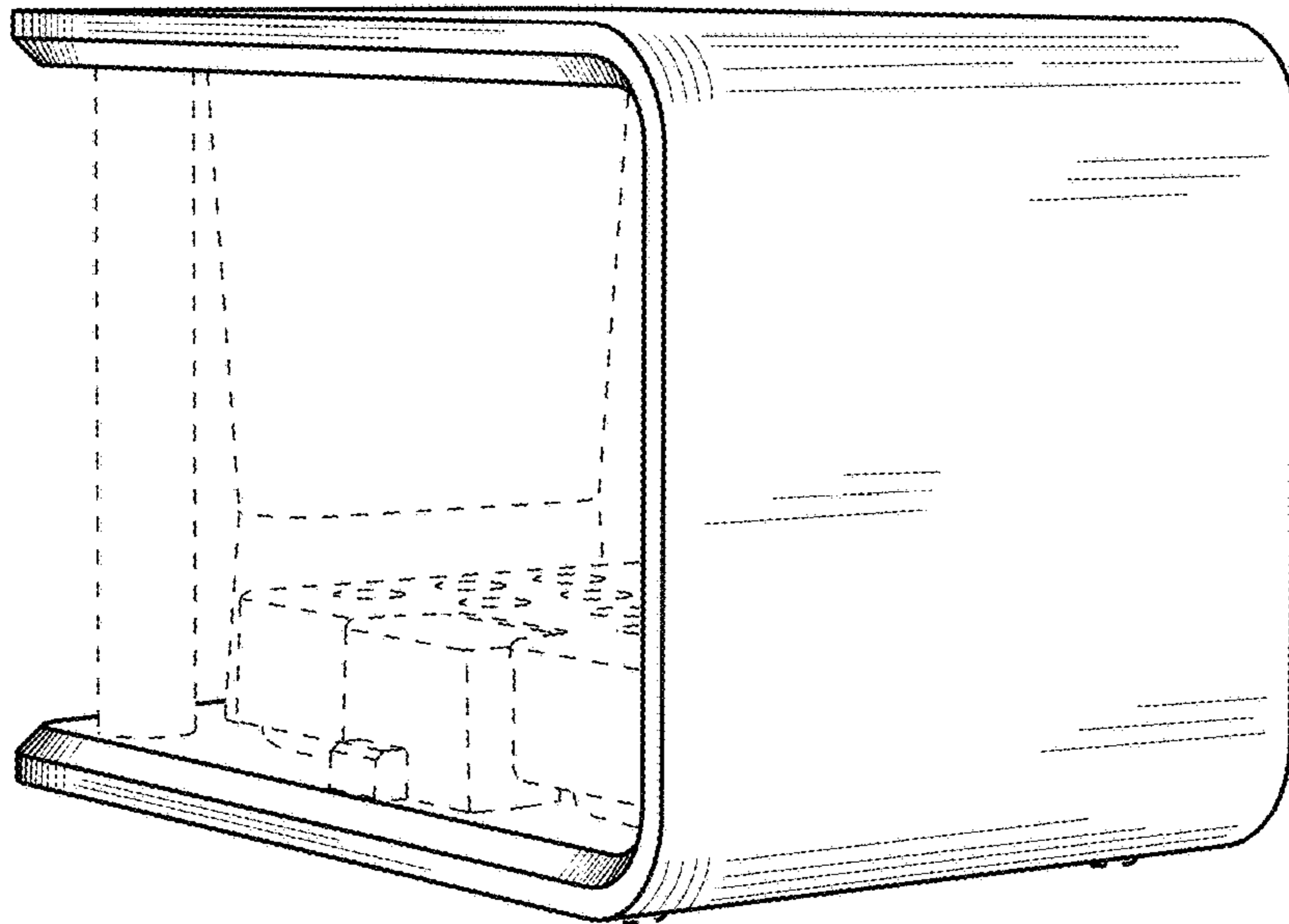


Fig. 2

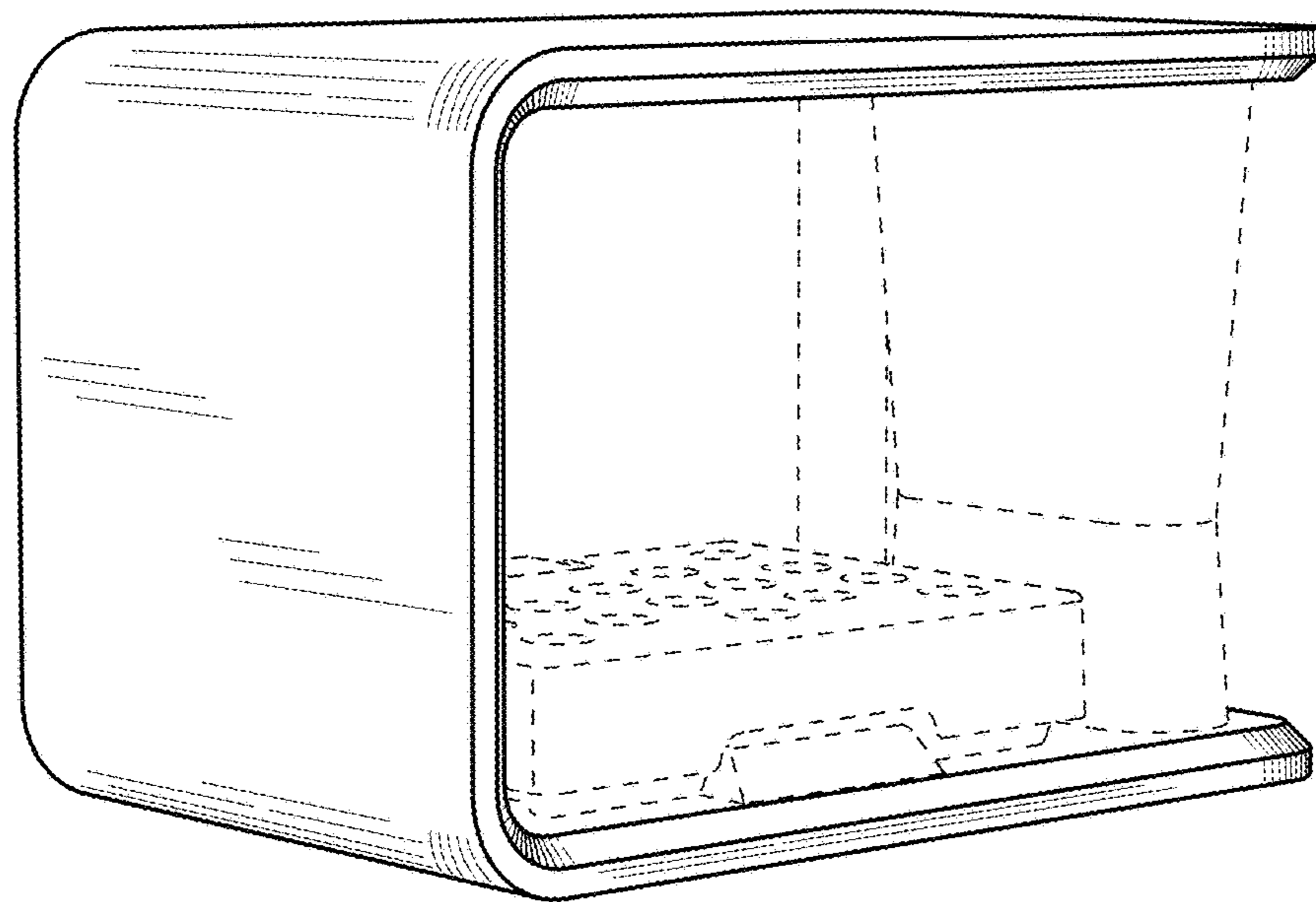


Fig. 3

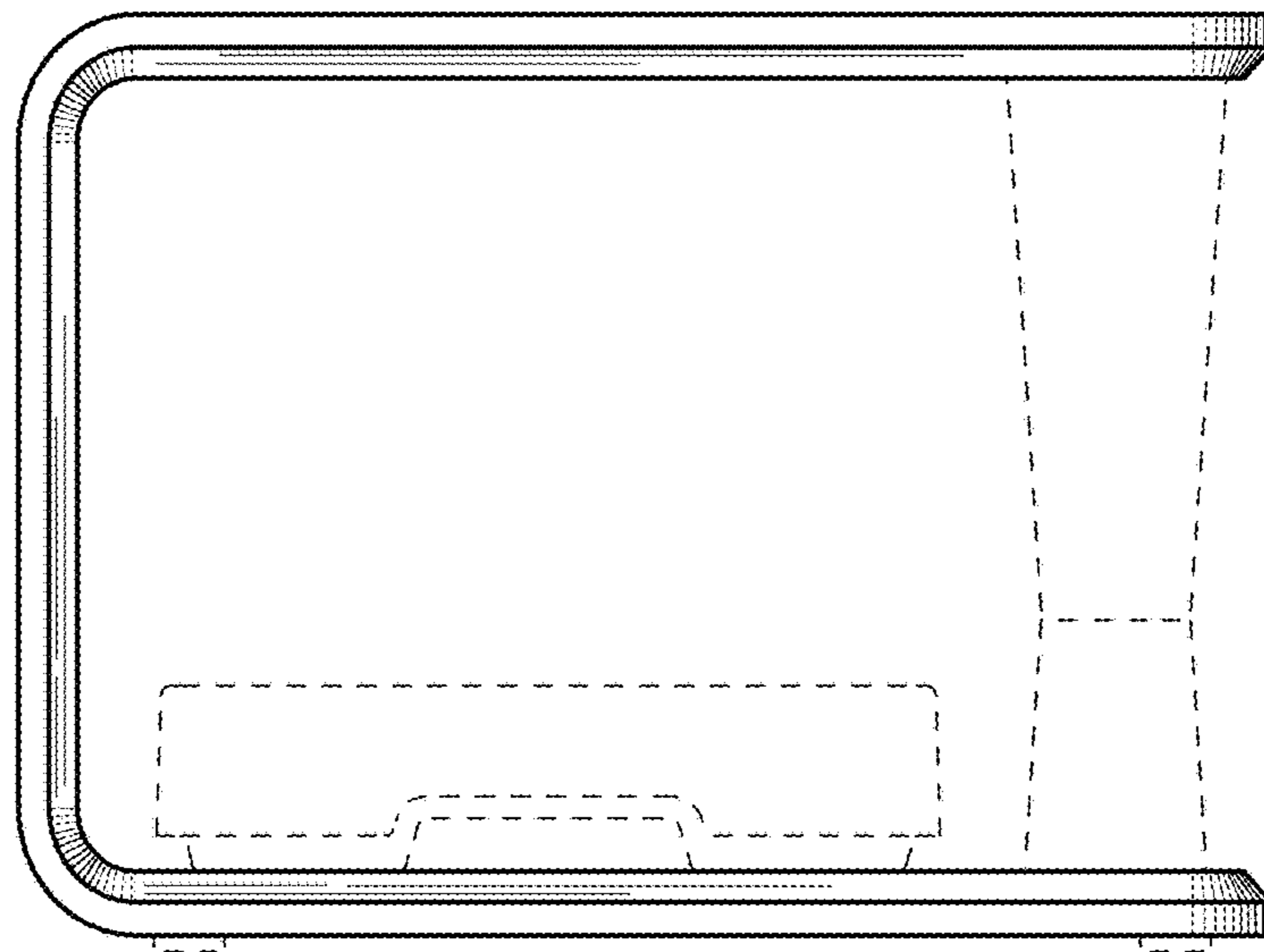


Fig. 4

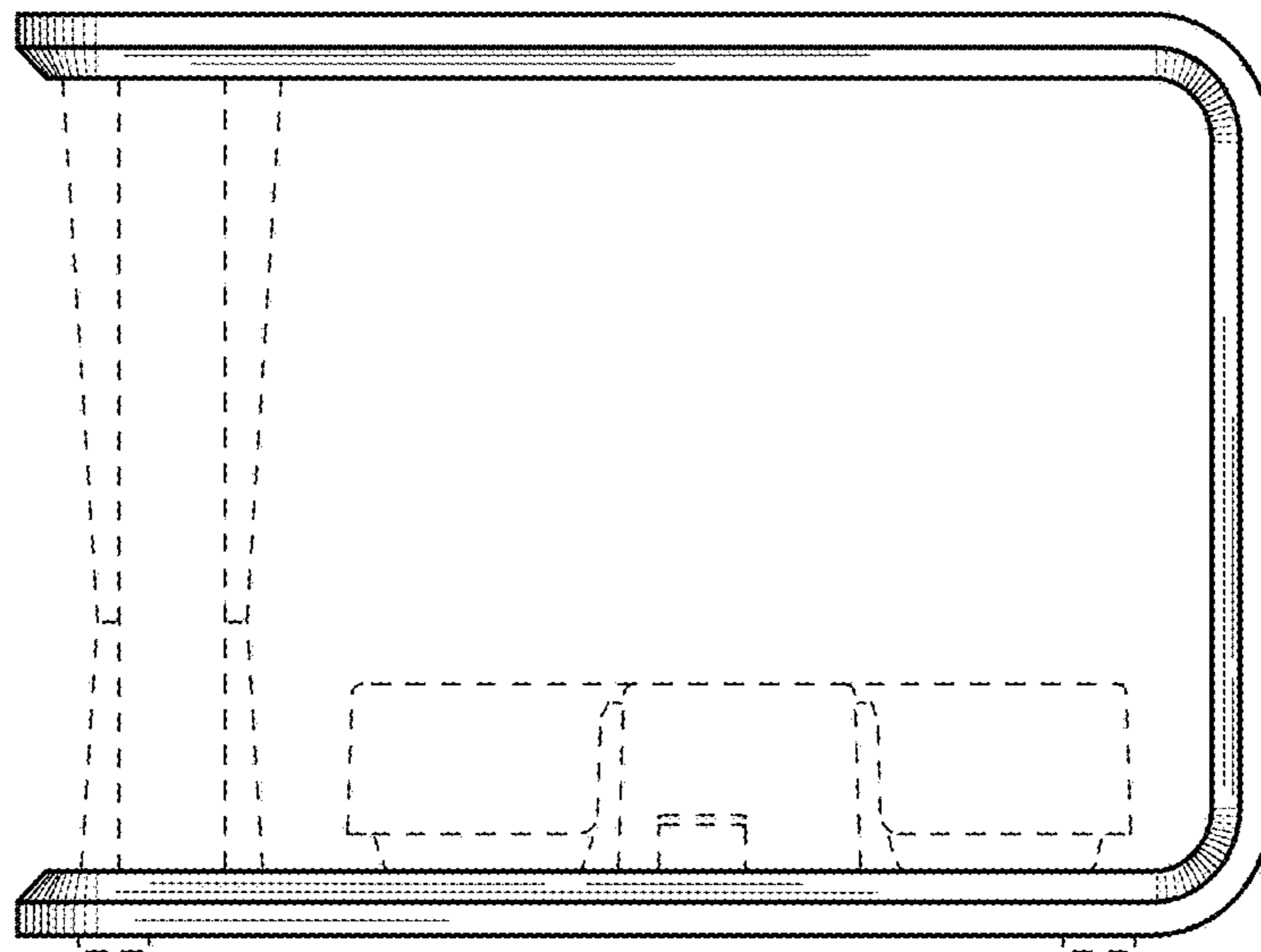


Fig. 5

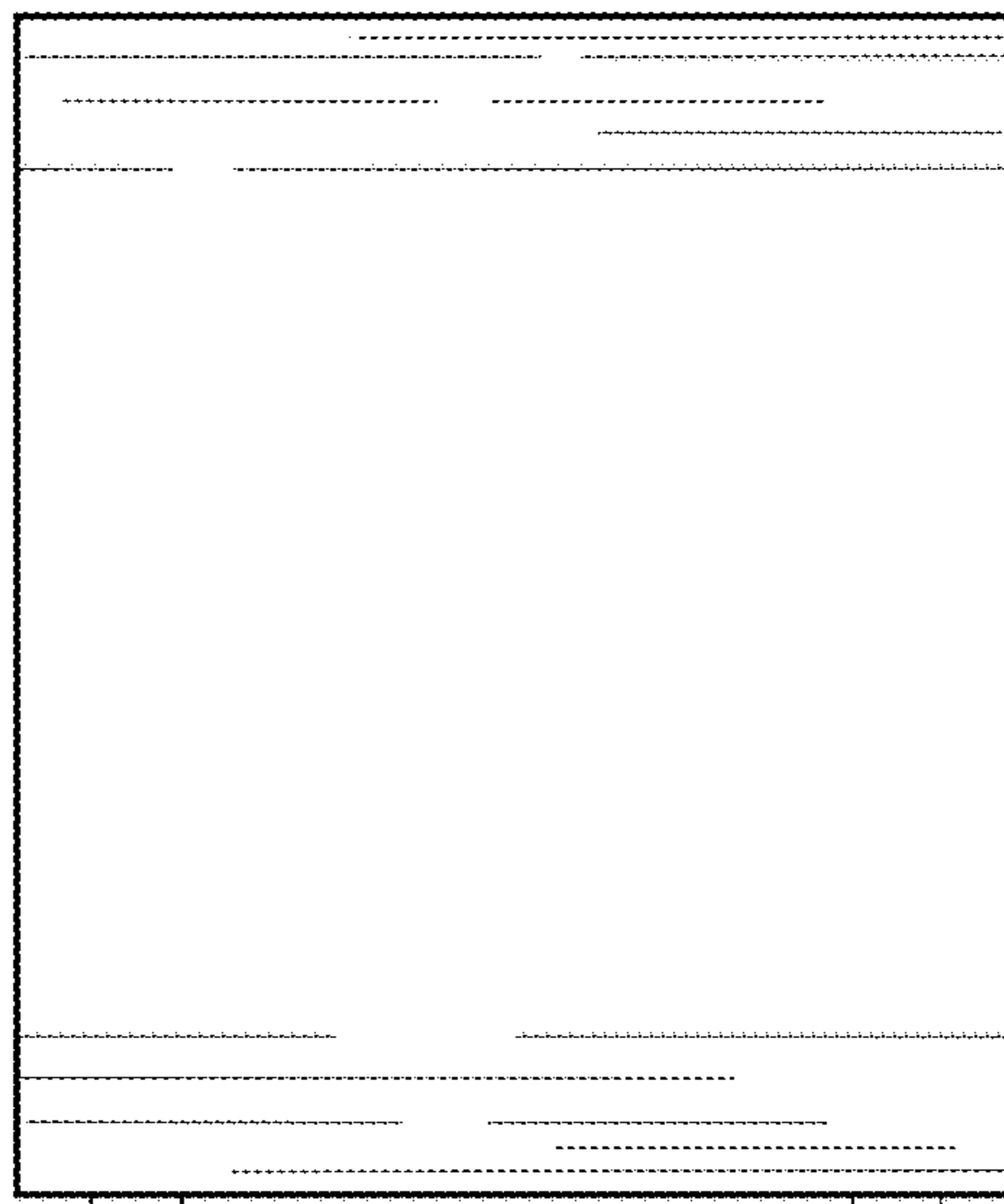


Fig. 6



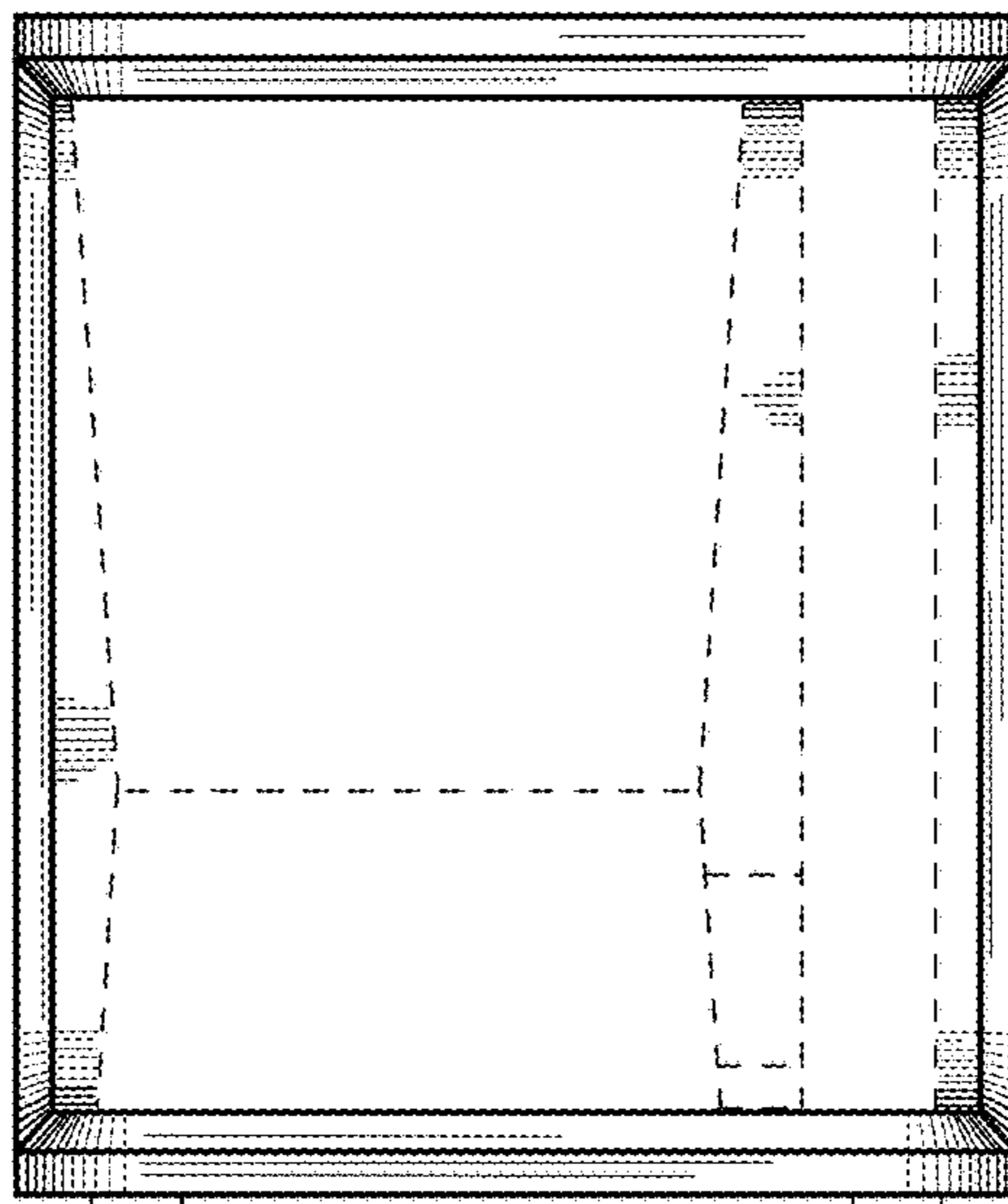


Fig. 7

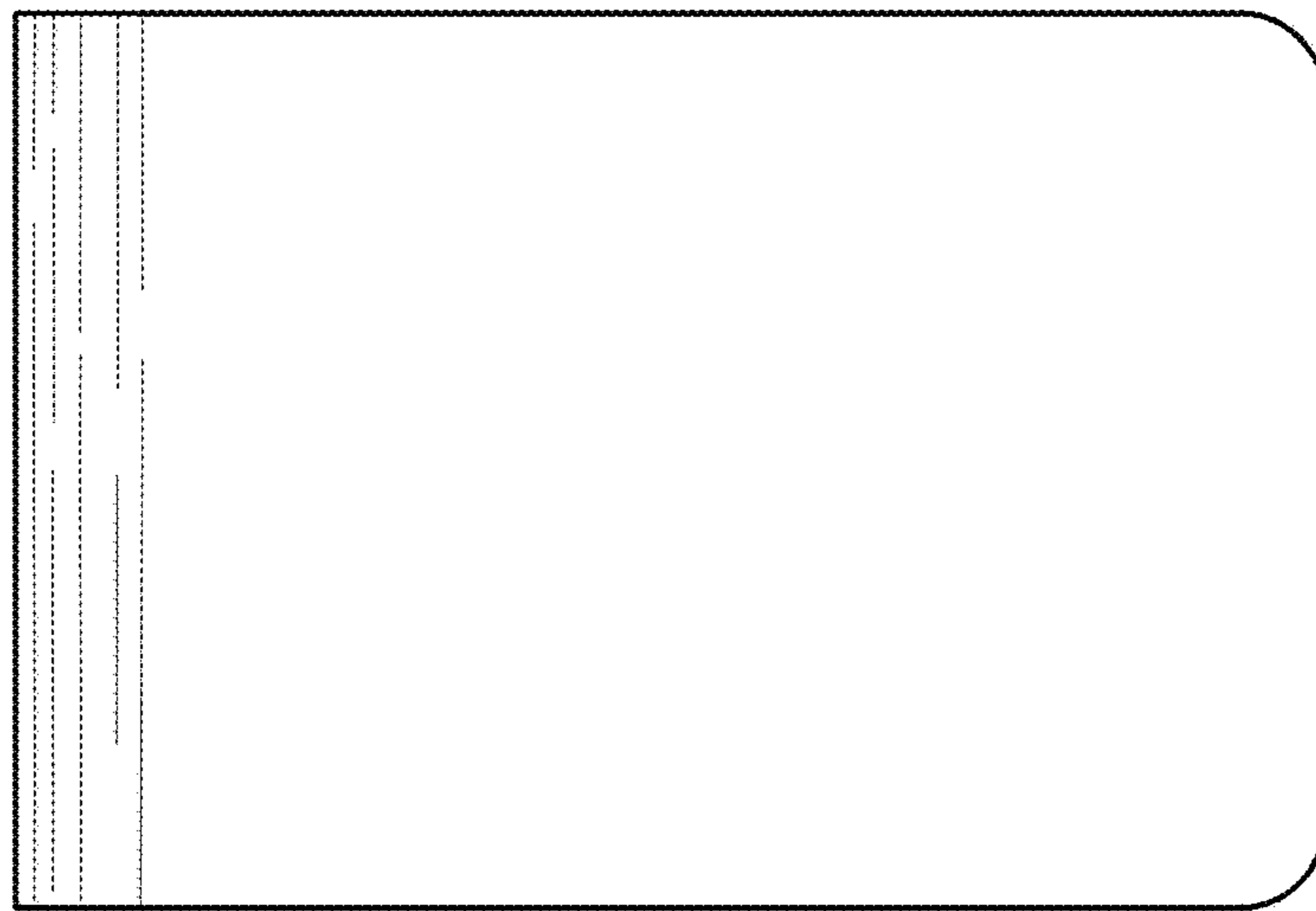


Fig. 8

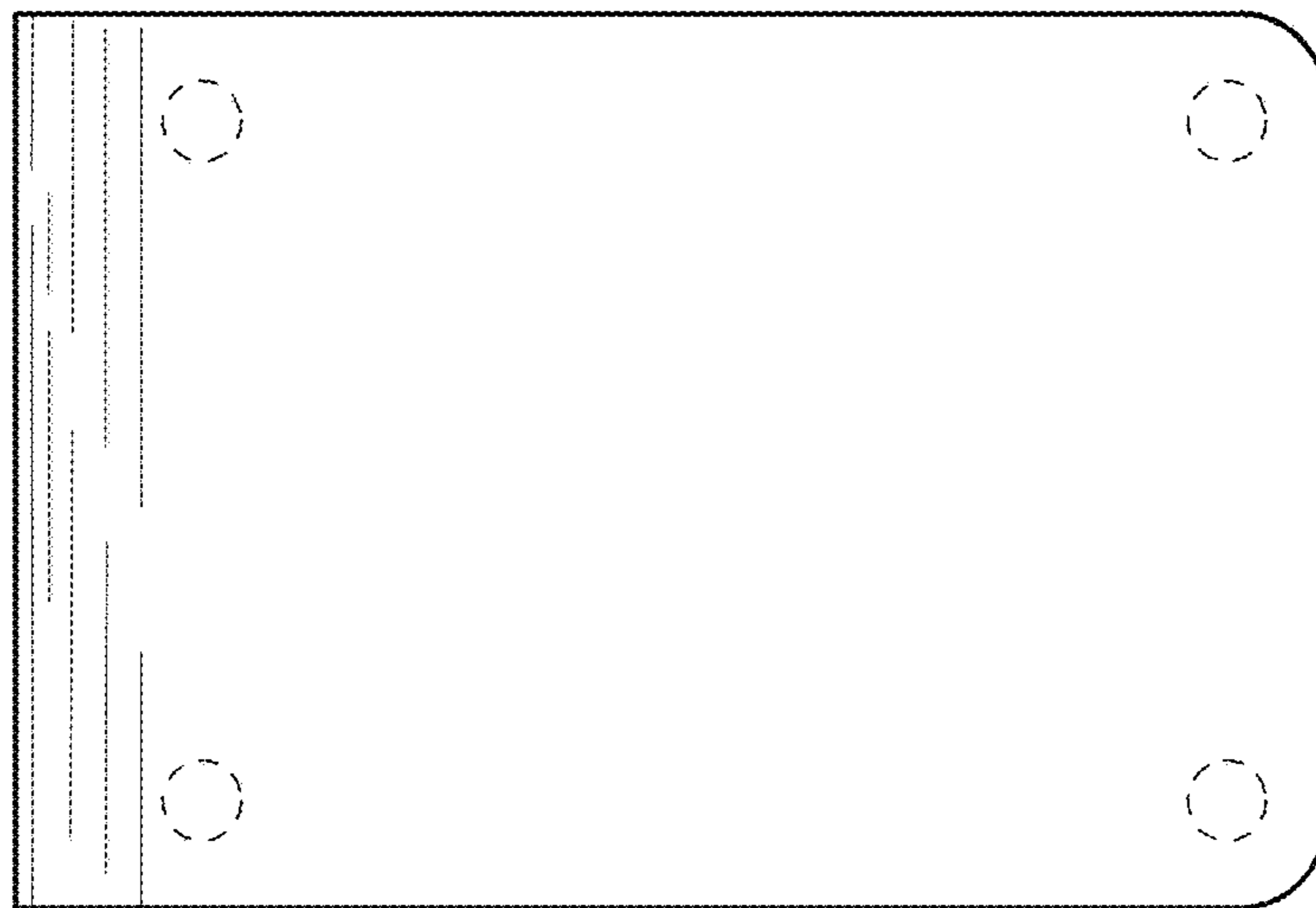


Fig. 9