



US00D852089S

(12) **United States Design Patent**
Aoyama

(10) **Patent No.:** **US D852,089 S**
(45) **Date of Patent:** **** Jun. 25, 2019**

(54) **PLANT POT**

DESCRIPTION

- (71) Applicant: **KANEYA CO., LTD.**, Aichi-ken (JP)
- (72) Inventor: **Matsuo Aoyama**, Aichi-ken (JP)
- (73) Assignee: **Kaneya Co., Ltd.**, Aichi-ken (JP)
- (**) Term: **15 Years**
- (21) Appl. No.: **29/583,926**
- (22) Filed: **Nov. 10, 2016**

(30) **Foreign Application Priority Data**

Jun. 17, 2016 (JP) 2016-012947
 Jun. 17, 2016 (JP) 2016-012948
 (Continued)

- (51) **LOC (11) Cl.** **11-02**
- (52) **U.S. Cl.**
USPC **D11/152**
- (58) **Field of Classification Search**
USPC D11/143, 152, 145, 146, 148, 153, 154,
D11/155, 156; D8/1; D7/509, 523, 547
(Continued)

(56) **References Cited**

U.S. PATENT DOCUMENTS

D256,682 S * 9/1980 Lee D11/152
 D325,181 S * 4/1992 Lee D11/152
 (Continued)

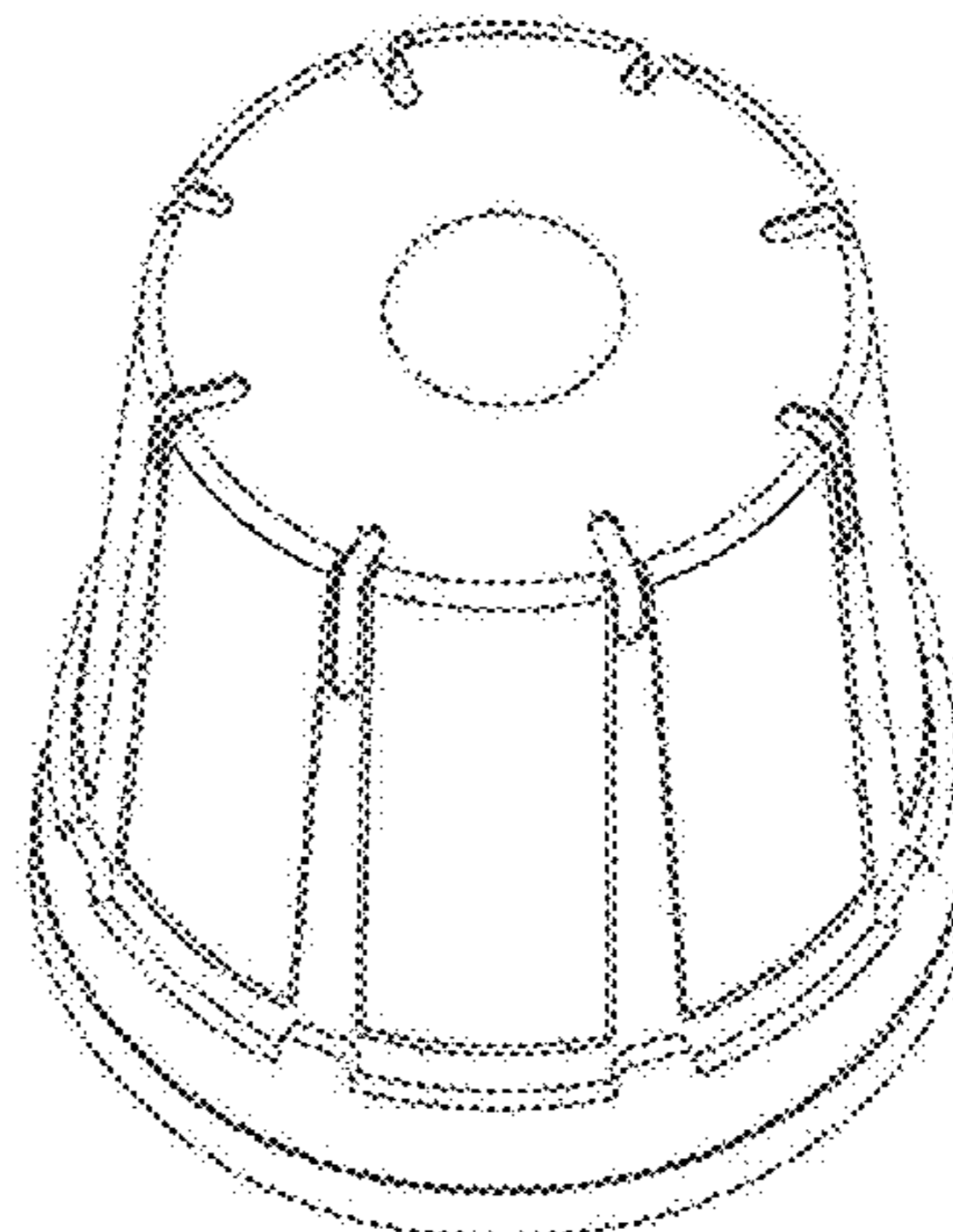
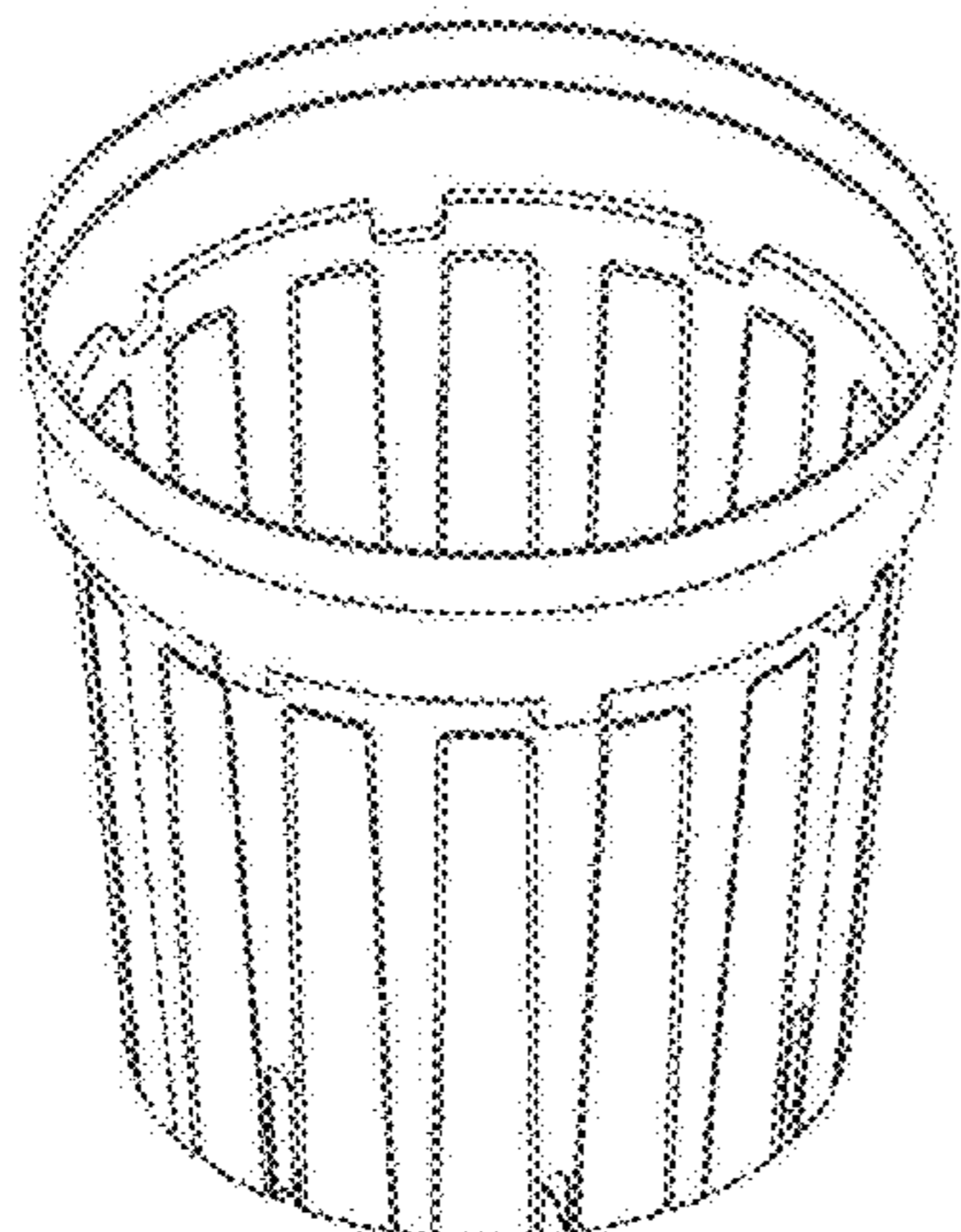
Primary Examiner — Karen S Acker
Assistant Examiner — Steven B Reinholdt, Jr.
 (74) *Attorney, Agent, or Firm* — Patterson Thuent
 Pedersen, P.A.

(57) **CLAIM**

I claim the ornamental design for plant pot, as shown and described above.

FIG. 1 is a perspective view of the first embodiment of the plant pot viewed from the top according to an embodiment of the invention;
 FIG. 2 is a perspective view of the plant pot of FIG. 1 viewed from the bottom thereof;
 FIG. 3 is a front elevation view of the plant pot of FIG. 1;
 FIG. 4 is a top plan view of the plant pot of FIG. 1;
 FIG. 5 is a bottom plan view of the plant pot of FIG. 1;
 FIG. 6 is a sectional view of the plant pot taken along line 6-6 in FIG. 4;
 FIG. 7 is a perspective view of the plant pot of a second embodiment of the plant pot viewed from the top;
 FIG. 8 is a perspective view of the plant pot of FIG. 7 viewed from the bottom thereof;
 FIG. 9 is a front elevation view of the plant pot of FIG. 7;
 FIG. 10 is a top plan view of the plant pot of FIG. 7;
 FIG. 11 is a bottom plan view of the plant pot of FIG. 7;
 FIG. 12 is a sectional view of the plant pot of FIG. 7 taken along line 12-12 in FIG. 10;
 FIG. 13 is a perspective view of the plant pot of a third embodiment of the plant pot viewed from the top;
 FIG. 14 is a perspective view of the plant pot of FIG. 13 viewed from the bottom thereof;
 FIG. 15 is a front elevation view of the plant pot of FIG. 13;
 FIG. 16 is a top plan view of the plant pot of FIG. 13;
 FIG. 17 is a bottom plan view of the plant pot of FIG. 13;
 FIG. 18 is a sectional view of the plant pot of FIG. 13 taken along line 18-18 in FIG. 16;
 FIG. 19 is a perspective view of the plant pot of a fourth embodiment of the plant pot viewed from the top;
 FIG. 20 is a perspective view of the plant pot of FIG. 19 viewed from the bottom thereof;
 FIG. 21 is a front elevation view of the plant pot of FIG. 19;
 FIG. 22 is a top plan view of the plant pot of FIG. 19;
 FIG. 23 is a bottom plan view of the plant pot of FIG. 19;
 and,
 FIG. 24 is a sectional view of the plant pot of FIG. 19 taken along line 24-24 in FIG. 22.
 The broken lines shown in the drawings represent unclaimed portions of the plant pot and form no part of the claimed design.

1 Claim, 12 Drawing Sheets



(30) **Foreign Application Priority Data**

Jun. 17, 2016 (JP) 2016-012949
Jun. 17, 2016 (JP) 2016-012950

(58) **Field of Classification Search**

CPC .. A47G 7/07; A01G 5/04; F21V 35/00; F21V
1/06

See application file for complete search history.

(56) **References Cited**

U.S. PATENT DOCUMENTS

D457,099 S * 5/2002 Lai D11/152
D519,831 S * 5/2006 de Cleir D9/428
D573,060 S * 7/2008 White D11/152
D604,665 S * 11/2009 Aoyama D11/152
D621,295 S * 8/2010 Skalka D11/152
D630,547 S * 1/2011 Aoyama D11/152
D631,391 S * 1/2011 Aoyama D11/152
D734,203 S * 7/2015 Thuma D11/152
D743,786 S * 11/2015 Hansen D9/429
D801,212 S * 10/2017 Livingston D11/152

* cited by examiner

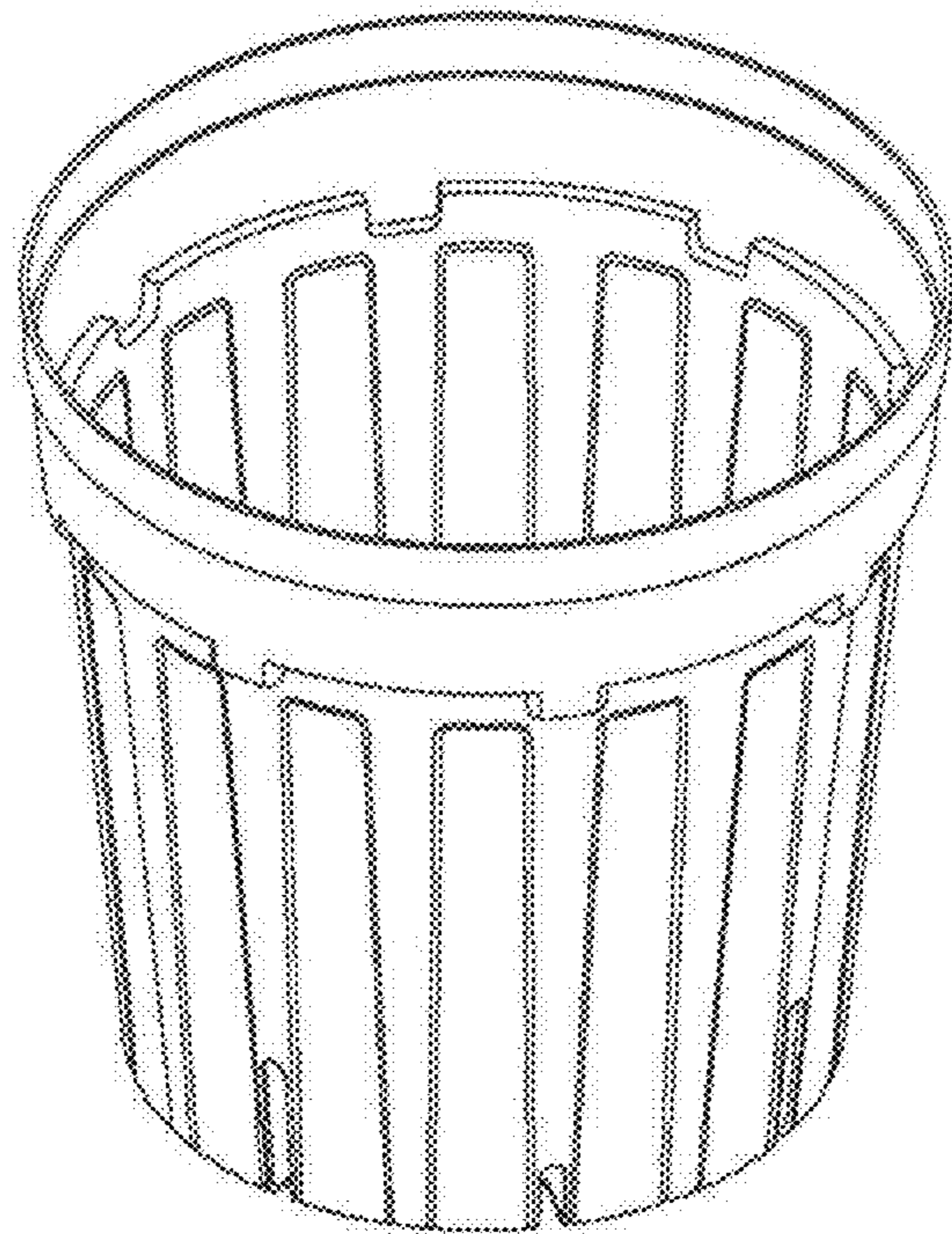


FIG. 1

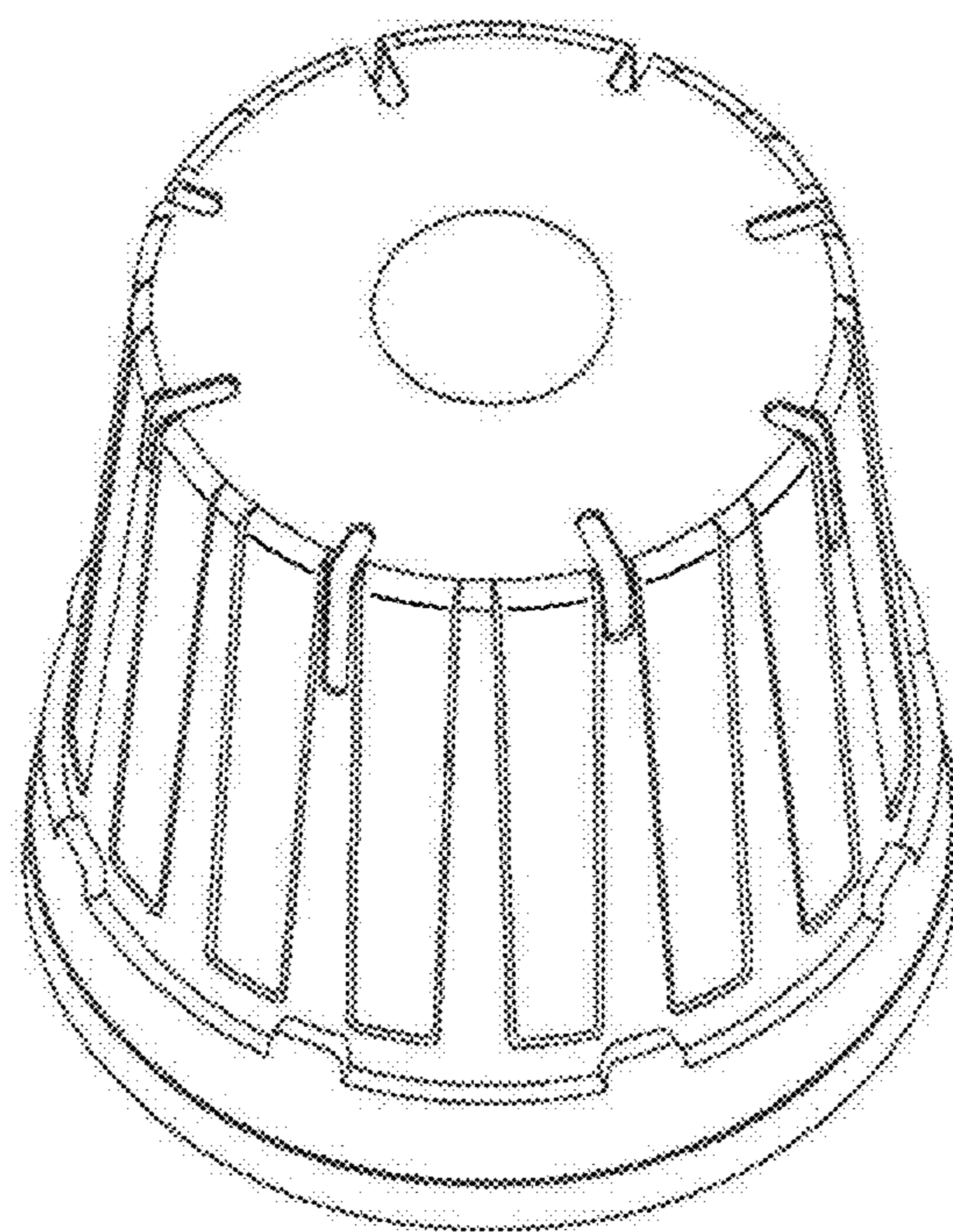


FIG. 2

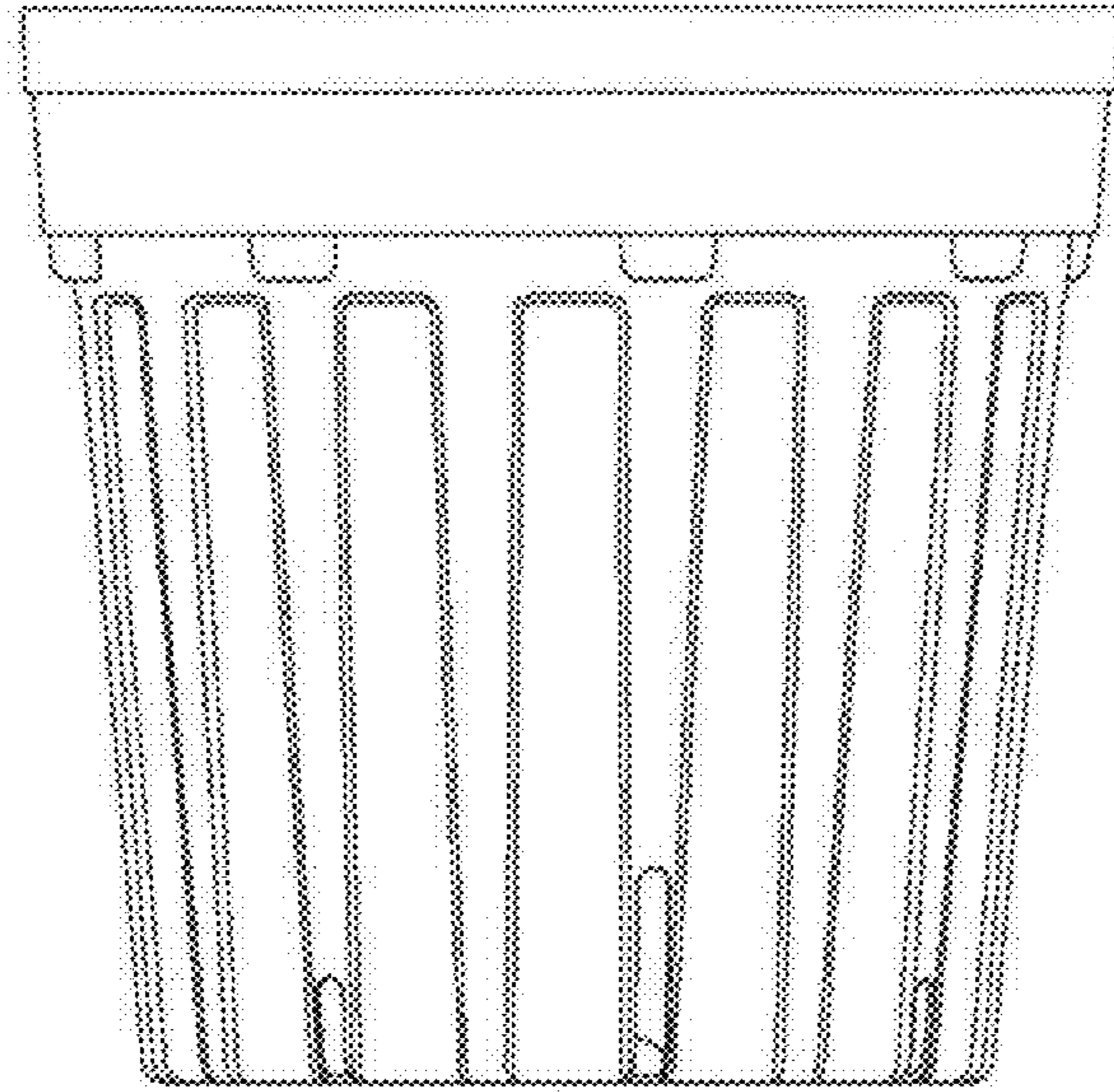


FIG. 3

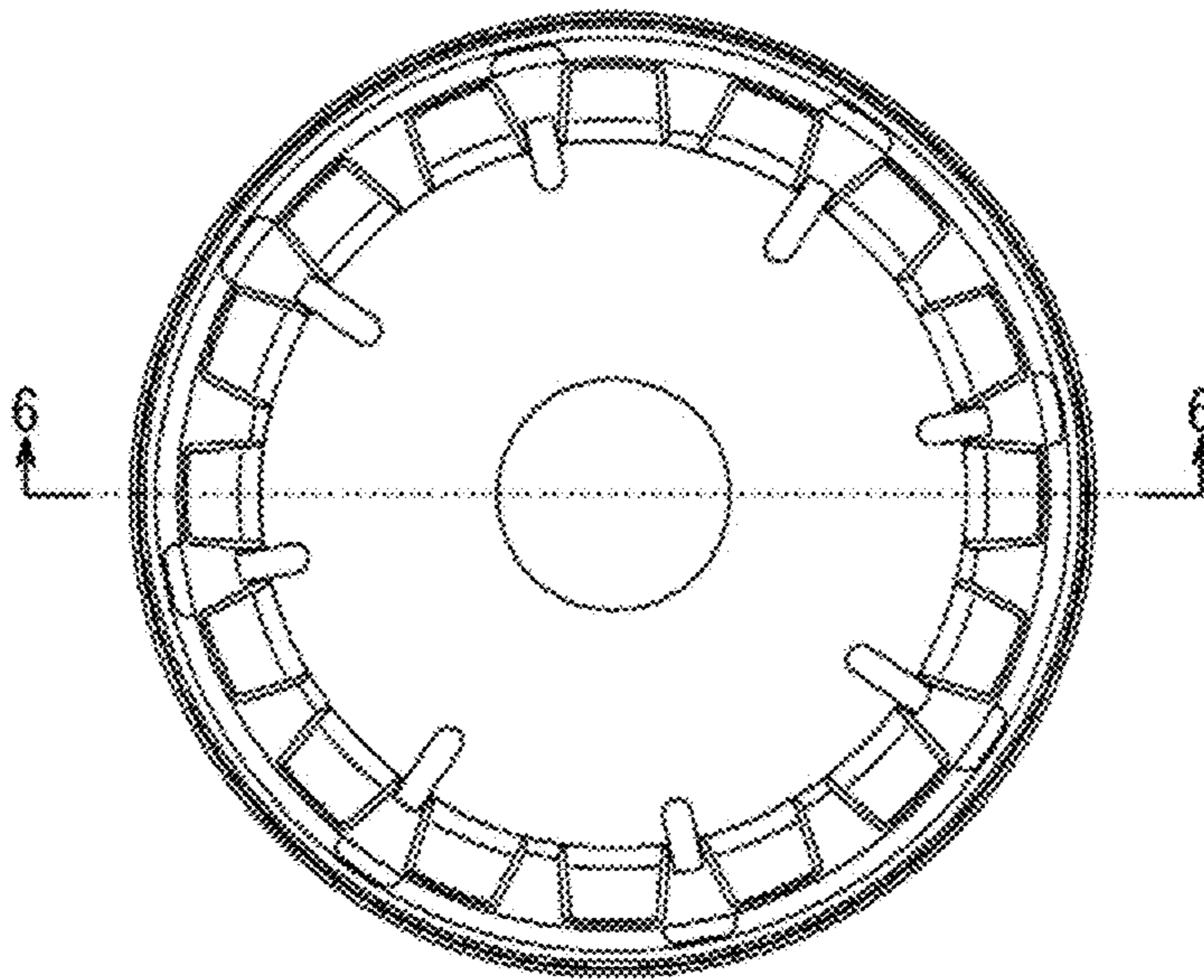


FIG. 4

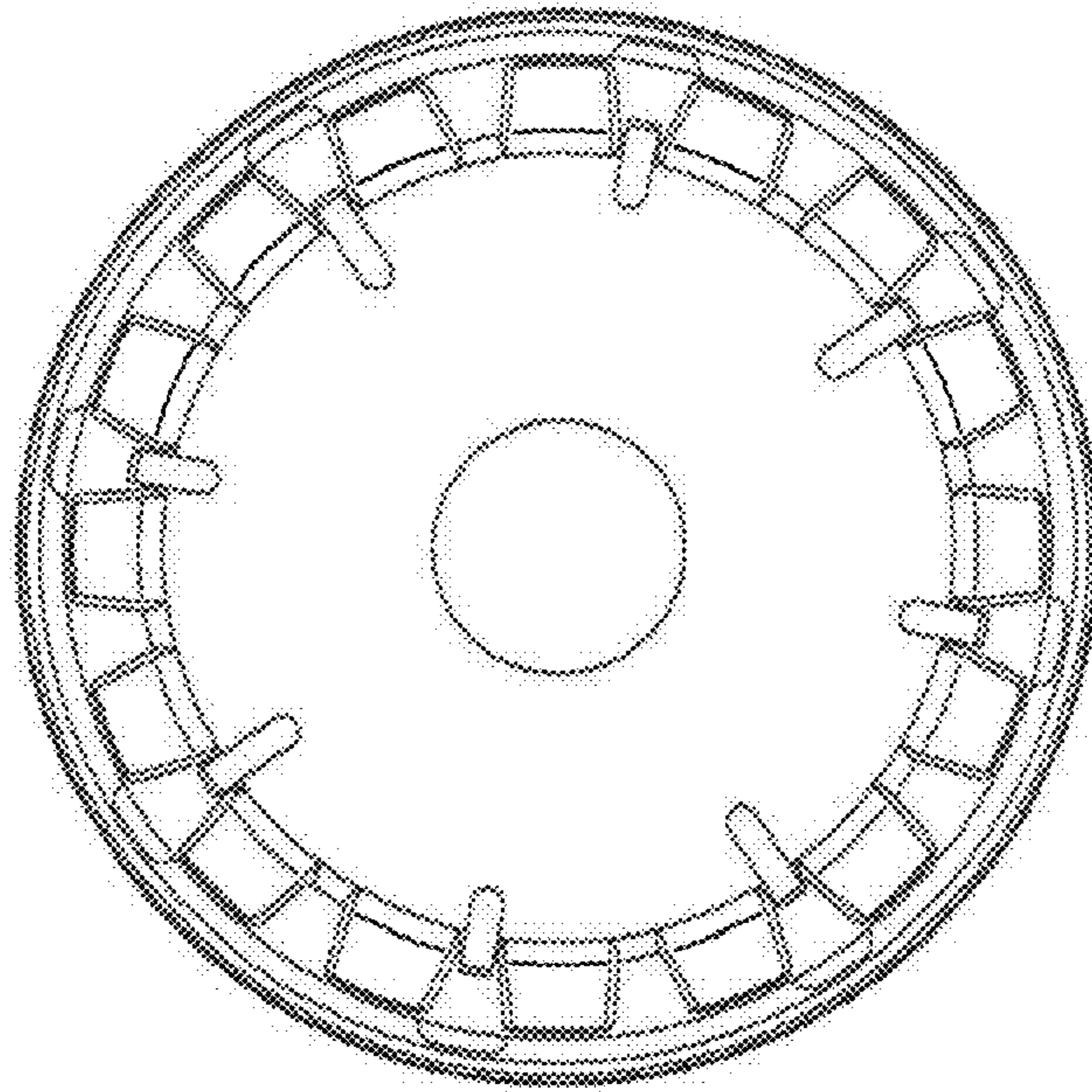


FIG. 5

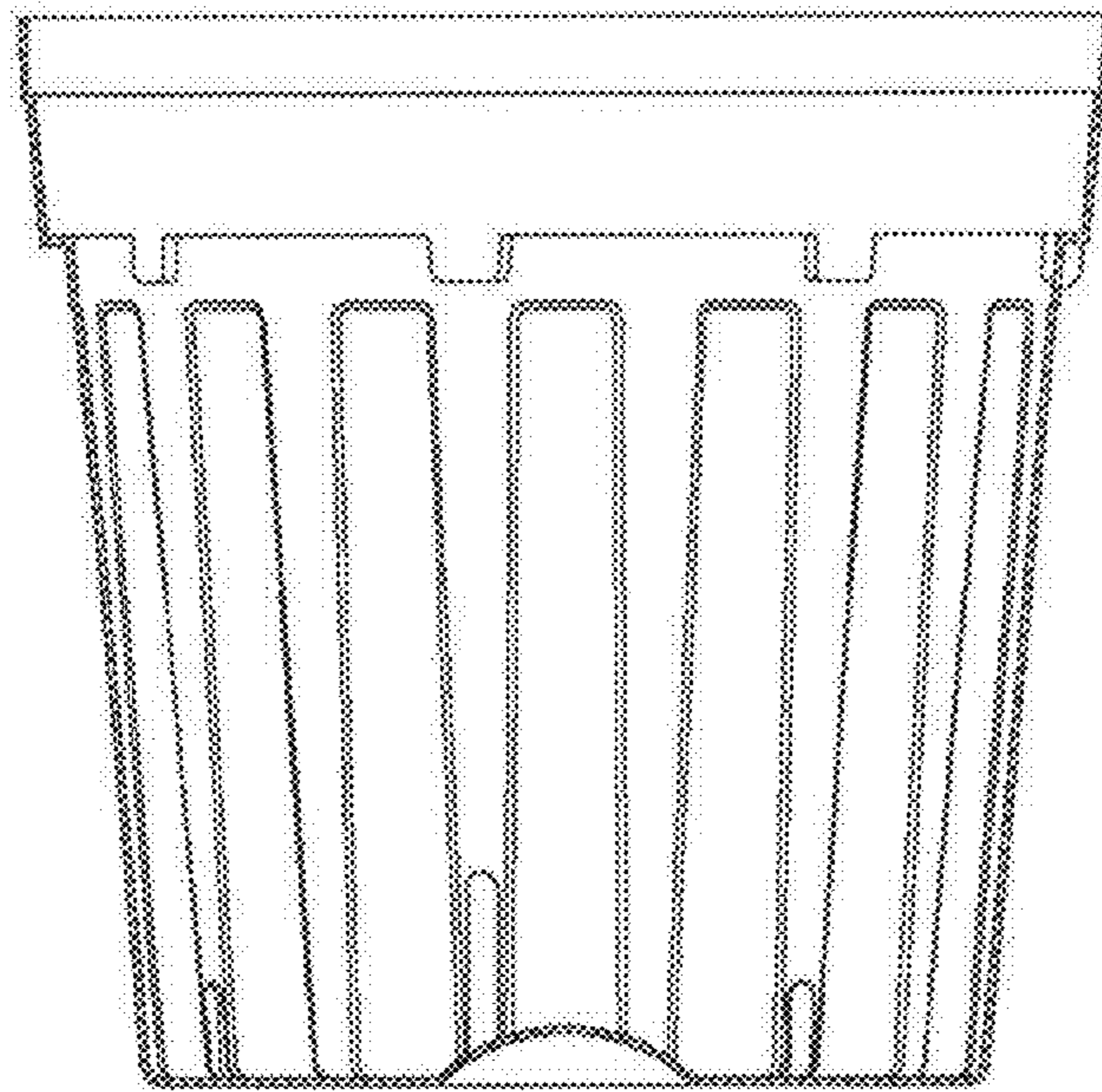


FIG. 6

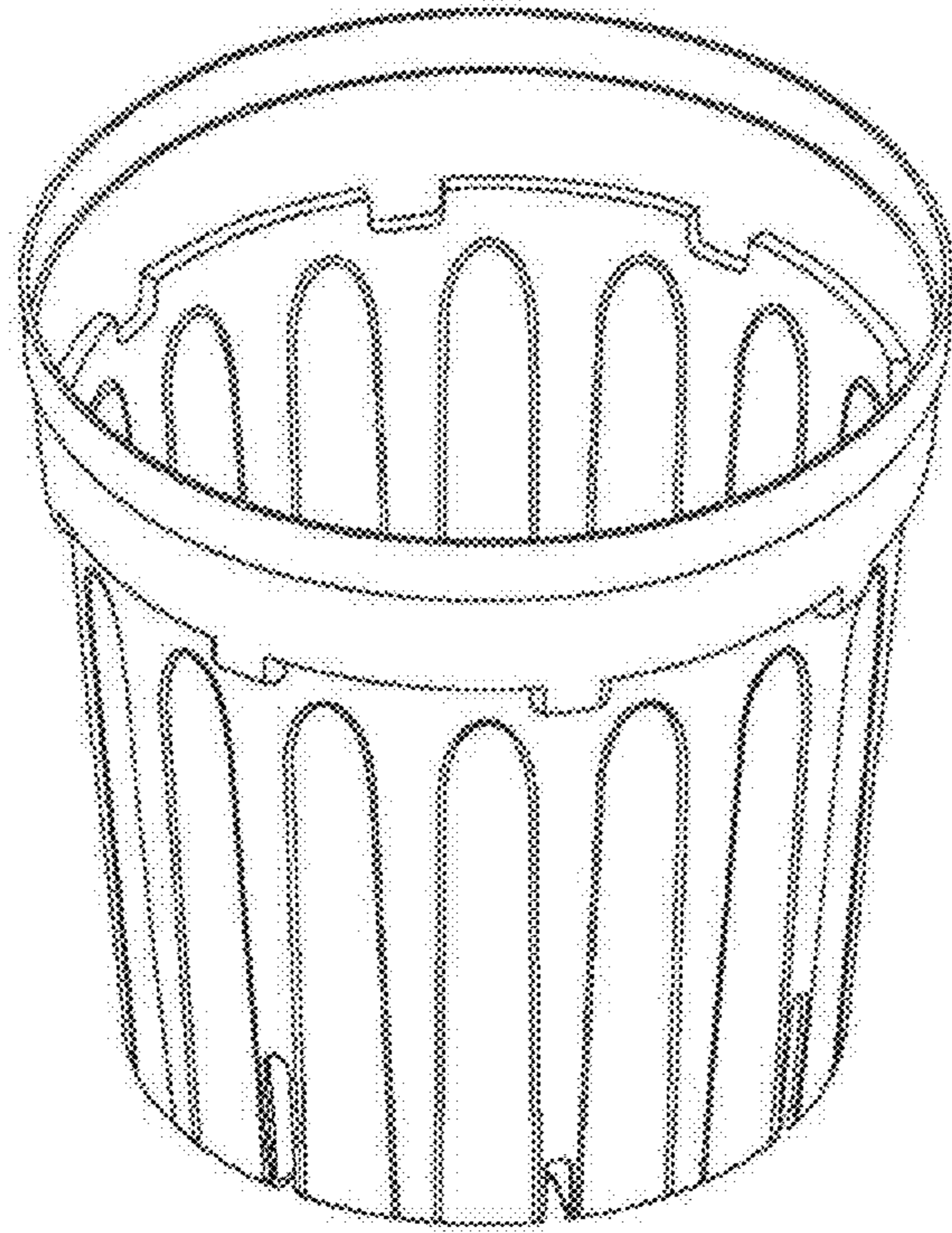


FIG. 7

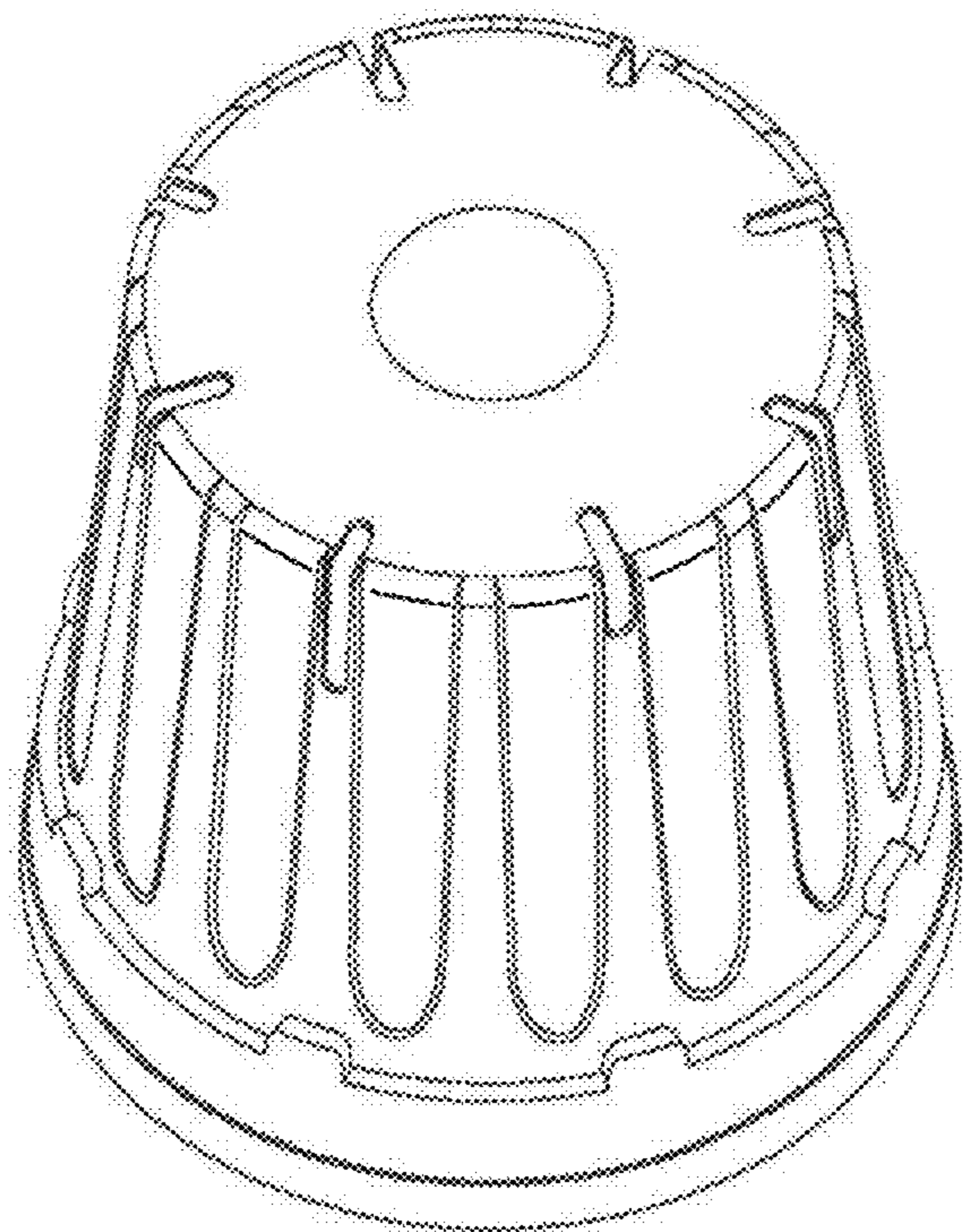


FIG. 8

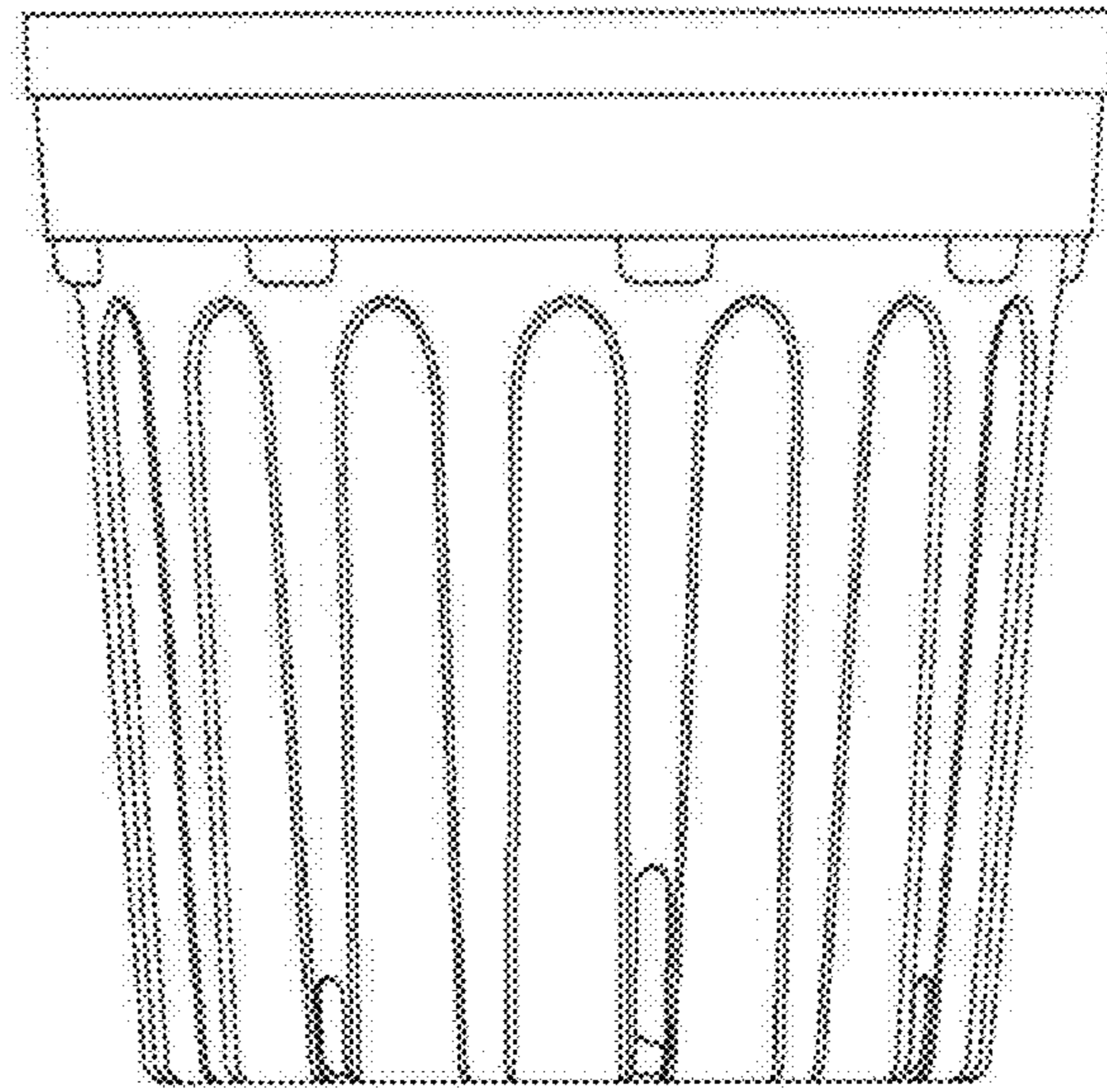


FIG. 9

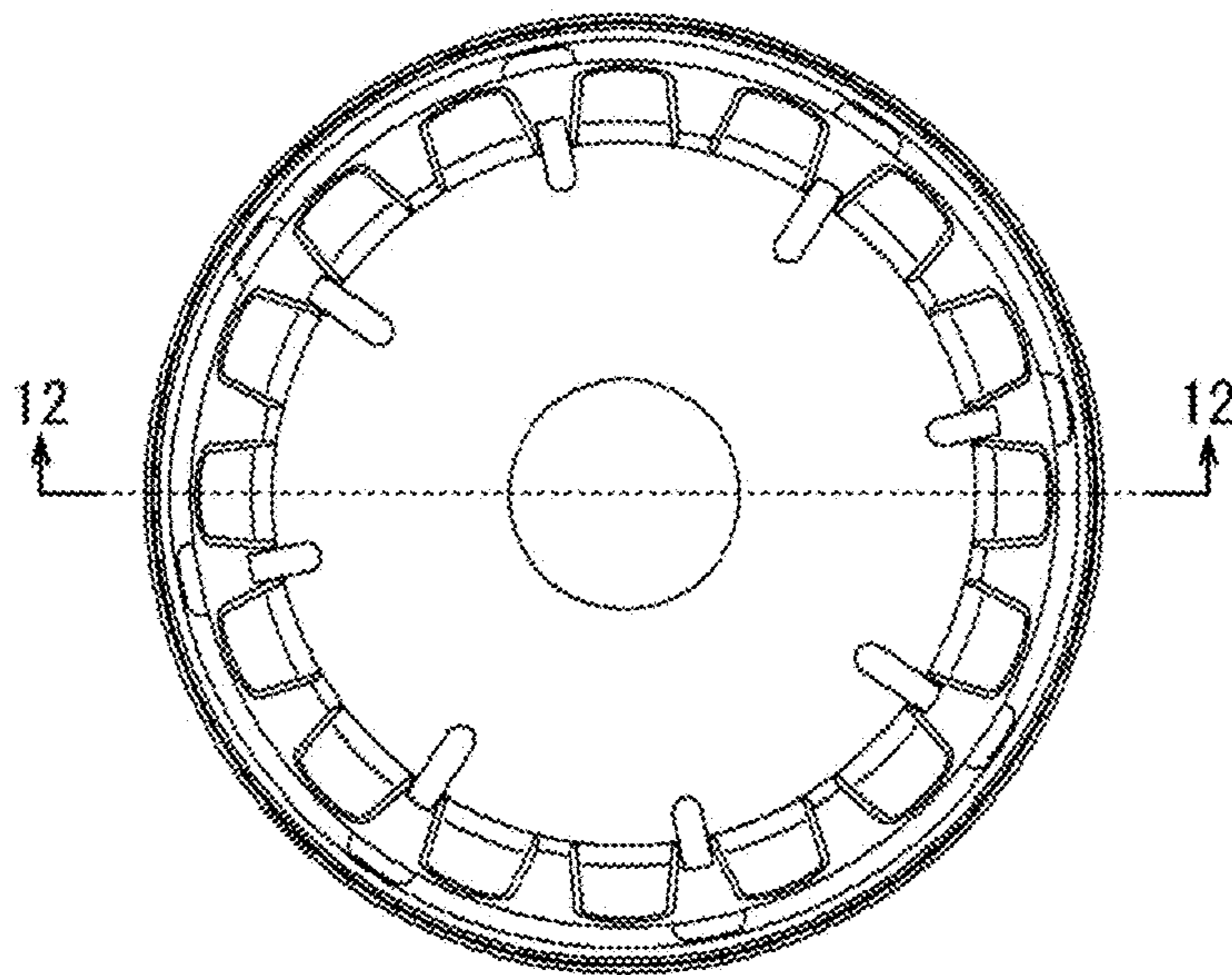


FIG. 10

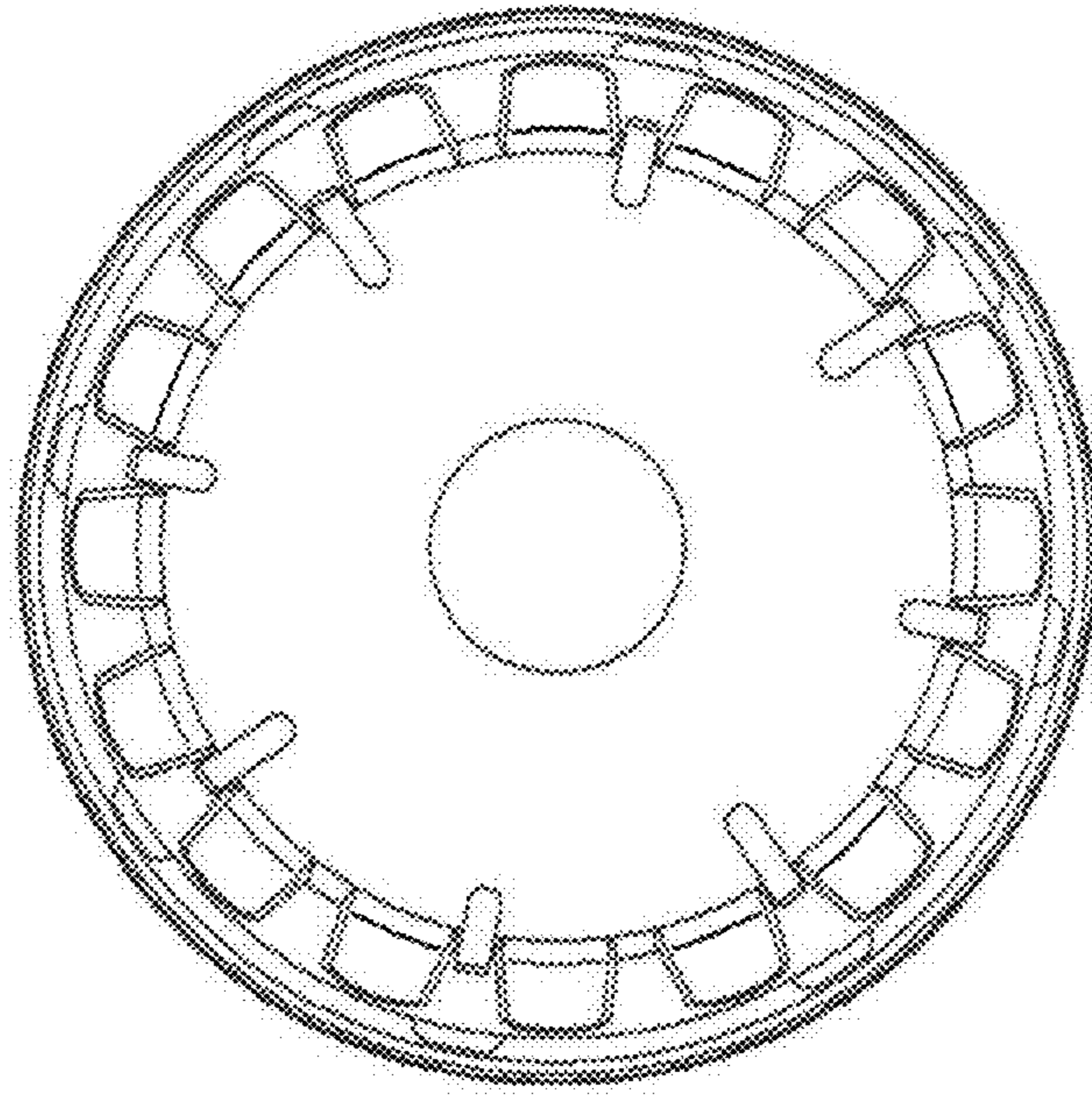


FIG. 11

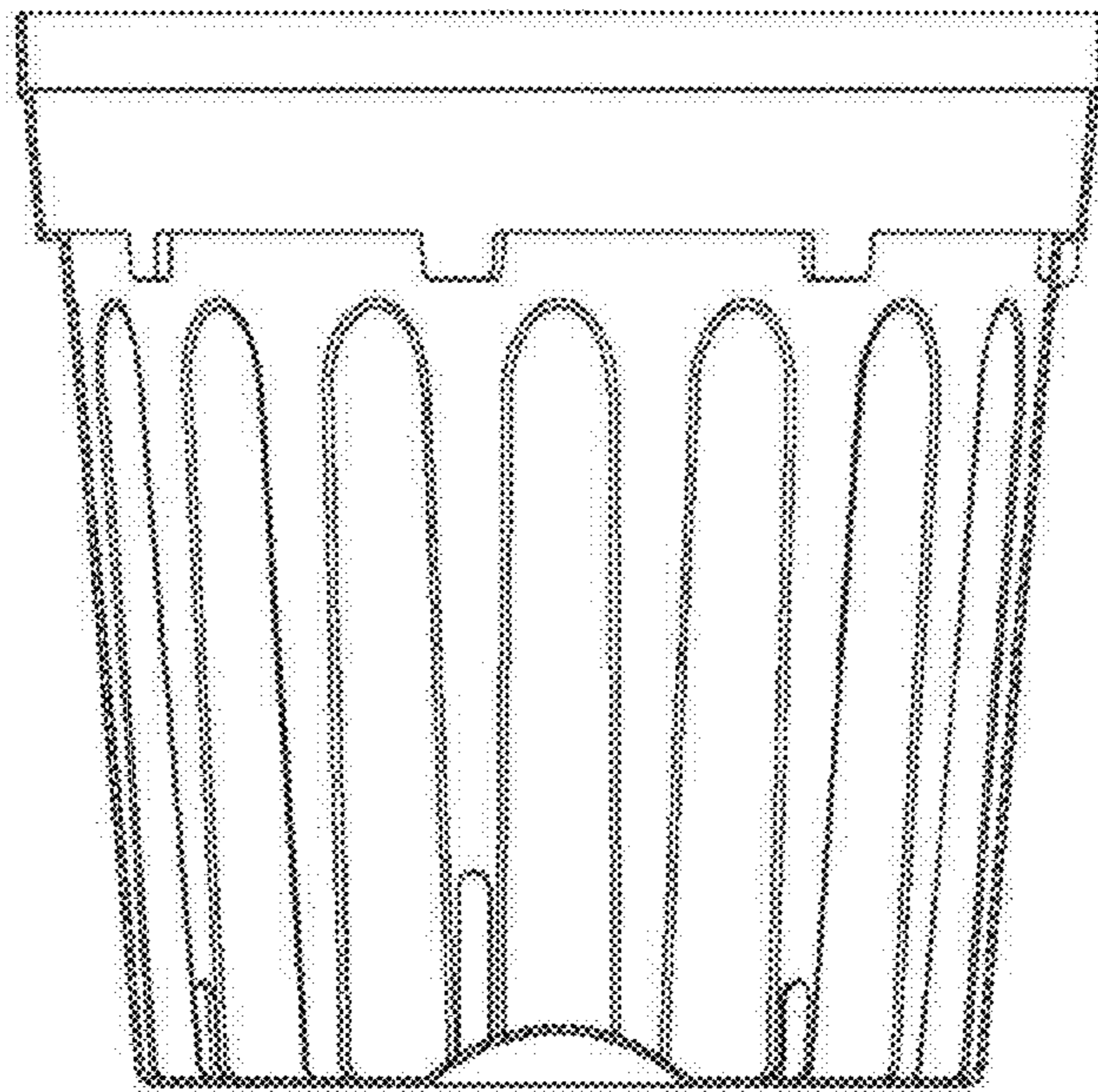


FIG. 12

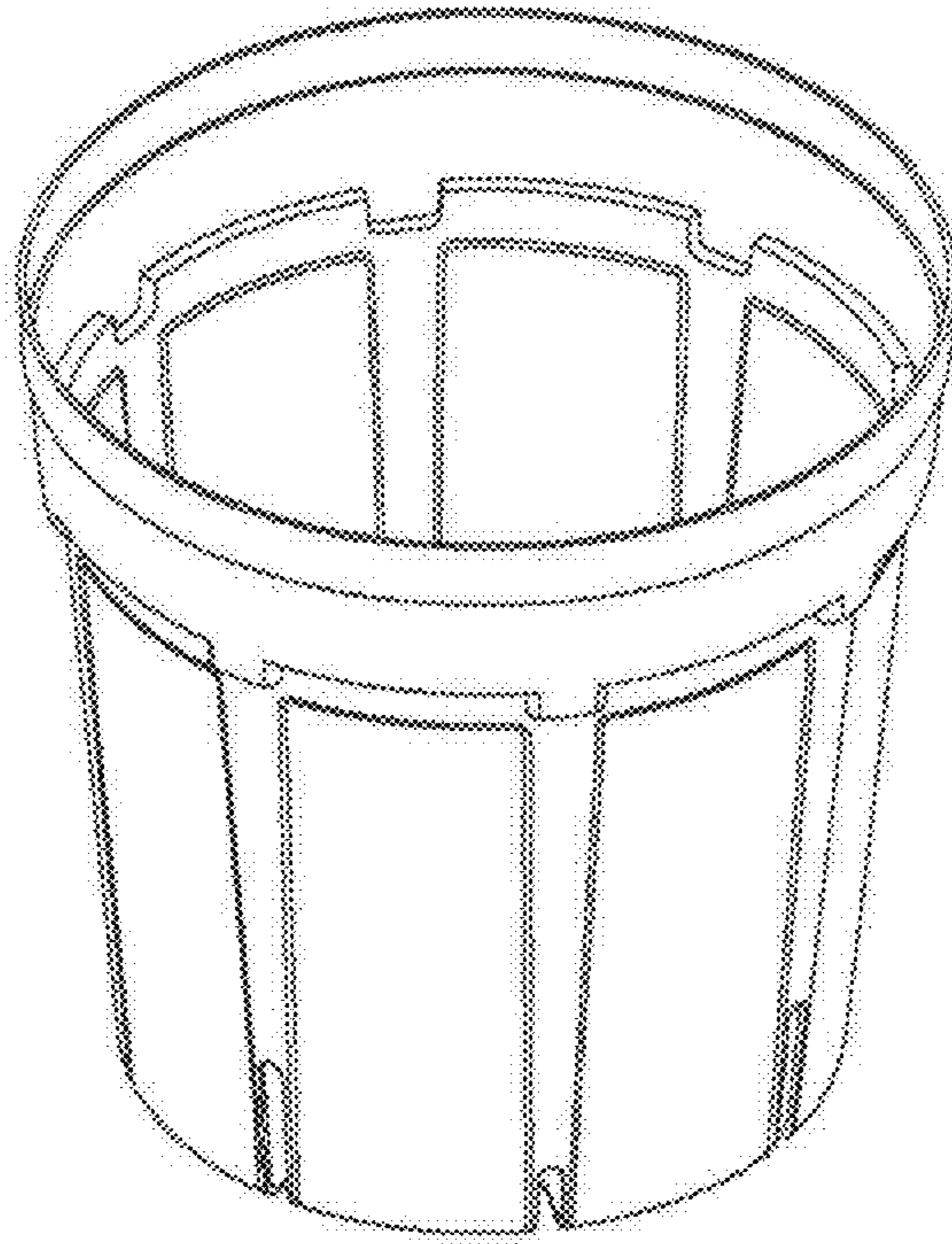


FIG. 13

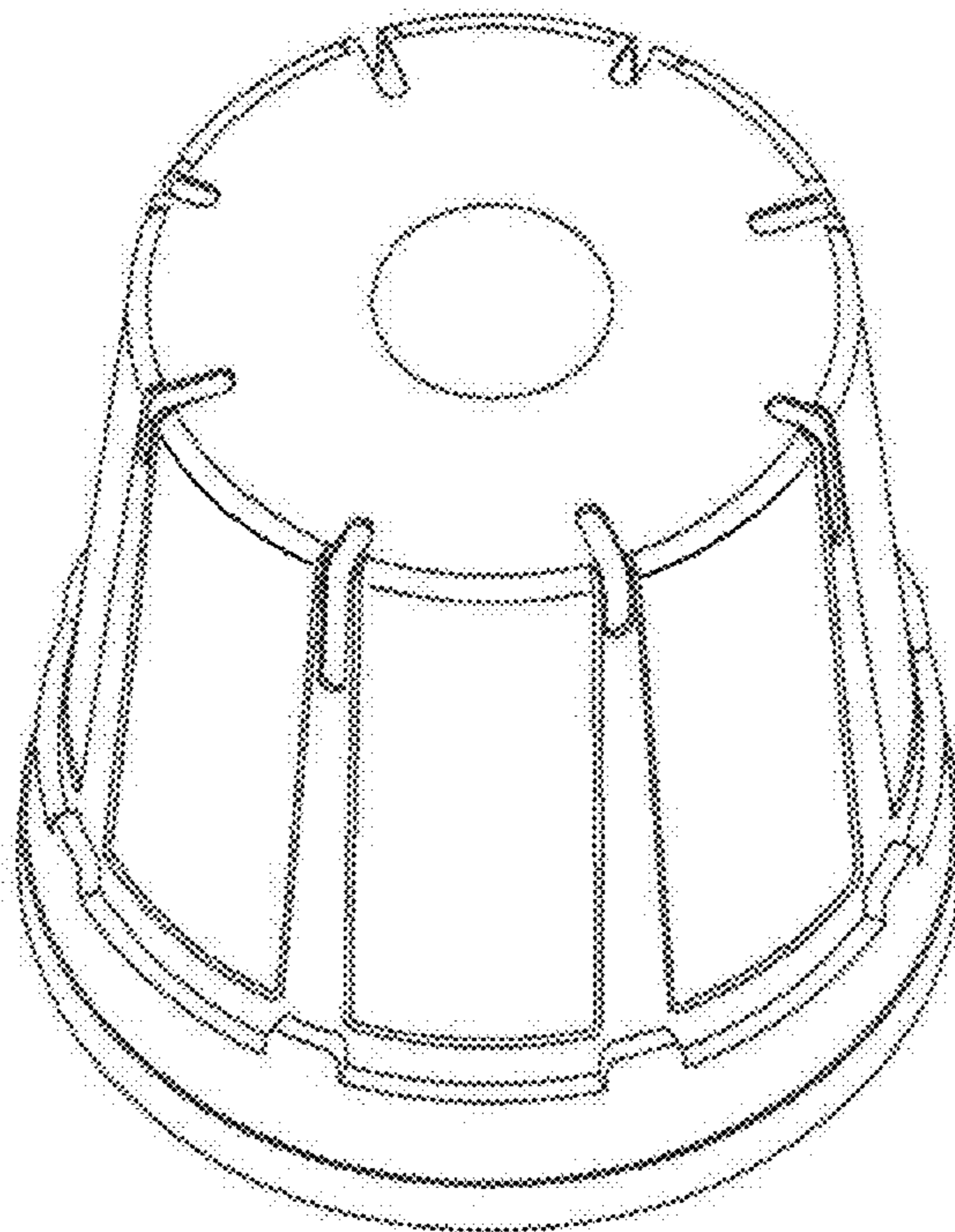


FIG. 14

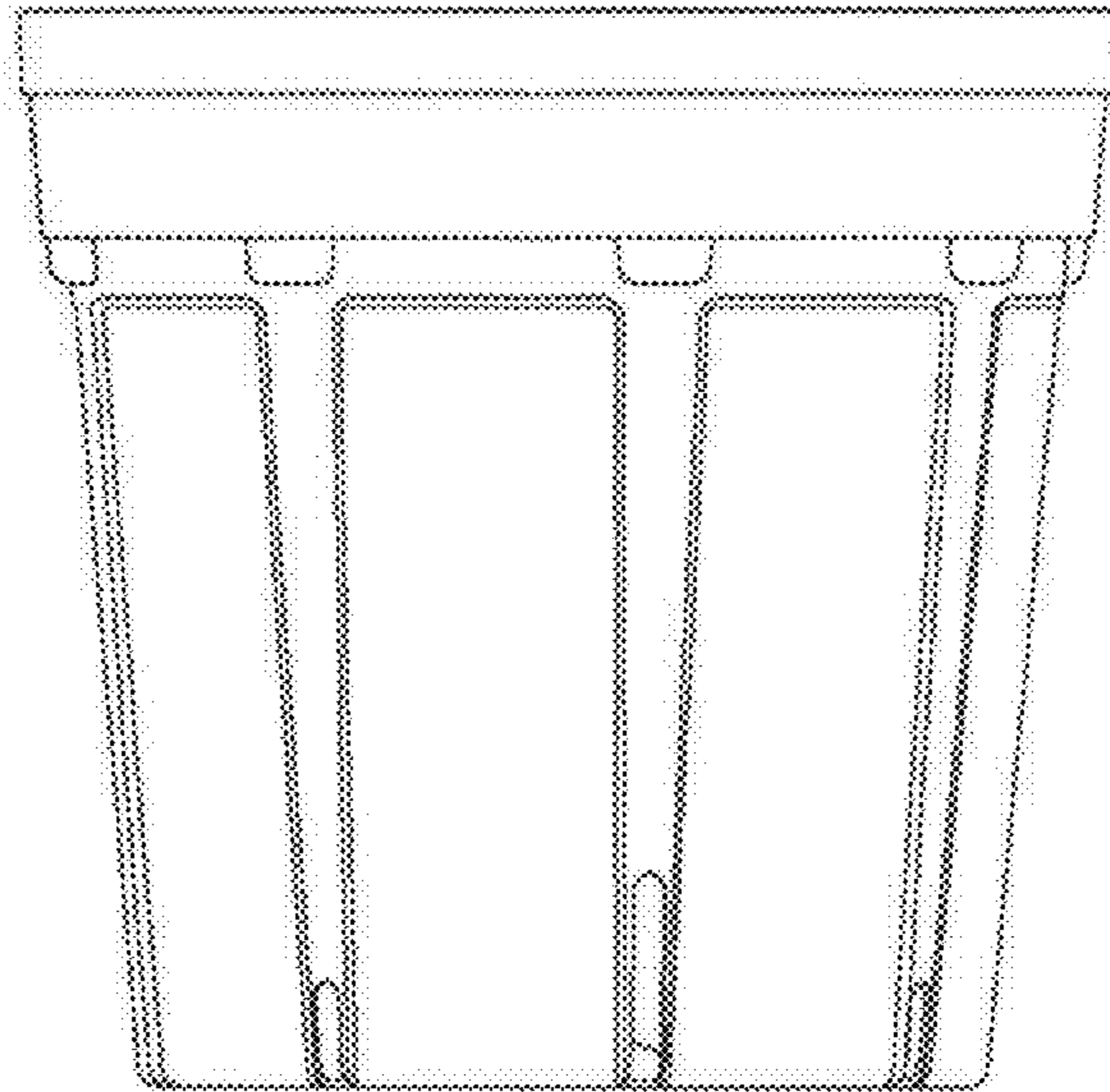


FIG. 15

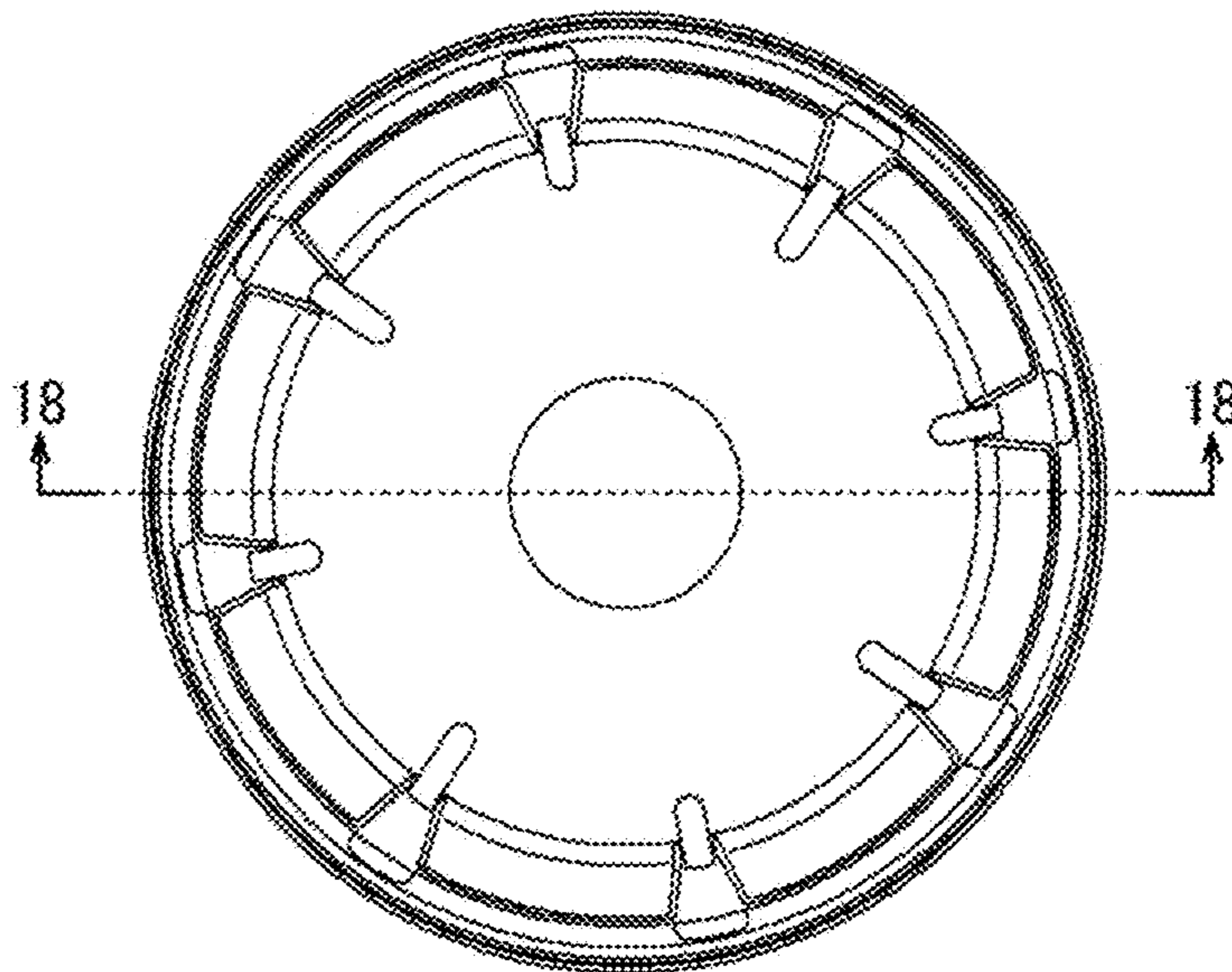


FIG. 16

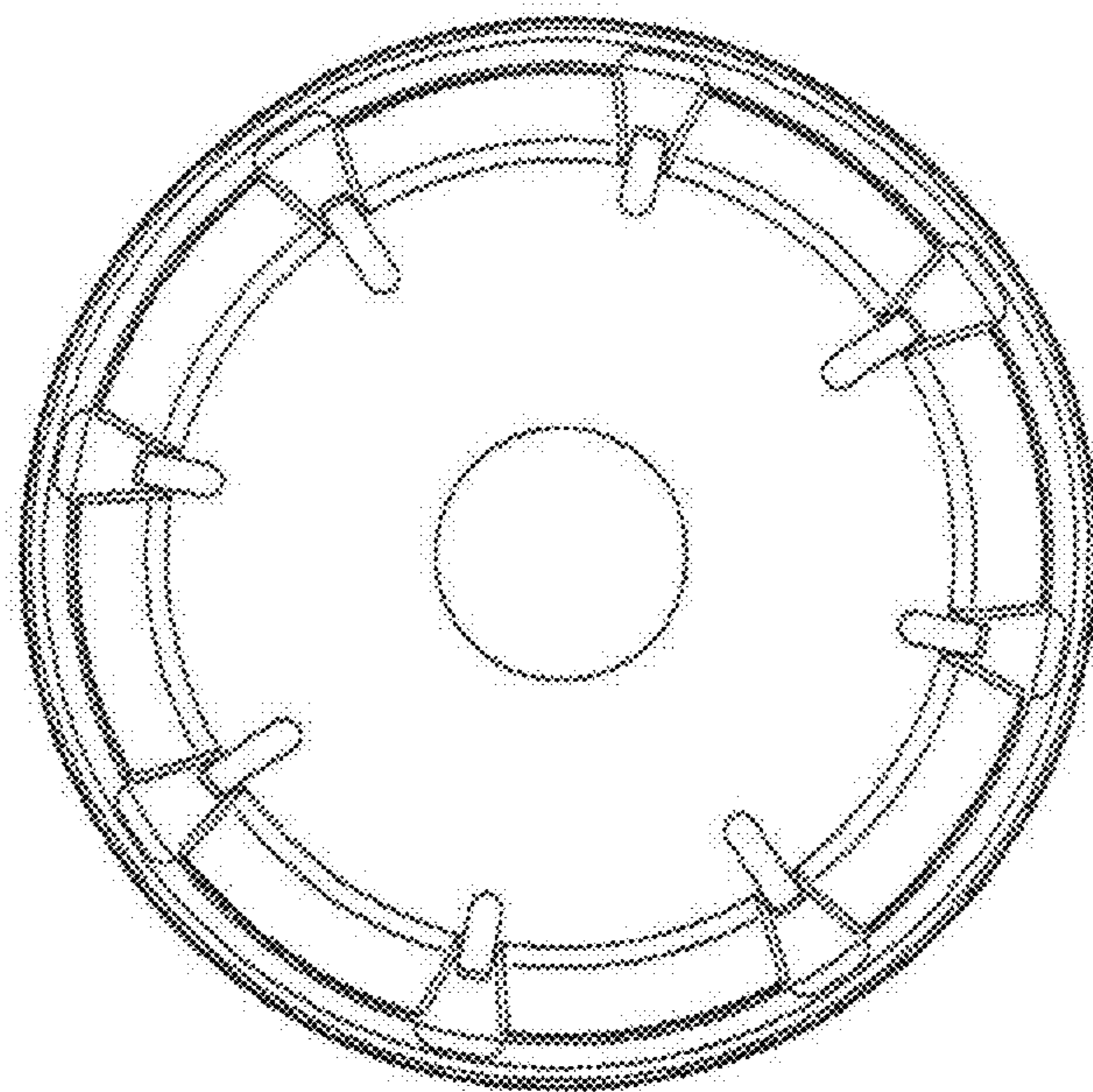


FIG. 17

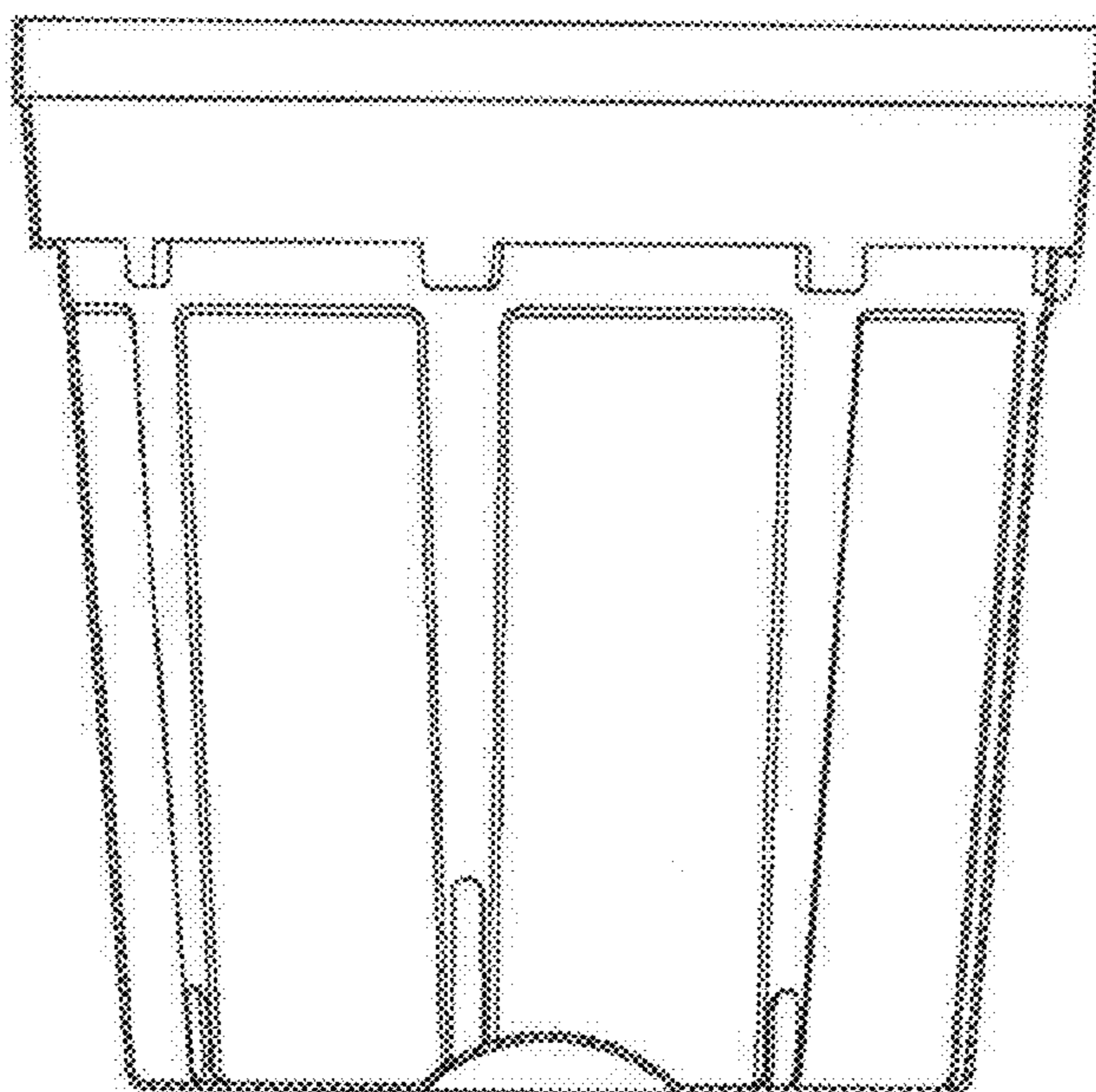


FIG. 18

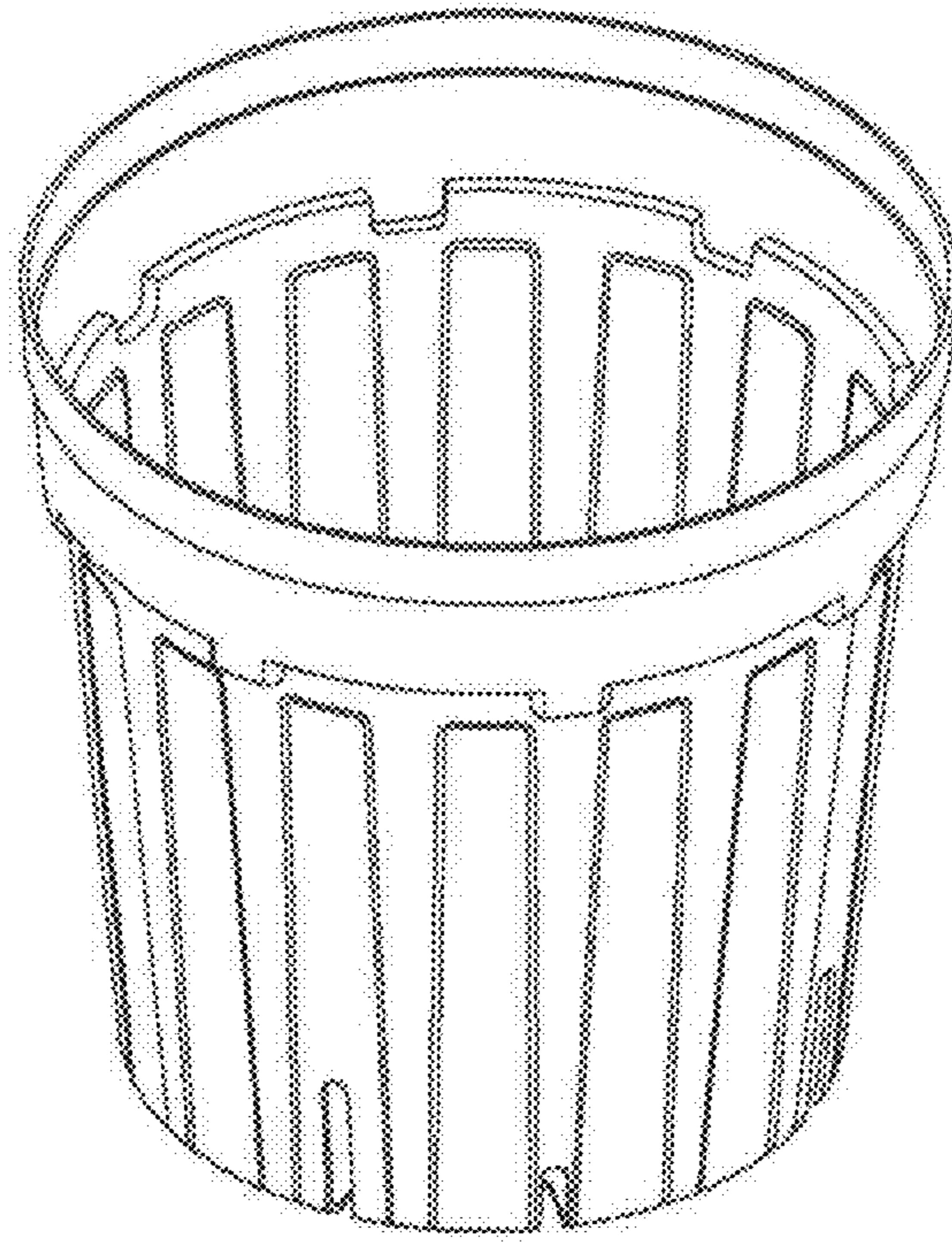


FIG. 19

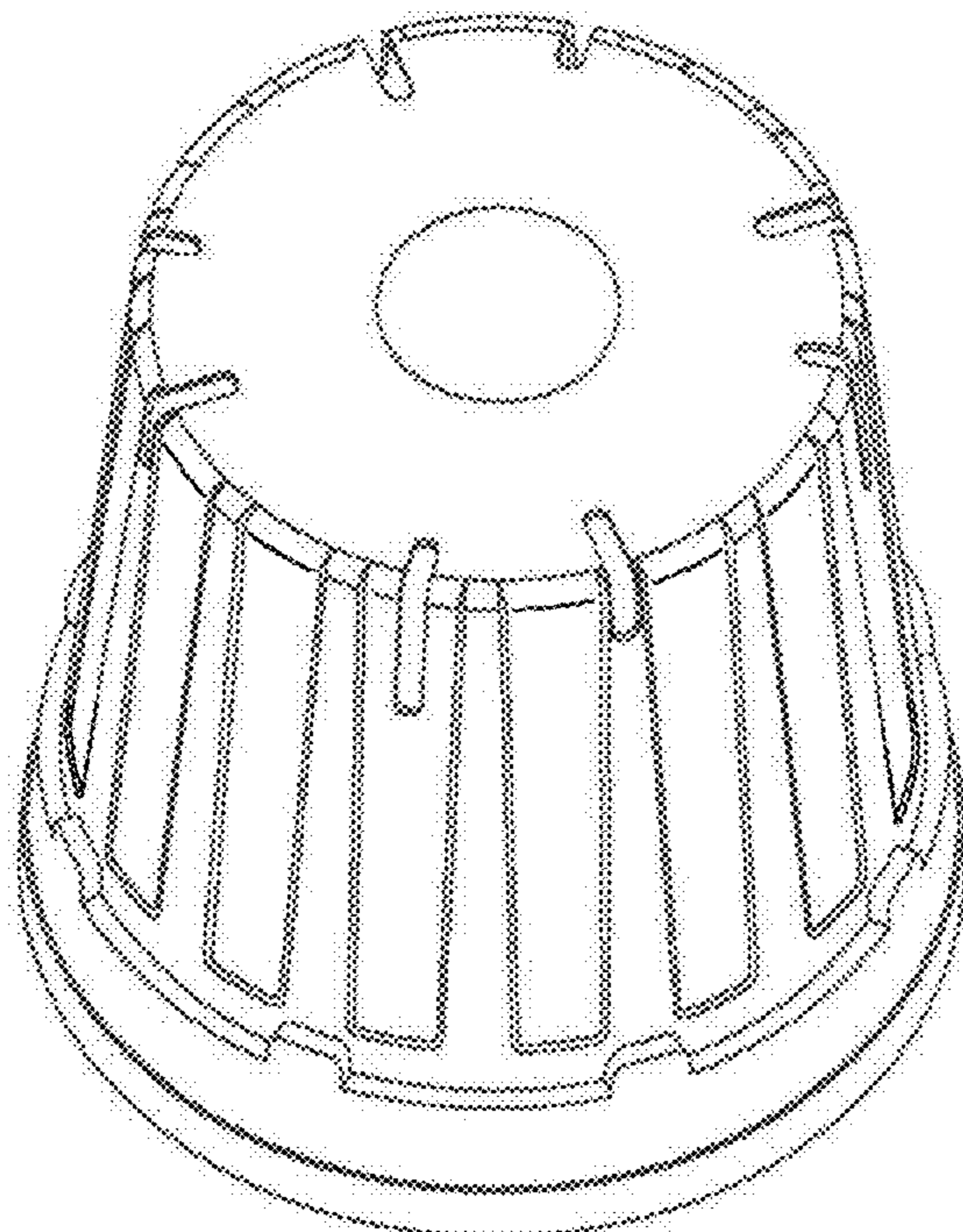


FIG. 20

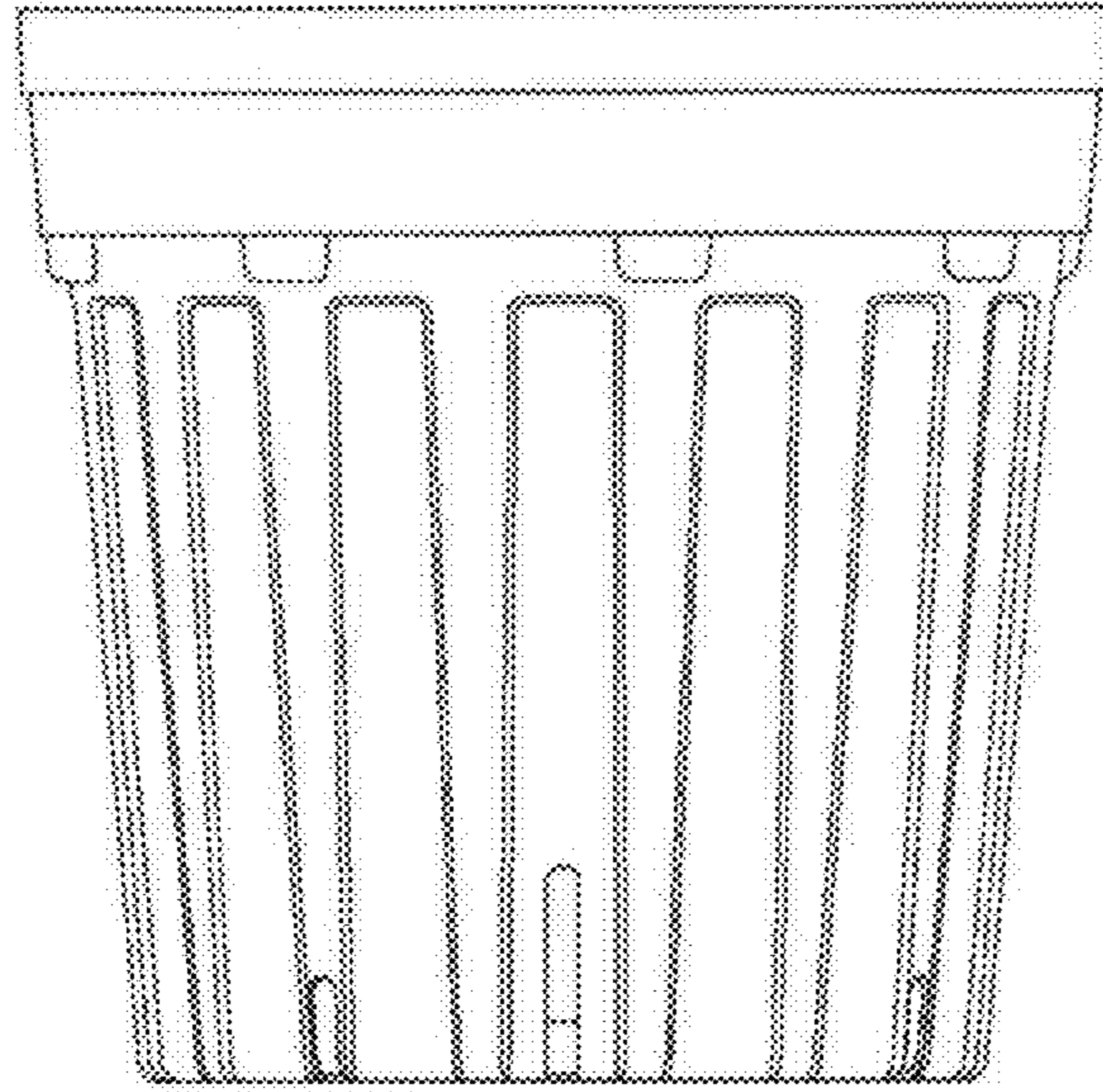


FIG. 21

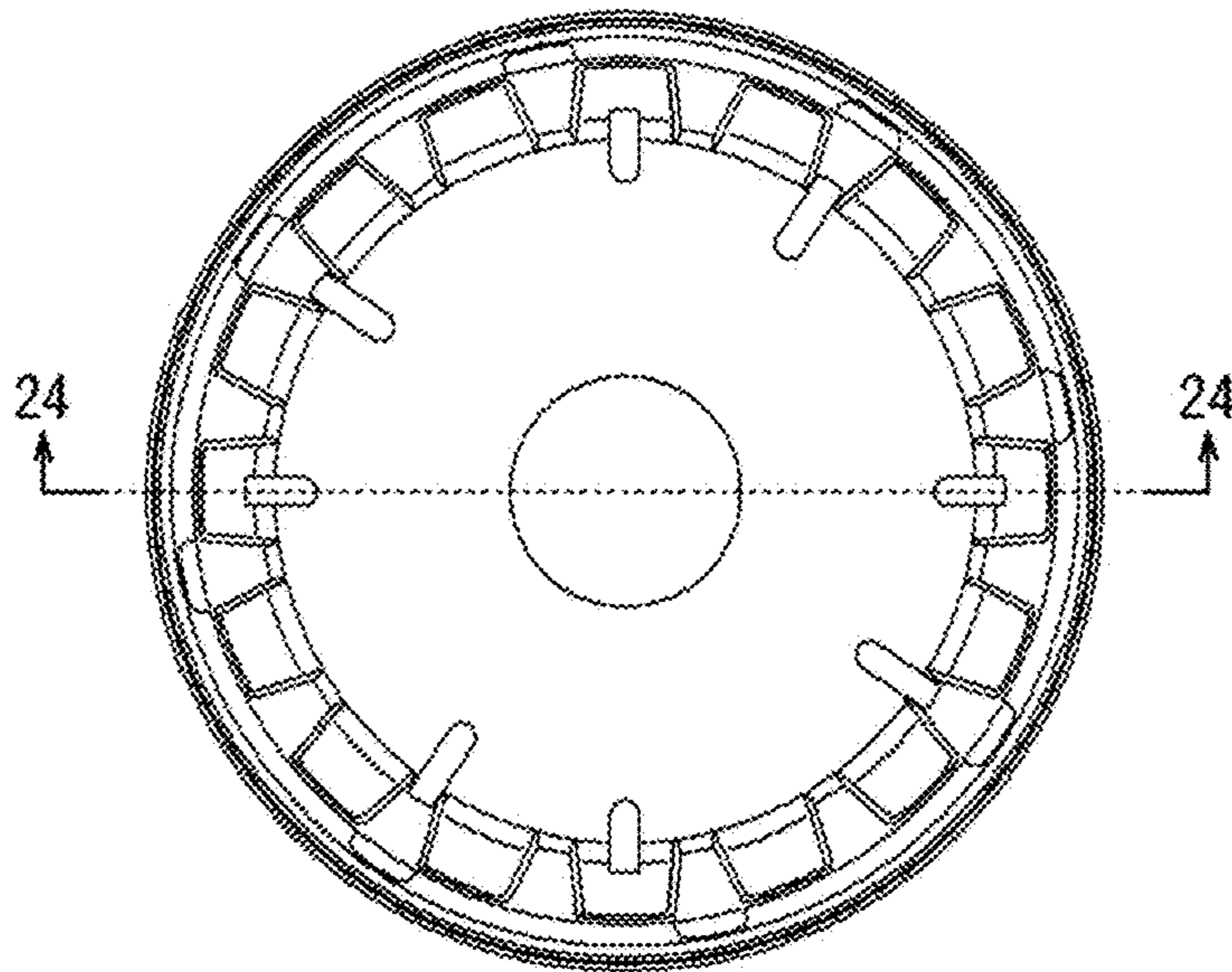


FIG. 22

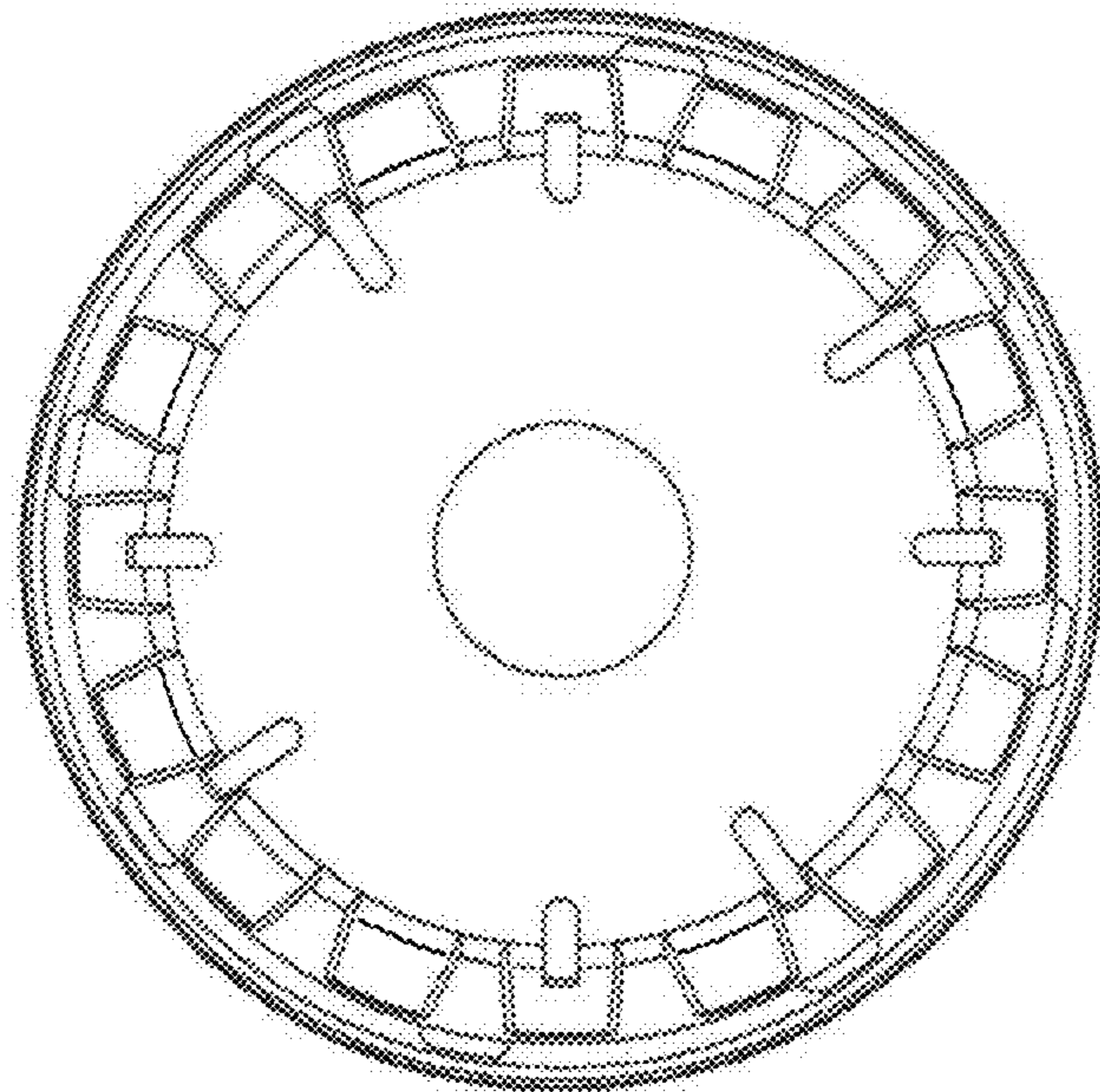


FIG. 23

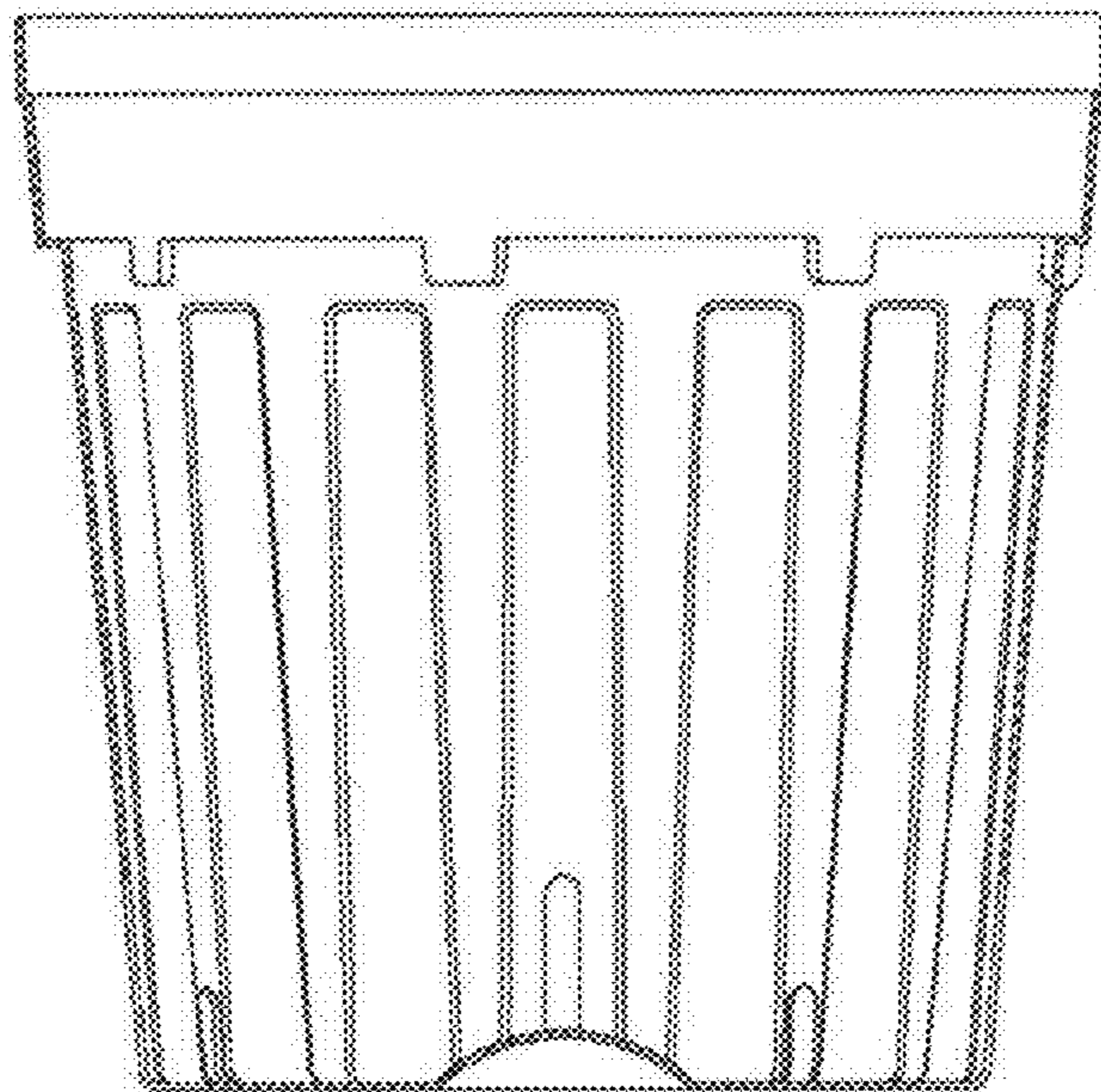


FIG. 24