



US00D852088S

(12) **United States Design Patent**
Harshman

(10) **Patent No.:** **US D852,088 S**
(45) **Date of Patent:** **** Jun. 25, 2019**

(54) **CIRCULAR FLAT BASE FLORAL DESIGN MECHANIC**

3,630,811 A 12/1971 Radus
3,768,202 A 10/1973 Wheelock
D246,742 S * 12/1977 Baker D26/129
D262,611 S * 1/1982 Gonzales D11/143

(71) Applicant: **Syndicate Sales, Inc.**, Kokomo, IN
(US)

(Continued)

(72) Inventor: **Trent A. Harshman**, Galveston, IN
(US)

FOREIGN PATENT DOCUMENTS

(73) Assignee: **Syndicate Sales, Inc.**, Kokomo, IN
(US)

DE 402013100427-0001 8/2013
JP 40304971 A 3/1991

(Continued)

(**) Term: **15 Years**

OTHER PUBLICATIONS

(21) Appl. No.: **29/671,938**

YouTube.com—Flower Joos, Published Sep. 10, 2018, New Design Mechanics—Floral Pillow and Egg, Site visited on Dec. 28, 2018, Available on the Internet URL: <https://www.youtube.com/watch?v=fGcAJVTP8Ss>.*

(22) Filed: **Nov. 30, 2018**

(Continued)

Related U.S. Application Data

(63) Continuation-in-part of application No. 29/596,435, filed on Mar. 8, 2017.

(51) **LOC (11) Cl.** **11-02**

(52) **U.S. Cl.**
USPC **D11/143**

(58) **Field of Classification Search**
USPC D11/143, 144, 145, 146
CPC A01G 31/02; Y02P 60/216
See application file for complete search history.

Primary Examiner — Karen S Acker

Assistant Examiner — Steven B Reinholdt, Jr.

(74) *Attorney, Agent, or Firm* — Woodard, Emhardt, Henry, Reeves & Wagner, LLP; William McKenna; Thomas Henry

(56) **References Cited**

U.S. PATENT DOCUMENTS

626,013 A 5/1899 Walker
1,962,110 A 6/1934 Ash
2,005,966 A 6/1935 Beagle
2,209,891 A * 7/1940 Hoover A01G 13/0281
47/32
2,637,143 A 5/1953 Reynolds et al.
2,982,051 A * 5/1961 Wheelock A47G 7/07
47/41.13
3,274,596 A * 9/1966 Raabe H01Q 1/082
342/10

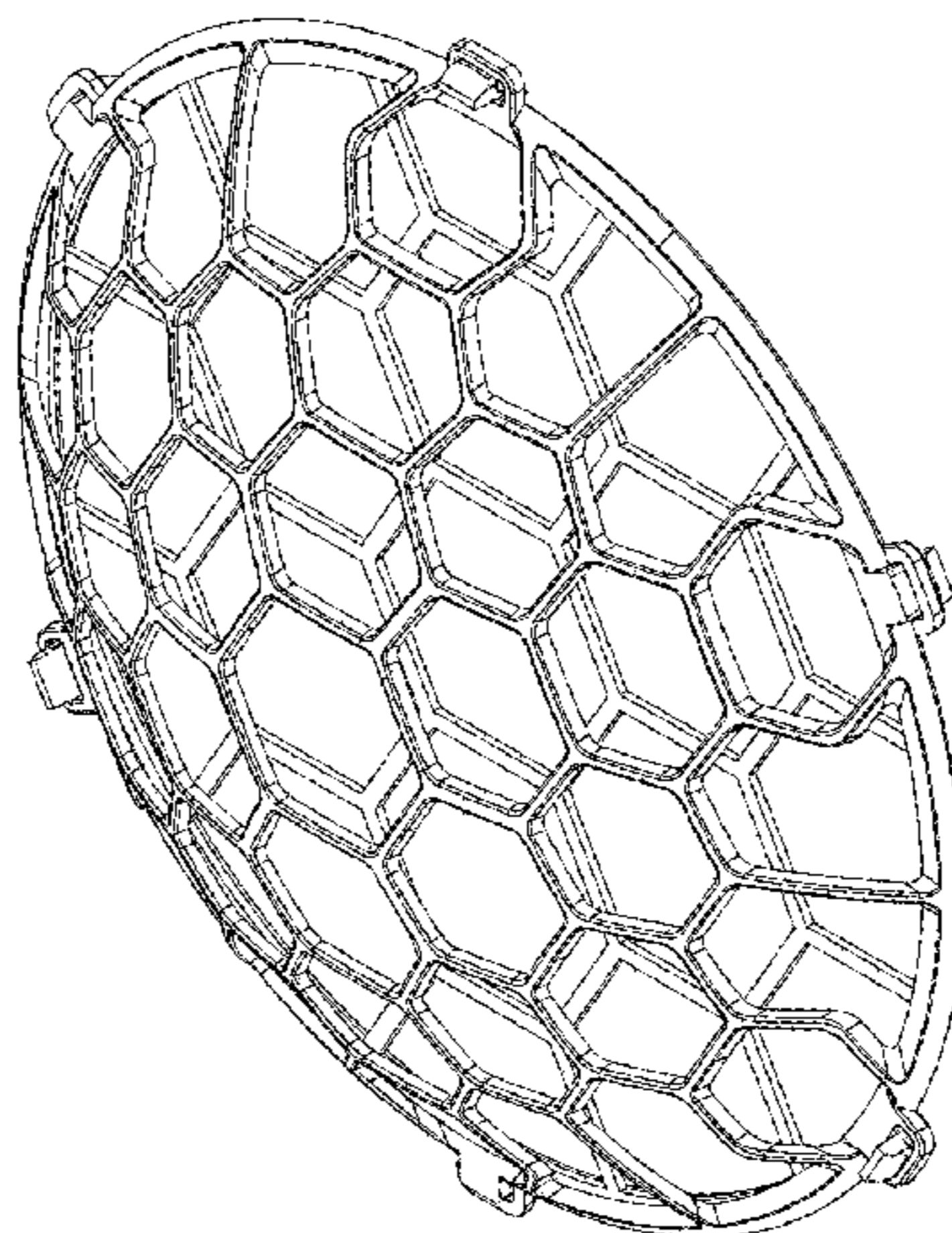
(57) **CLAIM**

The ornamental design for a circular flat base floral design mechanic, as shown.

DESCRIPTION

FIG. 1 is a top perspective view of the circular flat base floral design mechanic incorporating our new design;
FIG. 2 is a front view thereof;
FIG. 3 is a rear view thereof;
FIG. 4 is a left view thereof;
FIG. 5 is a right view thereof;
FIG. 6 is a top view thereof; and,
FIG. 7 is a bottom view thereof.

1 Claim, 5 Drawing Sheets



(56)

References Cited

U.S. PATENT DOCUMENTS

5,236,196 A * 8/1993 Blankenburg G09B 23/04
434/213
D340,882 S * 11/1993 Holtkamp, Jr. D11/143
D379,779 S * 6/1997 Shryock D11/143
6,523,301 B2 2/2003 Delaney
D624,454 S * 9/2010 Kertz D11/145
D636,114 S * 4/2011 De Lucchi D26/128
8,708,166 B1 * 4/2014 Crouch A01G 5/04
211/181.1
8,763,306 B1 7/2014 Perlswieg
9,161,888 B2 * 10/2015 Lamar A61J 17/007
D767,688 S * 9/2016 Nelson D21/398
D827,041 S * 8/2018 Brand D21/452
D827,052 S * 8/2018 Flores D21/552
D837,898 S * 1/2019 Flores D21/431
2006/0185231 A1 * 8/2006 Barrett A47G 7/07
47/41.11
2009/0170643 A1 * 7/2009 Silverglate A63B 39/00
473/567
2010/0095585 A1 4/2010 Hall

2010/0179593 A1 * 7/2010 Lamar A61J 17/007
606/236
2011/0131877 A1 * 6/2011 Terasawa A01G 9/086
47/66.5
2013/0219785 A1 * 8/2013 Ritchotte A01G 9/12
47/45

FOREIGN PATENT DOCUMENTS

JP 408299135 A 11/1996
JP 02007014713 A 1/2007

OTHER PUBLICATIONS

Slow Flower Journal, New Design Mechanics from Syndicate Sales and Holly Chapple, Publication date Oct. 22, 2017, [Publication date unknown], Available on the Internet URL <http://slowflowersjournal.com/index.php/2017/10/22/new-design-mechanics-from-syndicate-sales-and-holly-chapple/>. *
Google Search—<https://www.google.com/search?q=florat+wire+frog&rlz=1C1CHFEnUS586US587&source=lnms&tbm=isch&sa=X&ved=0ahUKEwiE5LL7n13SAHUrhl1QKHRiHBZwQAUICSgC&biw=1097&bih=543&dpr=1.75#imgc=6dPflHU6c9Mxrm—16pgs>

* cited by examiner

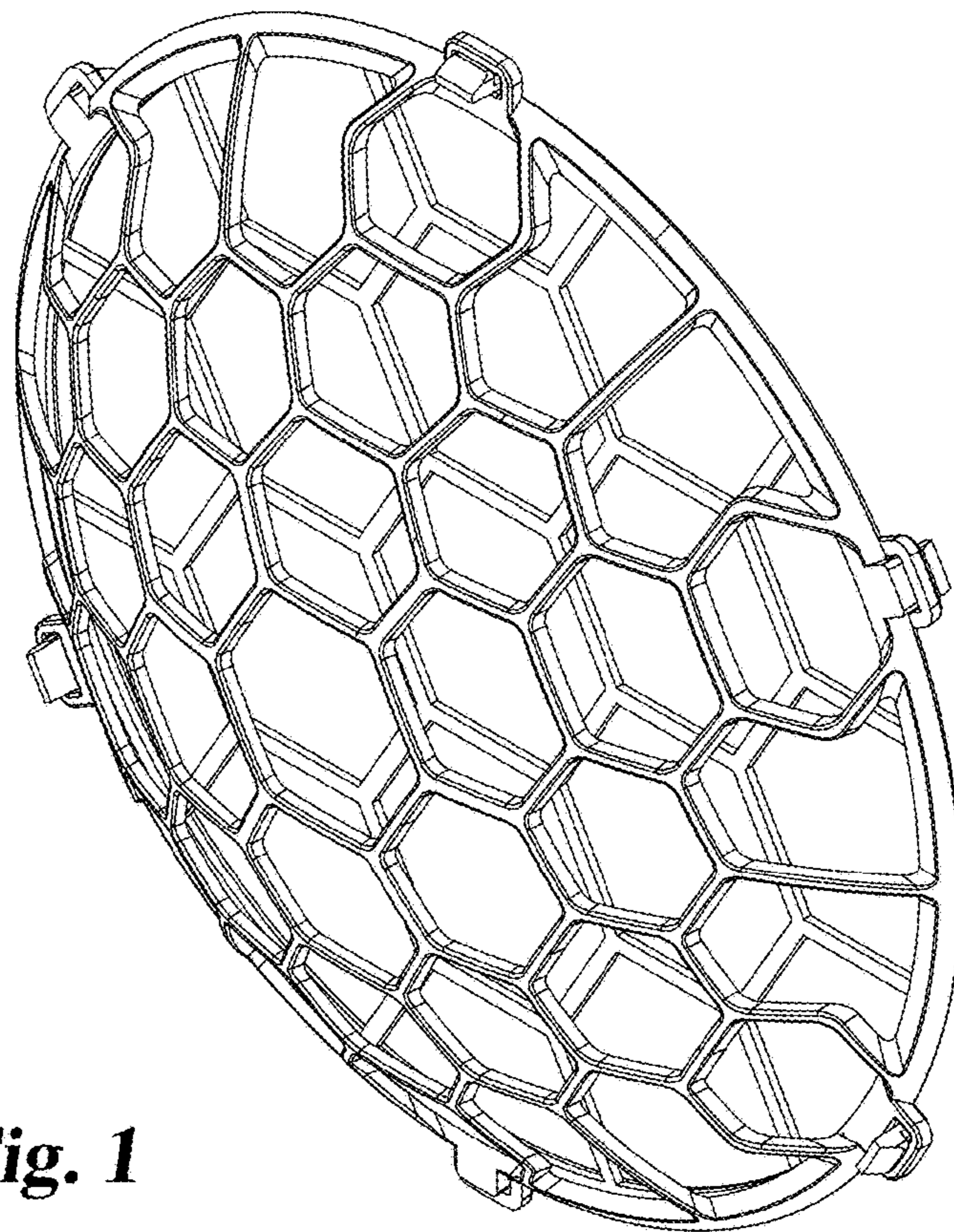


Fig. 1

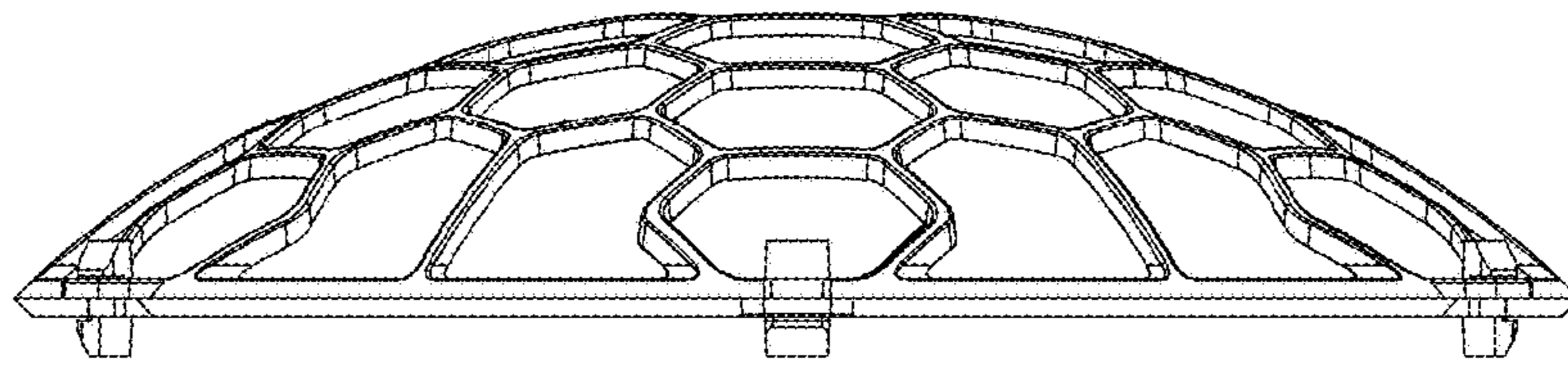


Fig. 2

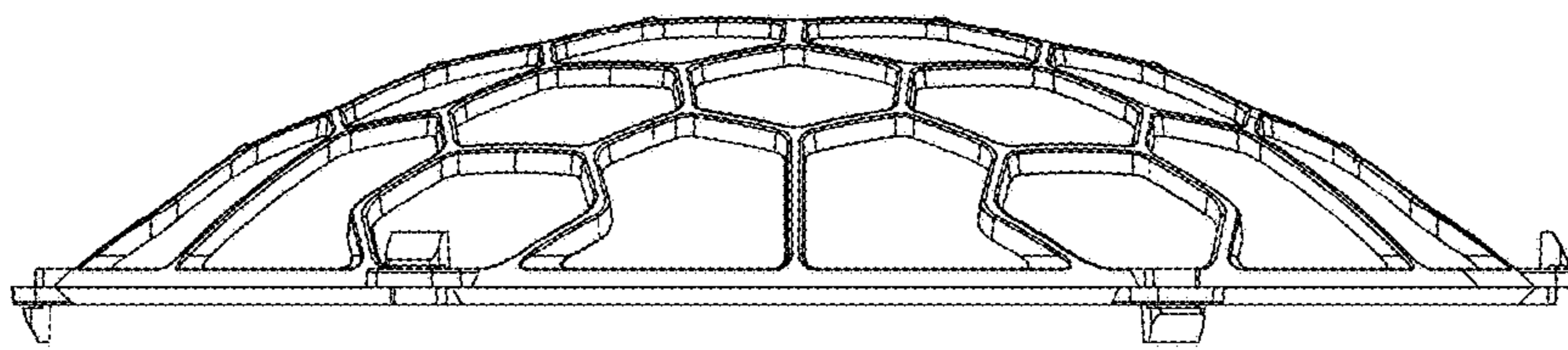


Fig. 3

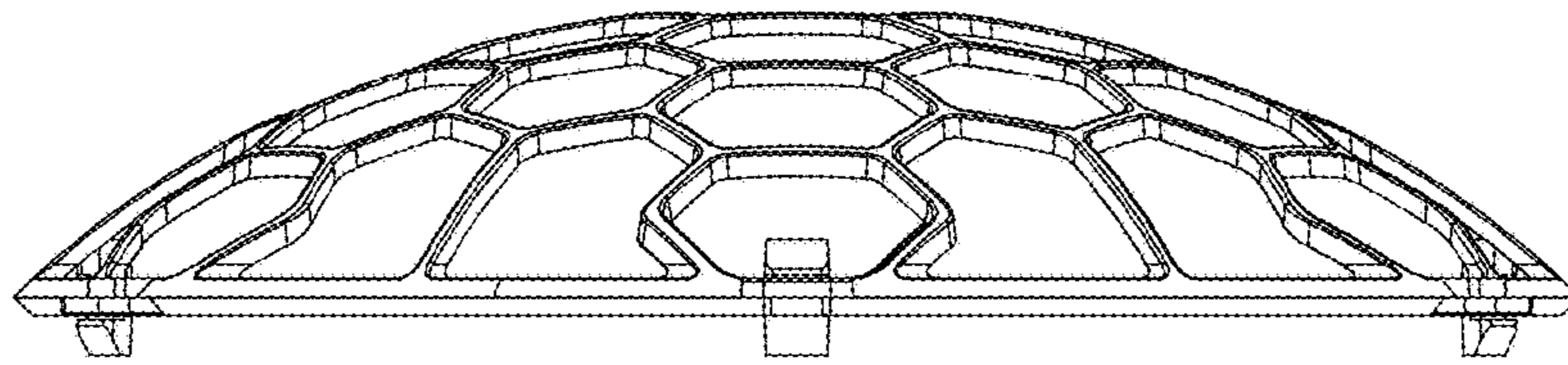


Fig. 4

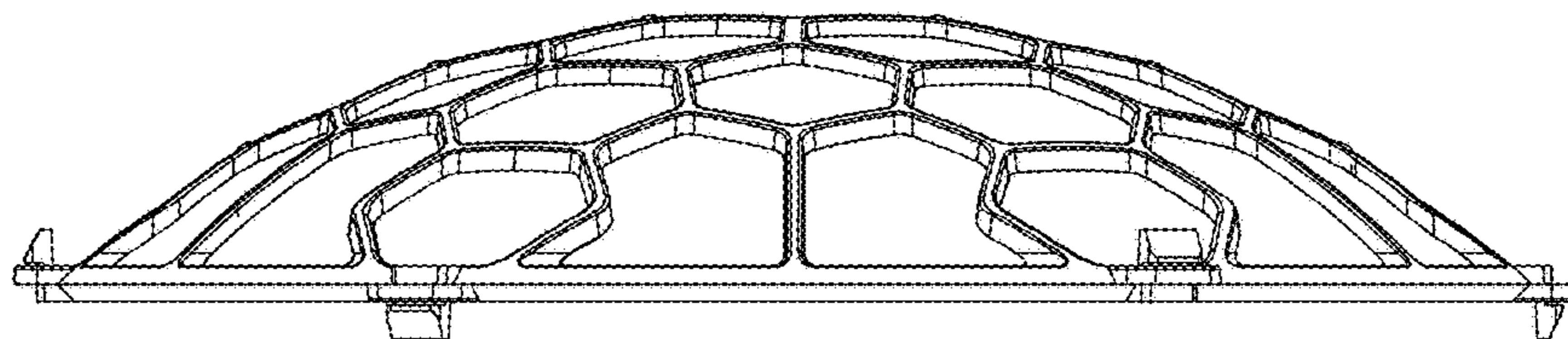


Fig. 5

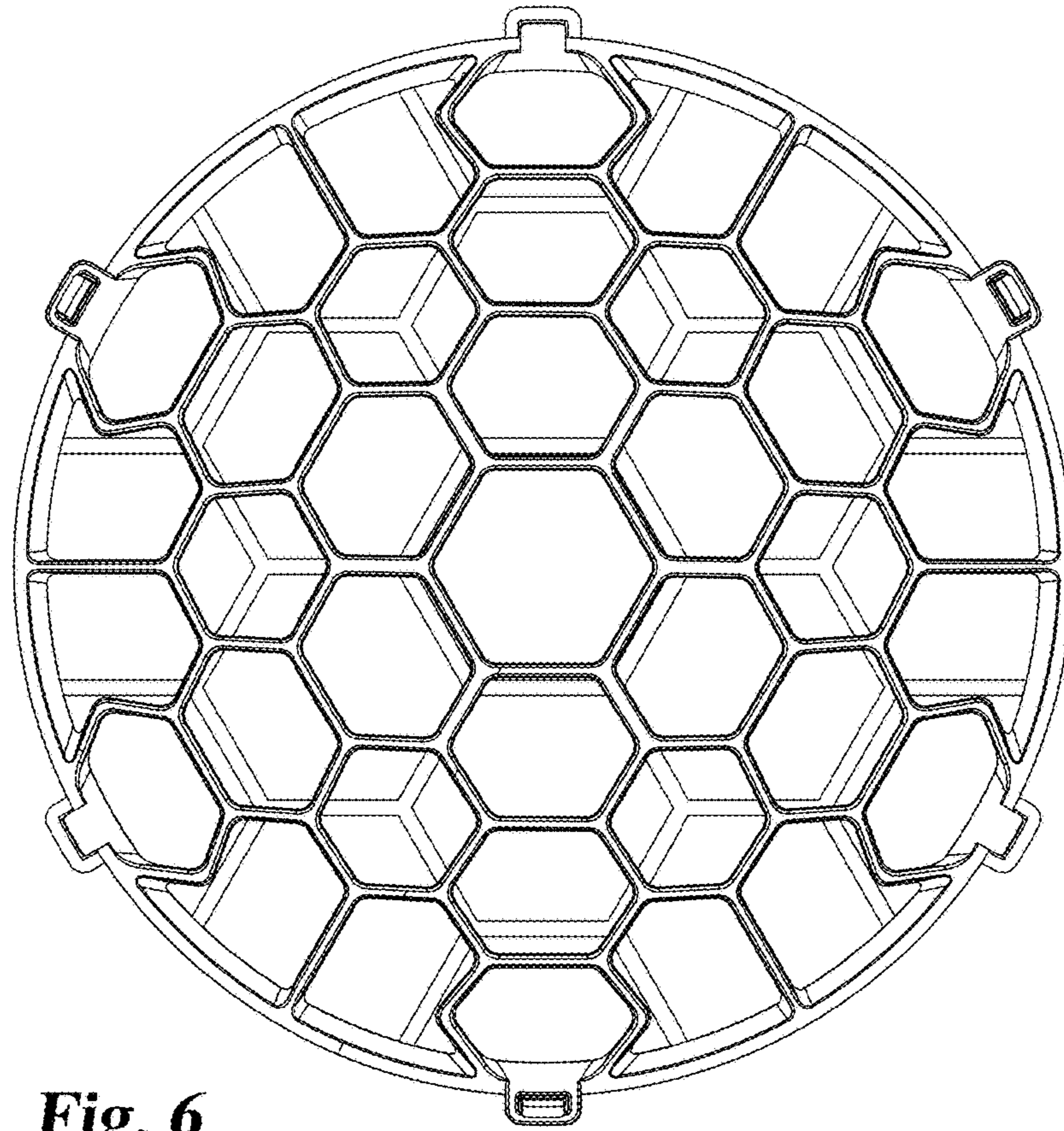


Fig. 6

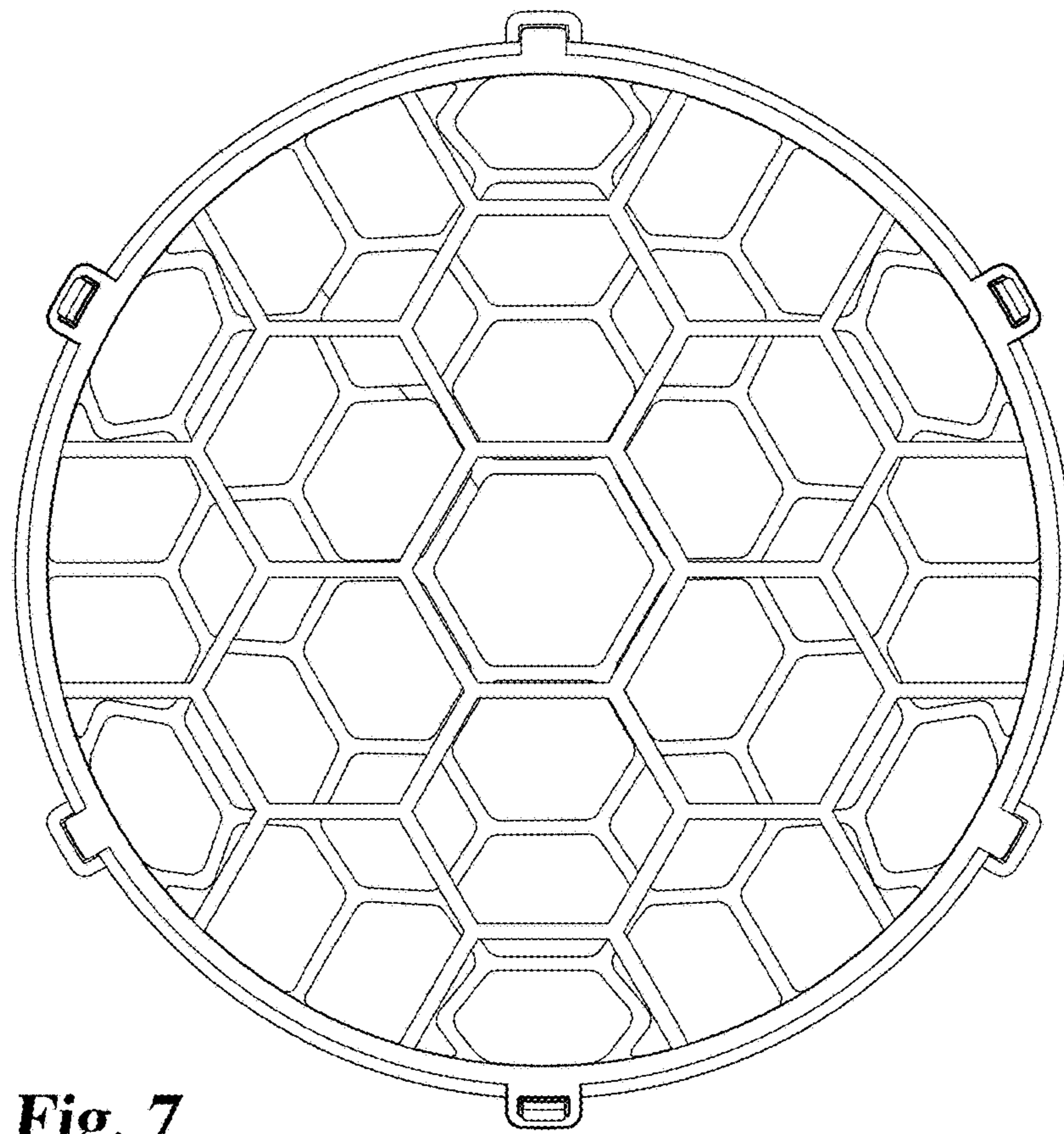


Fig. 7