



US00D852086S

(12) **United States Design Patent**
Crosby

(10) **Patent No.:** **US D852,086 S**

(45) **Date of Patent:** **** Jun. 25, 2019**

(54) **FLOWER POT**

(71) Applicant: **Airlite Plastics Co.**, Omaha, NE (US)

(72) Inventor: **Bradley J. Crosby**, Omaha, NE (US)

(73) Assignee: **Airlite Plastics Co.**, Omaha, NE (US)

(**) Term: **15 Years**

(21) Appl. No.: **29/598,393**

(22) Filed: **Mar. 24, 2017**

(51) **LOC (11) Cl.** **11-02**

(52) **U.S. Cl.**
USPC **D11/143**

(58) **Field of Classification Search**
USPC D8/1; D7/509, 523, 547; D11/143, 145,
D11/146, 148, 152, 153, 154, 155, 156;
D6/405

CPC .. A47G 7/07; A01G 5/04; F21V 35/00; F21V
1/06

See application file for complete search history.

(56) **References Cited**

U.S. PATENT DOCUMENTS

D20,523 S *	2/1891	Balsley	D11/152
3,104,498 A *	9/1963	Miller	A01G 9/021 215/12.2
3,307,602 A *	3/1967	Boster	B65D 43/0212 206/508
D340,674 S *	10/1993	Carlson	D11/152
D364,112 S *	11/1995	Dickinson	D11/152
D368,234 S *	3/1996	Dickinson	D11/152
D399,452 S *	10/1998	Durbin	D11/152
D405,387 S *	2/1999	Masello	D11/152
D409,945 S *	5/1999	Hensen	D11/152
D461,432 S *	8/2002	Carlson	D11/152
D564,394 S *	3/2008	Schmidt	D11/152
D564,939 S *	3/2008	Fan	D11/152
D572,168 S *	7/2008	Kurtz	D11/152
D577,630 S *	9/2008	Schmidt	D11/152
D594,775 S *	6/2009	Moreau	D11/152

D611,384 S *	3/2010	Biegel	D11/152
7,677,435 B2 *	3/2010	Stahlecker	B31F 1/0038 206/515
D713,757 S *	9/2014	Thuma	D11/152

(Continued)

OTHER PUBLICATIONS

Photographs showing design of prior art product sold in this country prior to Sep. 1, 2014, 4 pages.

Primary Examiner — Karen S Acker

Assistant Examiner — Steven B Reinholdt, Jr.

(74) *Attorney, Agent, or Firm* — Banner & Witcoff, Ltd.

(57) **CLAIM**

The ornamental design for a flower pot, as shown and described.

DESCRIPTION

FIG. 1 is a bottom, front perspective view of a flower pot showing my new design;

FIG. 2 is an enlarged view of the region identified by the number "2" in FIG. 1 thereof;

FIG. 3 is a rear view thereof;

FIG. 4 is a front view thereof;

FIG. 5 is a side view thereof;

FIG. 6 is an opposite side view thereof;

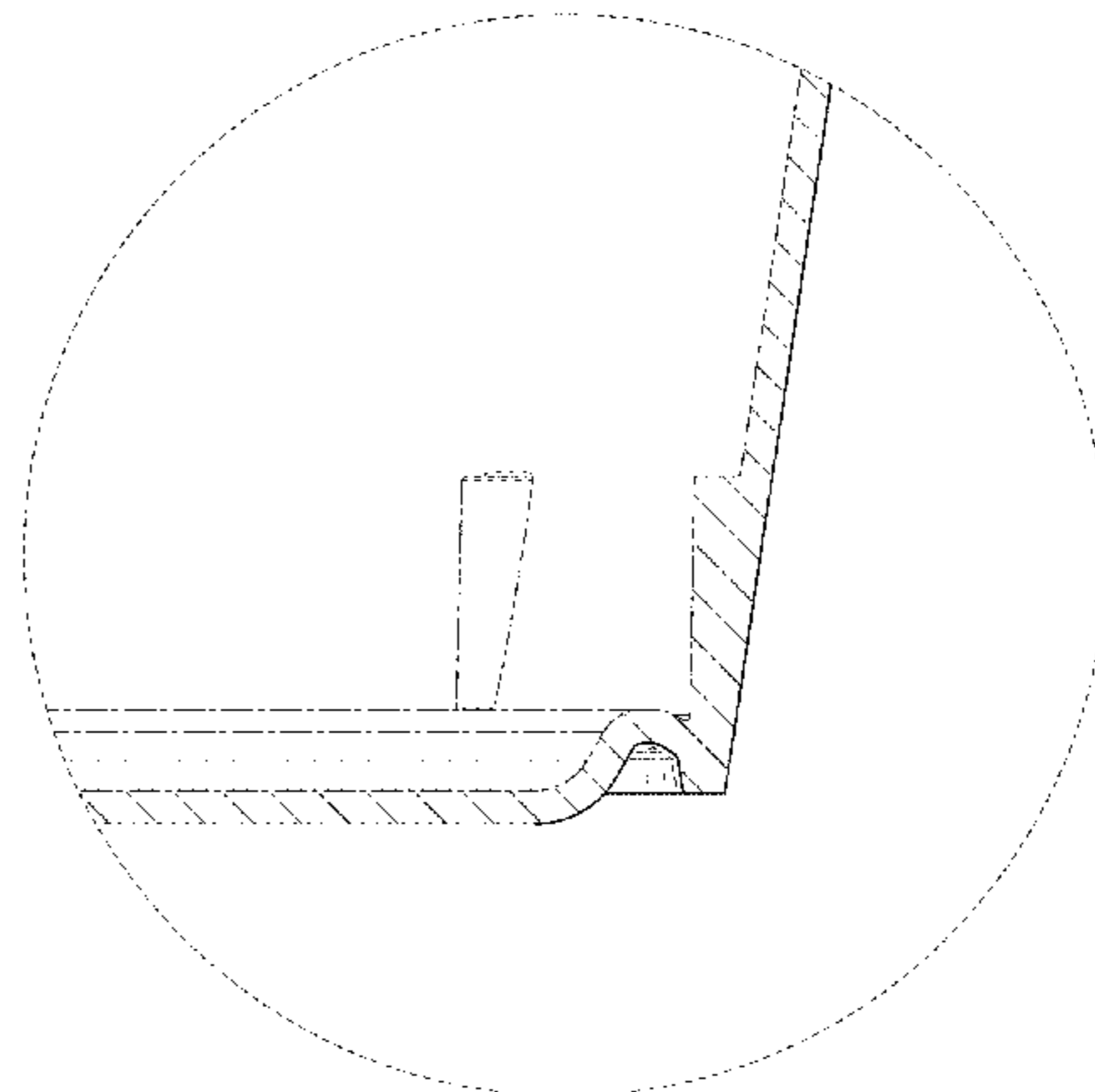
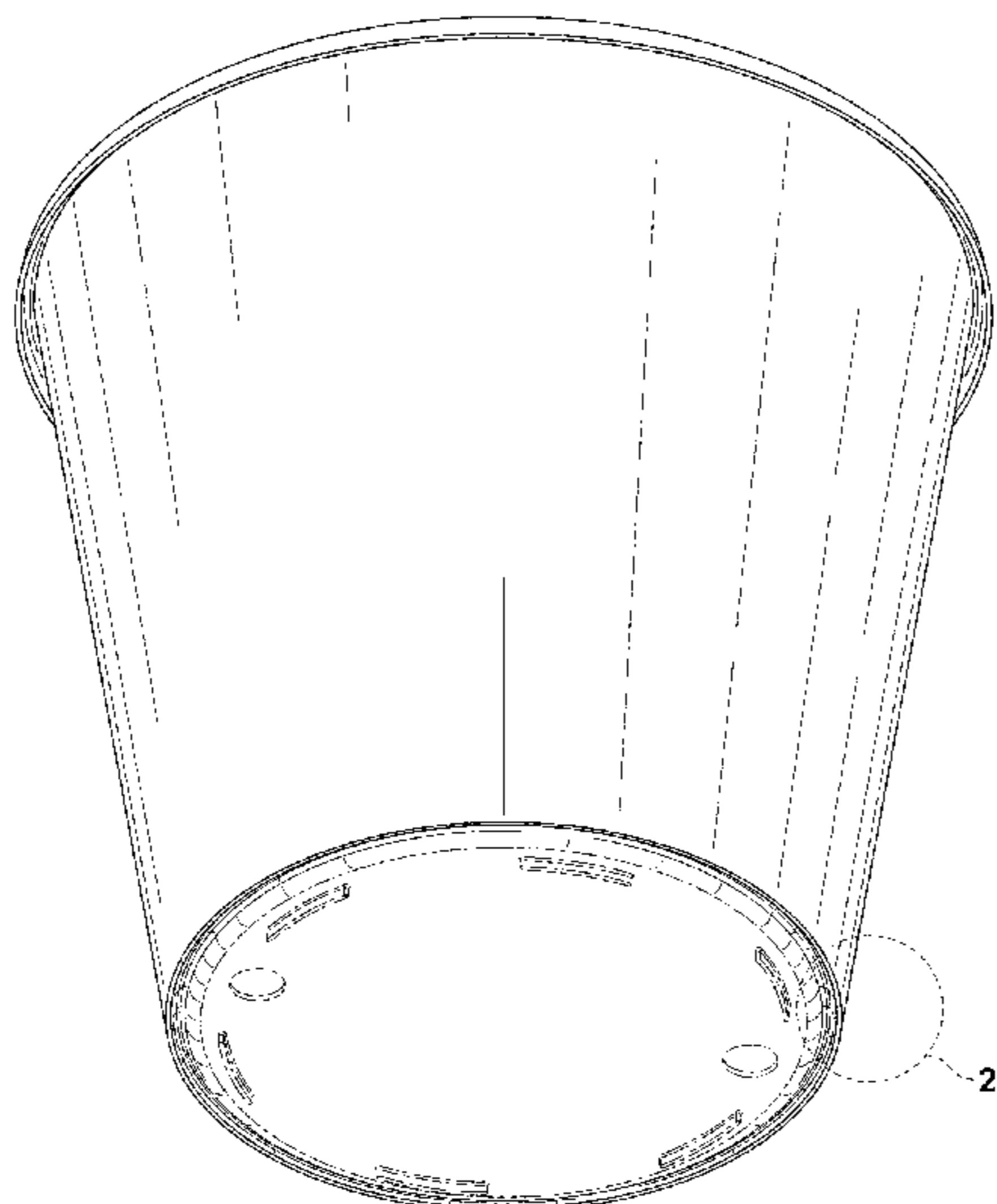
FIG. 7 is a top view thereof;

FIG. 8 is a bottom view thereof; and,

FIG. 9 is a cross sectional view of the region identified by the number "9" in FIG. 3 and along the line marked "9-9" in FIG. 8 thereof.

The uneven broken lines immediately adjacent to the shaded area define the bounds of the claimed design and form no part thereof. The unshaded regions adjacent to the shaded area form no part of the claimed design. The uneven broken lines showing the remainder of the flower pot represent unclaimed subject matter and form no part of the claimed design.

1 Claim, 9 Drawing Sheets



(56)

References Cited

U.S. PATENT DOCUMENTS

D715,649	S *	10/2014	O'Brien	D9/500
D717,200	S *	11/2014	Thuma	D11/152
D717,202	S *	11/2014	Thuma	D11/152
D739,295	S *	9/2015	Thuma	D11/152
D739,781	S *	9/2015	Pettigrew	D11/152
D739,782	S *	9/2015	Pettigrew	D11/152
D740,162	S *	10/2015	Pettigrew	D11/152
D778,203	S *	2/2017	Thuma	D11/153
D779,897	S *	2/2017	Thuma	D11/143
D790,277	S *	6/2017	Mackesy, II	D7/507
D798,718	S *	10/2017	Foster	D9/500
D821,914	S *	7/2018	Tao	D11/152
D828,724	S *	9/2018	Wall	D7/523
D829,595	S *	10/2018	Cardonne	D11/152
2006/0037241	A1 *	2/2006	Orschulik	A01G 9/021 47/65.5
2010/0018889	A1 *	1/2010	Korpanty	B65D 21/0223 206/509
2010/0064899	A1 *	3/2010	Aardenburg	A47J 31/3633 99/295
2011/0240506	A1 *	10/2011	D'Amato	B65D 51/28 206/515
2012/0055832	A1 *	3/2012	Riethmueller	B29C 51/16 206/499
2013/0269250	A1 *	10/2013	Hung	A01G 9/02 47/65.5

* cited by examiner

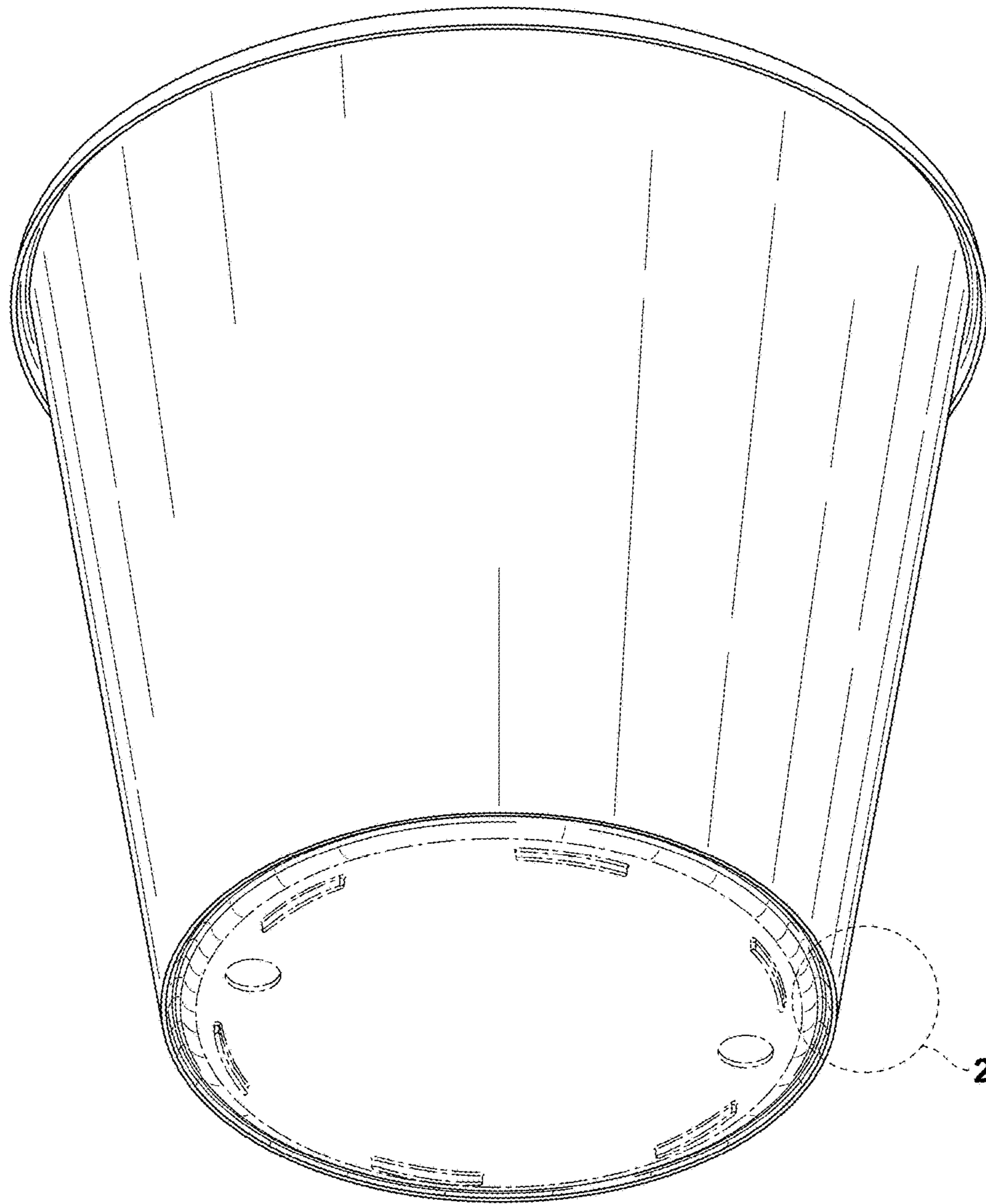


FIG. 1

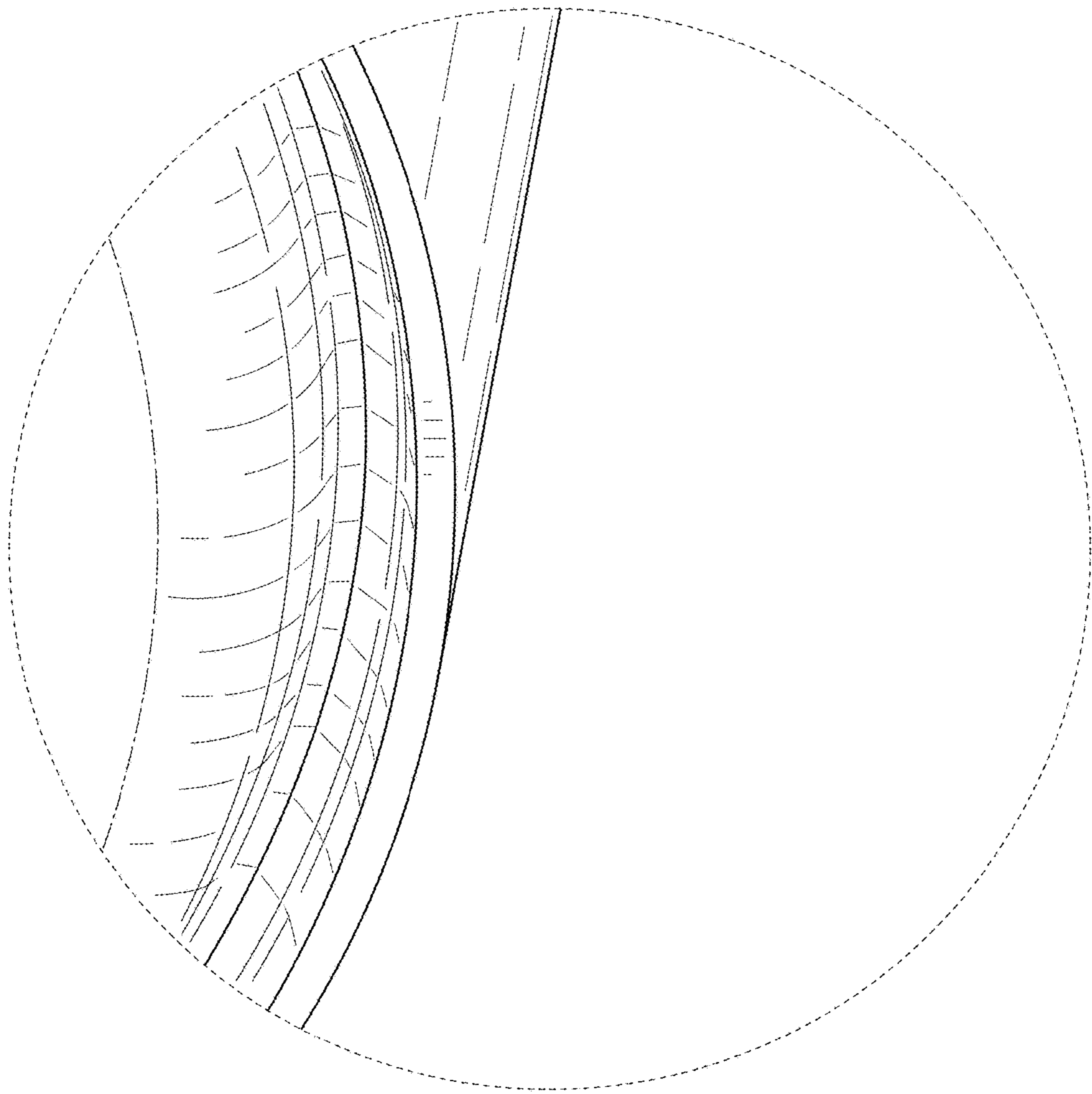


FIG. 2

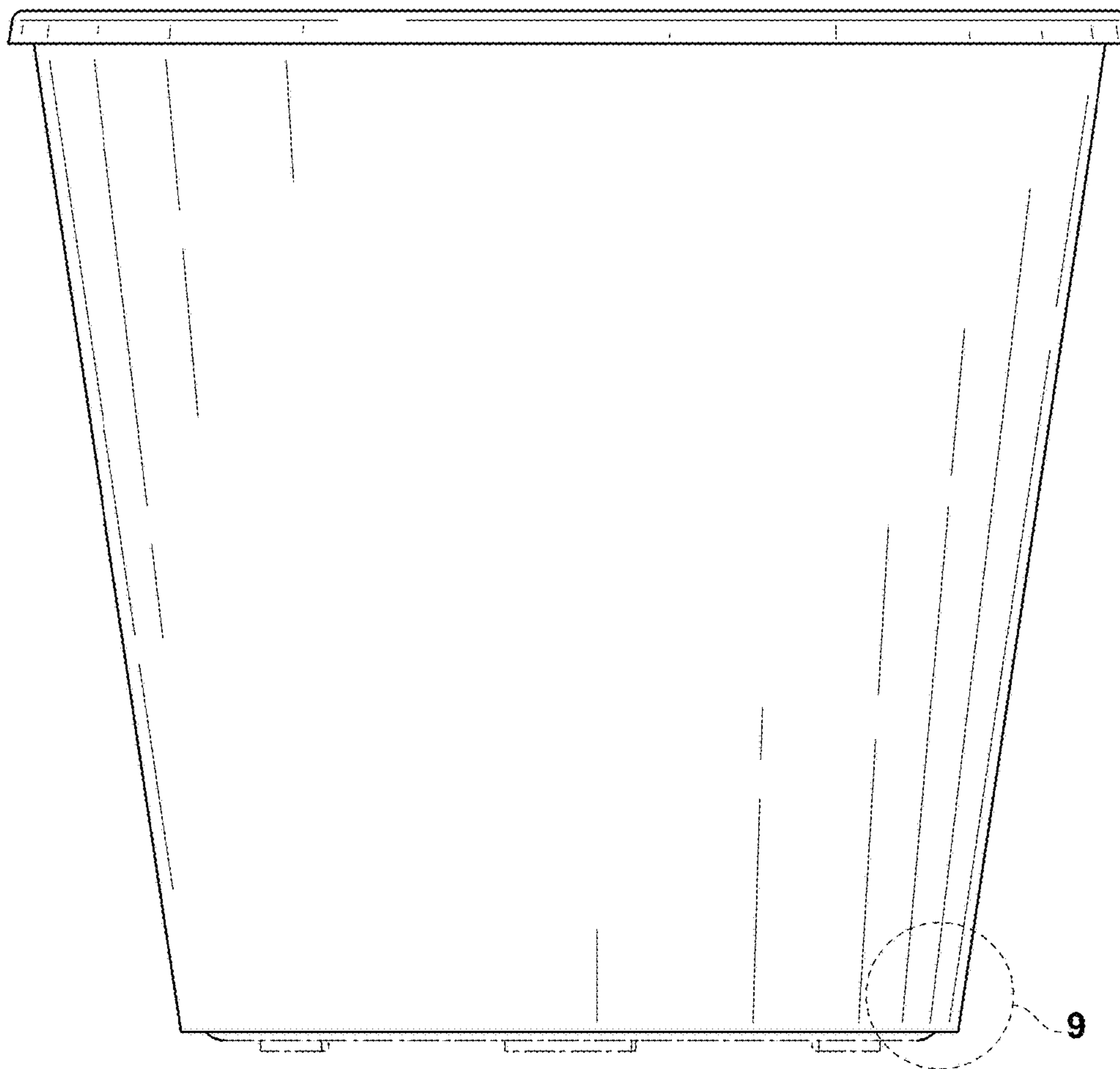


FIG. 3

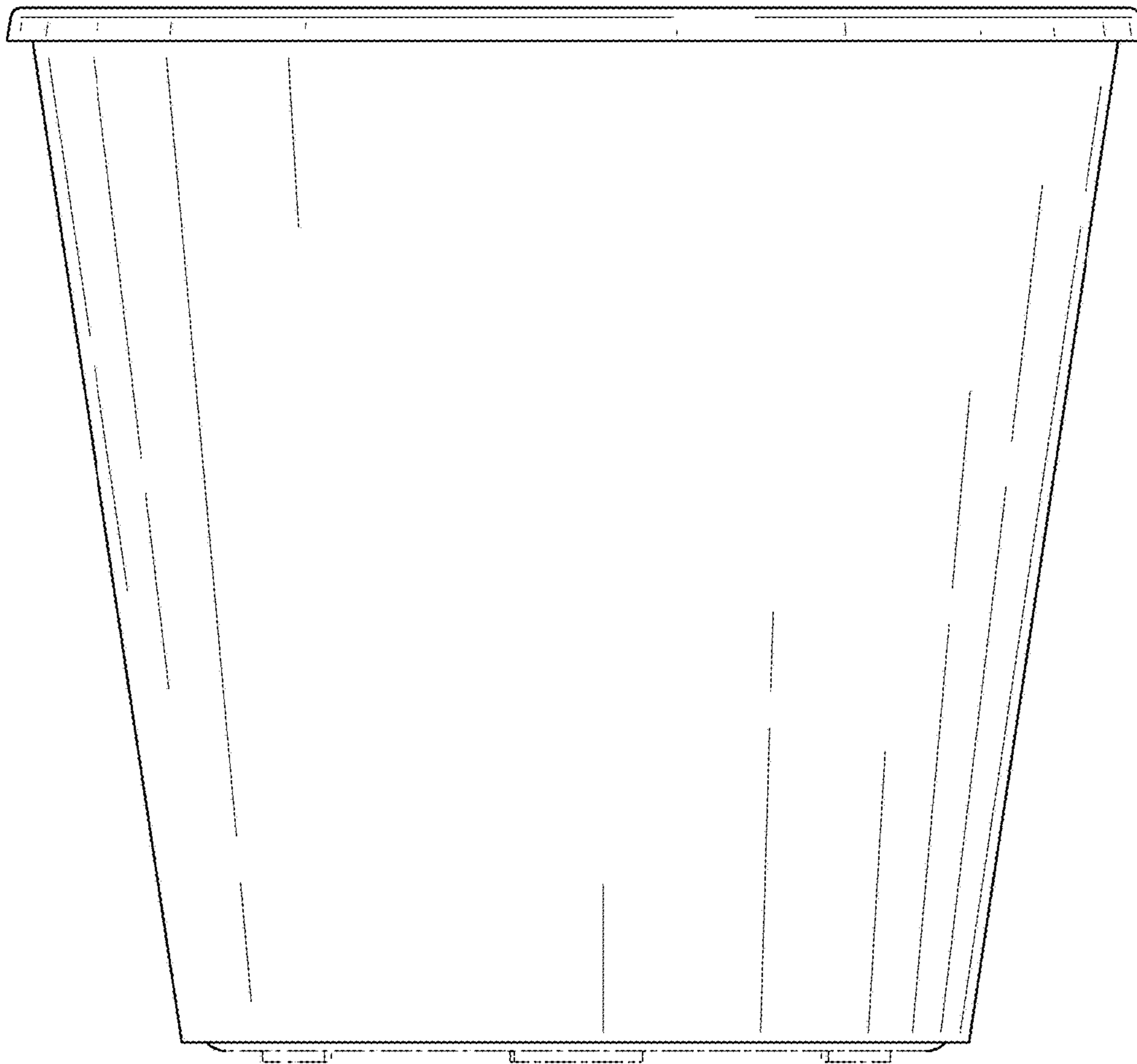


FIG. 4

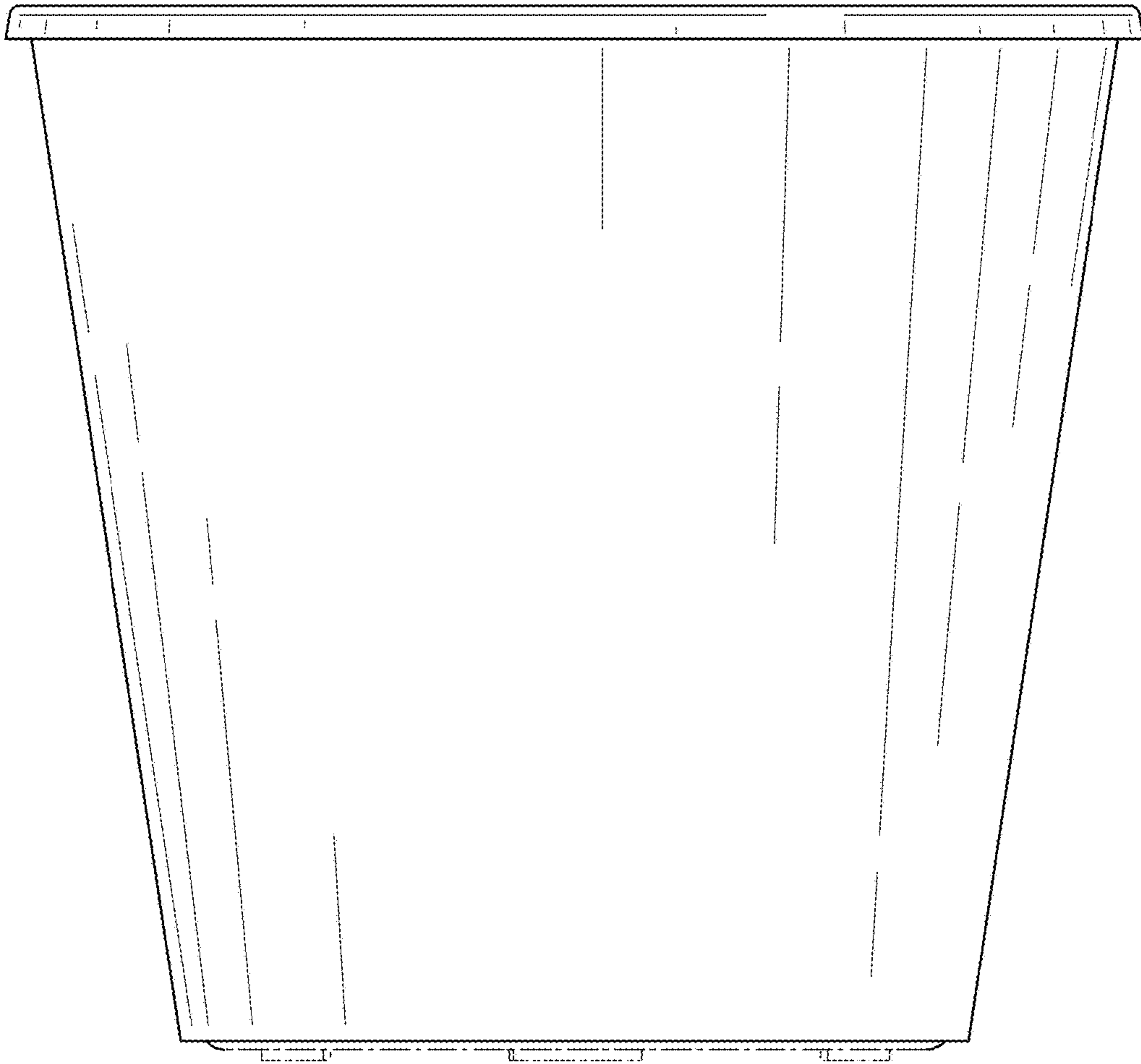


FIG. 5

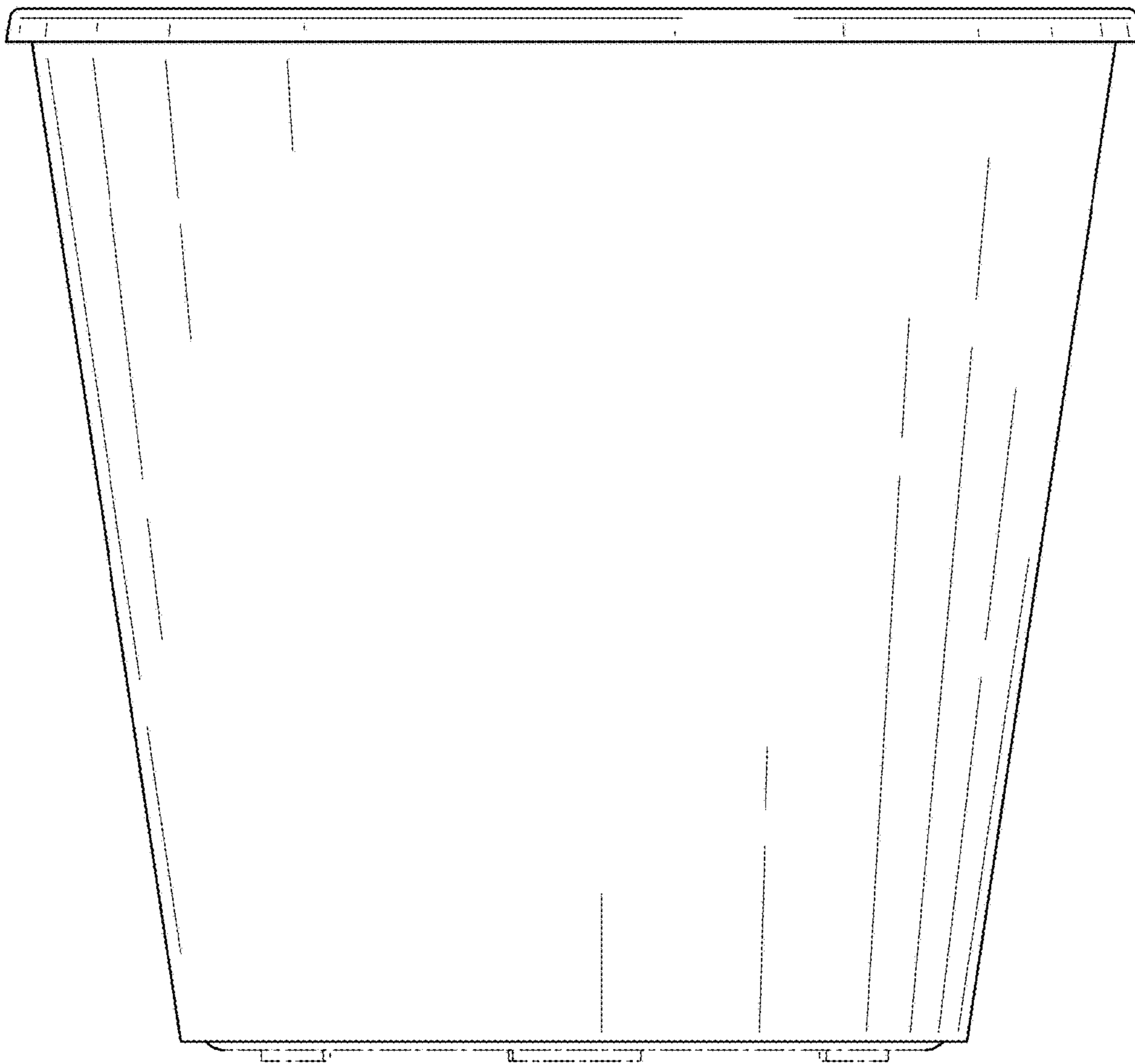


FIG. 6

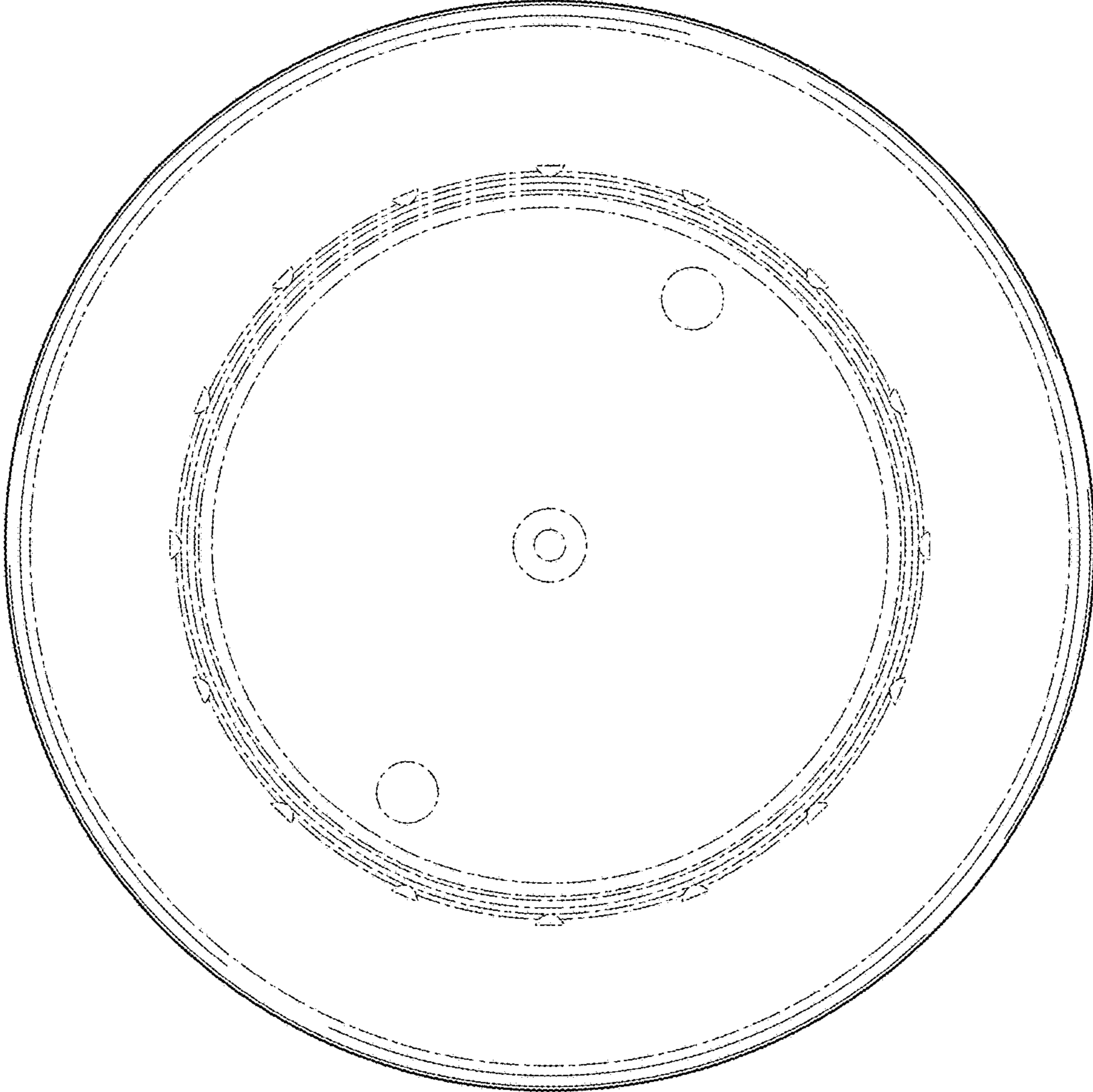


FIG. 7

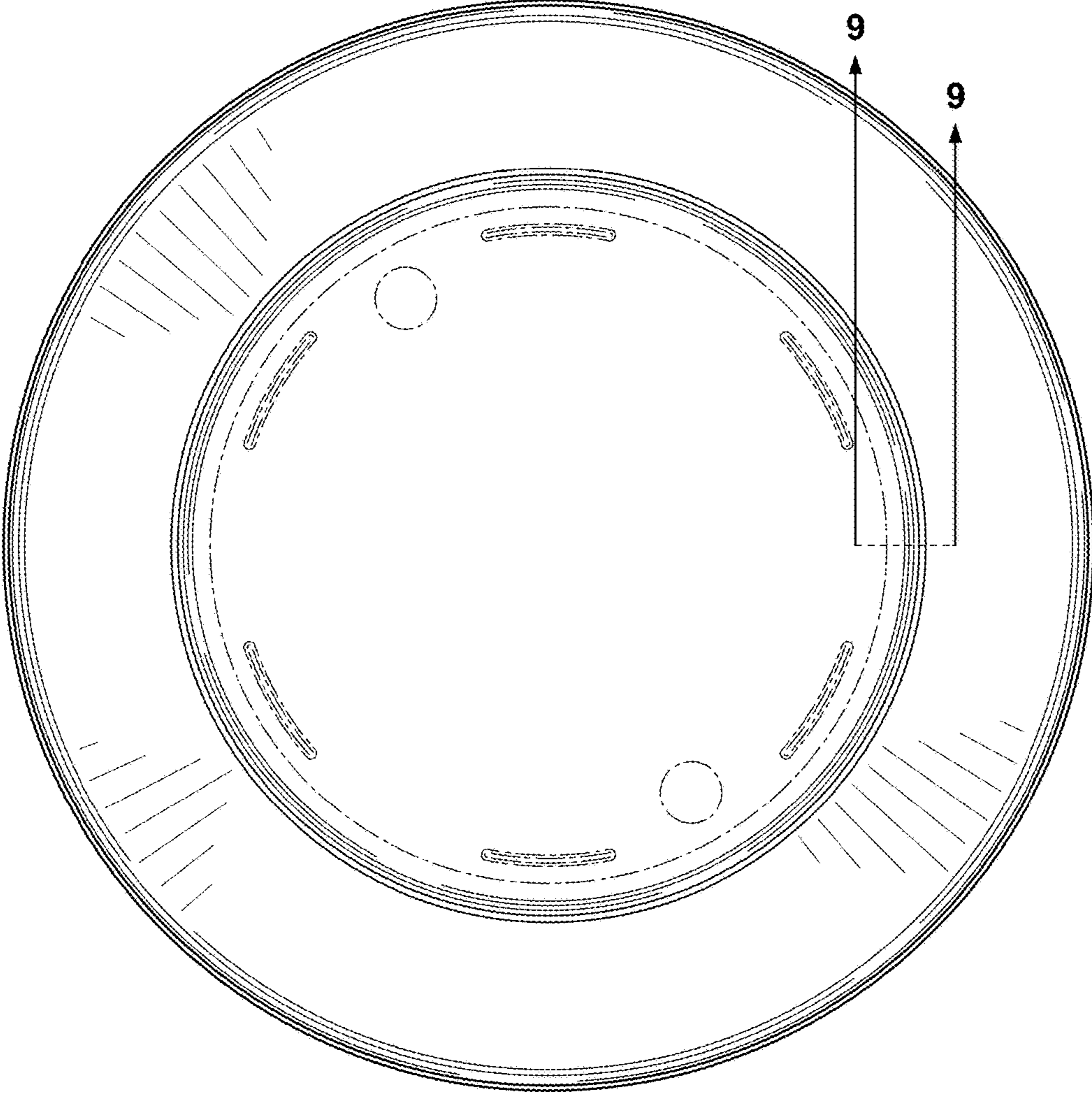


FIG. 8

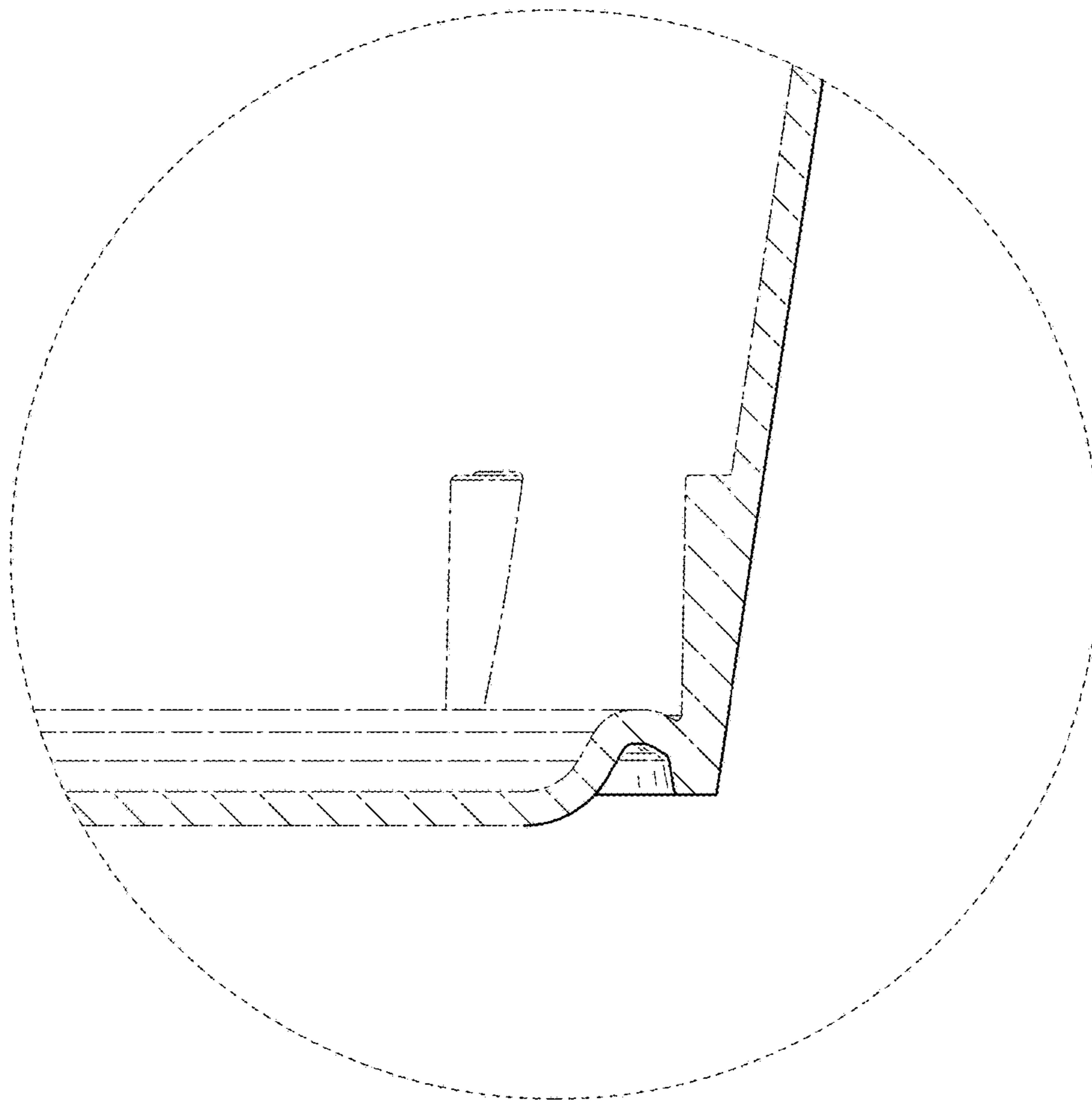


FIG. 9