



US00D852084S

(12) **United States Design Patent**
Ho

(10) **Patent No.:** **US D852,084 S**

(45) **Date of Patent:** **** Jun. 25, 2019**

- (54) **JEWELRY SETTING**
- (71) Applicant: **Nelson Jewellery Arts Company Ltd.,**
Hong Kong (HK)
- (72) Inventor: **Chi Kai Nelson Ho,** Hong Kong (HK)
- (73) Assignee: **Nelson Jewellery Arts Company Ltd.,**
Hong Kong (HK)
- (**) Term: **15 Years**

D643,327 S *	8/2011	Kothari	D11/40
D644,141 S *	8/2011	George	D11/1
D647,419 S *	10/2011	Wong	D11/34
D714,182 S *	9/2014	Doran	D11/92
D798,188 S *	9/2017	Wong	D11/92
9,756,909 B1 *	9/2017	Bonner	A44C 17/0233
D813,717 S *	3/2018	Shah	D11/91

* cited by examiner

Primary Examiner — Cynthia Ramirez

Assistant Examiner — L. Martinez

- (21) Appl. No.: **29/621,570**
- (22) Filed: **Oct. 10, 2017**
- (51) **LOC (11) Cl.** **11-01**
- (52) **U.S. Cl.**
USPC **D11/92**
- (58) **Field of Classification Search**
USPC D11/1-3, 16, 26-34, 40-43, 91-92
CPC A44C 1/00; A44C 17/00; A44C 17/001;
A44C 17/002; A44C 17/003; A44C
17/005; A44C 17/02; A44C 17/0208;
A44C 17/0216; A44C 17/0233; A44C
17/0241; A44C 17/04; A44C 17/046;
A44C 7/00; A44C 7/001; A44C 7/002;
A44C 7/003; A44C 7/004; A44C 7/005;
A44C 7/006; A44C 7/008; A44C 9/00
See application file for complete search history.

(57) **CLAIM**

The ornamental design for a jewellery setting, as shown and described.

DESCRIPTION

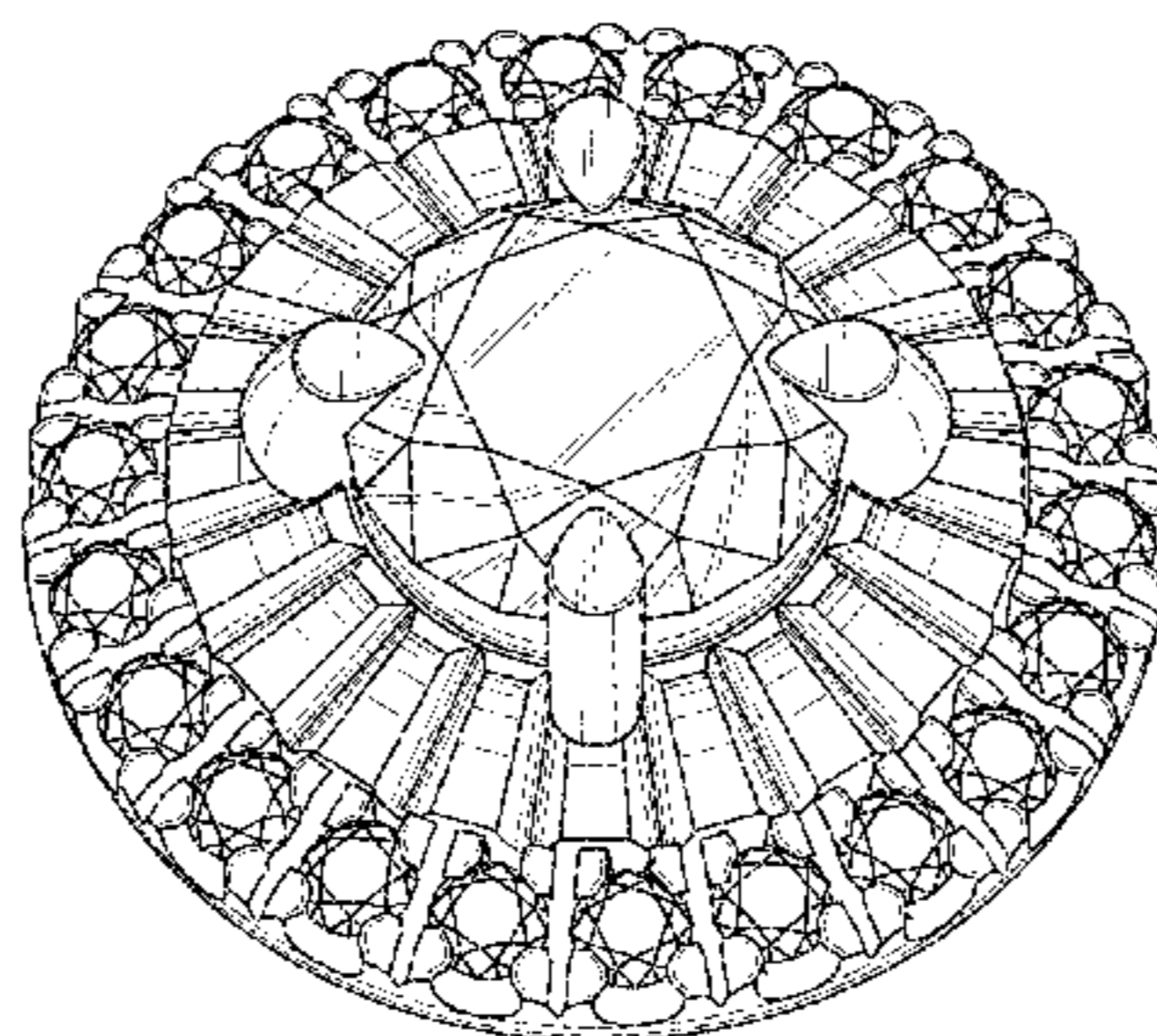
FIG. 1 is a perspective view of a jewellery setting showing my new design;
 FIG. 2 is a front elevational view thereof;
 FIG. 3 is a rear elevational view thereof;
 FIG. 4 is a left side view thereof;
 FIG. 5 is a right side view thereof;
 FIG. 6 is a top plan view thereof;
 FIG. 7 is a bottom plan view thereof;
 FIG. 8 is another perspective view showing the jewellery setting of FIG. 1 in an environment of use;
 FIG. 9 is another perspective view showing the jewellery setting of FIG. 1 in an environment of use; and,
 FIG. 10 is another perspective view showing the jewellery setting of FIG. 1 in an environment of use.
 The other broken lines in FIG. 8 through 10 depicting a ring, an earring cap, and a pendant buckle represent environmental subject matter only and form no part of the claimed design.
 The oblique shading lines indicate transparency and form part of the claimed design.

(56) **References Cited**

U.S. PATENT DOCUMENTS

D58,307 S *	7/1921	Davidson	D11/90
D130,419 S *	11/1941	Schaeffer	D11/36
5,524,458 A *	6/1996	Buchner	A44C 17/0233
				63/28
D413,279 S *	8/1999	Steinberg	D11/91
D421,930 S *	3/2000	Wolf	D11/90
D444,098 S *	6/2001	Hurwitz	D11/90

1 Claim, 6 Drawing Sheets



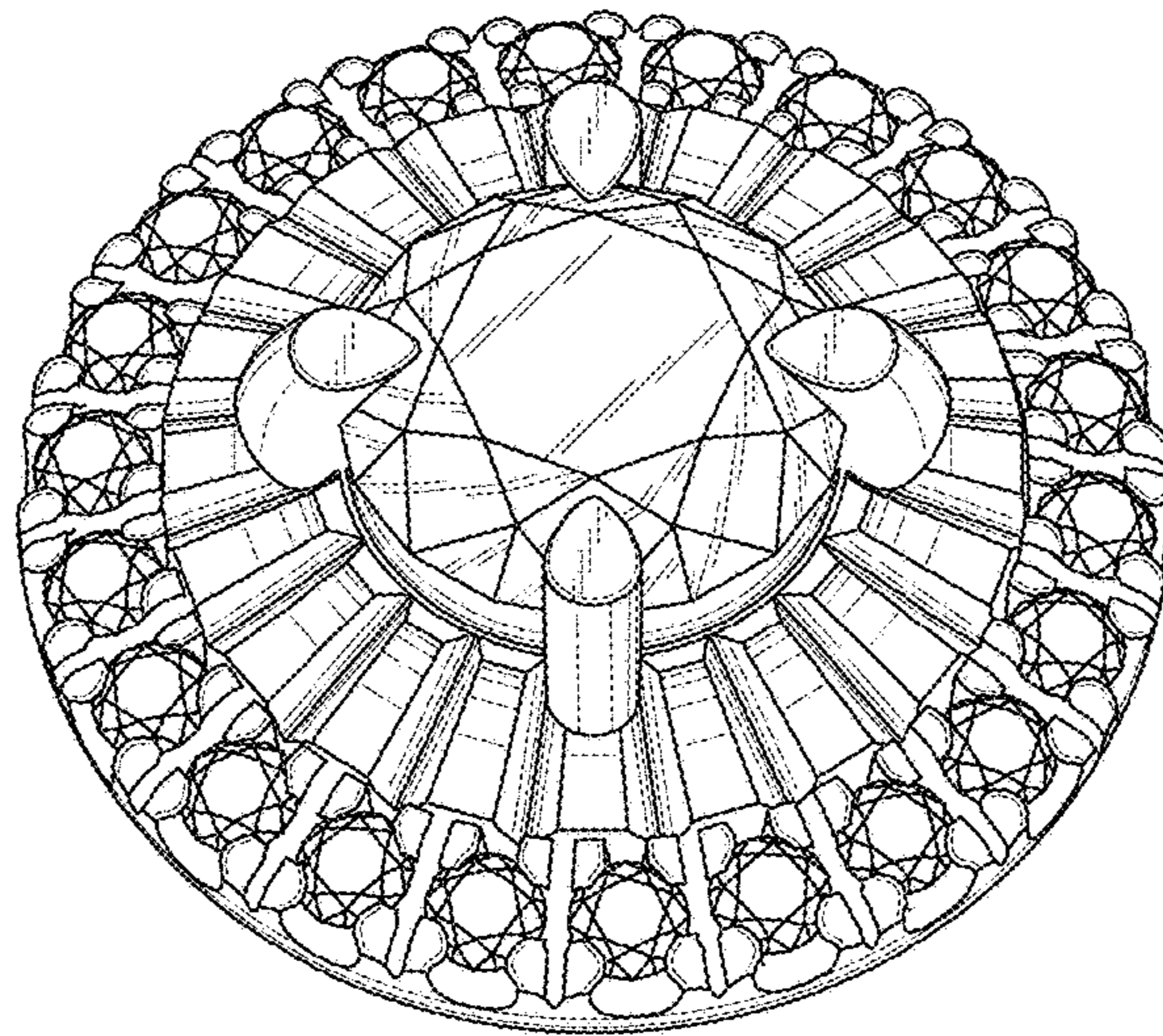


FIG. 1

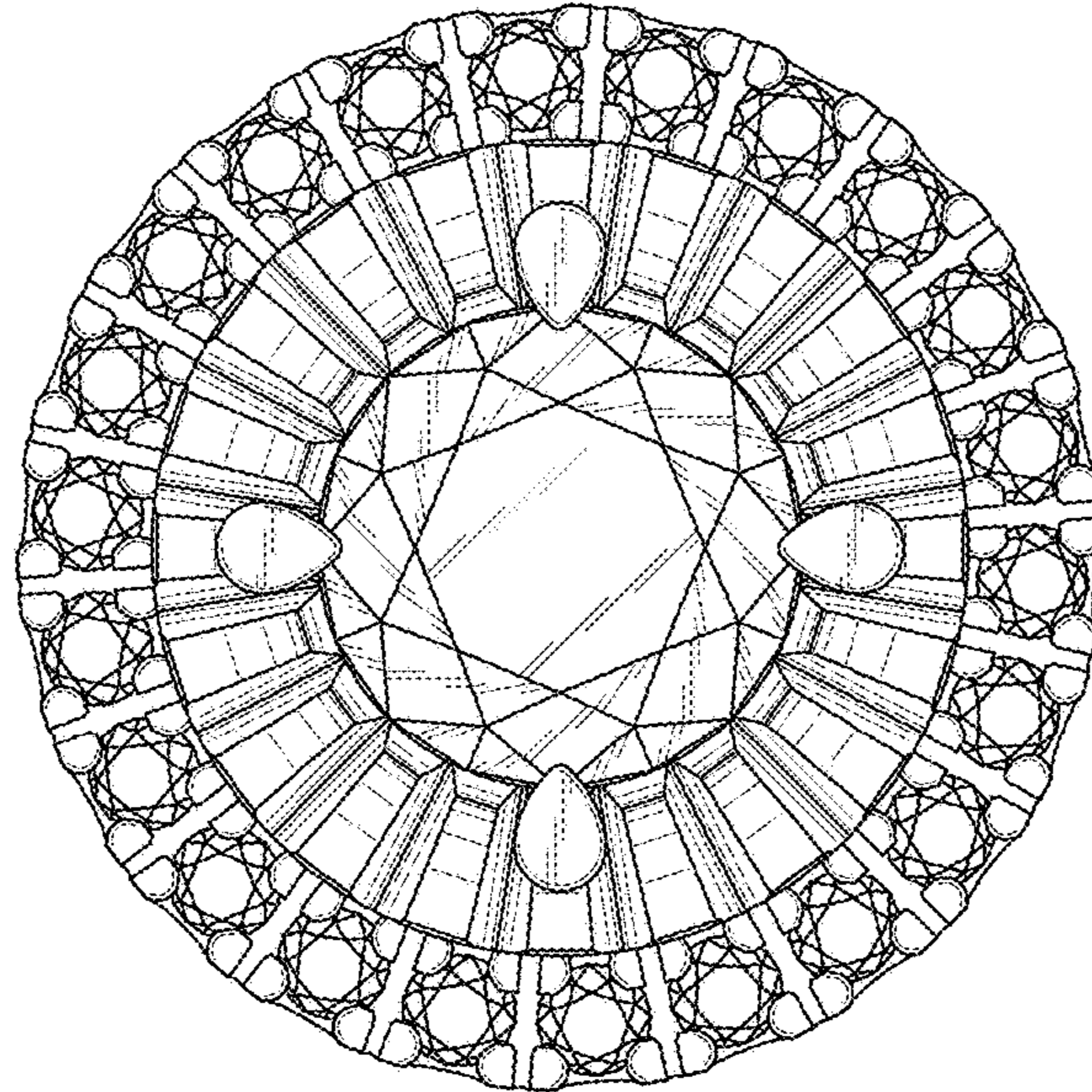


FIG. 2

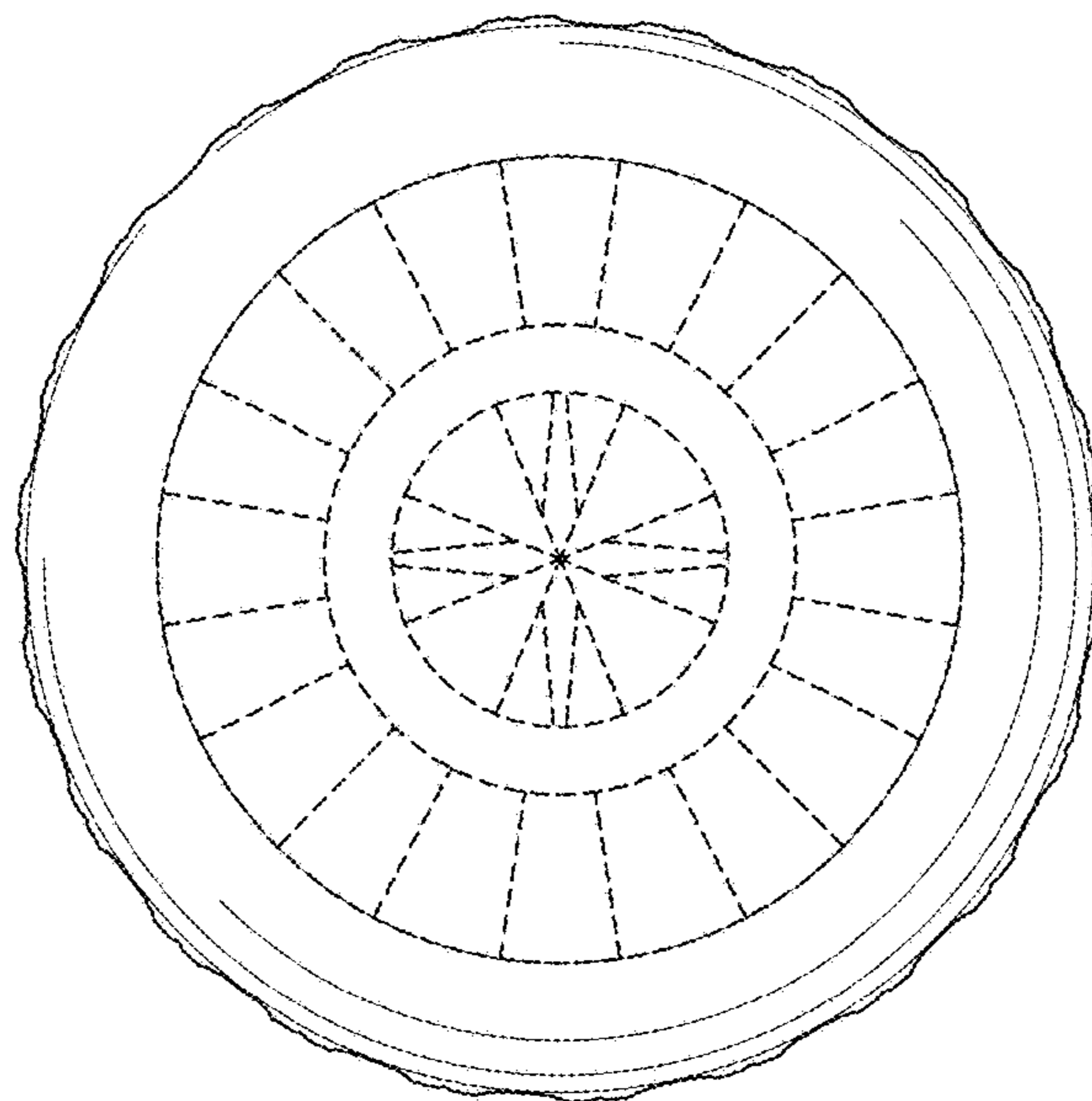


FIG. 3

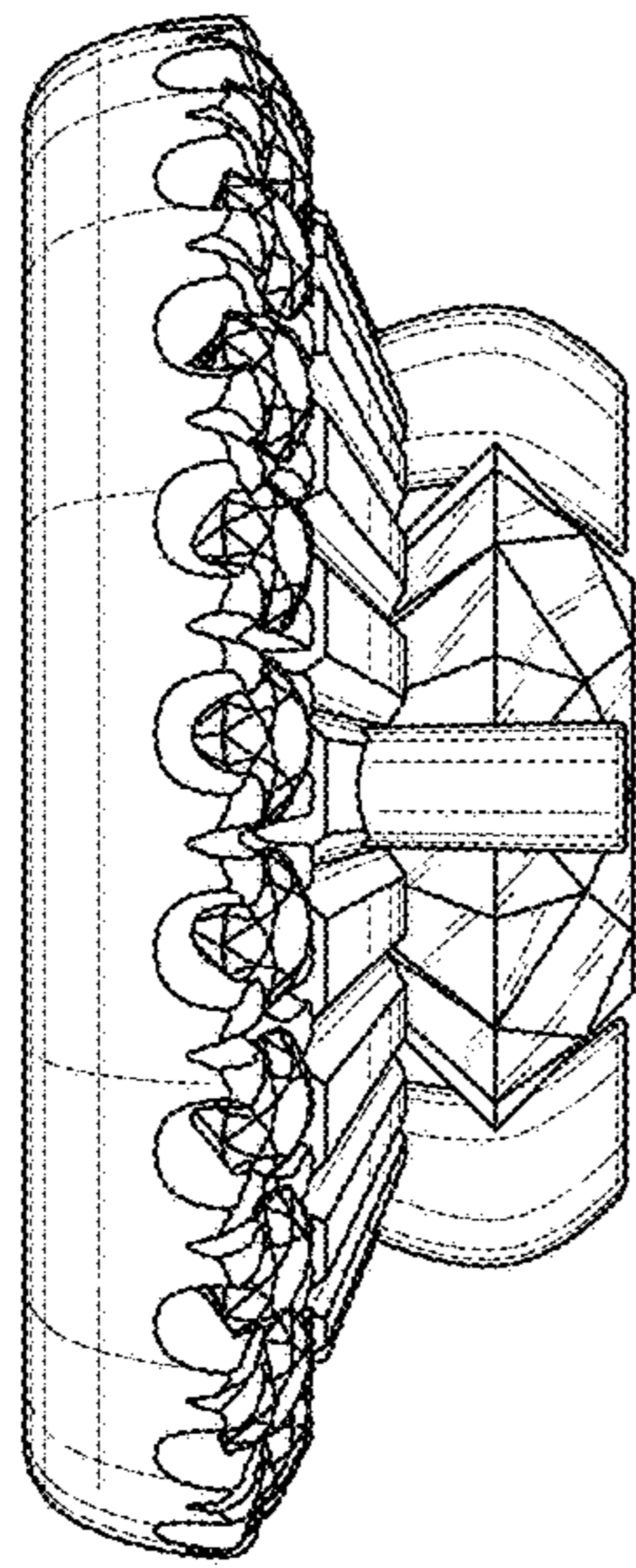


FIG. 4

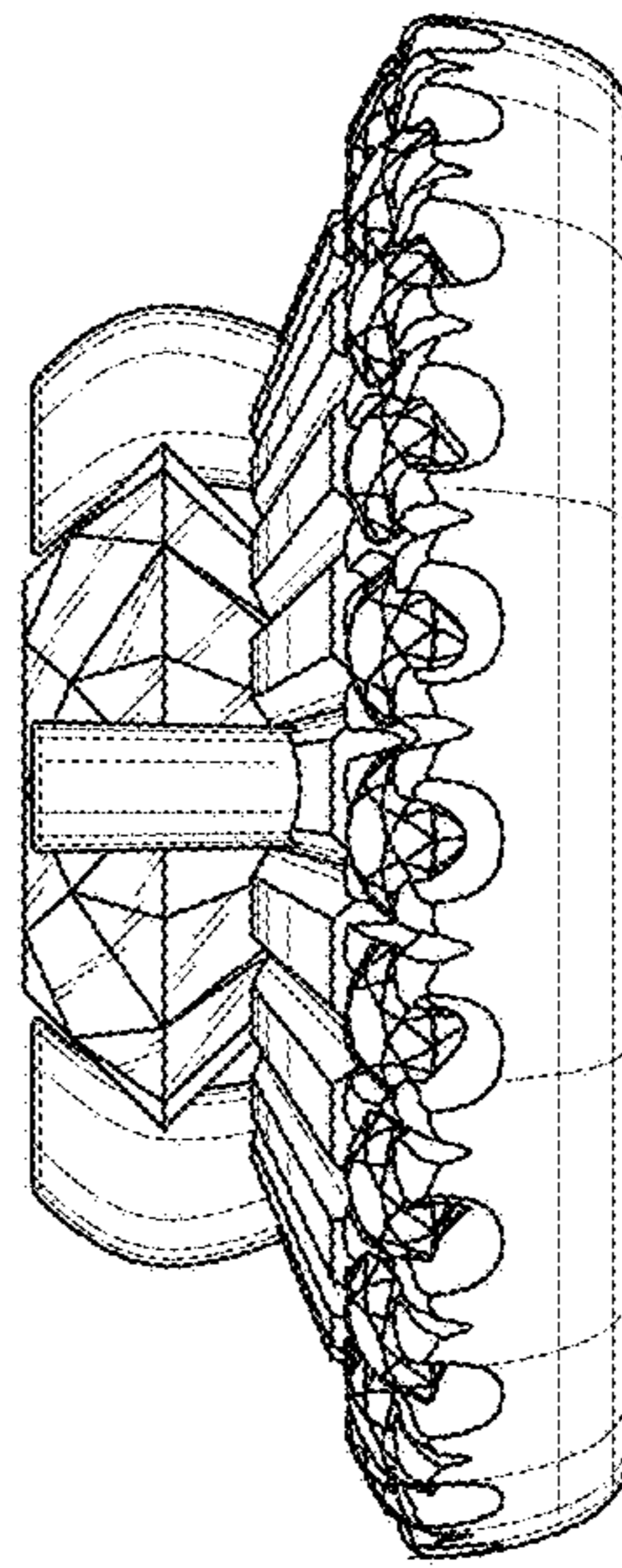


FIG. 5

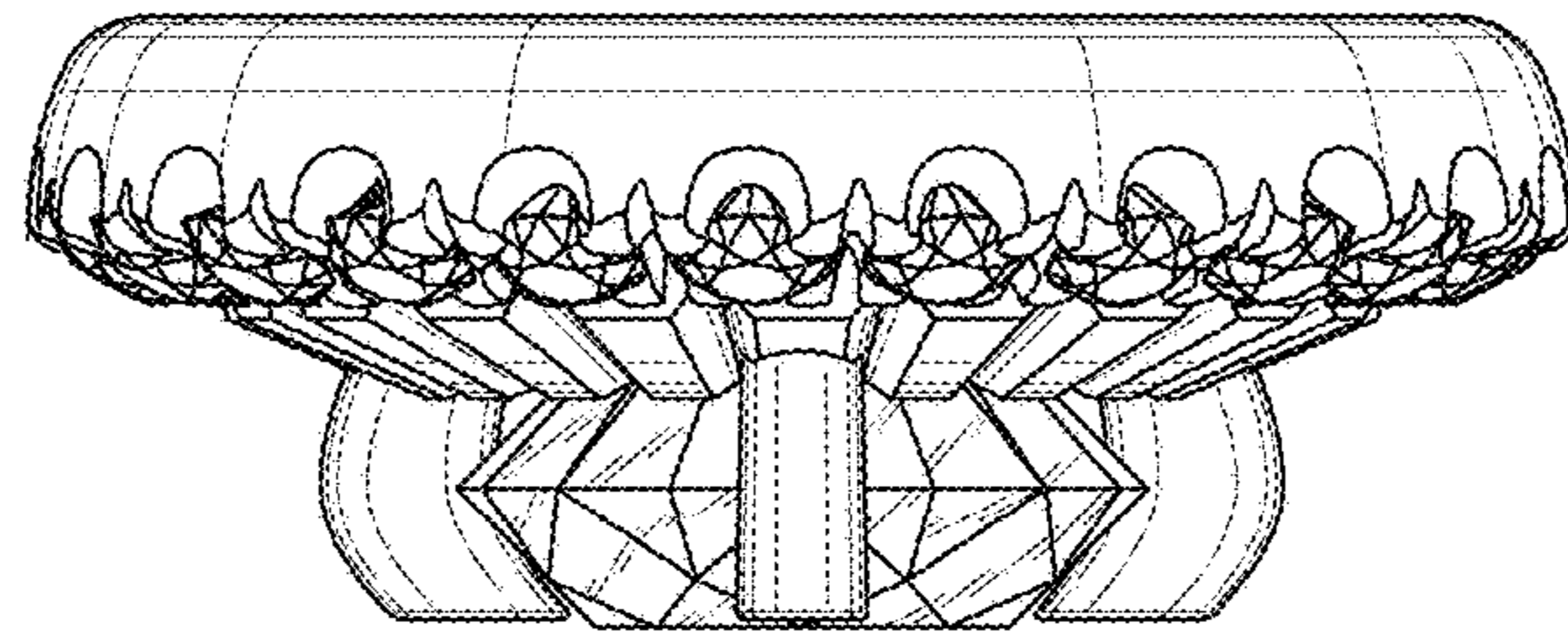


FIG. 6

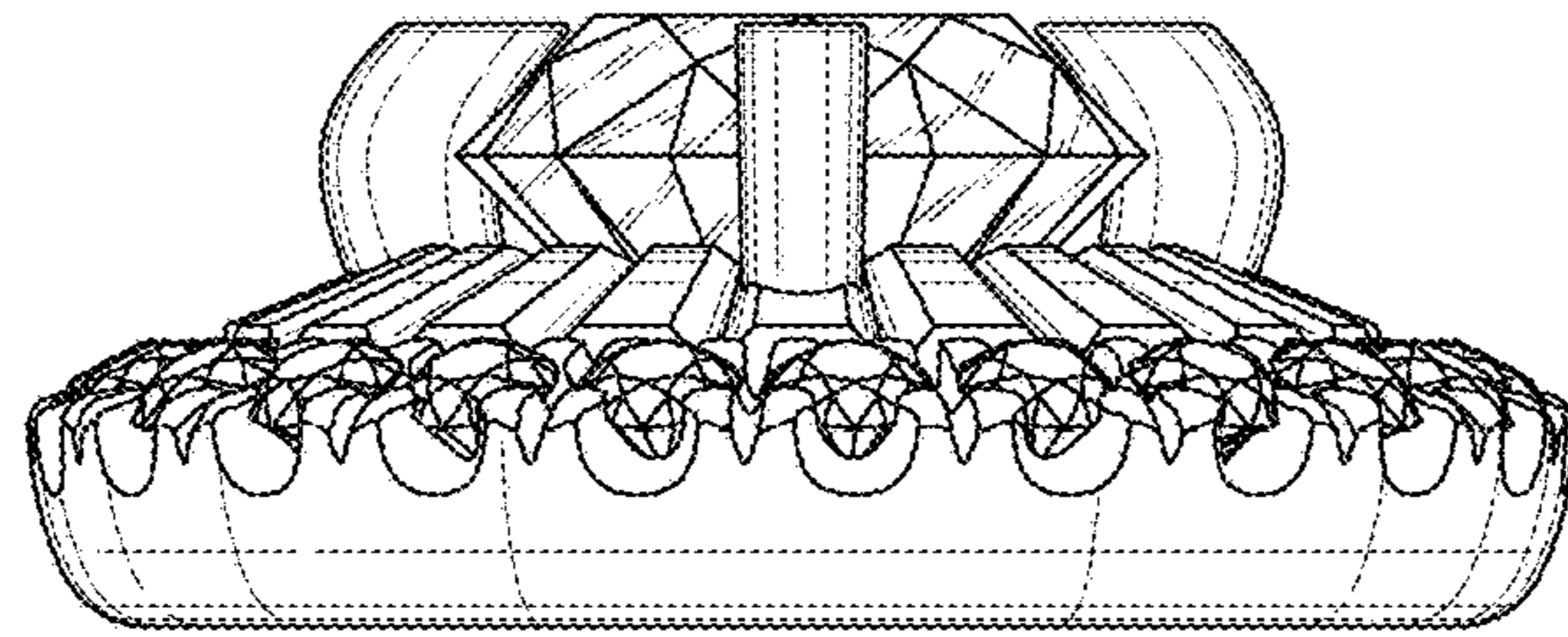


FIG. 7



FIG. 8

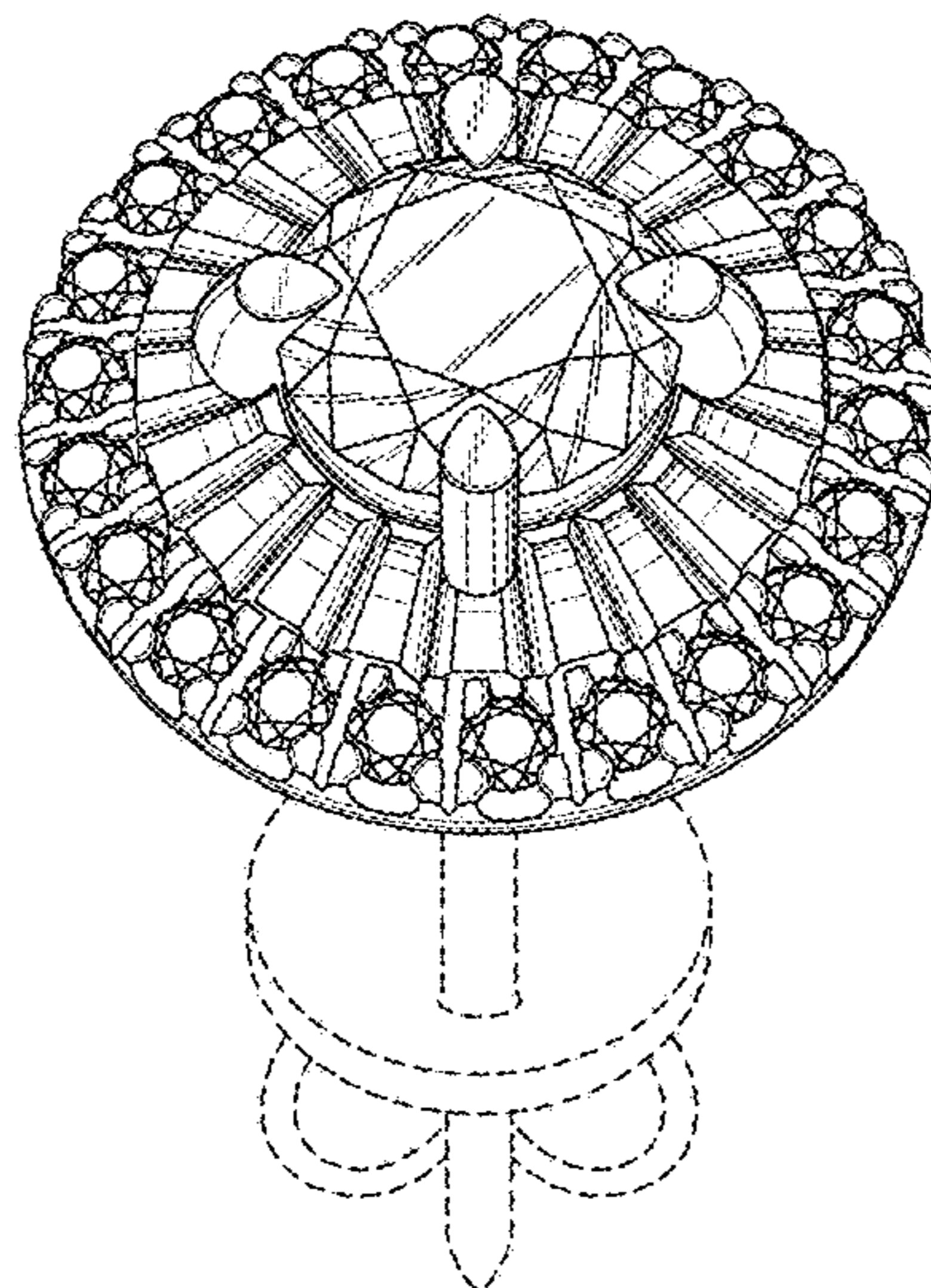


FIG. 9

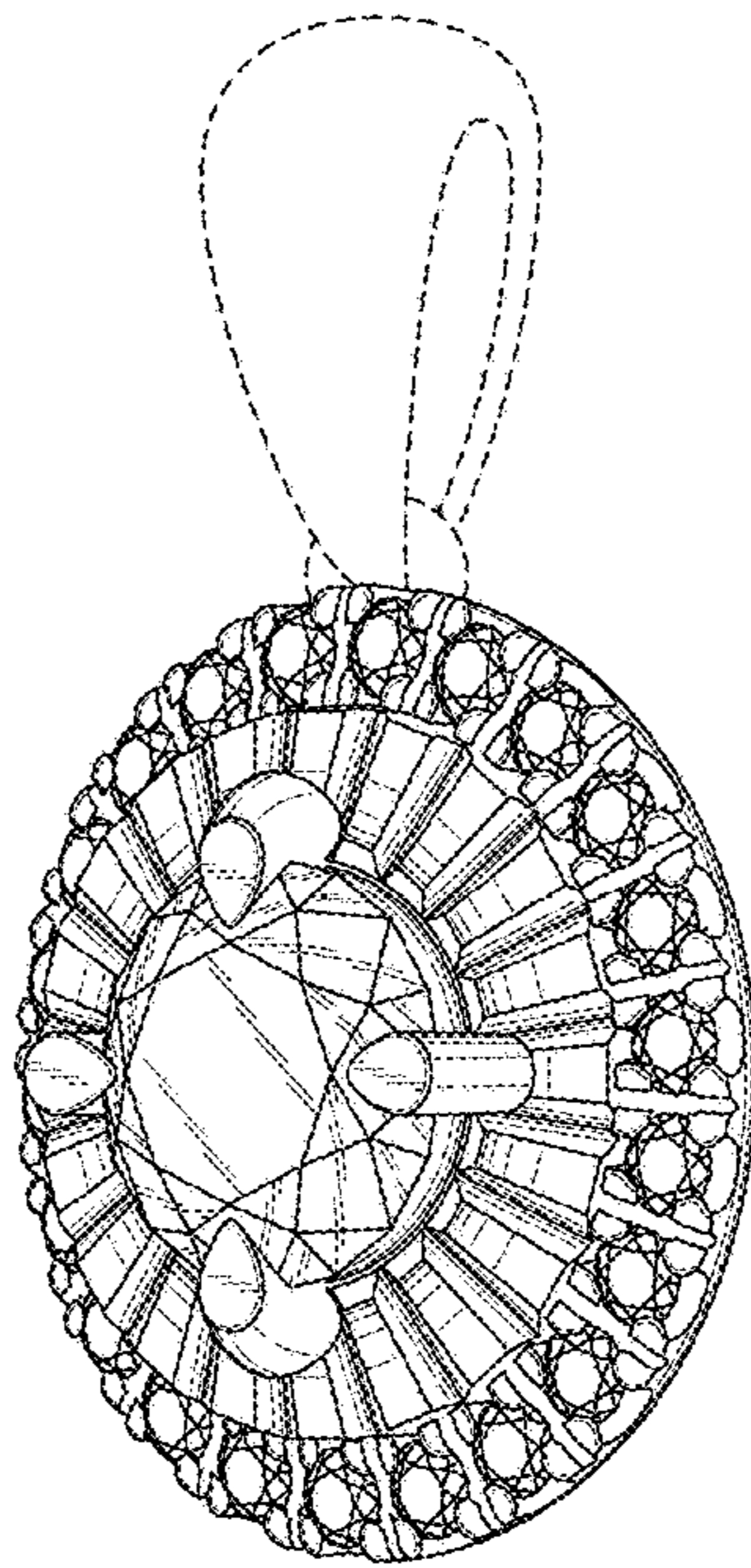


FIG. 10