



US00D852083S

(12) **United States Design Patent** (10) **Patent No.:** **US D852,083 S**
Jaliwala (45) **Date of Patent:** **** Jun. 25, 2019**

(54) **BRACELET LOCK MEMBER** 5,701,640 A * 12/1997 Locher A44C 5/2071
 24/265 WS
 (71) Applicant: **Jewelex New York, Ltd.**, New York, 5,819,380 A 4/1998 Morrison
 NY (US) 5,832,571 A * 11/1998 Paolercio et al.
 Kanamori A44C 5/2038
 24/599.6
 (72) Inventor: **Khaiyam Jaliwala**, Mumbai (IN) D415,058 S 10/1999 Haase
 6,140,591 A 10/2000 Osborne et al.
 (73) Assignee: **JEWELX NEW YORK, LTD.**, New 6,202,268 B1 3/2001 Goldstein et al.
 York, NY (US) 6,598,271 B2 * 7/2003 Nire A41F 1/002
 24/265 WS
 (**) Term: **15 Years** 6,718,797 B2 4/2004 Plumly
 6,800,070 B2 10/2004 Mazidji et al.
 7,849,569 B2 * 12/2010 Cope A44C 5/2042
 24/303

(Continued)

(21) Appl. No.: **29/681,882**
 (22) Filed: **Feb. 28, 2019**
 (51) **LOC (11) Cl.** **11-01**
 (52) **U.S. Cl.**
 USPC **D11/87**
 (58) **Field of Classification Search**
 USPC D11/1-25, 86-87, 94
 CPC A44C 5/00; A44C 5/18; A44C 5/2052;
 A44C 5/2057; A44C 5/2066; A44C 5/209
 See application file for complete search history.

Primary Examiner — Zenia I Bennett
 (74) *Attorney, Agent, or Firm* — Andrew F. Young, Esq.;
 Lackenbach Siegel, LLP

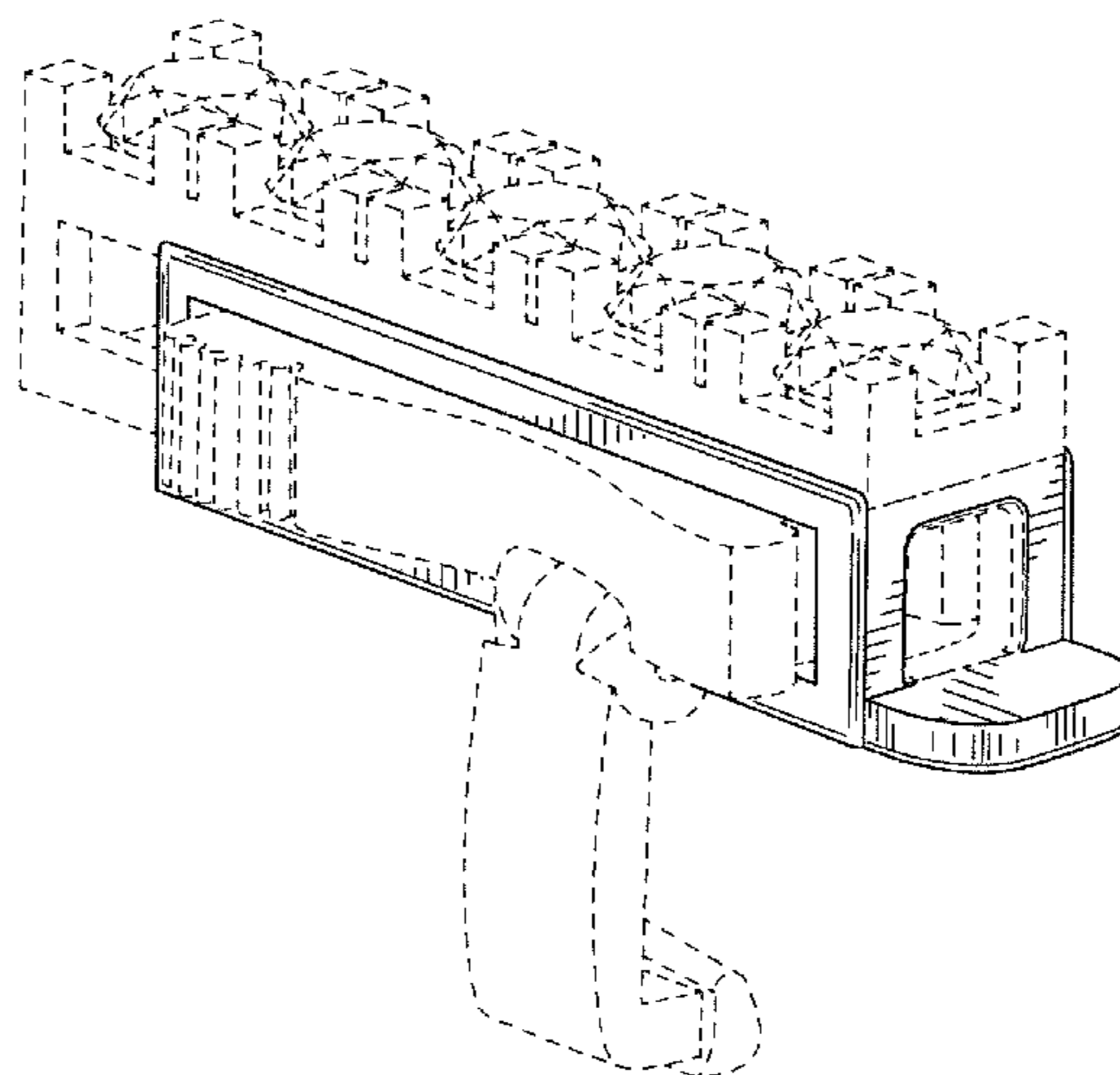
(57) **CLAIM**
 The ornamental design for a bracelet lock member, as shown
 and described.

DESCRIPTION

(56) **References Cited**
 U.S. PATENT DOCUMENTS
 789,450 A 5/1905 Prentice
 3,205,546 A 9/1965 Nelson
 3,350,764 A 11/1967 Geldwerth
 3,430,306 A 3/1969 Tareau
 4,286,360 A 9/1981 Skobel
 4,340,999 A 7/1982 Chini
 D292,871 S 11/1987 Hayashi
 4,901,204 A 2/1990 Hayashi
 D326,624 S 6/1992 Cowan
 5,305,503 A 4/1994 Yamagata
 D351,568 S 10/1994 Pandel
 5,412,850 A 5/1995 Miranda
 5,416,954 A 5/1995 Sobin
 5,435,047 A 7/1995 Colpo
 5,457,976 A * 10/1995 Stillwagon A44B 15/002
 24/3.6

FIG. 1 is front top perspective view of a bracelet lock member showing my new design.
 FIG. 2 is a front bottom perspective view thereof.
 FIG. 3 is a front elevation view thereof.
 FIG. 4 is a rear elevation view thereof.
 FIG. 5 is a top plan view thereof.
 FIG. 6 is a bottom plan view thereof.
 FIG. 7 is a right side elevation view thereof; and,
 FIG. 8 is a left side elevation view thereof.
 No claim is made to portions which are not shown. The dash-dash lining indicates disclaimed portions to which no claim is made. The dash-dot-dash lining indicates claim boundaries beyond which no claim is made. The surfaces are lined for contour only.

1 Claim, 4 Drawing Sheets



(56)

References Cited

U.S. PATENT DOCUMENTS

8,209,824 B2 *	7/2012	Fuhtman	A44C 5/2076 24/303
8,375,532 B2	2/2013	Yakubovich et al.	
8,677,575 B1	3/2014	Bergstrom	
D744,892 S	12/2015	Wolos et al.	
10,130,147 B2	11/2018	Coe	
2003/0066171 A1	10/2003	Terzian	
2004/0025984 A1	2/2004	Holemans et al.	
2018/0059435 A1	3/2018	Pan	

* cited by examiner

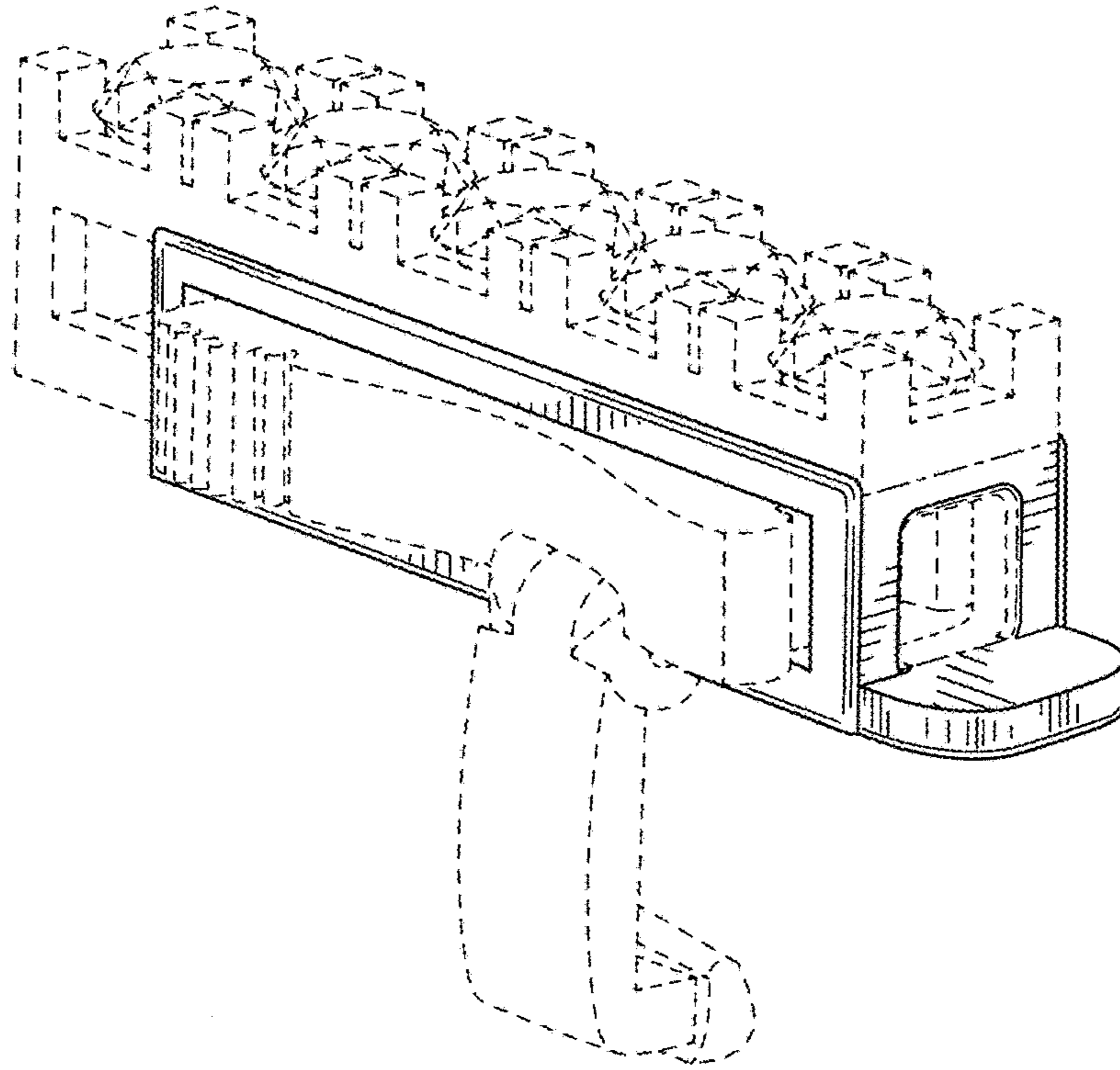


FIG. 1

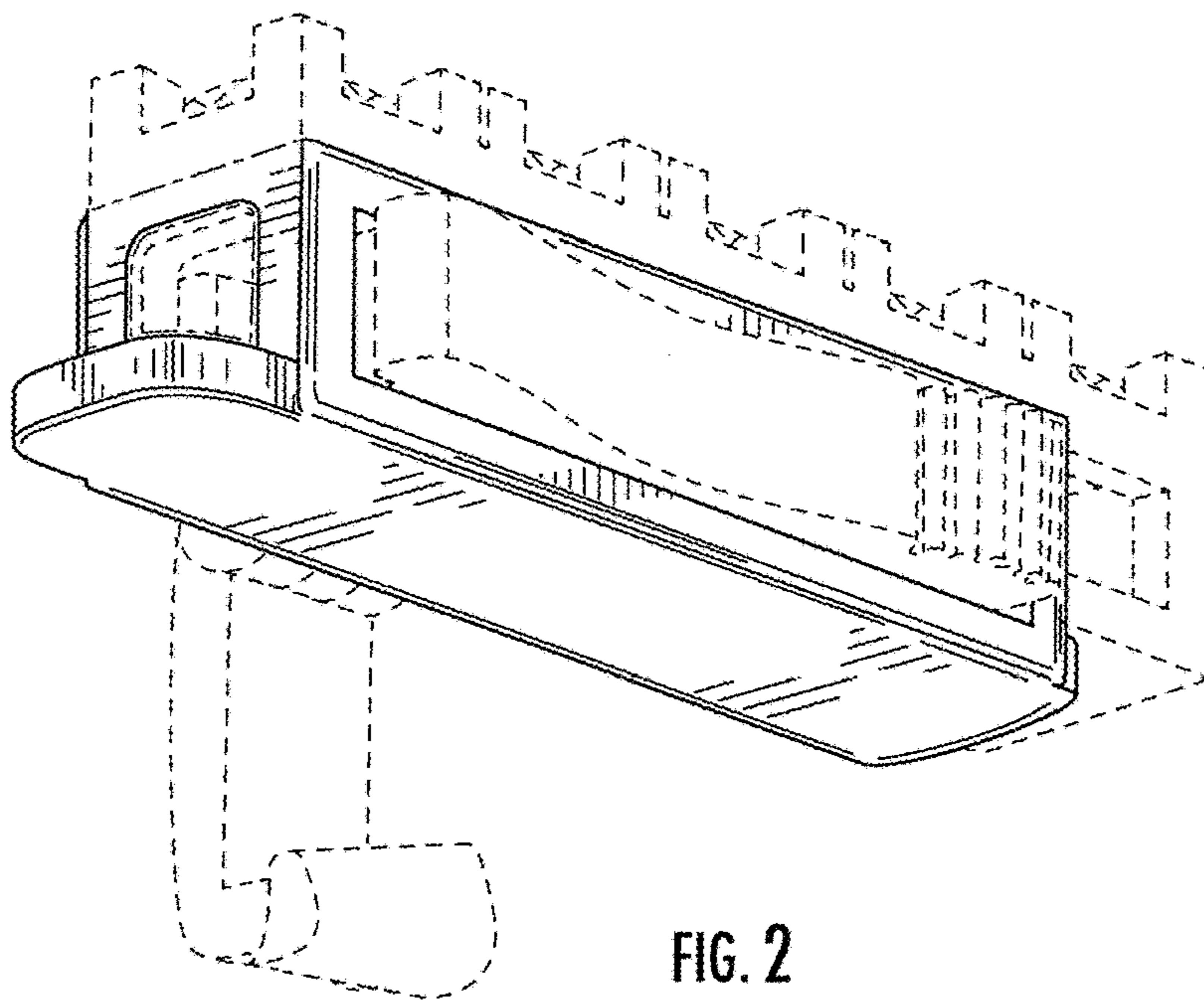


FIG. 2

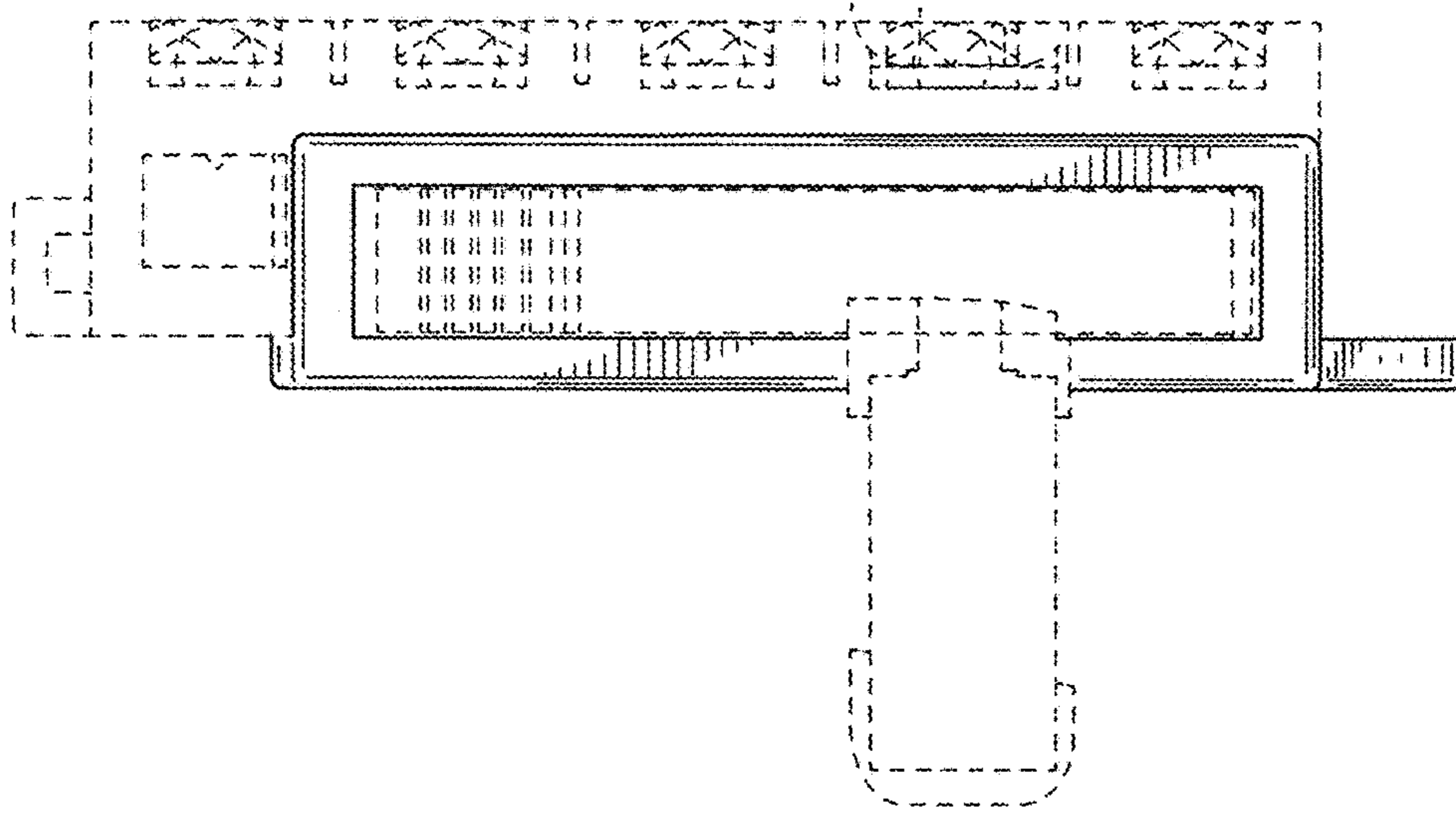


FIG. 3

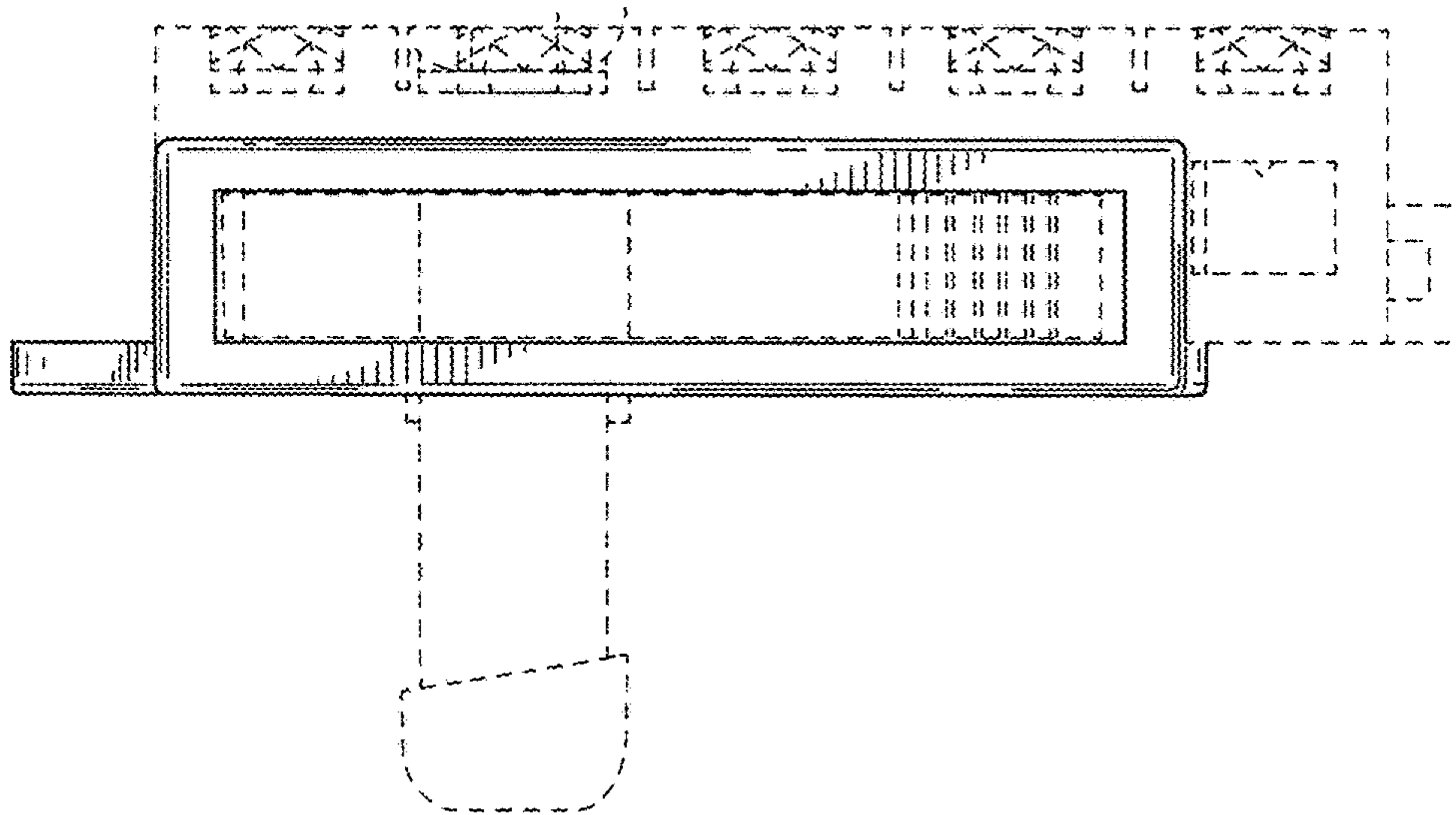


FIG. 4

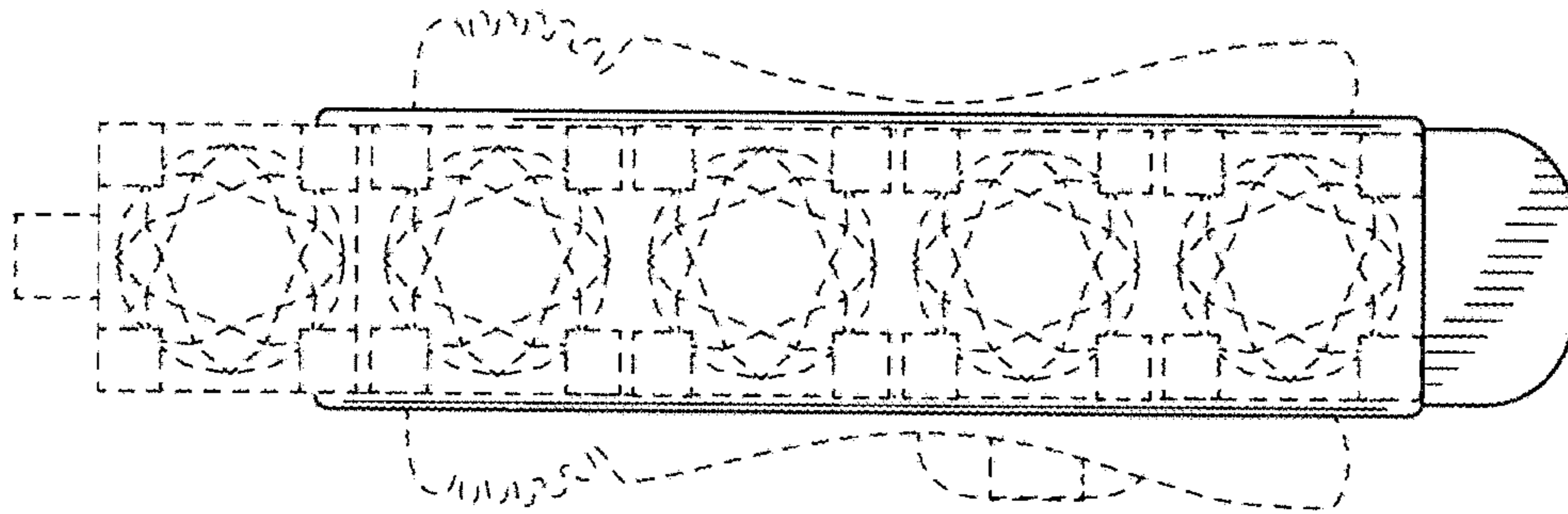


FIG. 5

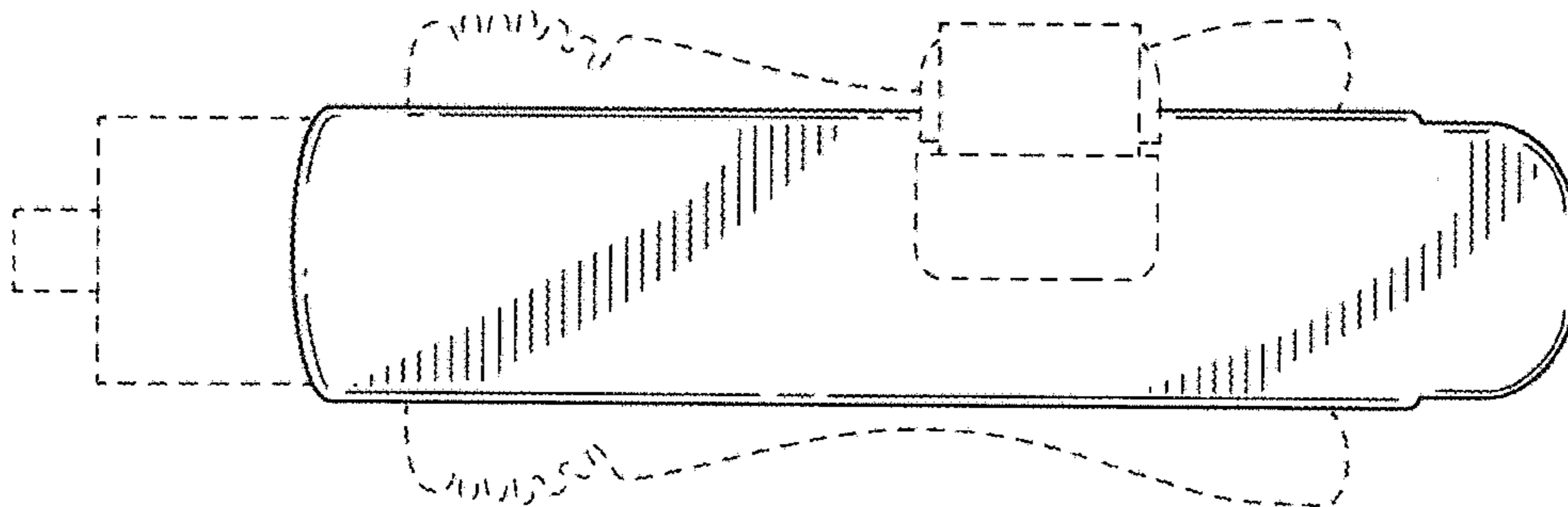


FIG. 6

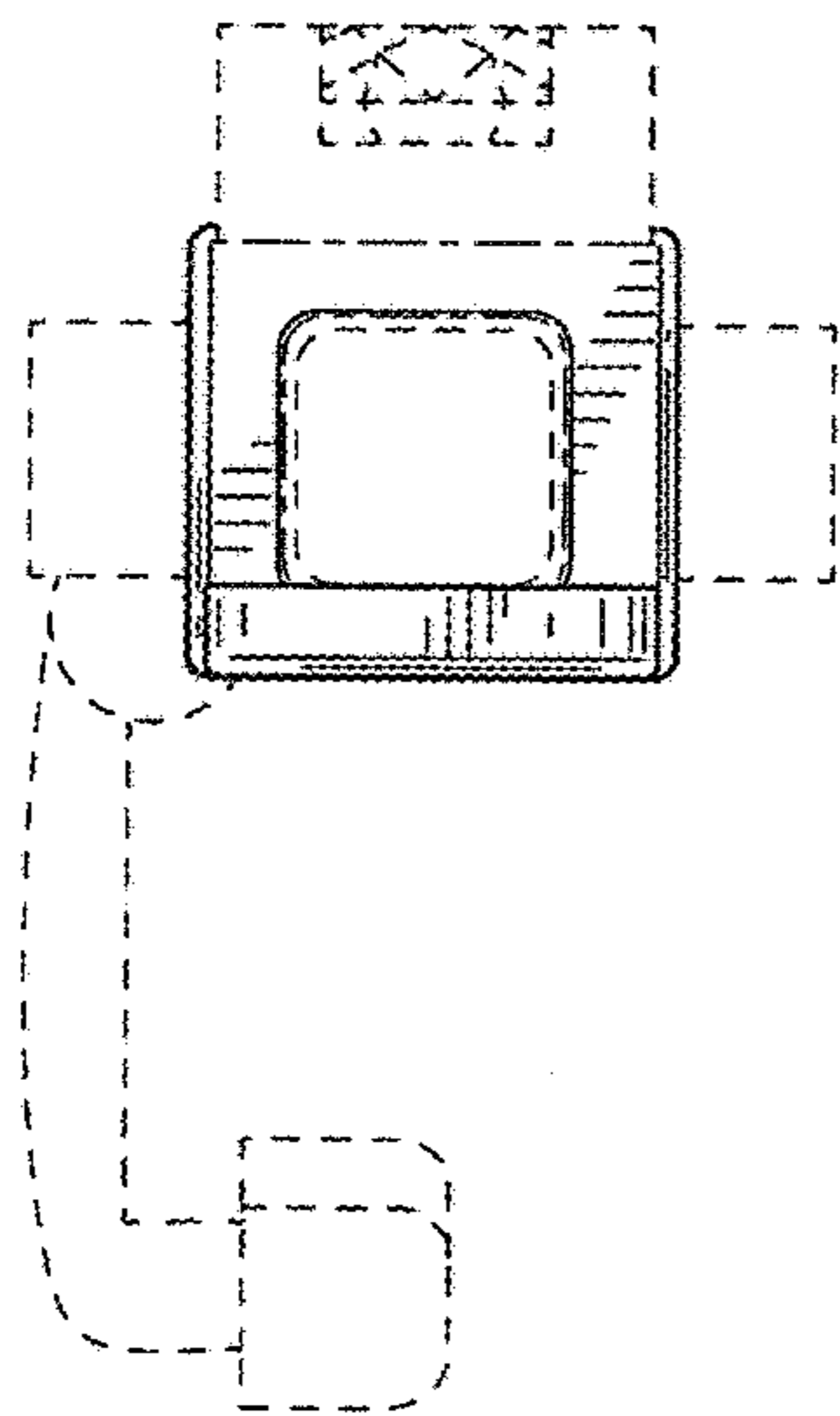


FIG. 7

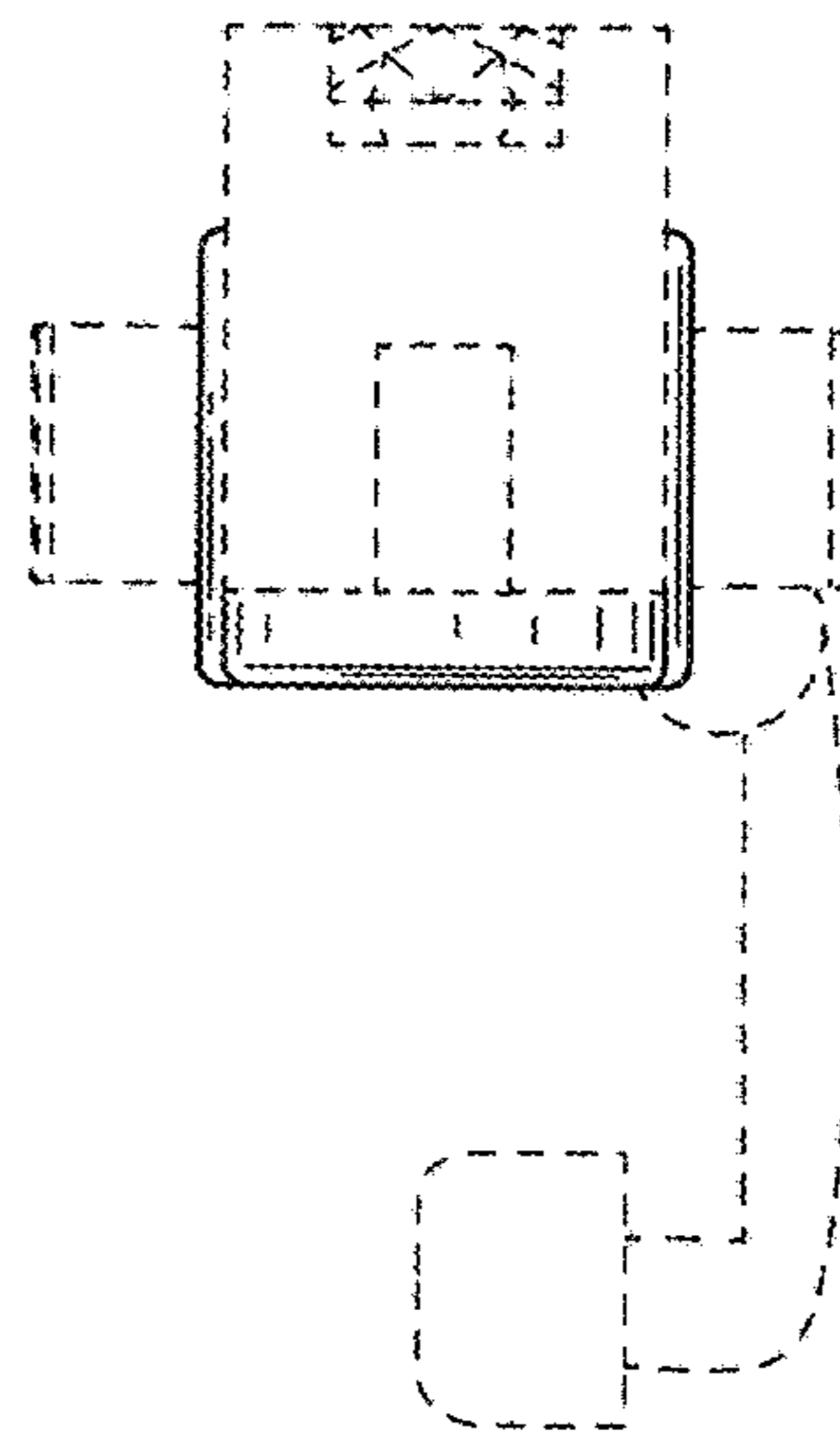


FIG. 8