



US00D852081S

(12) **United States Design Patent**
Jaliwala

(10) **Patent No.:** **US D852,081 S**

(45) **Date of Patent:** **** Jun. 25, 2019**

- (54) **BRACELET LOCK MEMBER** 5,701,640 A * 12/1997 Locher A44C 5/2071
24/265 WS
- (71) Applicant: **Jewelex New York, Ltd.**, New York, NY (US) D393,428 S 4/1998 Morrison
5,819,380 A 10/1998 Paolercio et al.
5,832,571 A * 11/1998 Kanamori A44C 5/2038
24/599.6
- (72) Inventor: **Khaiyam Jaliwala**, Mumbai (IN) D415,058 S 10/1999 Haase
6,140,591 A 10/2000 Osborne et al.
- (73) Assignee: **JEWELX NEW YORK, LTD.**, New York, NY (US) 6,202,268 B1 3/2001 Goldstein et al.
6,598,271 B2 * 7/2003 Nire A41F 1/002
24/265 WS
- (**) Term: **15 Years** 6,718,797 B2 4/2004 Plumly
6,800,070 B2 10/2004 Mazidji et al.
7,849,569 B2 * 12/2010 Cope A44C 5/2042
24/303
- (21) Appl. No.: **29/681,861**

(Continued)

- (22) Filed: **Feb. 28, 2019**
- (51) **LOC (11) Cl.** **11-01**
- (52) **U.S. Cl.**
USPC **D11/87**
- (58) **Field of Classification Search**
USPC D11/1-25, 86-87, 94
CPC A44C 5/00; A44C 5/18; A44C 5/2052;
A44C 5/2057; A44C 5/2066; A44C 5/209
See application file for complete search history.

Primary Examiner — Zenia I Bennett
(74) *Attorney, Agent, or Firm* — Andrew F. Young, Esq.;
Lackebach Siegel, LLP

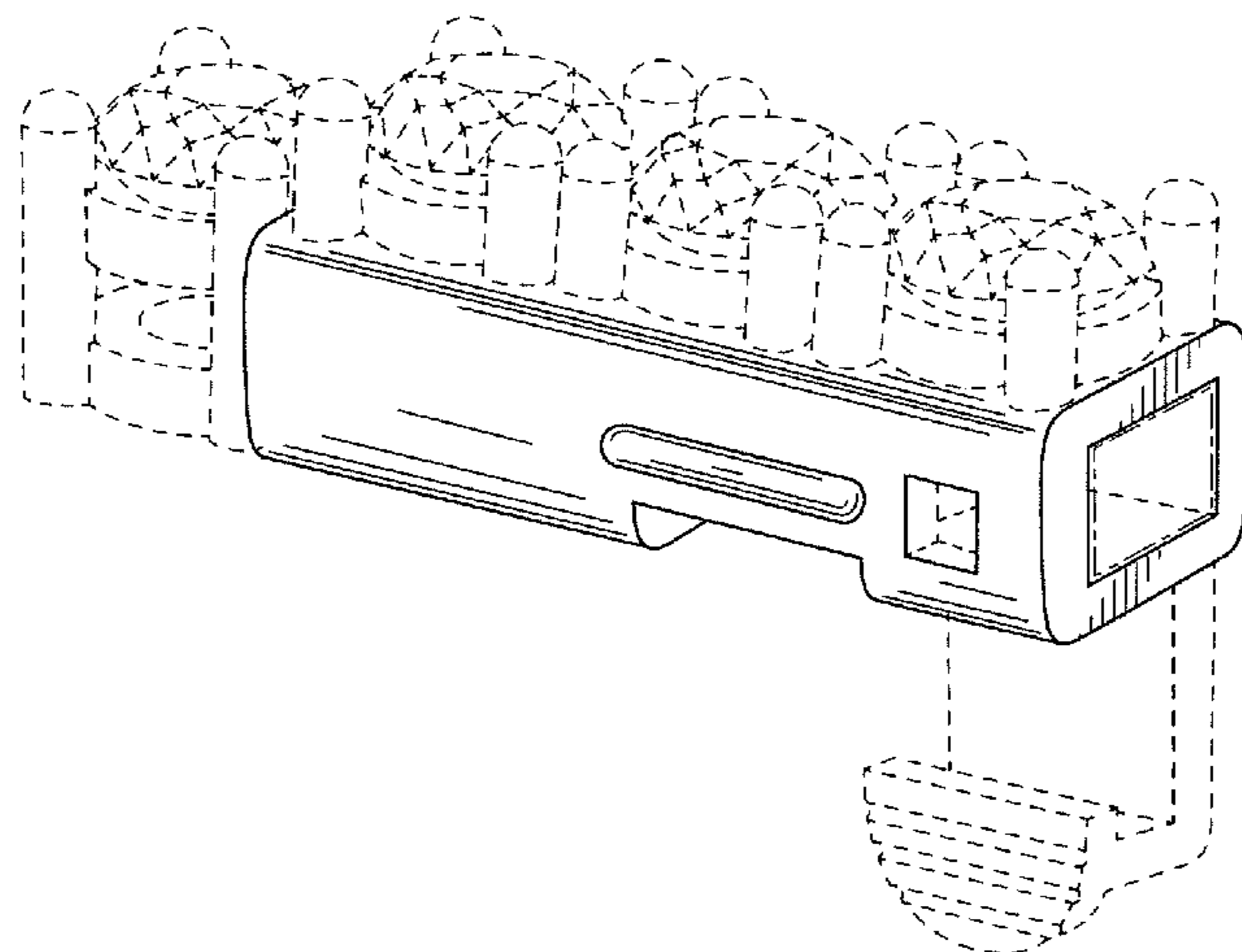
(57) **CLAIM**
The ornamental design for a bracelet lock member, as shown and described.

DESCRIPTION

- (56) **References Cited**
U.S. PATENT DOCUMENTS
- 789,450 A 5/1905 Prentice
- 3,205,546 A 9/1965 Nelson
- 3,350,764 A 11/1967 Geldwerth
- 3,430,306 A 3/1969 Tareau
- 4,286,360 A 9/1981 Skobel
- 4,340,999 A 7/1982 Chini
- D292,871 S 11/1987 Hayashi
- 4,901,204 A 2/1990 Hayashi
- D326,624 S 6/1992 Cowan
- 5,305,503 A 4/1994 Yamagata
- D351,568 S 10/1994 Pandel
- 5,412,850 A 5/1995 Miranda
- 5,416,954 A 5/1995 Sobin
- 5,435,047 A 7/1995 Colpo
- 5,457,976 A * 10/1995 Stillwagon A44B 15/002
24/3.6

FIG. 1 is front top perspective view of a bracelet lock member showing my new design.
FIG. 2 is a front bottom perspective view thereof.
FIG. 3 is a front elevation view thereof.
FIG. 4 is a rear elevation view thereof.
FIG. 5 is a top plan view thereof.
FIG. 6 is a bottom plan view thereof.
FIG. 7 is a right side elevation view thereof; and,
FIG. 8 is a left side elevation view thereof.
Statement: No claim is made to portions which are not shown. The dash-dash lining indicates disclaimed portions to which no claim is made. The dash-dot-dash lining indicates claim boundaries beyond which no claim is made. The surfaces are lined for contour only.

1 Claim, 4 Drawing Sheets



(56)

References Cited

U.S. PATENT DOCUMENTS

8,209,824 B2 *	7/2012	Fuhtman	A44C 5/2076 24/303
8,375,532 B2	2/2013	Yakubovich et al.	
8,677,575 B1	3/2014	Bergstrom	
D744,892 S	12/2015	Wolos et al.	
10,130,147 B2	11/2018	Coe	
2003/0066171 A1	10/2003	Terzian	
2004/0025984 A1	2/2004	Holemans et al.	
2018/0059435 A1	3/2018	Pan	

* cited by examiner

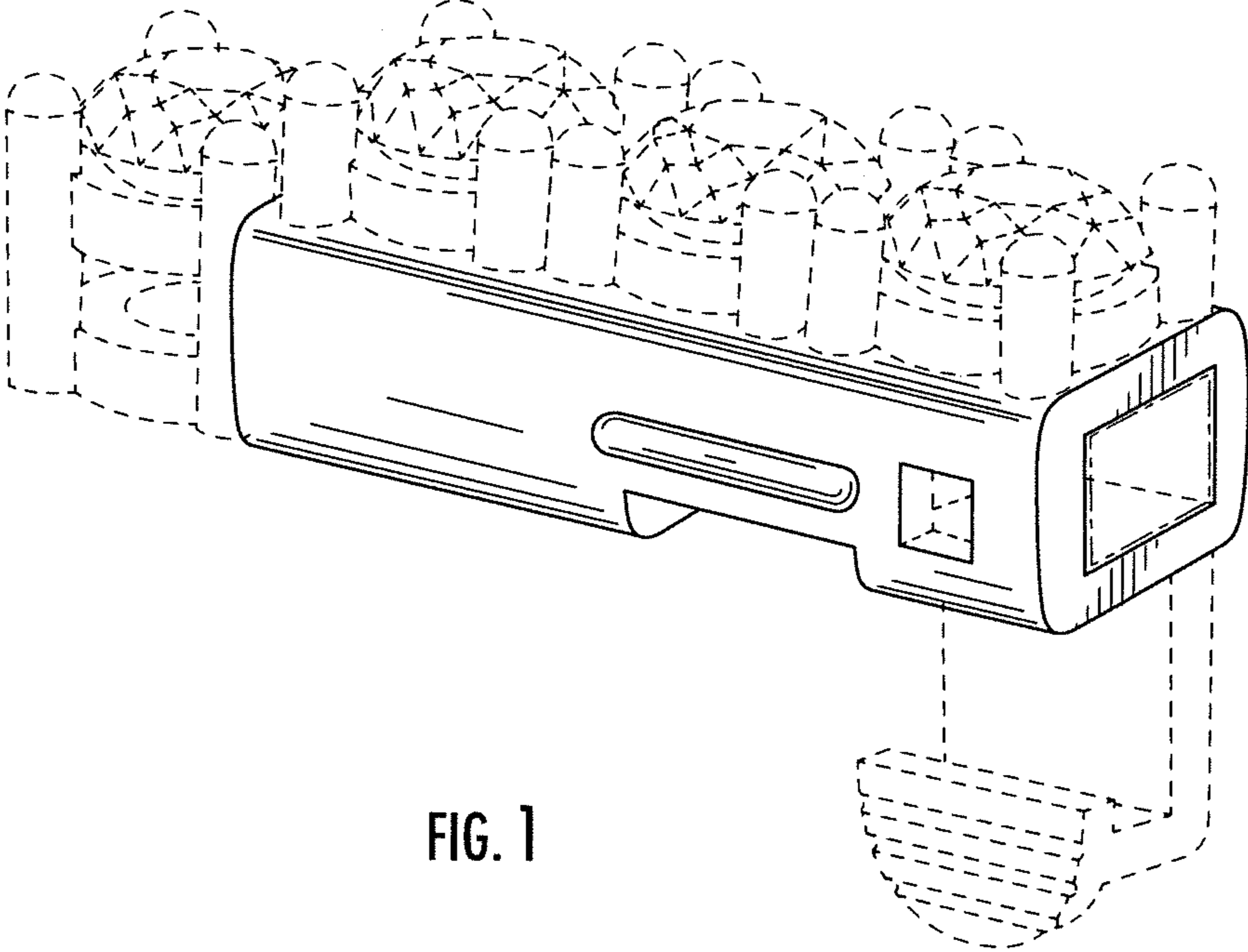


FIG. 1

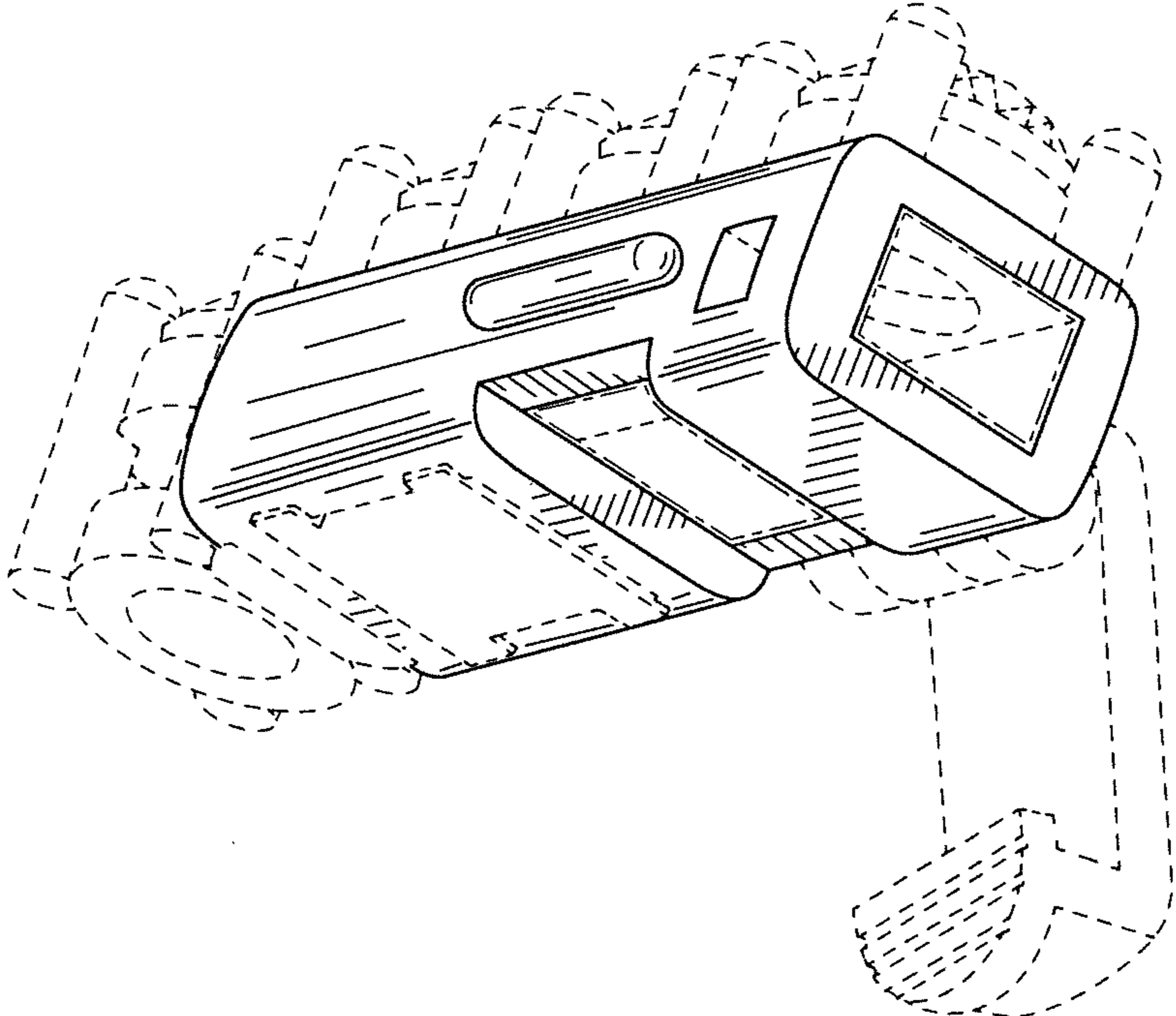


FIG. 2

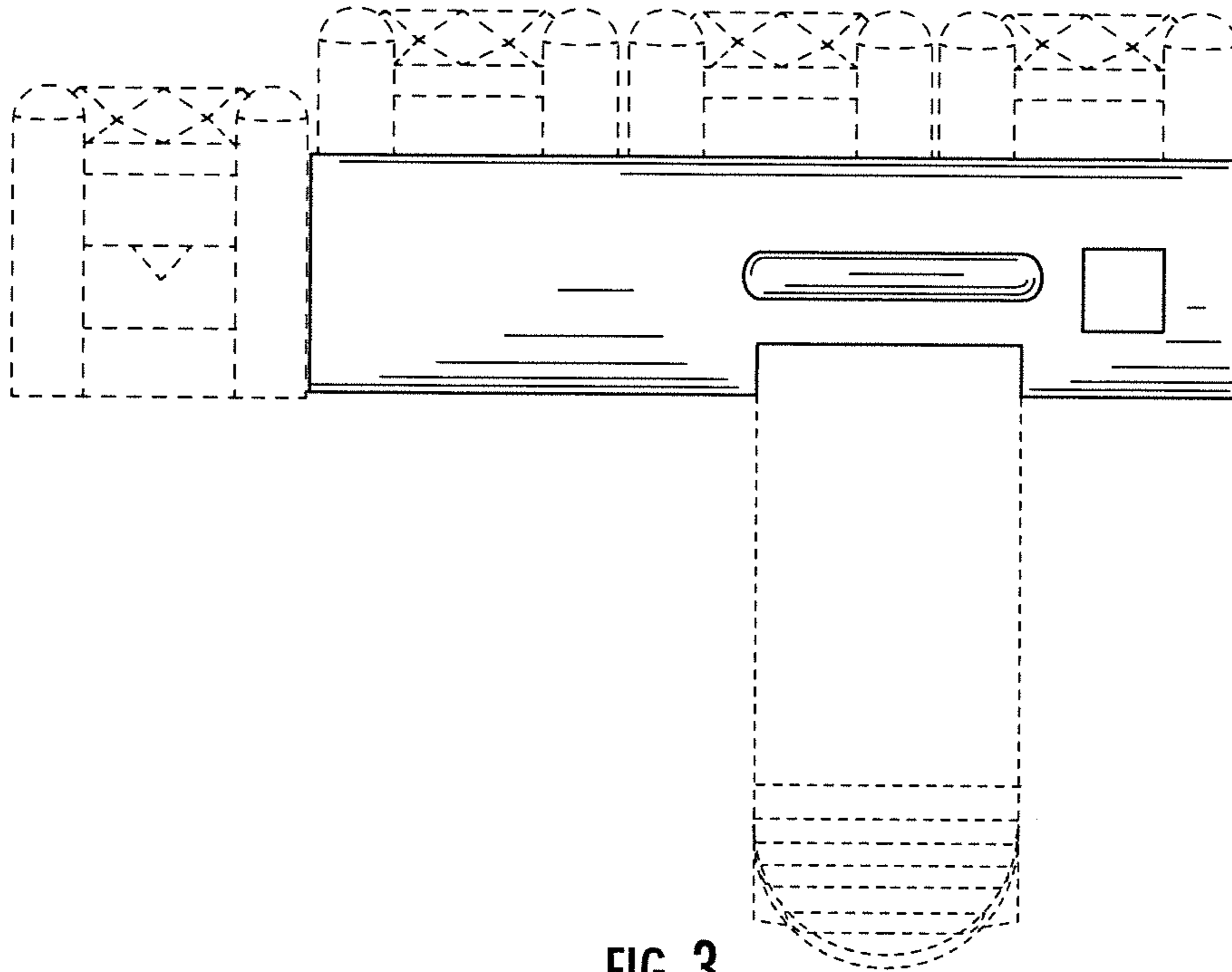


FIG. 3

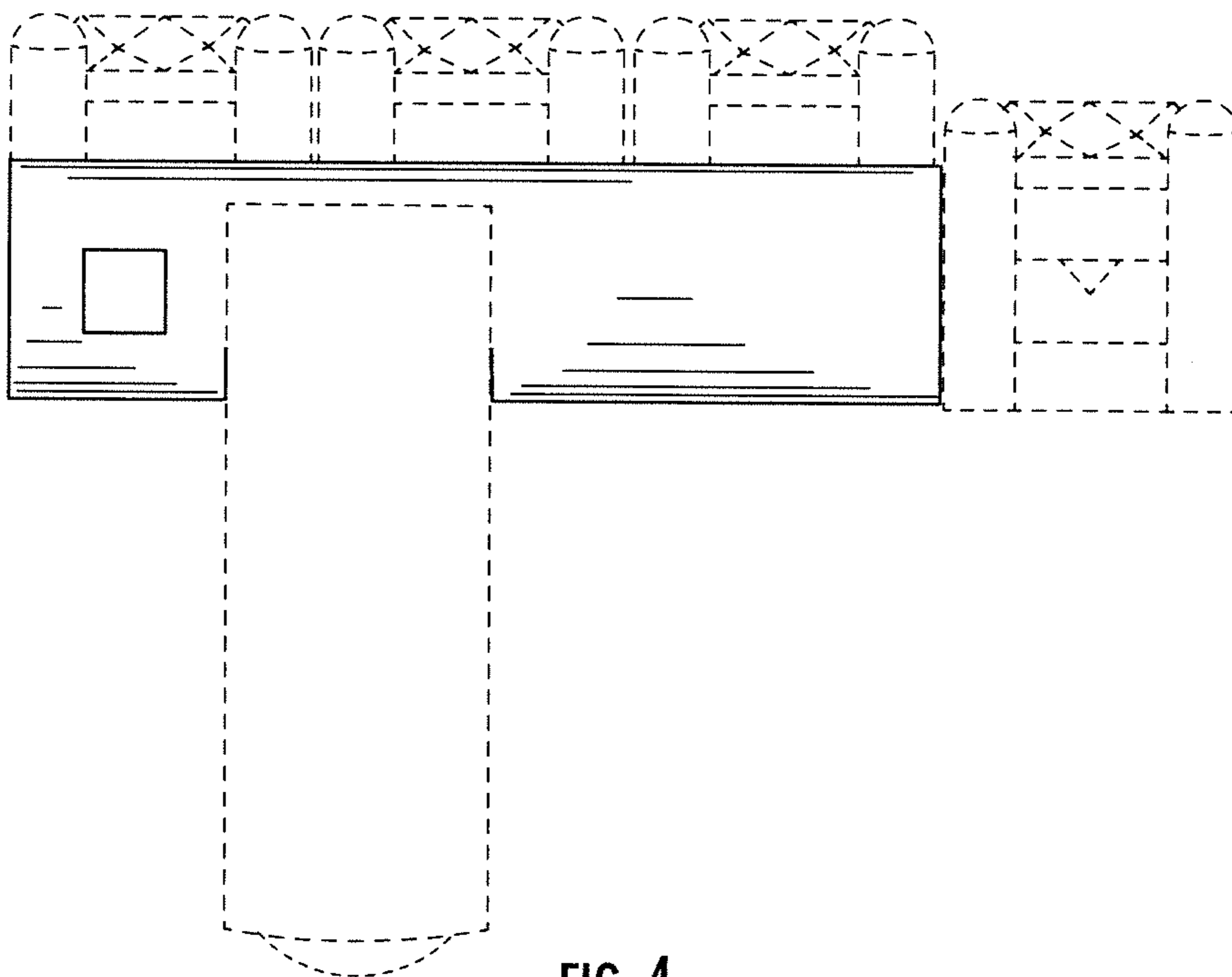


FIG. 4

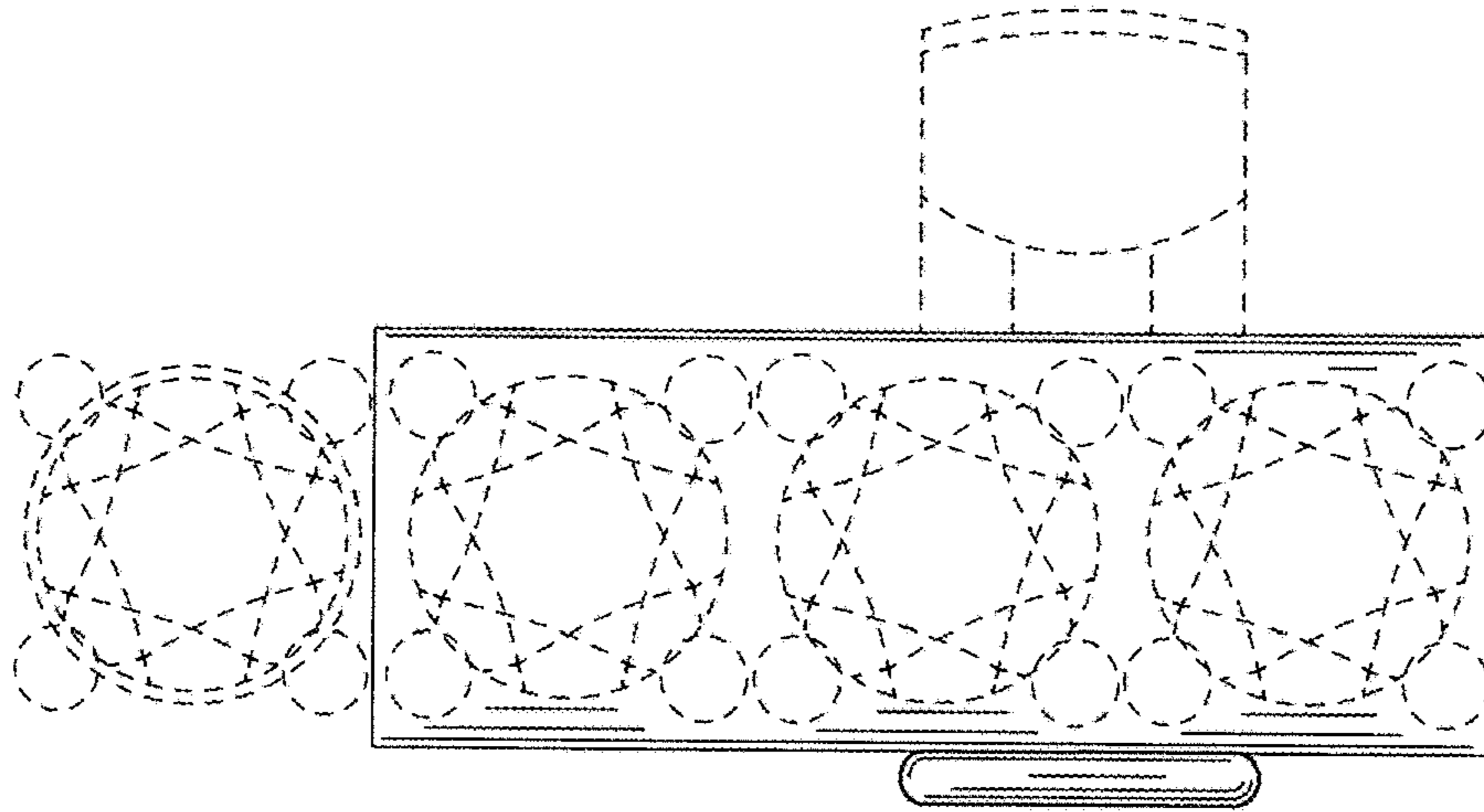


FIG. 5

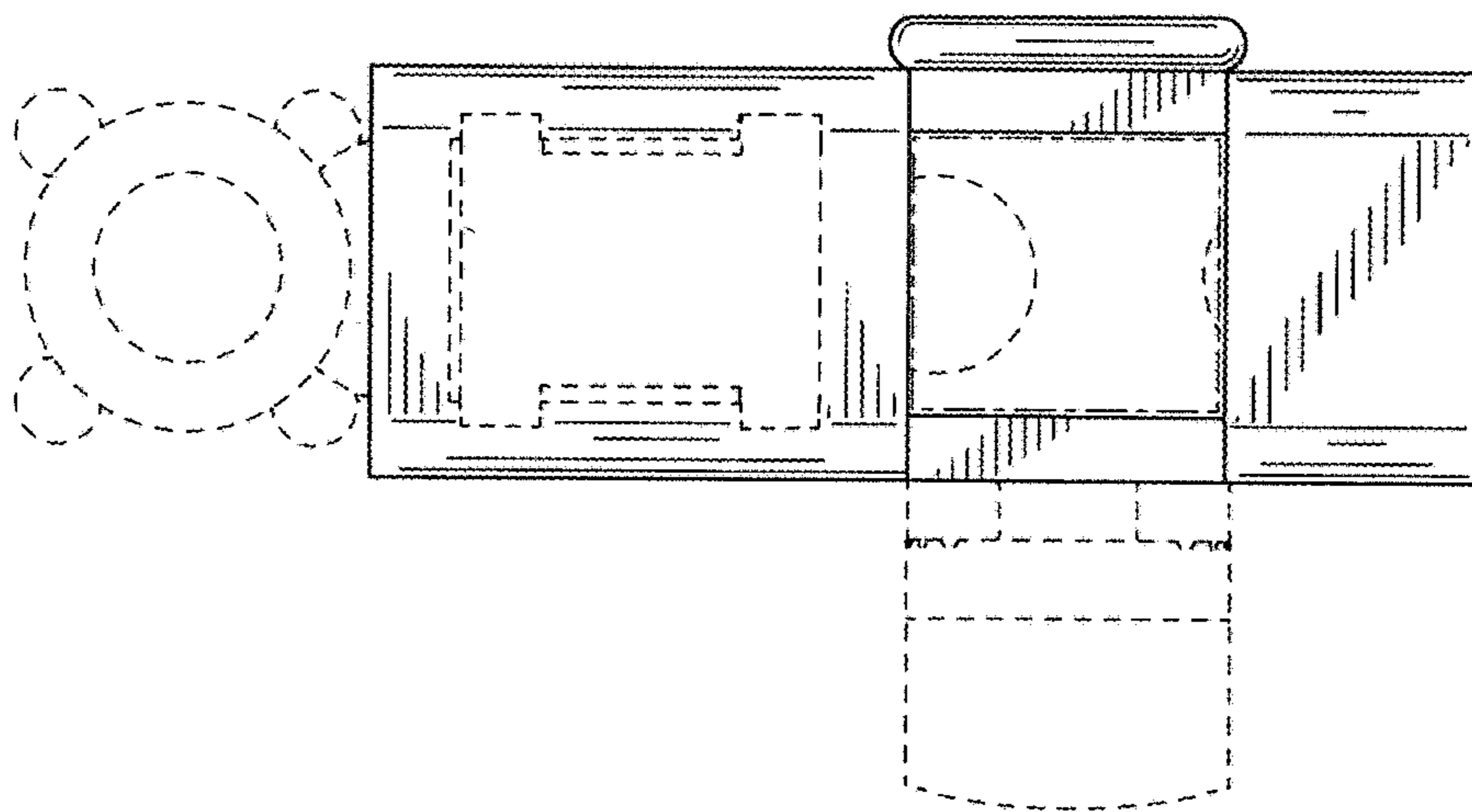


FIG. 6

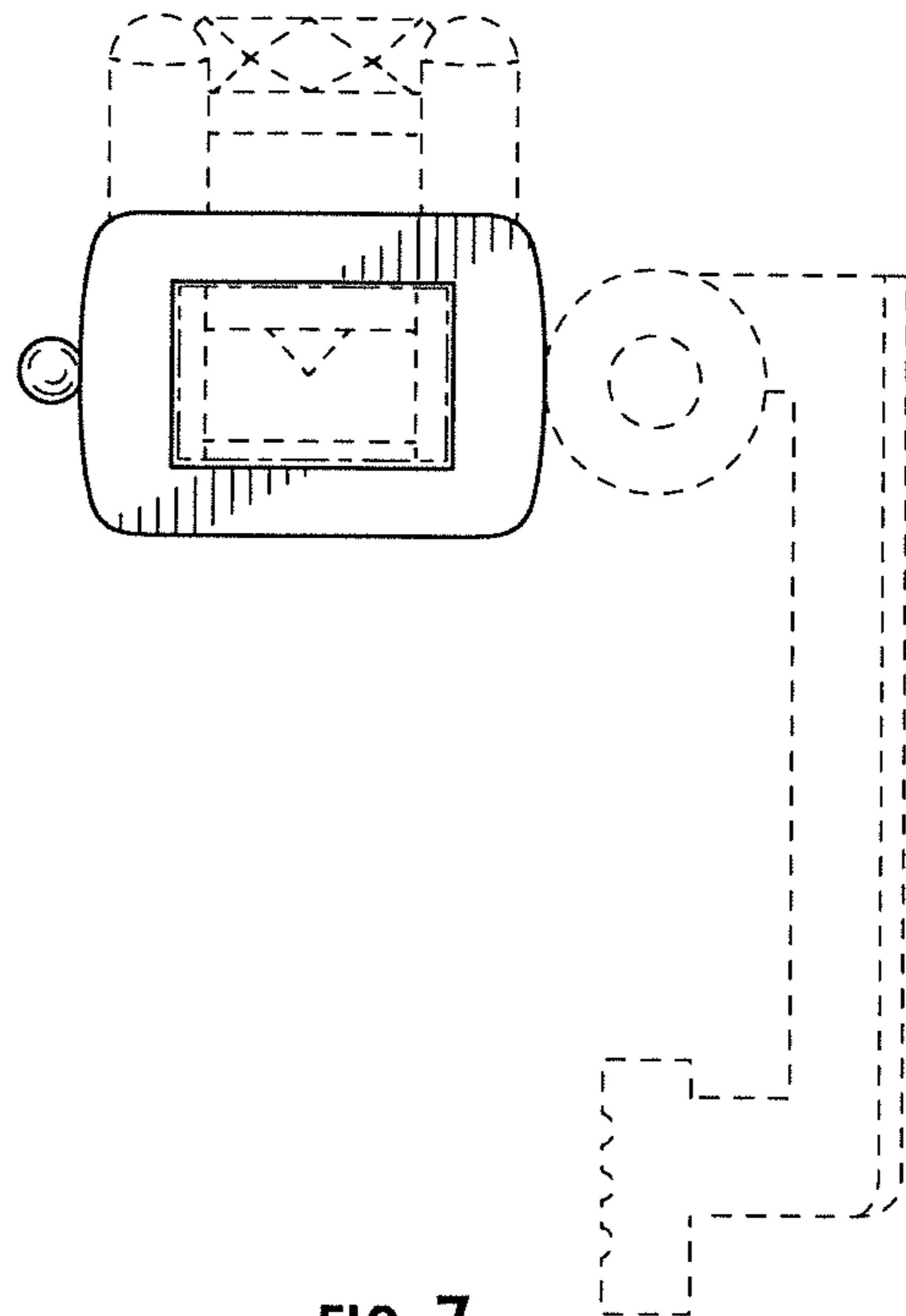


FIG. 7

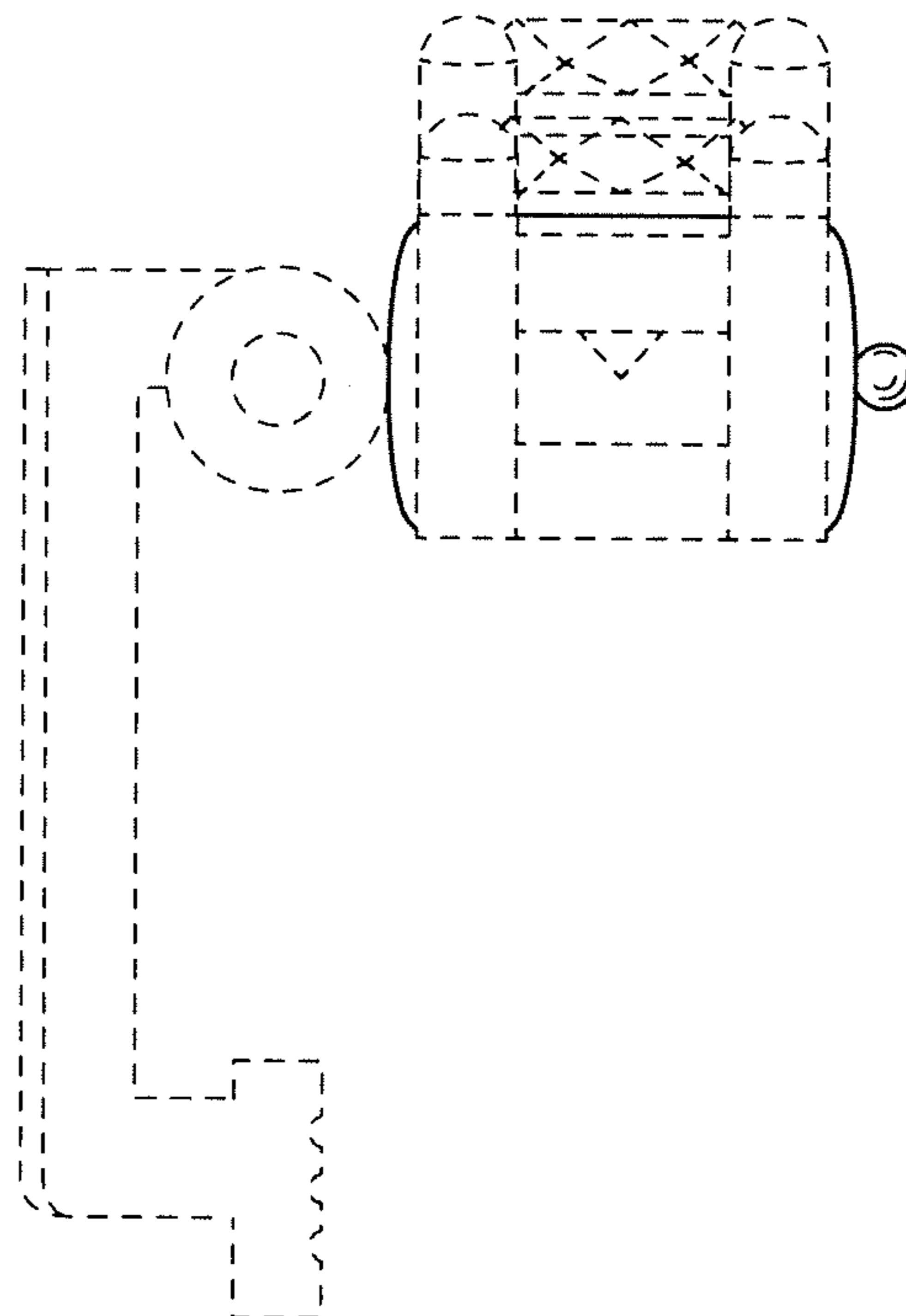


FIG. 8