



US00D852078S

(12) **United States Design Patent**
Sivriere

(10) **Patent No.:** **US D852,078 S**
(45) **Date of Patent:** **** Jun. 25, 2019**

(54) **RING**
(71) Applicant: **Richemont International SA,**
Villars-sur-Glane (CH)
(72) Inventor: **Stephanie Sivriere,** Plan-les-Ouates
(CH)
(73) Assignee: **Richemont International SA,**
Villars-sur-Glane (CH)
(**) Term: **15 Years**

D143,562 S * 1/1946 Speck D11/76
D248,286 S * 6/1978 Barr D11/33
D248,741 S * 8/1978 Barr D11/33
D526,235 S * 8/2006 Becker D11/63
D538,194 S * 3/2007 Hardy D11/30
D548,130 S * 8/2007 Karachi-Langane D11/30
D680,022 S * 4/2013 Parvex D11/34
D734,198 S * 7/2015 Greppi D11/84
D781,172 S * 3/2017 Coin D11/26
D783,441 S * 4/2017 Yatsugi-Kang D11/34
D803,714 S * 11/2017 Coin D11/1
D821,250 S * 6/2018 Sivriere D11/33
D828,778 S * 9/2018 Buccellati D11/26

(21) Appl. No.: **29/648,357**

OTHER PUBLICATIONS

(22) Filed: **May 21, 2018**

[Online] "Piaget Rose Ring" <https://www.piaget.com/jewelry/rose-gold-diamond-ring-g34uv600>. Retrieved Jan. 20, 2019.*

(30) **Foreign Application Priority Data**

(Continued)

Nov. 22, 2017 (WO) DM/098671

Primary Examiner — Melanie Pellegrini

(51) **LOC (11) Cl.** **11-01**

(74) *Attorney, Agent, or Firm* — Taft Stettinius & Hollister LLP

(52) **U.S. Cl.**
USPC **D11/33**

(58) **Field of Classification Search**
USPC D11/79–85, 95, 96, 1, 115, 67, 26–39,
D11/91, 92

(57) **CLAIM**

CPC .. A44C 1/00; A44C 3/00; A44C 3/001; A44C
3/004; A44C 9/00; A44C 9/0007; A44C
9/0015; A44C 9/0023; A44C 9/003; A44C
9/0038; A44C 9/0046; A44C 9/0053;
A44C 9/0061; A44C 9/0069; A44C
9/0076; A44C 9/0084; A44C 9/0092;
A44C 9/02; A44C 25/00; A44C 25/001;
A44C 25/002; A44C 25/004; A44C
25/007

The ornamental design for a ring, as shown and described.

See application file for complete search history.

DESCRIPTION

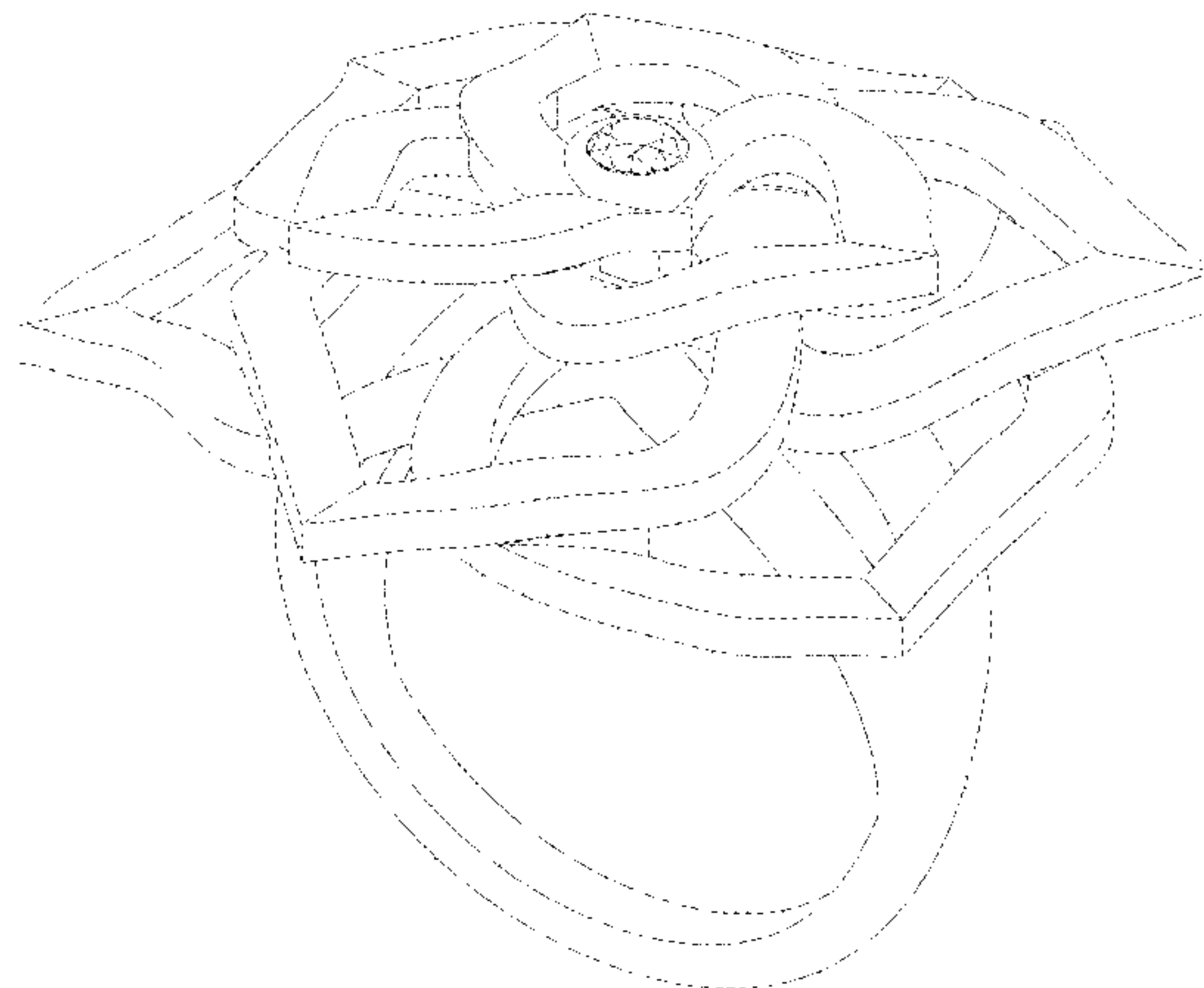
(56) **References Cited**

FIG. 1 is a front elevational view of a ring showing my new design;
FIG. 2 is a back elevational view thereof;
FIG. 3 is a bottom plan view thereof;
FIG. 4 is a top plan view thereof;
FIG. 5 is a right side elevational view thereof;
FIG. 6 is a left side elevational view thereof;
FIG. 7 is a front, right side perspective view thereof; and,
FIG. 8 is a back, left side perspective view thereof.

U.S. PATENT DOCUMENTS

2,119,039 A * 5/1938 Boyd A44C 9/00
63/15
D122,221 S * 8/1940 Philippe D11/74

1 Claim, 8 Drawing Sheets



(56)

References Cited

OTHER PUBLICATIONS

[Online] "Pandora Shimmering Rose Ring" <https://www.lintsjeskajee.com/pandora-shimmering-rose-ring-black-friday-deals.html>. Retrieved Jan. 20, 2019.*

[Online] "Vera Wang Love Collection . . ." <https://www.zales.com/vera-wang-love-collection-12-ct-tw-diamond-rose-ring-14k-white-gold/p/V-19989313>. Retrieved Jan. 20, 2019.*

* cited by examiner

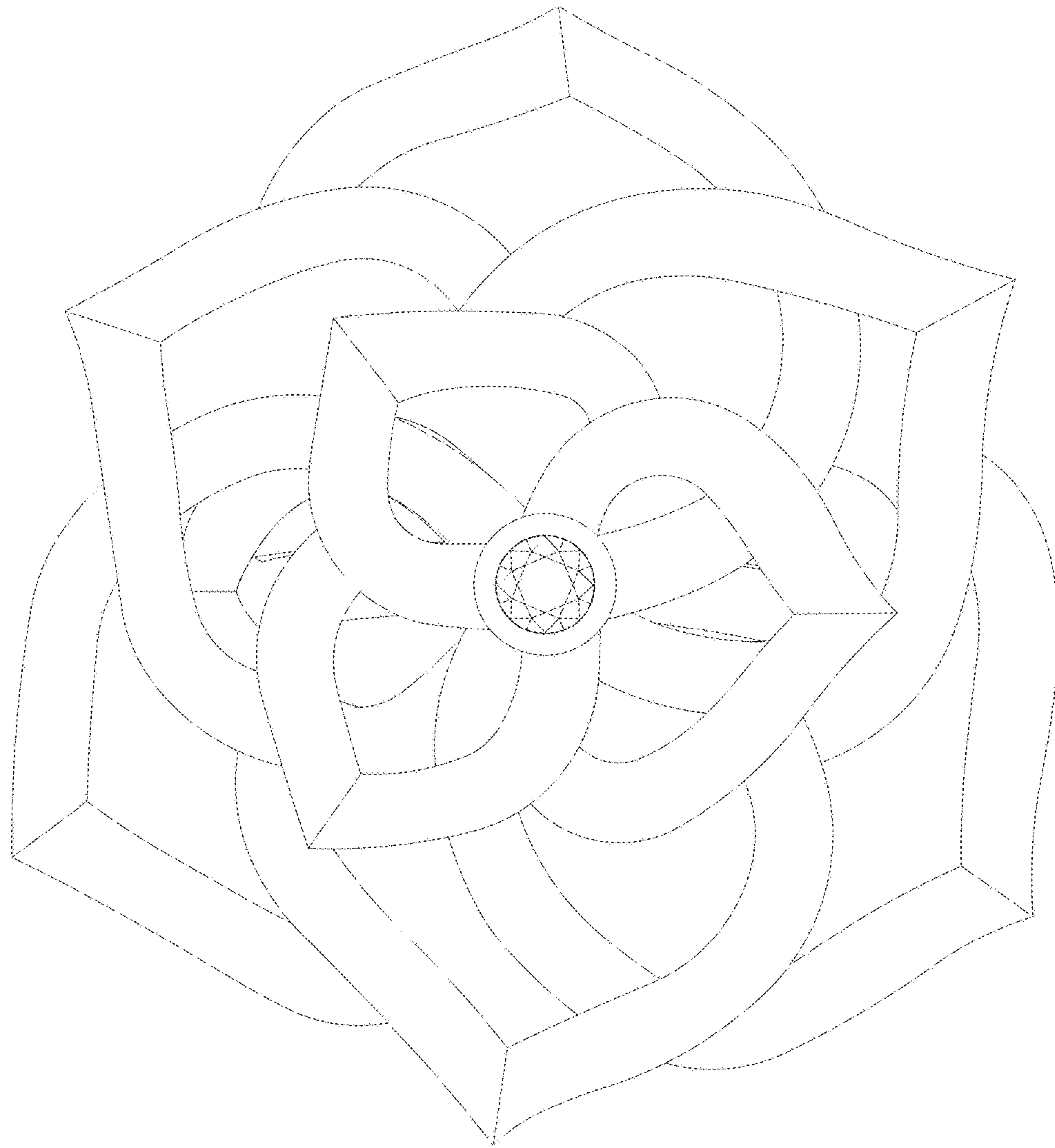


Fig. 1

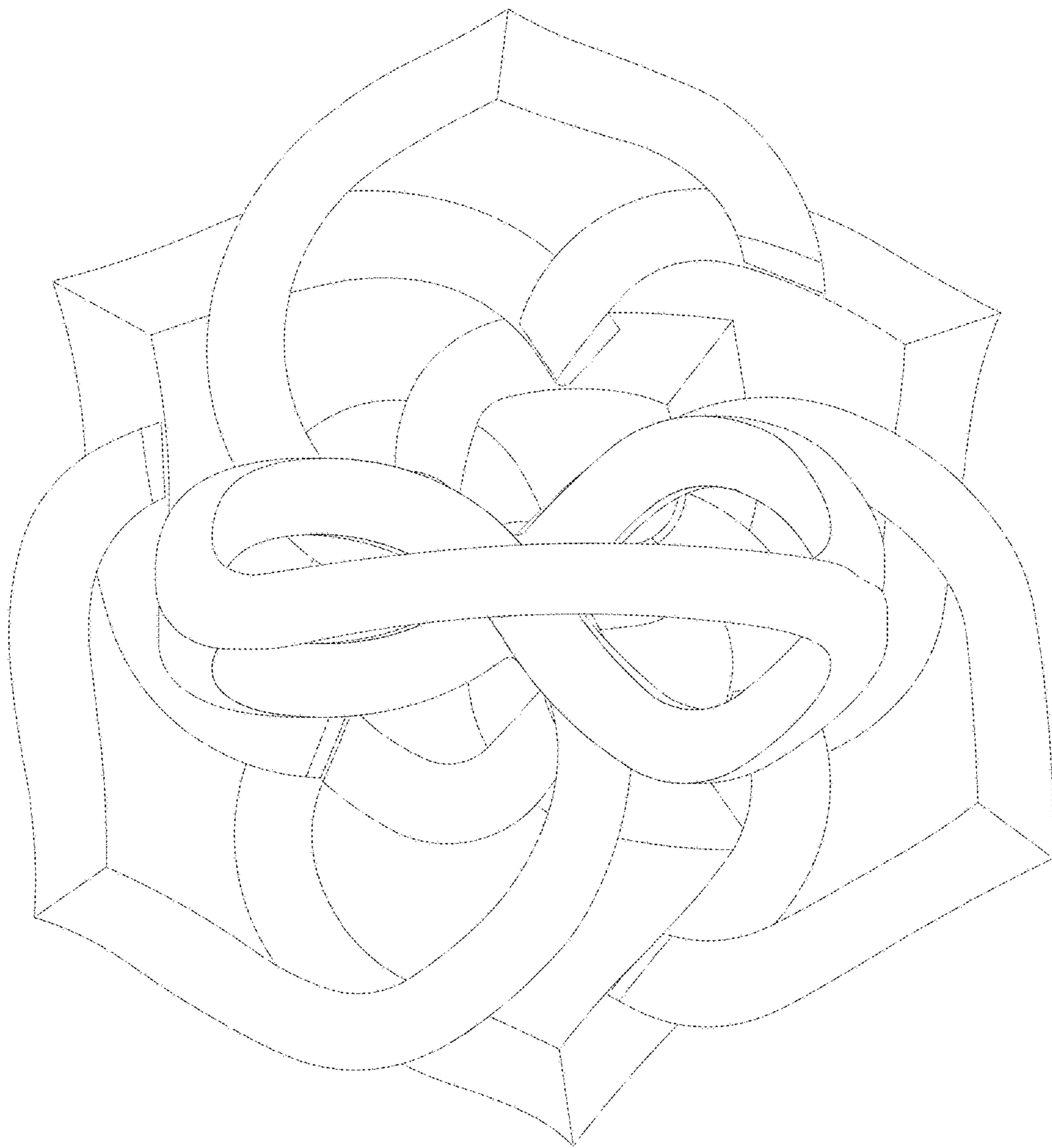


Fig. 2

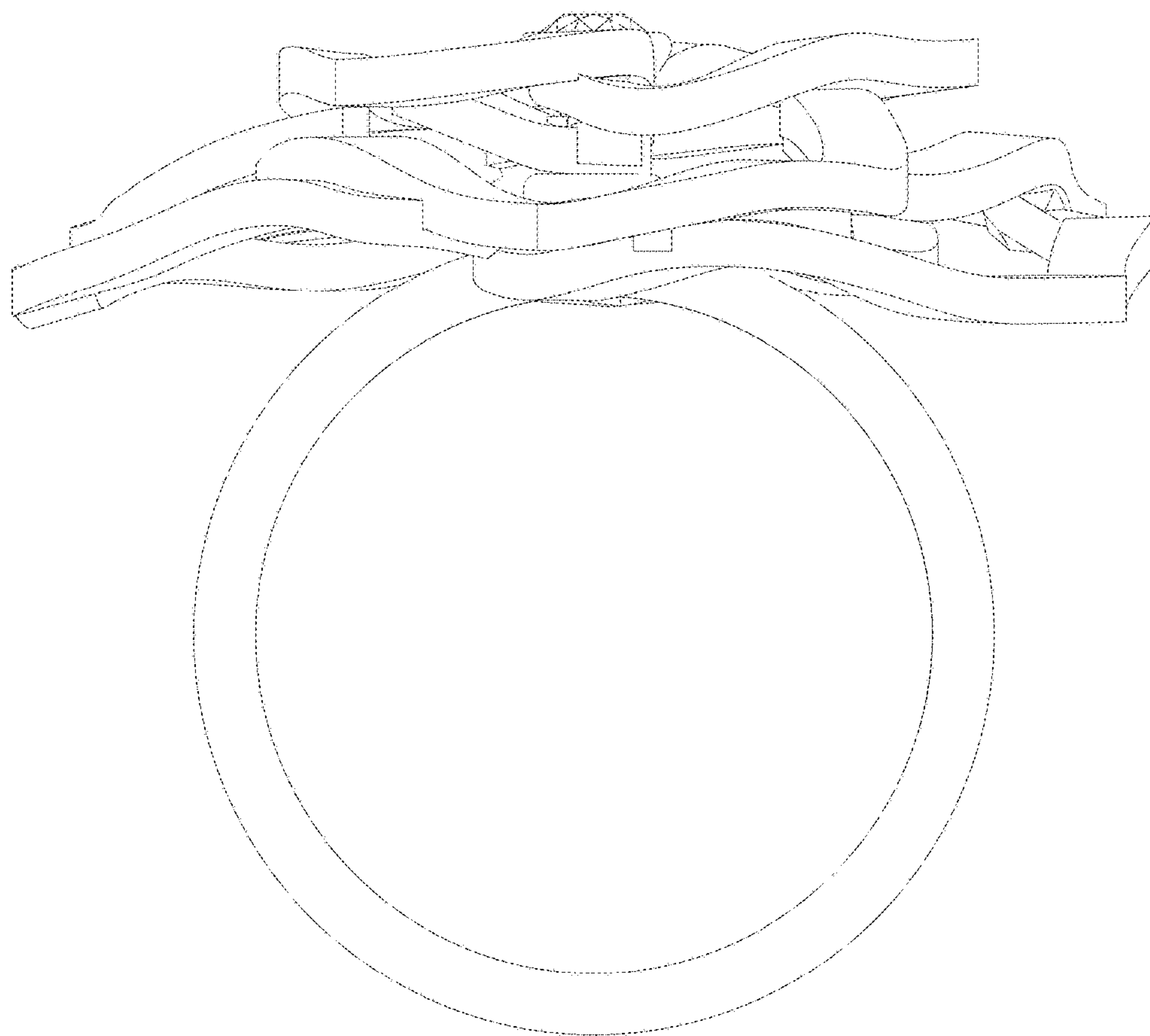


Fig. 3

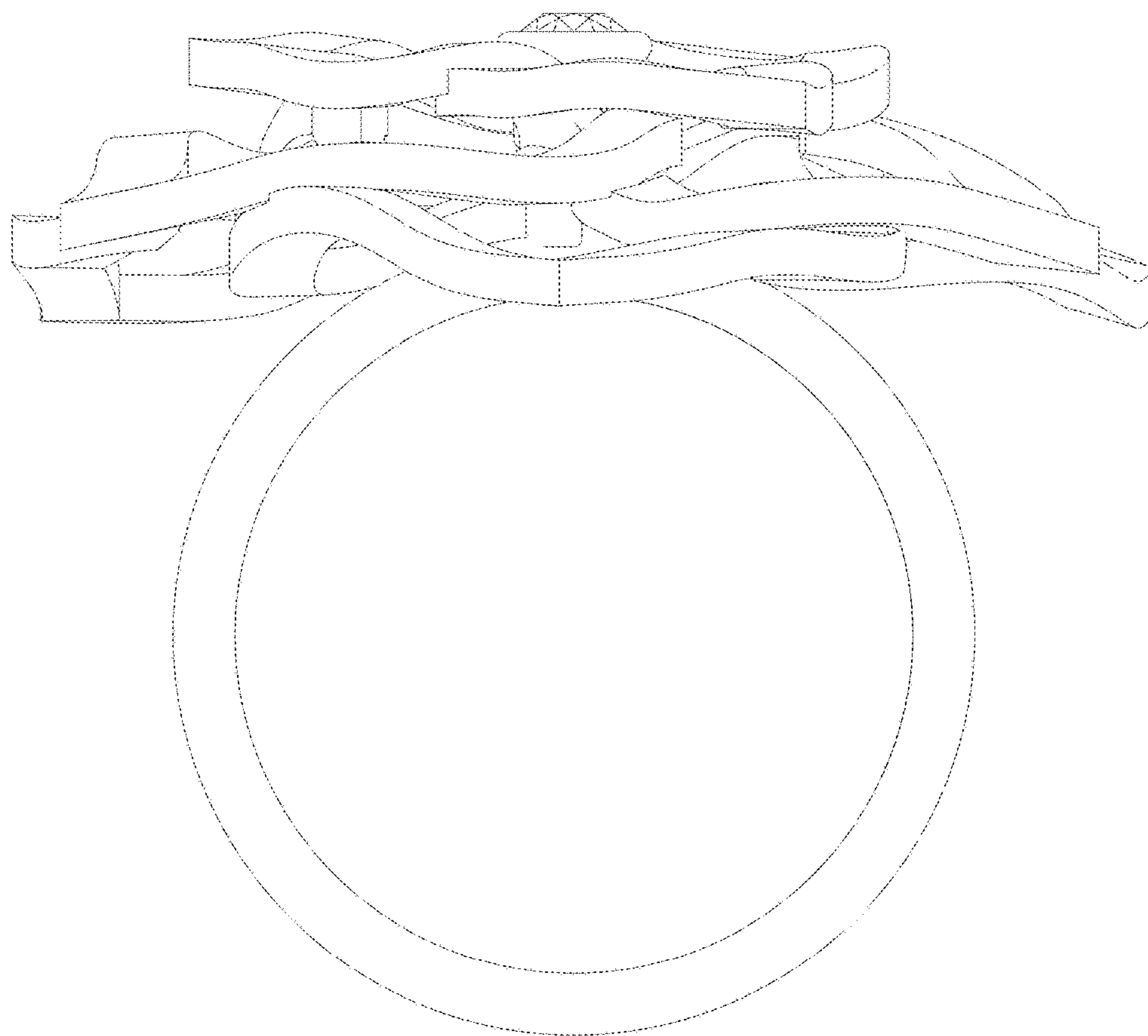


Fig. 4

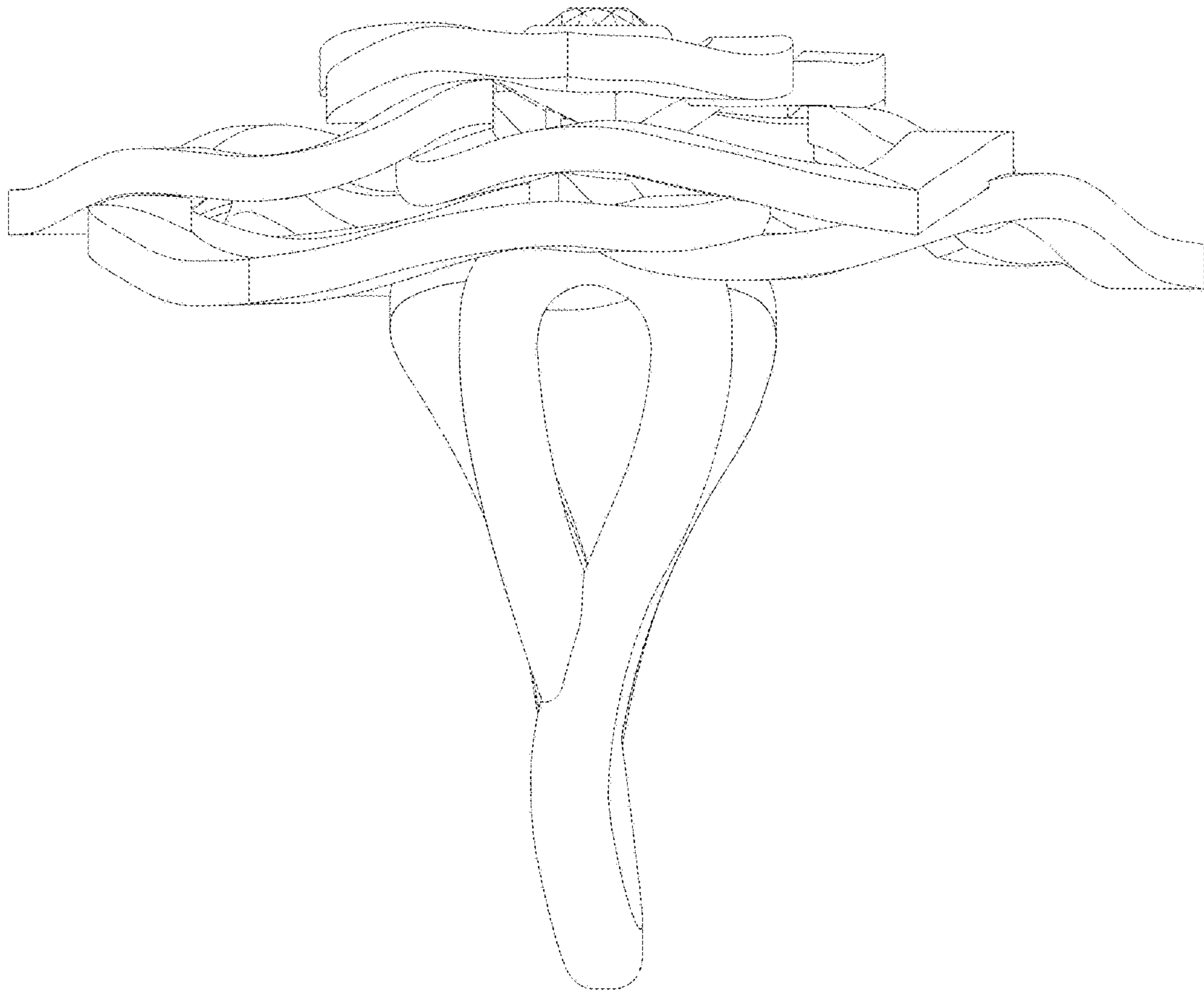


Fig. 5

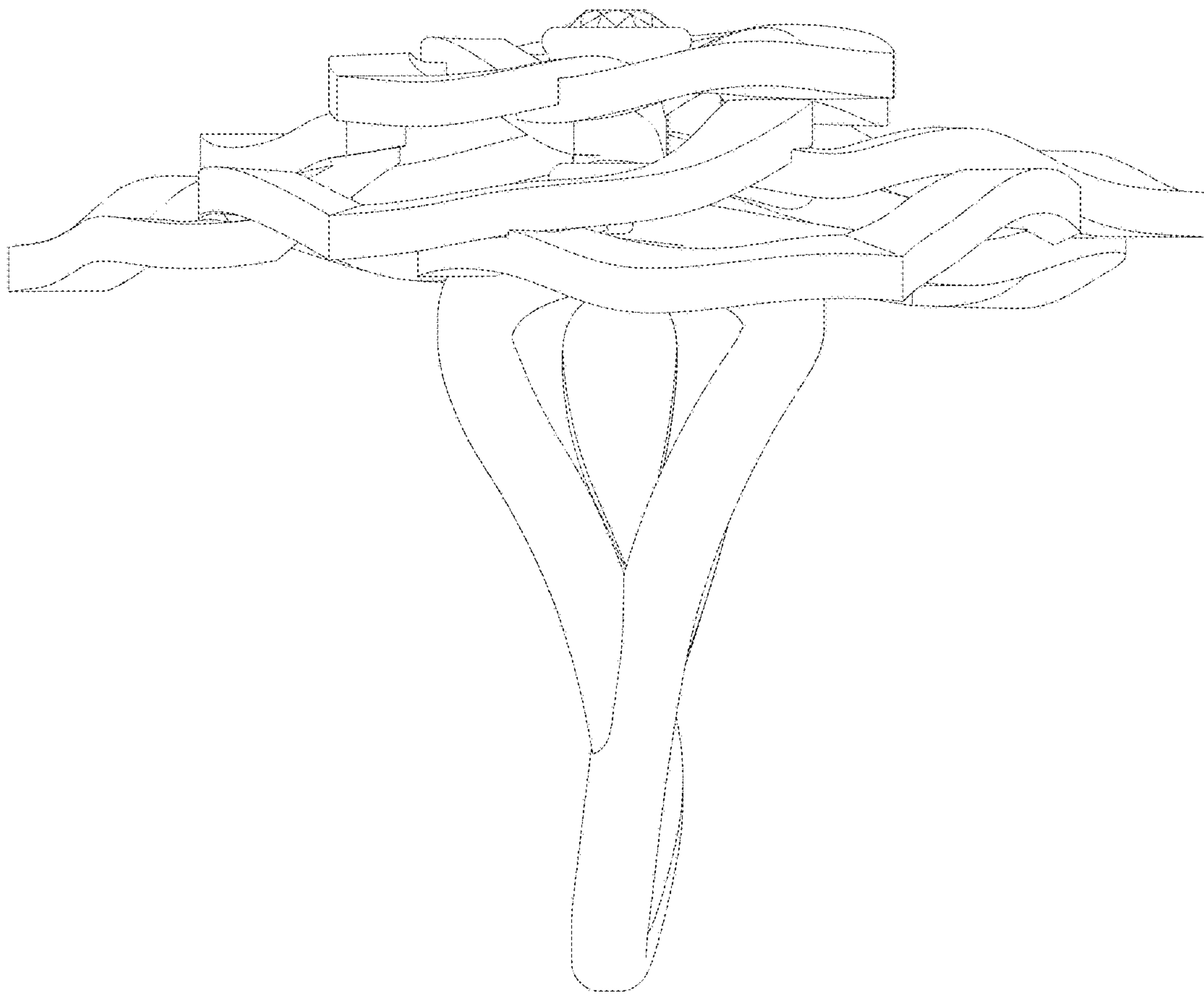


Fig. 6

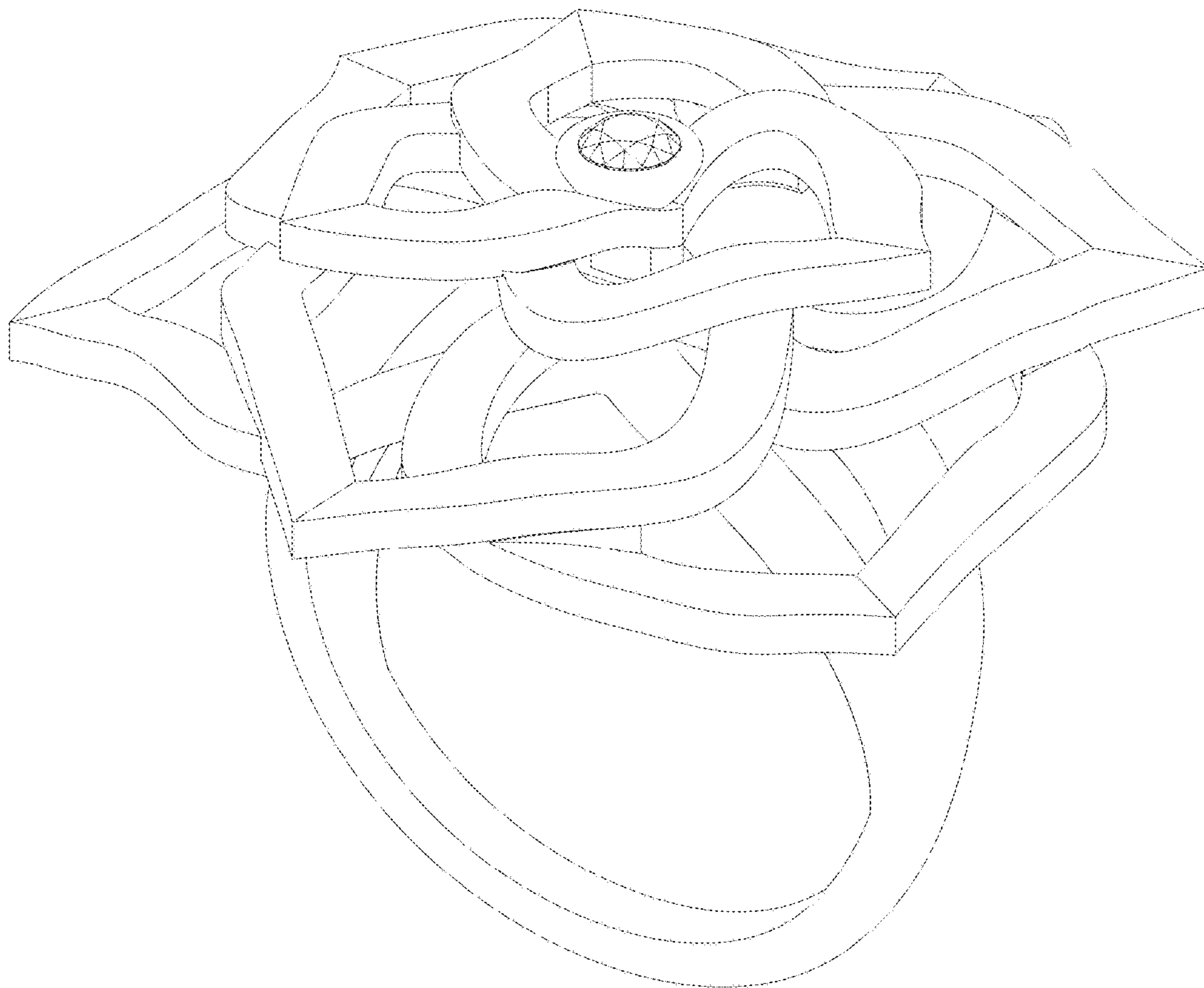


Fig. 7

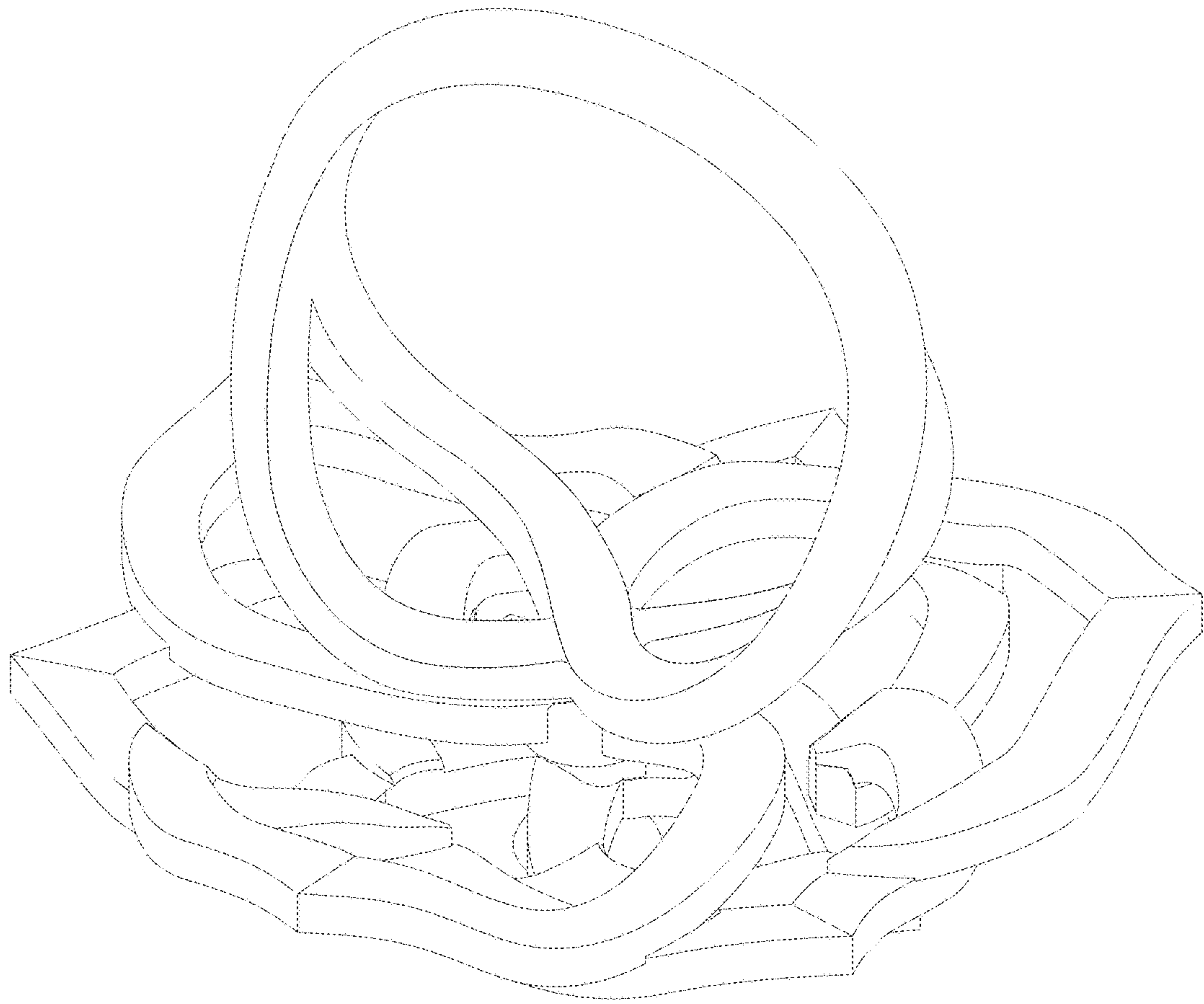


Fig. 8