



US00D852077S

(12) **United States Design Patent**  
**Seaberry et al.**

(10) **Patent No.:** **US D852,077 S**

(45) **Date of Patent:** **\*\* Jun. 25, 2019**

(54) **CHIME**

(71) Applicant: **SkyBell Technologies, Inc.**, Irvine, CA (US)

(72) Inventors: **Dashawn Davon Seaberry**, Irvine, CA (US); **Seton Paul Kasmir**, San Diego, CA (US); **Joseph Frank Scalisi**, Yorba Linda, CA (US); **Desiree Mejia**, Yorba Linda, CA (US)

(73) Assignee: **SkyBell Technologies, Inc.**, Irvine, CA (US)

(\*\*) Term: **15 Years**

(21) Appl. No.: **29/635,841**

(22) Filed: **Feb. 2, 2018**

(51) **LOC (11) Cl.** ..... **10-05**

(52) **U.S. Cl.**

USPC ..... **D10/118**

(58) **Field of Classification Search**

USPC ..... D10/49, 50, 51, 52, 104.1, 104.2, 105, D10/106.1, 106.2, 106.3, 106.4, 106.5, D10/106.6, 106.7, 106.8, 106.9, 107, 108, D10/109.1, 109.2, 110, 111, 112, 113.1, D10/113.2, 113.3, 113.4, 114.2, 114.3, D10/114.4, 114.5, 114.8, 114.9, 116.1, D10/120, 121, 122, 123, 124, 126, 46.1; D21/405, 722, 812, 396, 385; D23/213, D23/250; D28/82; D19/95, 96, 100; 340/539.12, 392.1, 384.7, 326, 539.14; 473/505, 510, 514; D14/159, 358; D25/147, 103; D16/202, 203, 208, 209, D16/215; D13/158, 169, 171, 174; D26/72, 85, 88, 26, 24, 113, 118, 119, D26/120; D8/350, 343, 305, 353; 200/310; 455/41.2

CPC ..... H01H 13/00; H01H 13/023; H01H 13/14; H01H 13/56; F21S 8/035; F21V 23/06; F21V 23/0442; F21W 2121/00; H01R 2103/00

See application file for complete search history.

(56) **References Cited**

U.S. PATENT DOCUMENTS

D179,803 S 3/1957 Gillette  
D225,379 S 12/1972 Gallagher  
D283,130 S 3/1986 Boenning  
D297,222 S 8/1988 Rauch

(Continued)

OTHER PUBLICATIONS

Available Jan. 24, 2019, [online], [site visited Jan. 24, 2019]. Available from Internet, <URL:https://www.wantitall.co.za/tools/wireless-doorbell-govee-ip66-waterproof-door-bell-chime-kit-with-led-flash-1-push-button-and-1-firep\_b07f1lzmsj> (Year: 2019).\*

(Continued)

*Primary Examiner* — Cathron C Brooks

*Assistant Examiner* — Katrina N Gonzalez

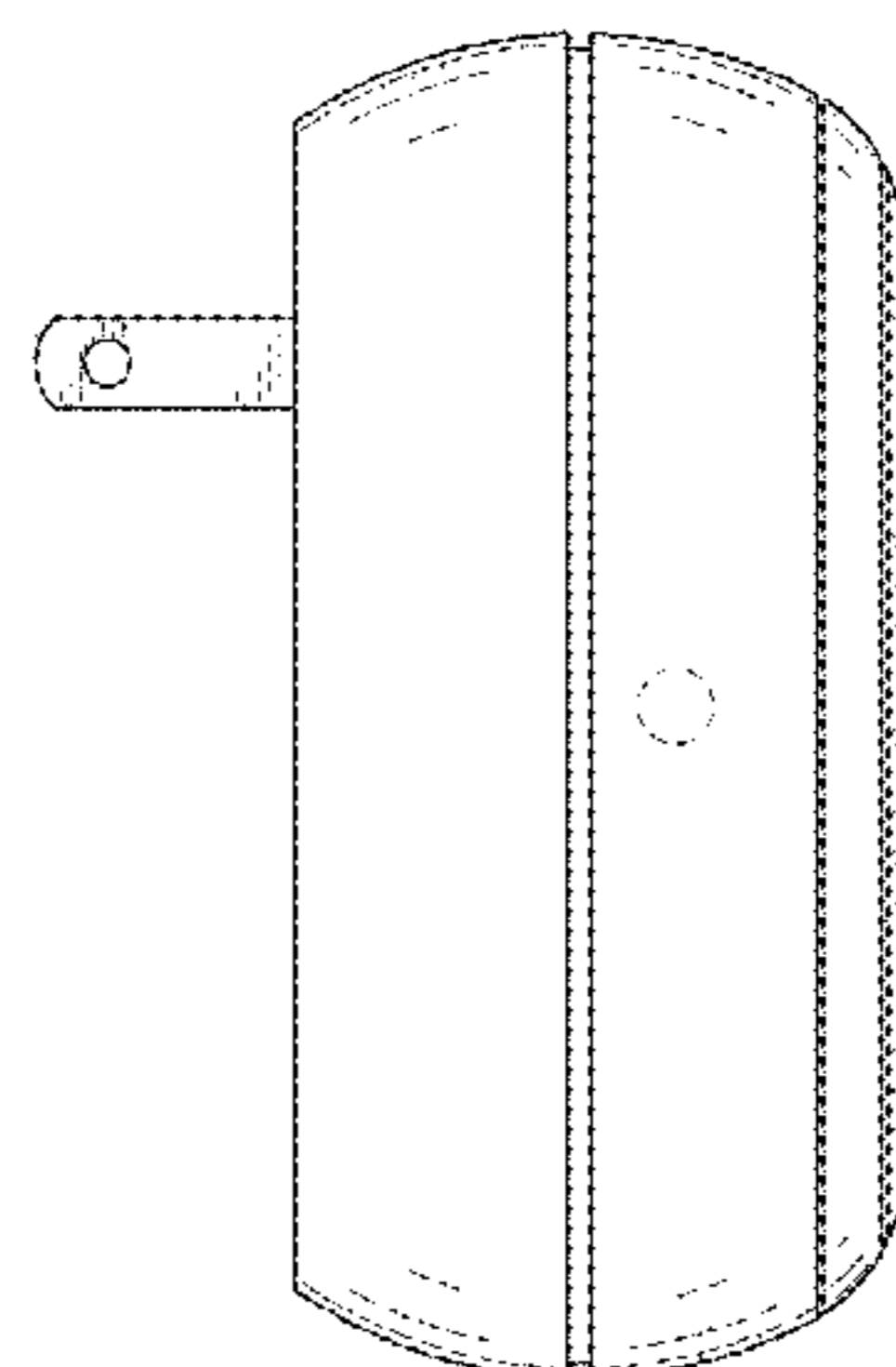
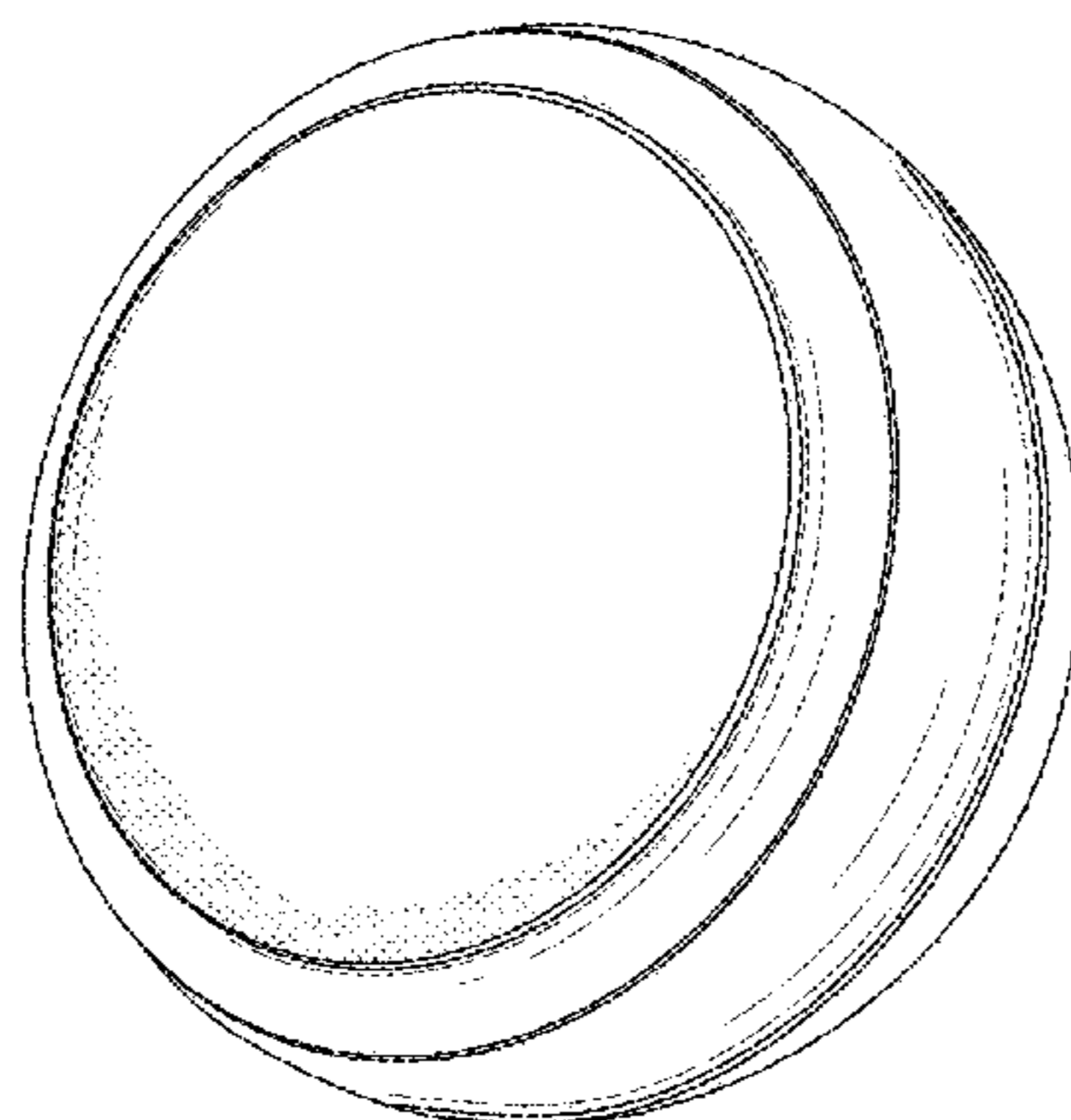
(57) **CLAIM**

The ornamental design for a chime, as shown and described.

**DESCRIPTION**

FIG. 1 is a front and first side perspective view of a chime embodying the new design; FIG. 2 is a front and second side perspective view thereof; FIG. 3 is a front view thereof; FIG. 4 is a back view thereof; FIG. 5 is a second side view thereof; FIG. 6 is a first side view thereof; FIG. 7 is a top view thereof; and, FIG. 8 is a bottom view thereof. The broken lines depict portions of a chime in which the design is embodied and form no part of the claimed design.

**1 Claim, 4 Drawing Sheets**



(56)

References Cited

U.S. PATENT DOCUMENTS

5,127,244 A 7/1992 Myers  
 D344,036 S 2/1994 Yuen  
 5,345,794 A 9/1994 Jenks  
 D371,086 S 6/1996 Collins  
 D381,638 S 7/1997 Kruse  
 5,671,624 A 9/1997 Sivils  
 D392,987 S 3/1998 Sakata  
 D392,576 S 5/1998 Pun  
 D395,814 S 7/1998 Yang  
 D404,673 S 1/1999 Gordon  
 D418,770 S 1/2000 Ragan  
 6,016,677 A 1/2000 Clark  
 D422,521 S 4/2000 Morrow  
 D422,893 S 4/2000 Heredos-Formby  
 D425,221 S \* 5/2000 Burns ..... D26/26  
 D435,576 S 12/2000 McBride  
 D435,577 S 12/2000 McBride  
 D441,346 S \* 5/2001 Bonn ..... D13/174  
 D442,617 S 5/2001 Ohmori  
 D455,767 S 4/2002 Tsang  
 D455,768 S 4/2002 Tsang  
 D465,532 S 11/2002 Hussaini  
 D479,720 S 9/2003 Ohashi  
 D480,741 S 10/2003 Berger  
 D487,939 S 3/2004 Smith  
 D489,323 S 5/2004 Yoshida  
 D494,287 S 8/2004 Matsui  
 6,812,970 B1 11/2004 McBride  
 D500,751 S 1/2005 Yukikado  
 D506,404 S \* 6/2005 Kaczmarek ..... D10/104.1  
 D506,693 S \* 6/2005 Kaczmarek ..... D10/104.1  
 D509,842 S 9/2005 Ou  
 7,015,943 B2 3/2006 Chiang  
 D519,100 S 4/2006 Shioya  
 D522,490 S 6/2006 Yukikado  
 D525,963 S 8/2006 Yukikado  
 7,113,578 B2 9/2006 Unger  
 D530,231 S \* 10/2006 Kawabata ..... D10/50  
 D531,160 S 10/2006 Yukikado  
 D534,566 S 1/2007 Ishii  
 D537,095 S 2/2007 Alden  
 D562,306 S 2/2008 Jeong  
 D574,742 S 8/2008 Spencer  
 D575,316 S 8/2008 Liu  
 D577,301 S 9/2008 Johnson  
 D588,574 S 3/2009 Takahata  
 D592,231 S 5/2009 Schnell  
 D594,311 S 6/2009 Stevens  
 D595,260 S 6/2009 Takahata  
 D605,542 S 12/2009 Ho  
 D619,157 S 7/2010 Kim  
 D633,921 S 3/2011 Brinda  
 D634,181 S 3/2011 Kang  
 D636,286 S 4/2011 Khor  
 D638,853 S 5/2011 Brinda  
 D640,756 S \* 6/2011 Busse ..... D21/390  
 D645,005 S \* 9/2011 Menheere ..... D13/171  
 D645,071 S 9/2011 Hinkel  
 D646,801 S 10/2011 Chou  
 D647,946 S 11/2011 Raken  
 D657,410 S 4/2012 Helaooui  
 D659,197 S \* 5/2012 Stone ..... D21/443  
 D660,819 S 5/2012 Chen  
 D664,178 S 7/2012 Hinkel  
 D664,554 S 7/2012 Nenoki  
 D666,995 S 9/2012 Termeer  
 8,334,656 B2 12/2012 Weiss  
 D677,297 S 3/2013 Bart  
 D679,309 S 4/2013 Park  
 D680,015 S \* 4/2013 Hauser ..... D10/106.9  
 D682,658 S 5/2013 Cramer  
 D687,446 S 8/2013 Arnold  
 D687,841 S 8/2013 Arnold  
 D689,220 S 9/2013 Zhang  
 D689,536 S 9/2013 Li

D689,828 S \* 9/2013 Pierson ..... D13/174  
 D692,847 S 11/2013 Barley  
 D693,839 S 11/2013 Hally  
 D694,305 S 11/2013 Katori  
 D694,306 S 11/2013 Katori  
 D701,521 S 3/2014 Kim  
 D705,246 S 5/2014 Ranz  
 D705,794 S 5/2014 Ranz  
 D707,697 S 6/2014 Ranz  
 D709,754 S 7/2014 Lylyk  
 8,780,201 B1 7/2014 Skybell  
 D710,377 S 8/2014 Rydenhag  
 D710,676 S 8/2014 Kiechel  
 D710,727 S 8/2014 Siminoff  
 D710,728 S 8/2014 Siminoff  
 D711,275 S 8/2014 Skybell  
 D711,903 S 8/2014 Mishra  
 8,823,795 B1 9/2014 Skybell  
 8,834,044 B2 9/2014 Uehara  
 8,842,180 B1 9/2014 Skybell  
 8,872,915 B1 10/2014 Skybell  
 D719,205 S 12/2014 Matsumoto  
 D719,994 S 12/2014 Wang  
 D720,363 S 12/2014 Ranz  
 D720,764 S 1/2015 Lee  
 D721,755 S 1/2015 Åhman  
 8,937,659 B1 1/2015 Skybell  
 8,941,736 B1 1/2015 Skybell  
 D722,318 S 2/2015 Moore  
 D722,319 S 2/2015 Moore  
 D722,611 S 2/2015 Moore  
 D722,709 S 2/2015 Bosua  
 8,947,530 B1 2/2015 Skybell  
 8,953,040 B1 2/2015 Skybell  
 D725,670 S 3/2015 Zhang  
 D727,769 S 4/2015 Skybell  
 D727,989 S 4/2015 Hasuda  
 9,013,575 B2 4/2015 Skybell  
 D728,601 S 5/2015 Angelides  
 D728,655 S 5/2015 Daniel  
 D729,179 S \* 5/2015 Cheung ..... D13/171  
 D729,678 S 5/2015 Skybell  
 D729,859 S 5/2015 Shin  
 D732,547 S 6/2015 McClelland  
 9,049,352 B2 6/2015 Skybell  
 9,055,202 B1 6/2015 Skybell  
 9,058,738 B1 6/2015 Skybell  
 9,060,103 B2 6/2015 Skybell  
 9,060,104 B2 6/2015 Skybell  
 9,065,987 B2 6/2015 Skybell  
 D733,780 S 7/2015 Chen  
 D734,801 S 7/2015 Yang  
 9,094,584 B2 7/2015 Skybell  
 D736,294 S 8/2015 Skybell  
 D737,283 S 8/2015 Skybell  
 9,113,051 B1 8/2015 Skybell  
 9,113,052 B1 8/2015 Skybell  
 9,118,819 B1 8/2015 Skybell  
 D739,942 S \* 9/2015 Pernu ..... D24/167  
 9,142,214 B2 9/2015 Skybell  
 9,143,343 B2 9/2015 Kim  
 D740,873 S 10/2015 Skybell  
 D741,866 S 10/2015 Ballout  
 9,160,987 B1 10/2015 Skybell  
 9,165,444 B2 10/2015 Skybell  
 9,172,920 B1 10/2015 Kskybell  
 9,172,921 B1 10/2015 Skybell  
 9,172,922 B1 10/2015 Skybell  
 D743,415 S 11/2015 Pfriem  
 9,179,107 B1 11/2015 Skybell  
 9,179,108 B1 11/2015 Skybell  
 9,179,109 B1 11/2015 Skybell  
 9,196,133 B2 11/2015 Skybell  
 9,197,867 B1 11/2015 Skybell  
 D745,050 S 12/2015 Kwon  
 D745,080 S 12/2015 Masano  
 D745,546 S 12/2015 Johnson  
 D747,640 S 1/2016 Scalisi  
 D747,755 S \* 1/2016 Scalisi ..... D16/203

(56)

References Cited

U.S. PATENT DOCUMENTS

D747,756 S \* 1/2016 Scalisi ..... D16/203  
 9,237,318 B2 1/2016 Kasmir  
 9,243,455 B2 1/2016 Harrison  
 9,247,219 B2 1/2016 Kasmir  
 D750,112 S 2/2016 Kim  
 D751,446 S 3/2016 Lin  
 D752,076 S 3/2016 Guesnon, Jr.  
 D753,664 S 4/2016 McLelland  
 D756,828 S \* 5/2016 Wettre ..... D10/106.5  
 D757,587 S \* 5/2016 Li ..... D10/106.6  
 9,342,936 B2 5/2016 Scalisi  
 D764,958 S 8/2016 Scalisi  
 D765,530 S 9/2016 Scalisi  
 D778,195 S 2/2017 Li  
 9,584,775 B2 2/2017 Siminoff  
 D795,728 S \* 8/2017 Parker ..... D10/118.2  
 D800,077 S \* 10/2017 Windstrup ..... D13/162.1  
 D808,912 S \* 1/2018 Dimberg ..... D13/174  
 D810,970 S \* 2/2018 Thompson ..... D26/26  
 D813,212 S \* 3/2018 Nangeroni ..... D14/240  
 D825,539 S \* 8/2018 Lu ..... D14/240  
 10,041,639 B1 \* 8/2018 Thompson ..... F21S 8/035  
 D830,870 S \* 10/2018 Shepher ..... D10/116.1  
 D837,168 S \* 1/2019 Altonen ..... D13/174  
 D837,169 S \* 1/2019 Altonen ..... D13/174  
 D838,305 S \* 1/2019 Chang ..... D16/203  
 2004/0124978 A1 7/2004 Chen  
 2007/0067798 A1 3/2007 Wroblewski  
 2008/0036862 A1 2/2008 Lang  
 2011/0156566 A1 6/2011 Chen  
 2013/0045763 A1 2/2013 Ruiz  
 2014/0125754 A1 5/2014 Haywood  
 2014/0157329 A1 6/2014 Roberts  
 2015/0022618 A1 1/2015 Siminoff  
 2015/0049191 A1 2/2015 Skybell  
 2015/0082172 A1 3/2015 Shakib

2015/0319411 A1 11/2015 Kasmir  
 2015/0341603 A1 11/2015 Kasmir  
 2015/0358515 A1 12/2015 Resnick  
 2016/0044287 A1 2/2016 Scalisi  
 2016/0070432 A1 3/2016 Caporal

OTHER PUBLICATIONS

Available Jan. 24, 2019, [online], [site visited Jan. 24, 2019]. Available from Internet, <URL:https://www.wantitall.co.za/tools/coolqiya-wireless-remote-doorbells-chime-with-1-door-button-and-1-plug-in-receiver-no-battery-require\_b07l3vnc3n> (Year: 2019).\*

Available Oct. 30, 2017, [online], [site visited Jan. 24, 2019]. Available from Internet, <URL:https://www.chewy.com/mighty-paw-smart-bell-20-potty/dp/162573> (Year: 2017).\*

Available Mar. 27, 2017, [online], [site visited Jan. 24, 2019]. Available from Internet, <URL:https://www.amazon.com/Self-Powered-Wireless-Doorbell-Kit/dp/B06XWBMH4G/ref=sr\_1\_359?s=lamps-light&ie=UTF8&qid=1548376997&sr=1-359&keywords=doorbell+chime> (Year: 2017).\*

Available Aug. 13, 2018, [online], [site visited Jan. 24, 2019]. Available from Internet, <URL:https://www.amazon.com/Bedroom-Bathroom-Kitchen-Daylight-M1801/dp/B07GDPFLM3/ref=sr\_1\_28?ie=UTF8&qid=1548377192&sr=8-28&keywords=round+night+light> (Year: 2018).\*

MySkyBell.com (later SkyBell.com)—Downloaded on Nov. 18, 2013 from http://www.myskybell.com.

DefenDoor by Glate LLC—Downloaded on Dec. 11, 2014 from https://www.kickstarter.com/projects/85455040/defendoor-a-home-security-system-that-syncs-with-y.

EyeTalk—Downloaded on May 24, 2013 from http://www.revolutionaryconceptsinc.com/forhome.html.

August Smart Lock—Downloaded on Oct. 10, 2014 from www.August.com.

\* cited by examiner

FIG. 2

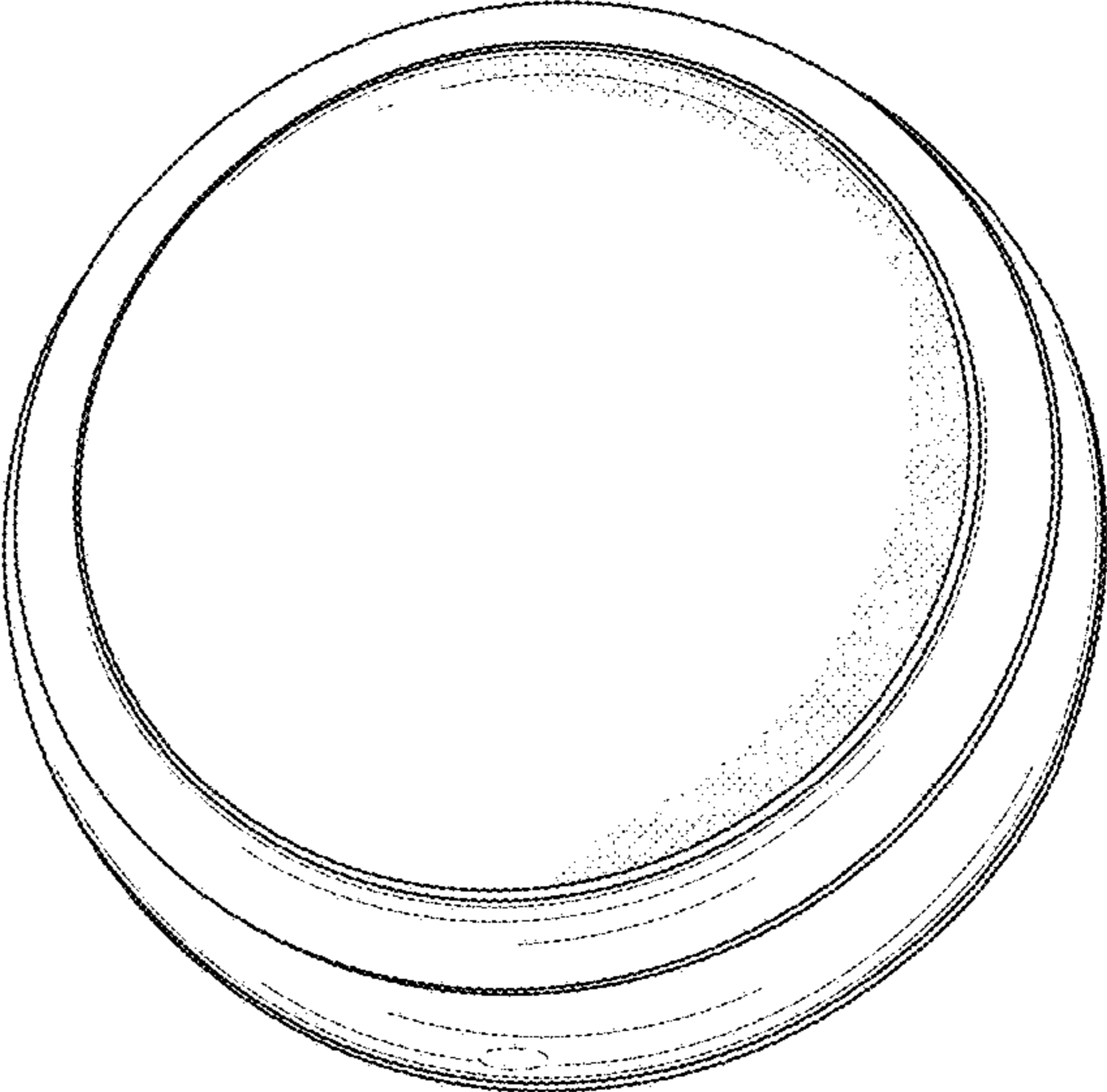
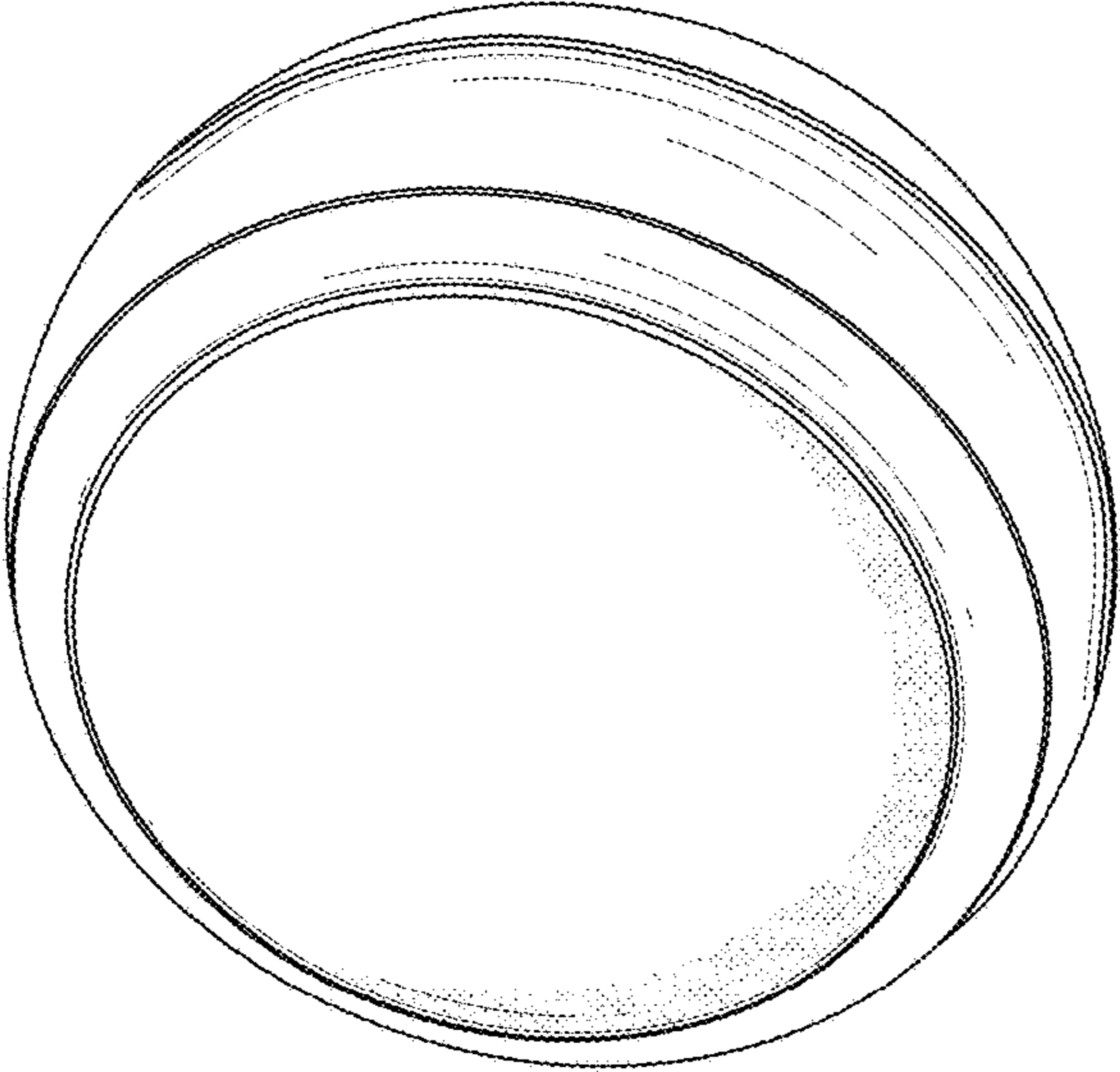


FIG. 1



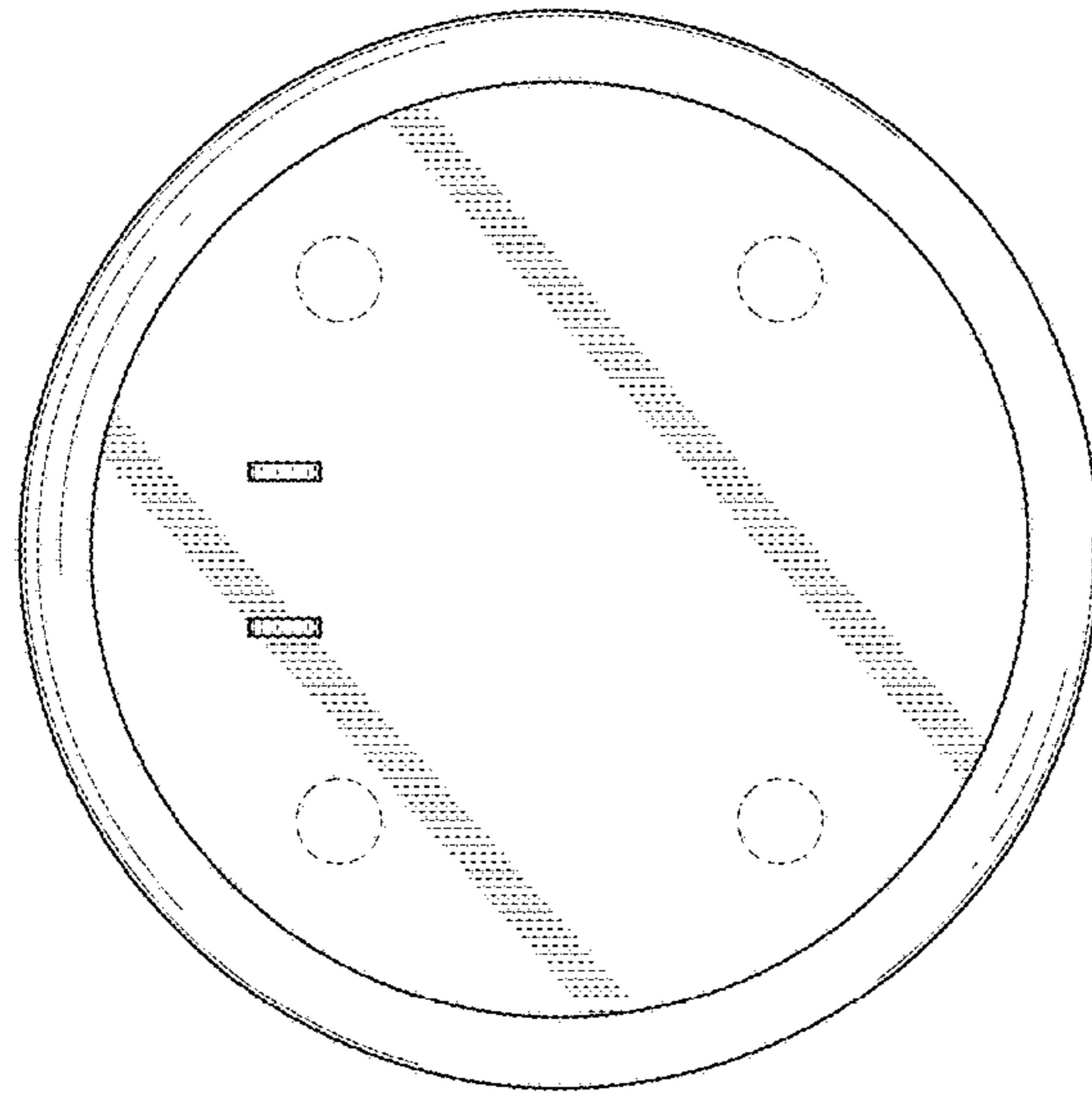


FIG. 4

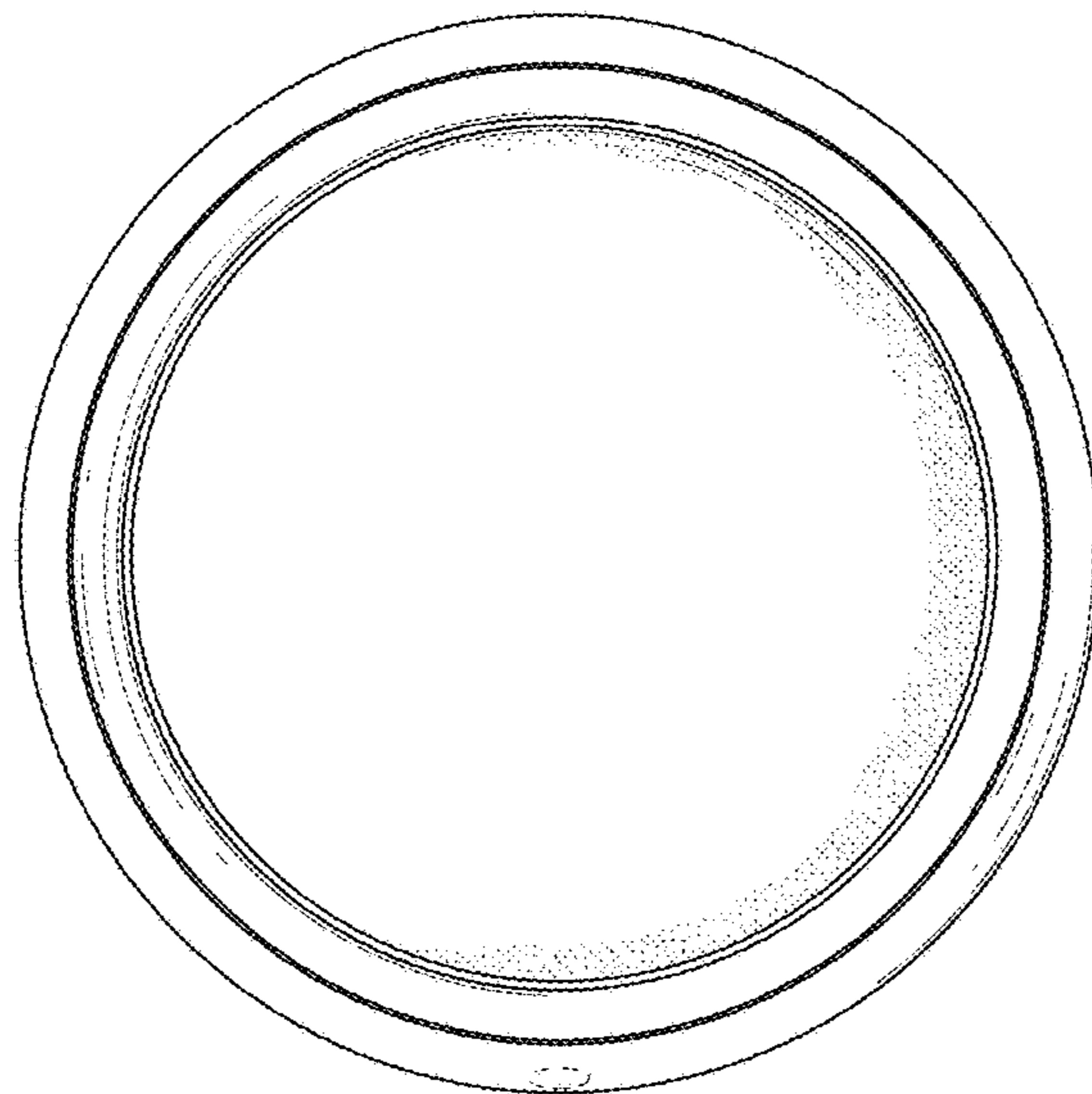


FIG. 3

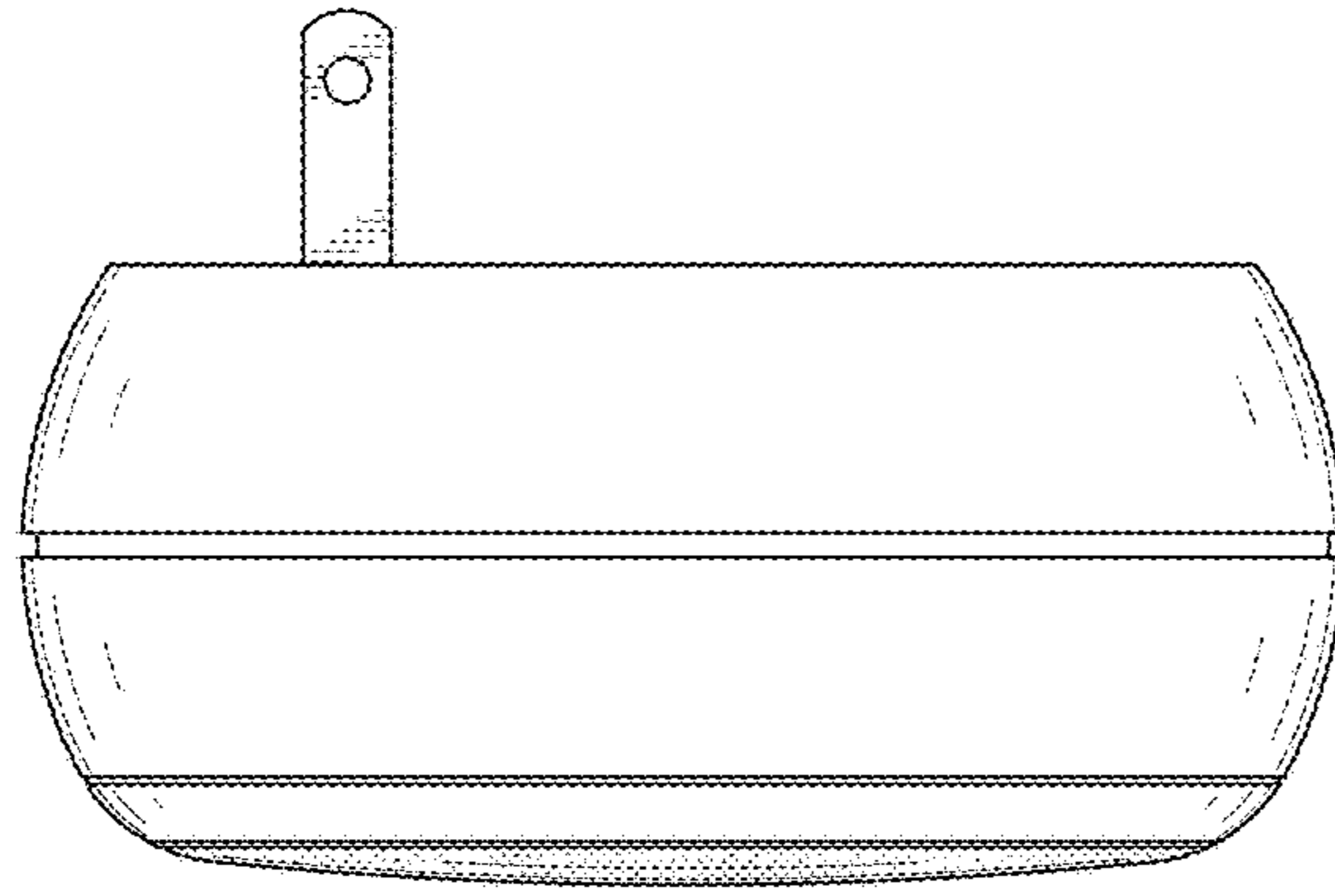


FIG. 6

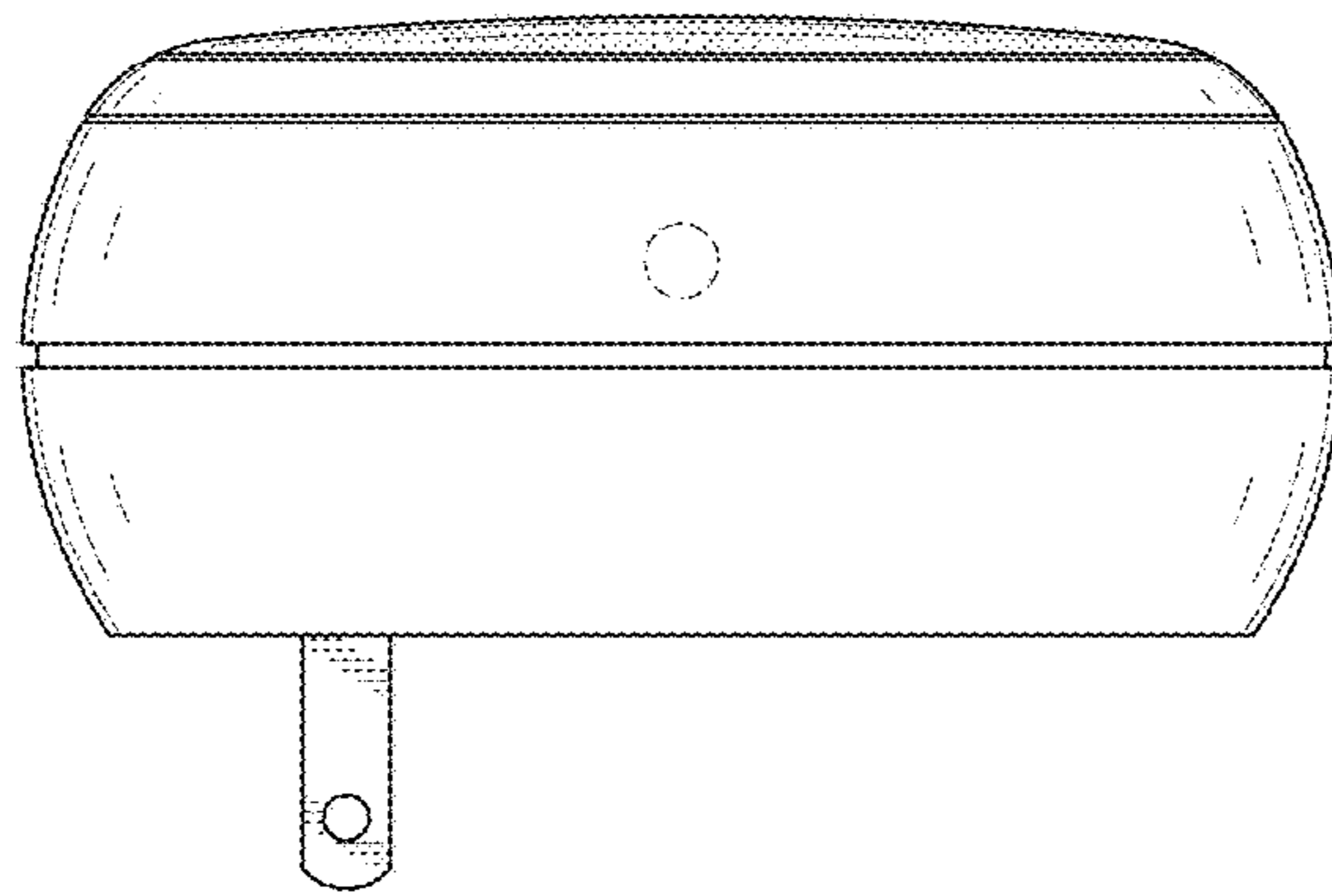


FIG. 5

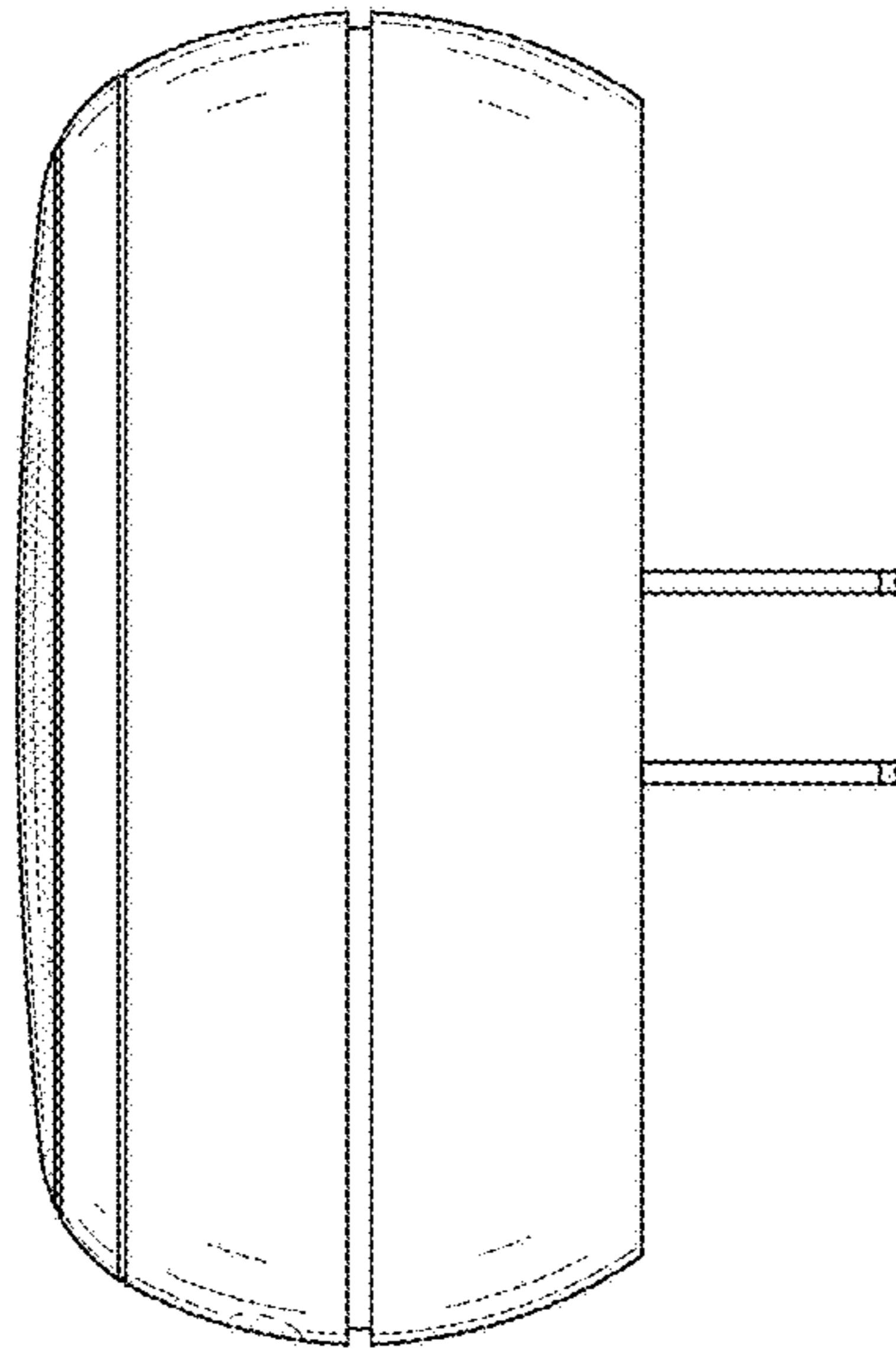


FIG. 8

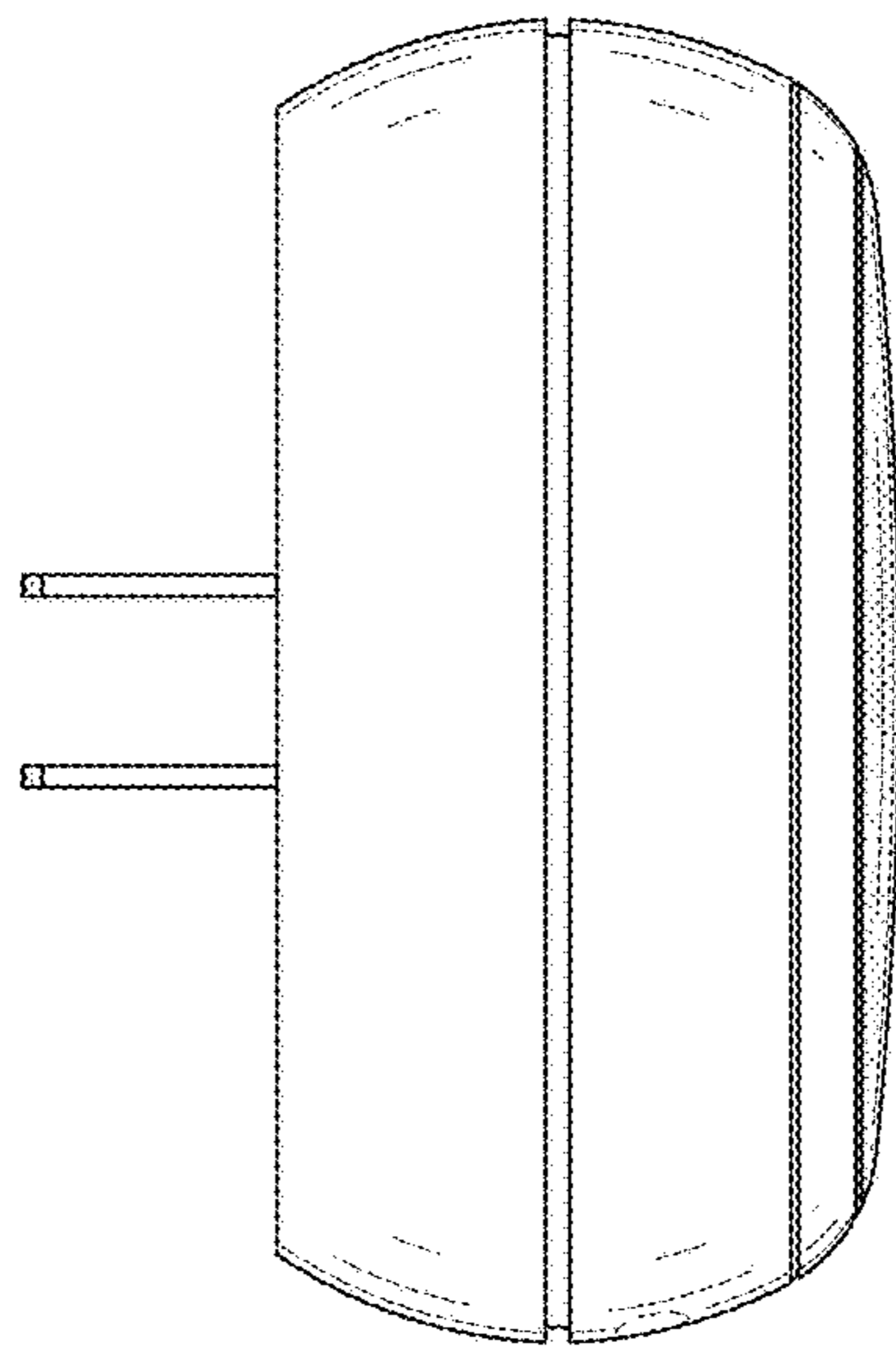


FIG. 7