



US00D852076S

(12) **United States Design Patent**
Bob

(10) **Patent No.:** **US D852,076 S**
(45) **Date of Patent:** **** Jun. 25, 2019**

(54) **TESTING APPARATUS**

(71) Applicant: **ZELTWANGER Holding GmbH**,
Tübingen (DE)

(72) Inventor: **Felix Bob**, Dusslingen (DE)

(73) Assignee: **ZELTWANGER Holding GmbH**,
Tübingen (DE)

(**) Term: **15 Years**

(21) Appl. No.: **29/625,571**

(22) Filed: **Nov. 10, 2017**

(30) **Foreign Application Priority Data**

May 11, 2017 (EM) 00399491-0001
May 11, 2017 (EM) 003994912-0002

(51) **LOC (11) Cl.** **10-04**

(52) **U.S. Cl.**
USPC **D10/101; D10/85; D10/96**

(58) **Field of Classification Search**
USPC D10/46, 85, 96, 101
CPC G01M 3/3236; G01M 3/3209
See application file for complete search history.

(56) **References Cited**

U.S. PATENT DOCUMENTS

D254,806 S * 4/1980 Kitai D10/85

* cited by examiner

Primary Examiner — Antoine Duval Davis

(74) *Attorney, Agent, or Firm* — Arent Fox LLP

(57) **CLAIM**

The ornamental design for a testing apparatus, as shown and described.

DESCRIPTION

FIG. 1 is a front perspective view of a first embodiment of a testing apparatus showing my new design;
FIG. 2 is a front view of the testing apparatus shown in FIG. 1;
FIG. 3 is a right side view of the testing apparatus shown in FIG. 1;
FIG. 4 is a top plan view of the testing apparatus shown in FIG. 1;
FIG. 5 is a rear perspective view of the testing apparatus shown in FIG. 1;
FIG. 6 is a front perspective view of a second embodiment of a testing apparatus showing my new design;
FIG. 7 is a front view of the testing apparatus shown in FIG. 6;
FIG. 8 is a right side view of the testing apparatus shown in FIG. 6;
FIG. 9 is a top plan view of the testing apparatus shown in FIG. 6; and,
FIG. 10 is a rear perspective view of the testing apparatus shown in FIG. 6.
The bottom view of the testing apparatus of FIGS. 1 and 6 is omitted as it is not part of the claimed design.

1 Claim, 10 Drawing Sheets

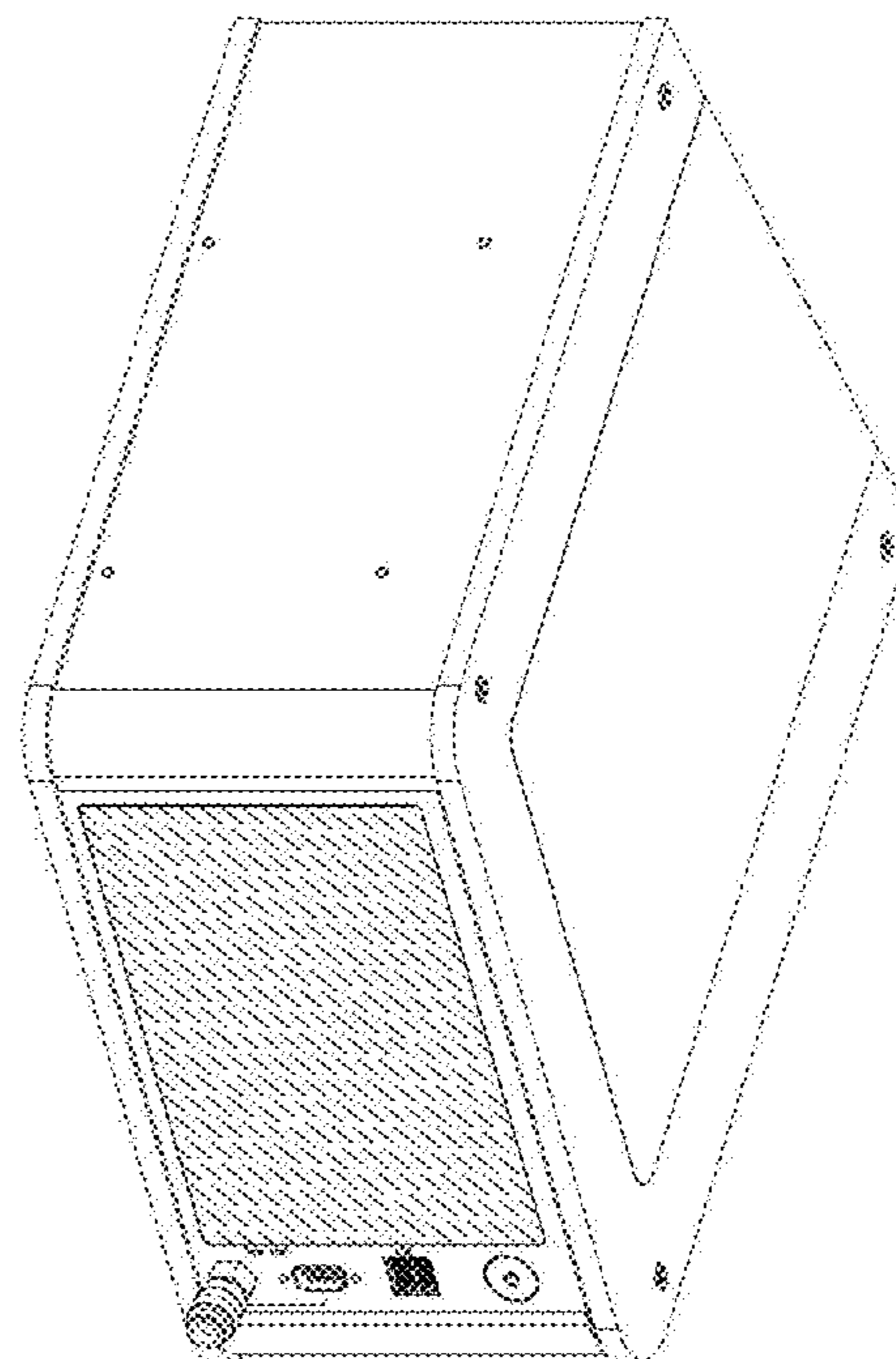
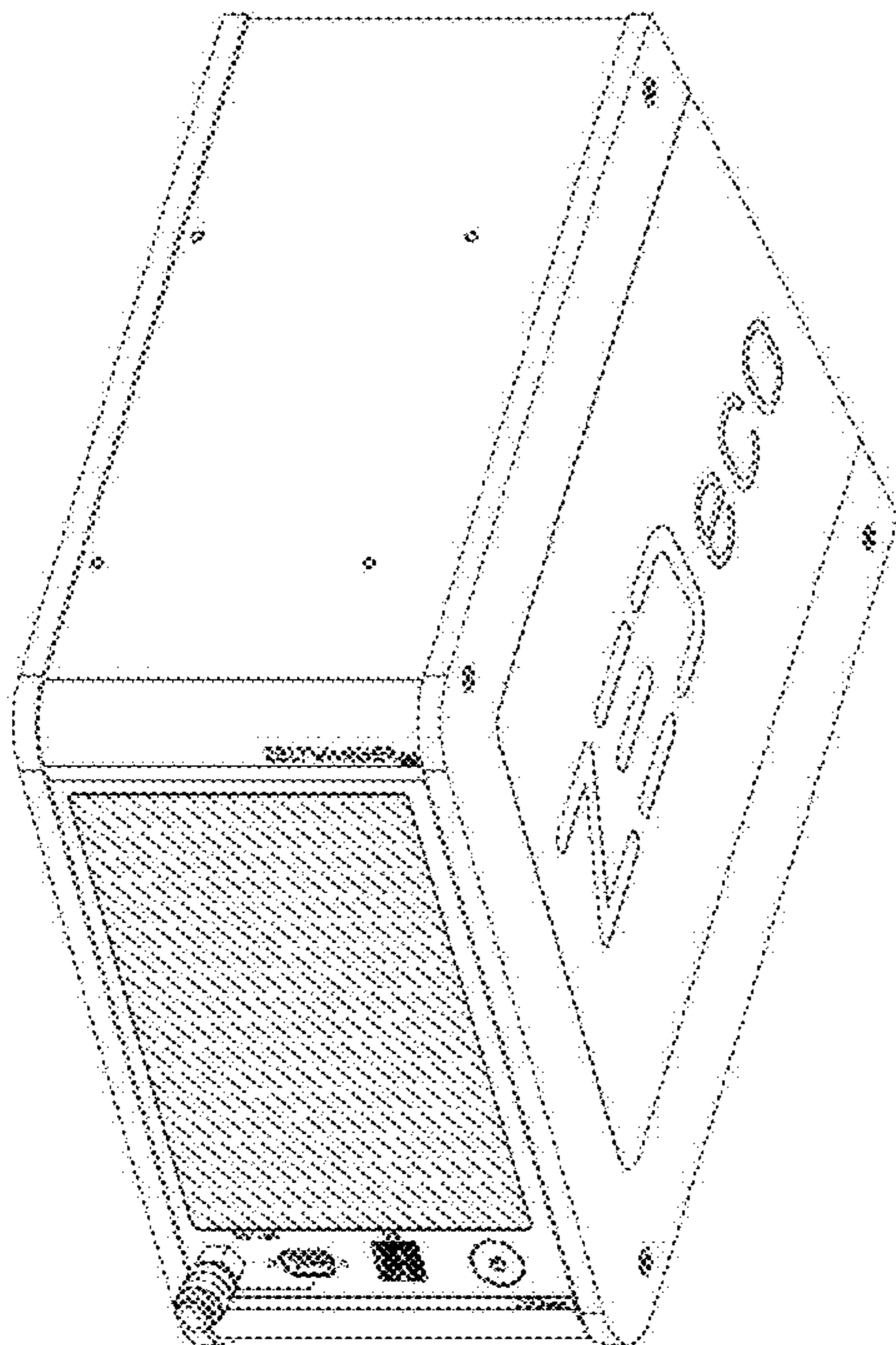


FIG. 1

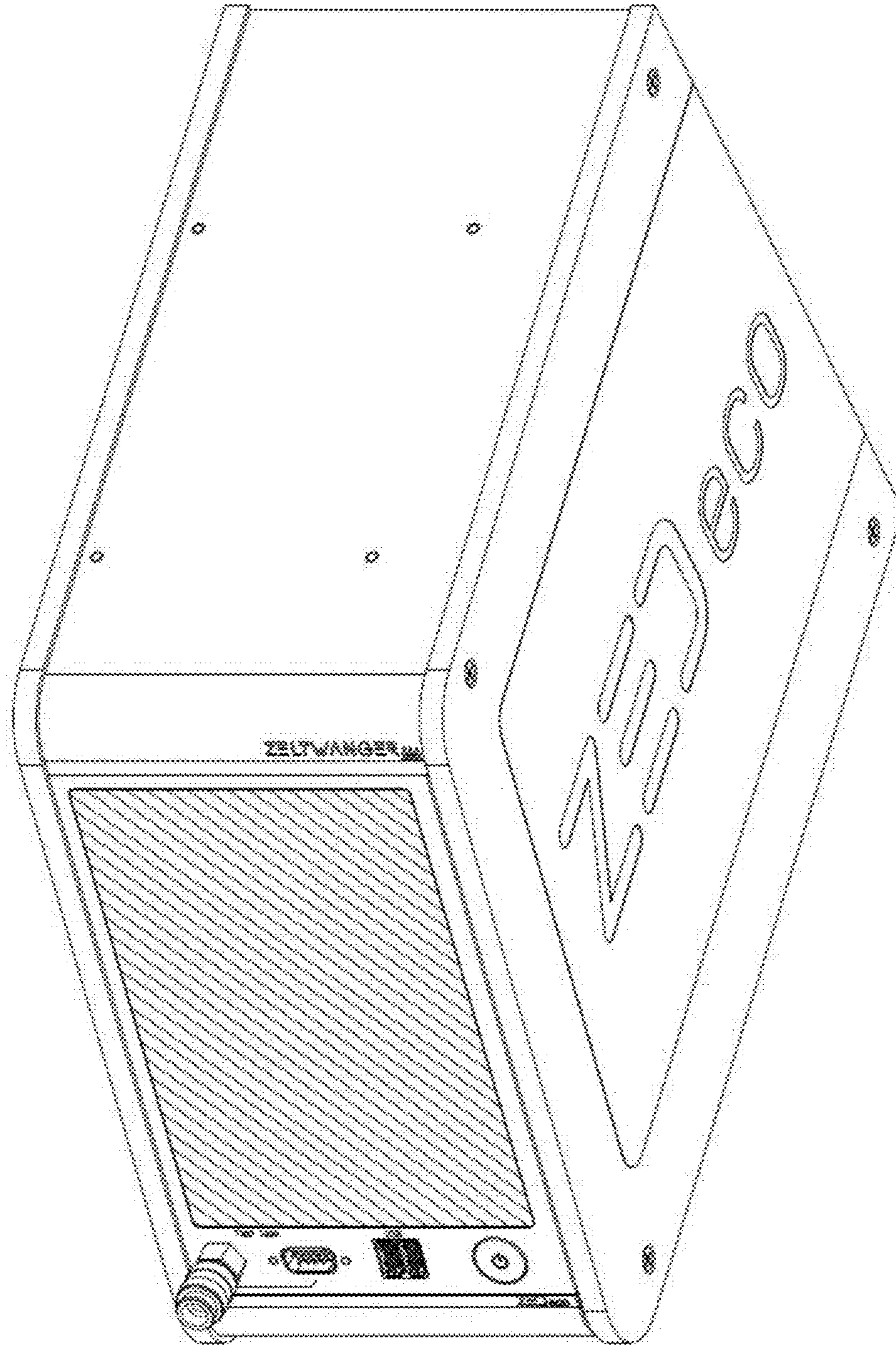


FIG. 2

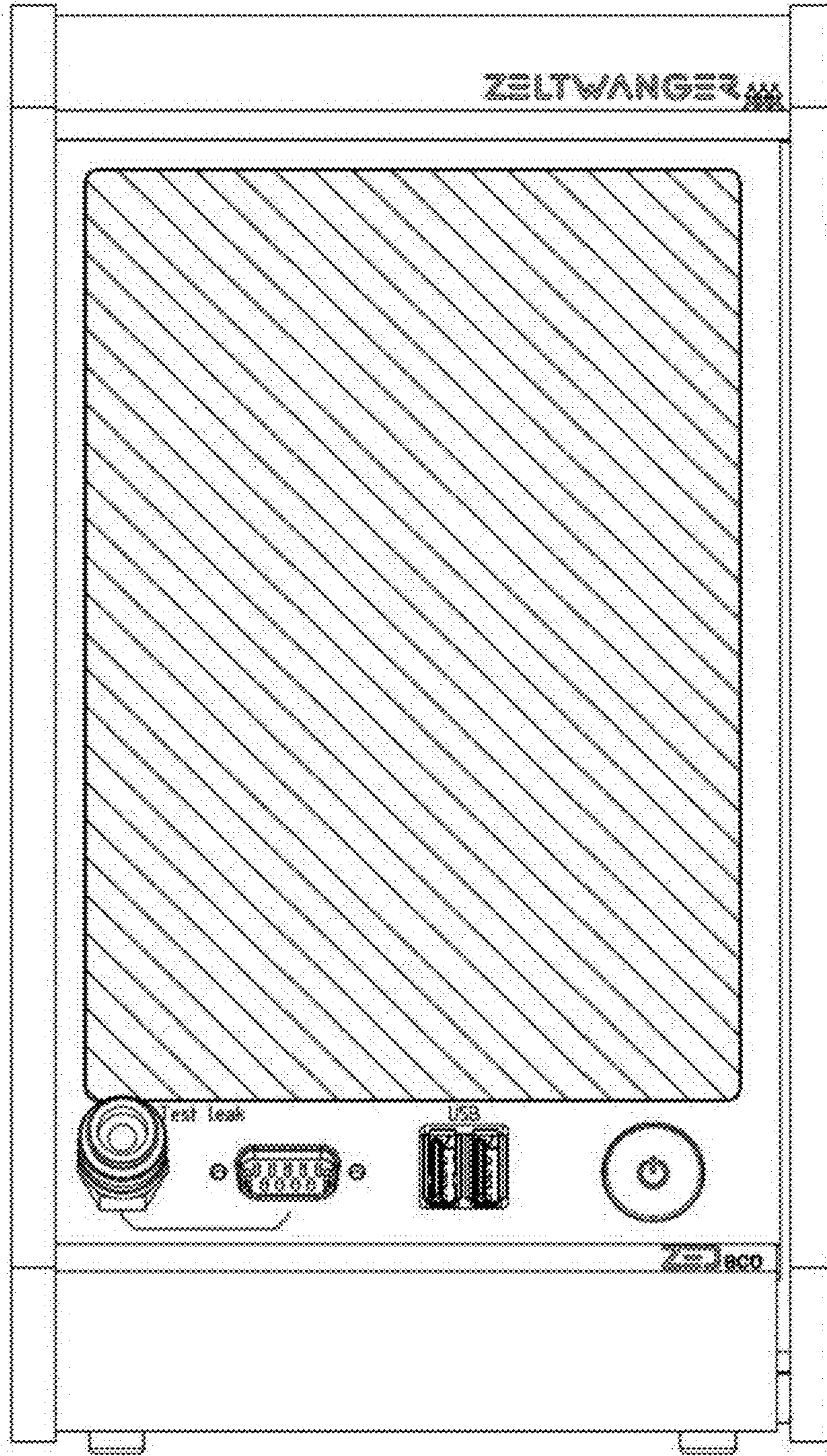


FIG. 3

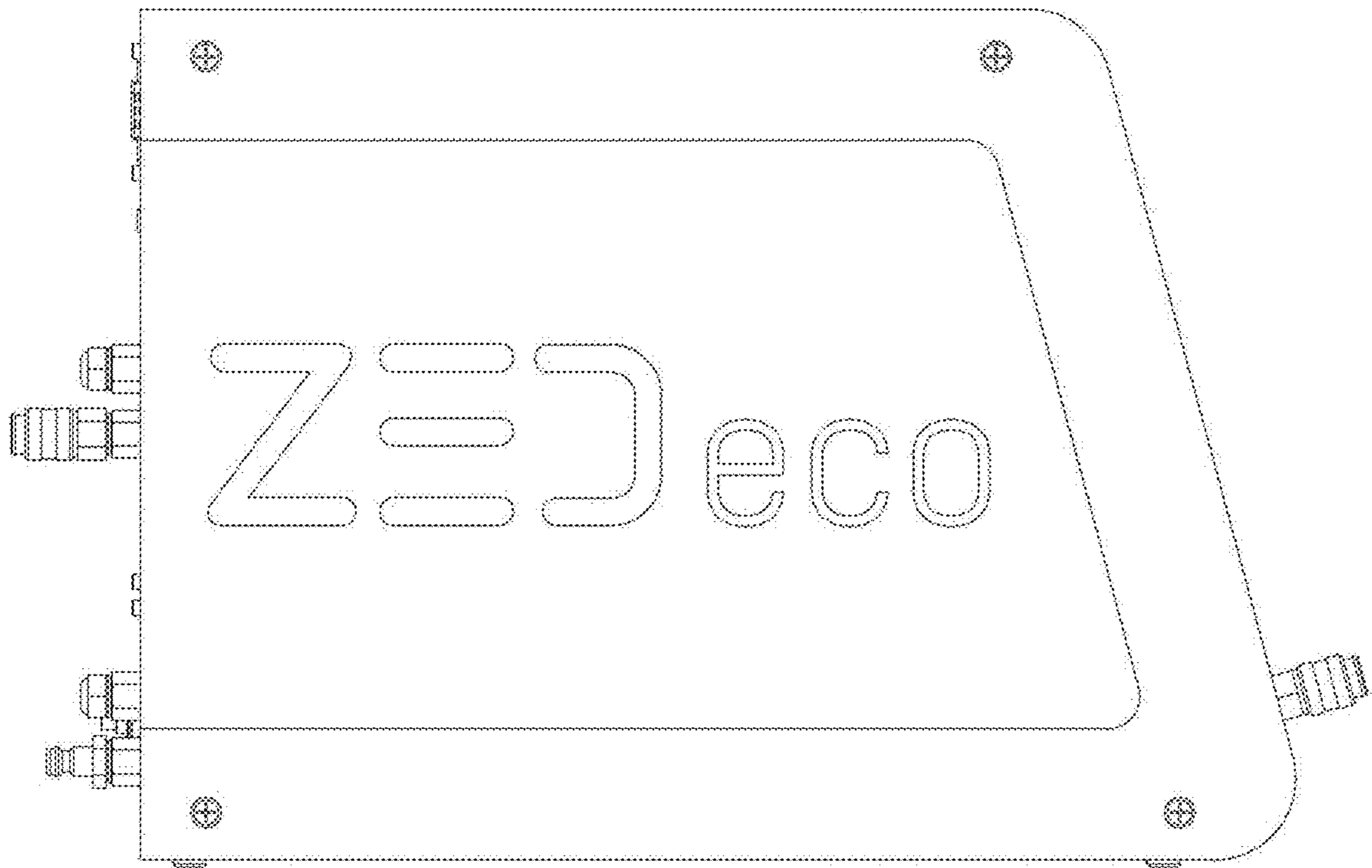


FIG. 4

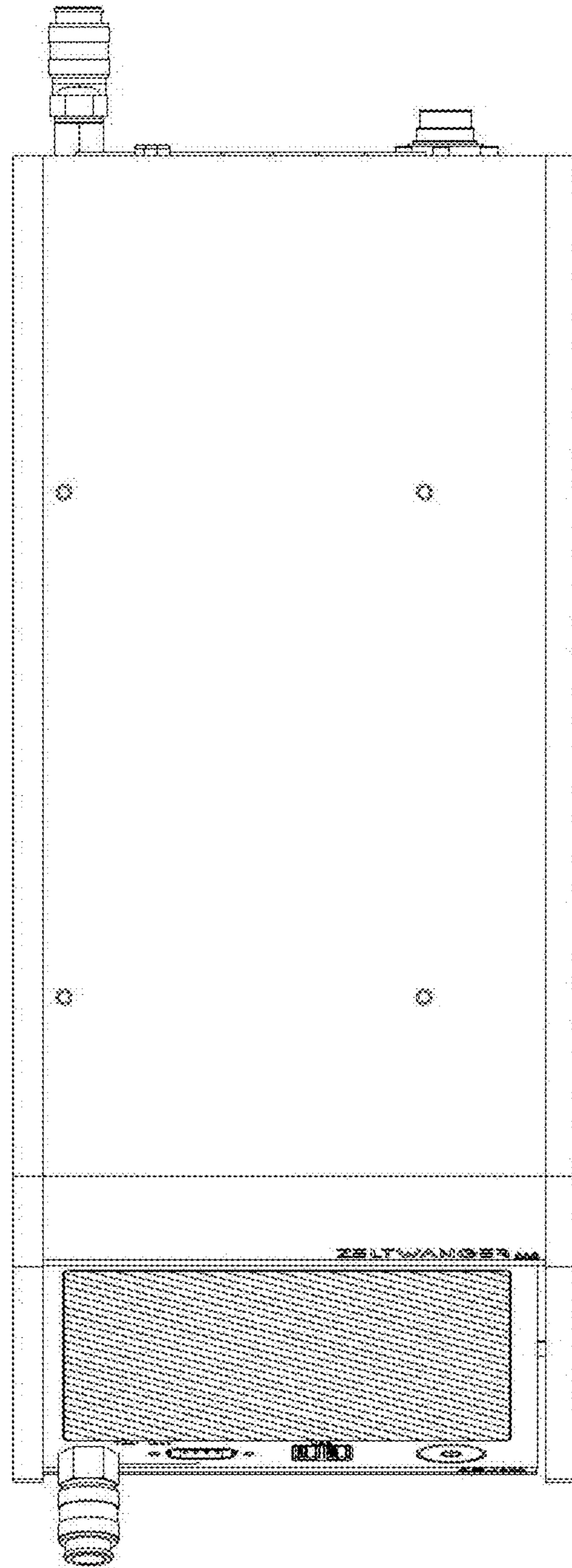


FIG. 5

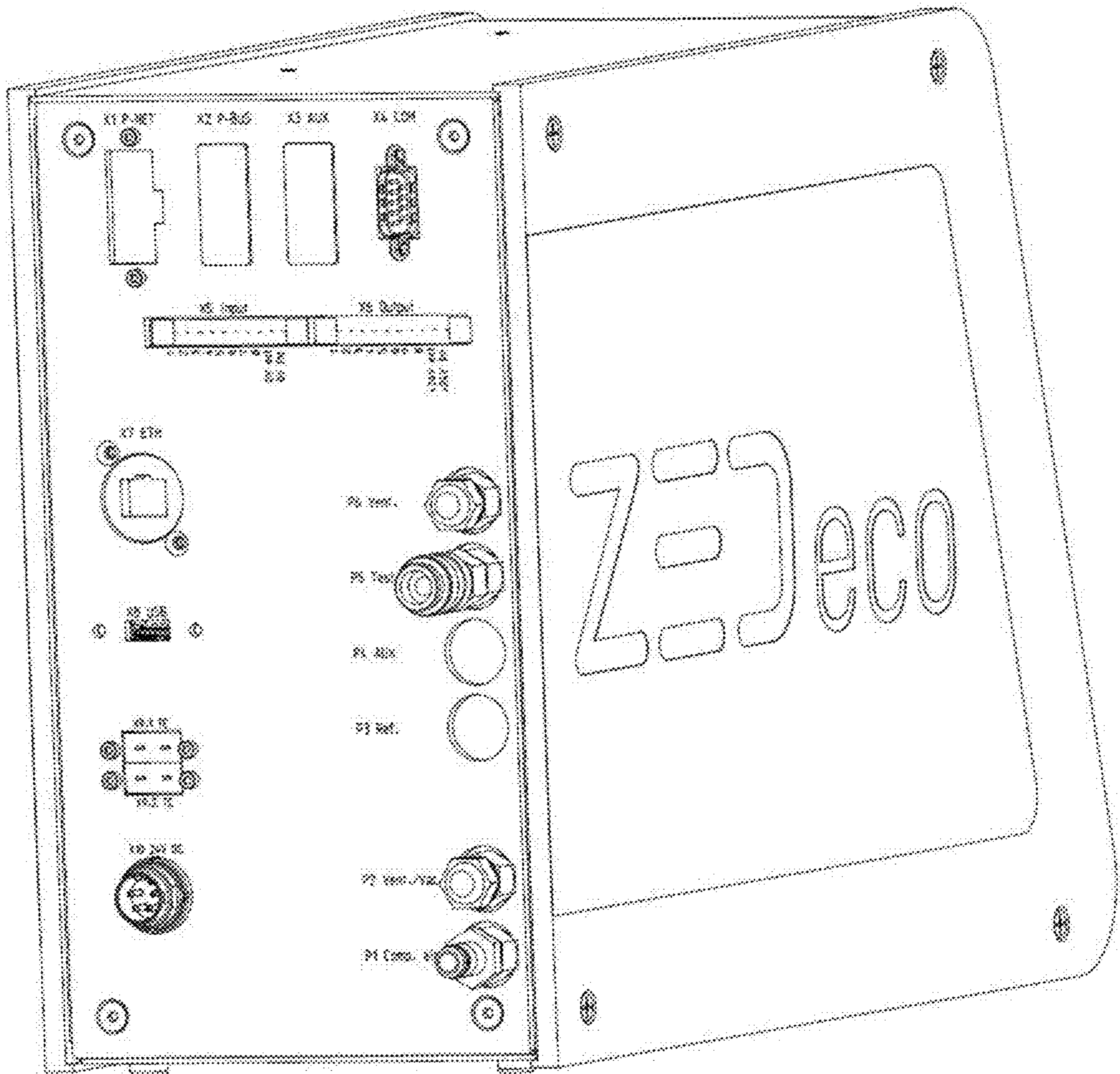


FIG. 6

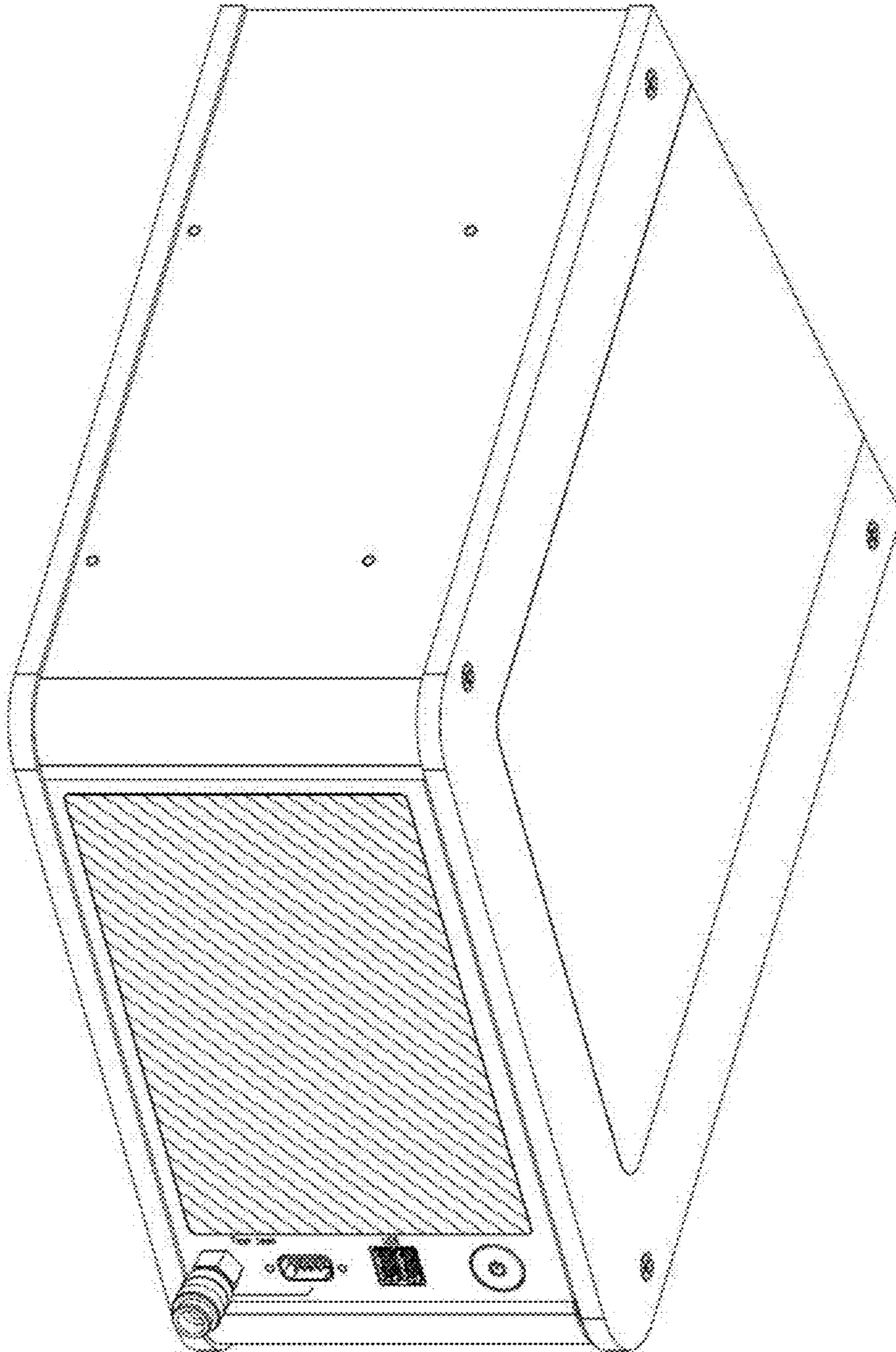


FIG. 7

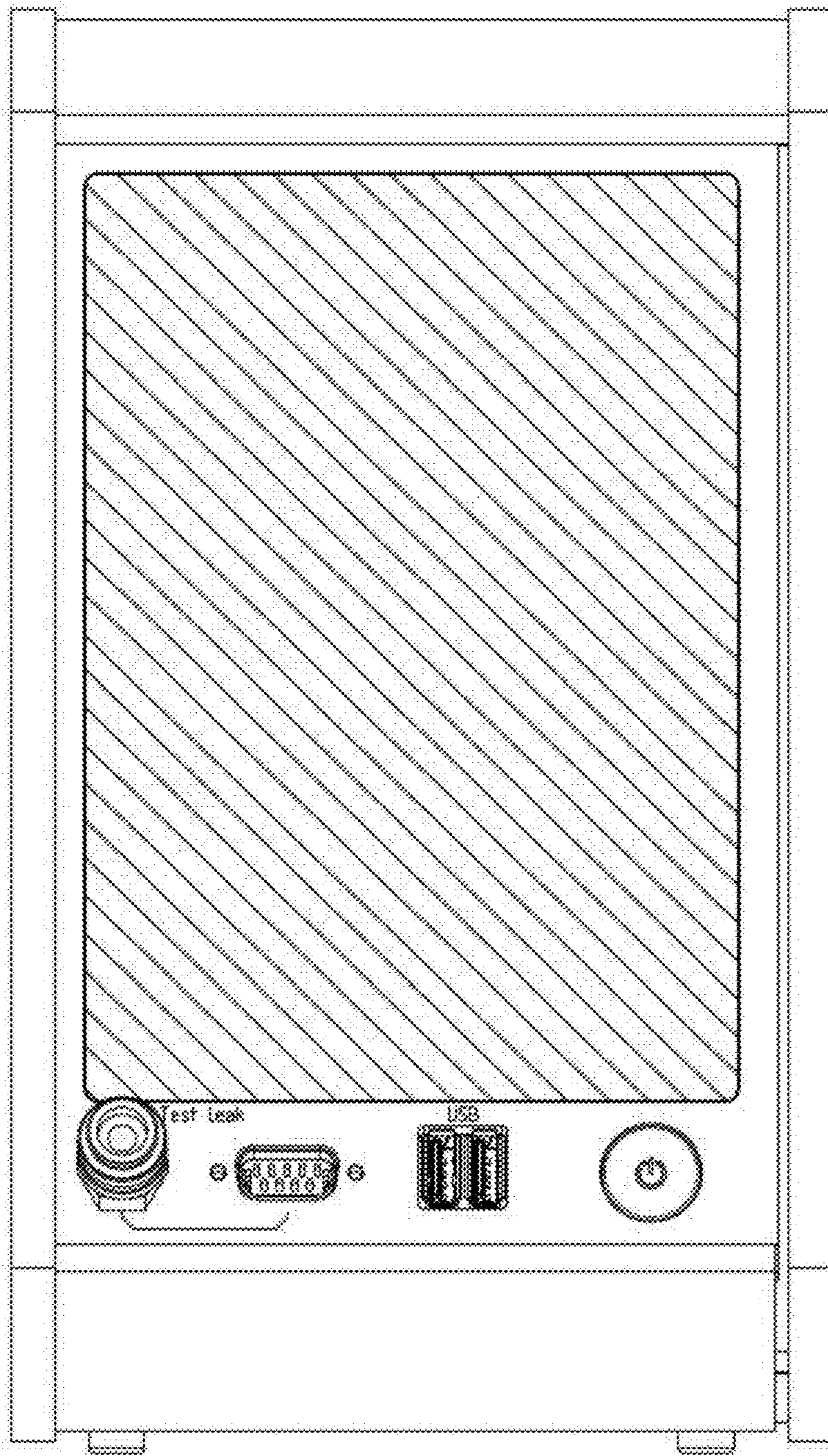


FIG. 8

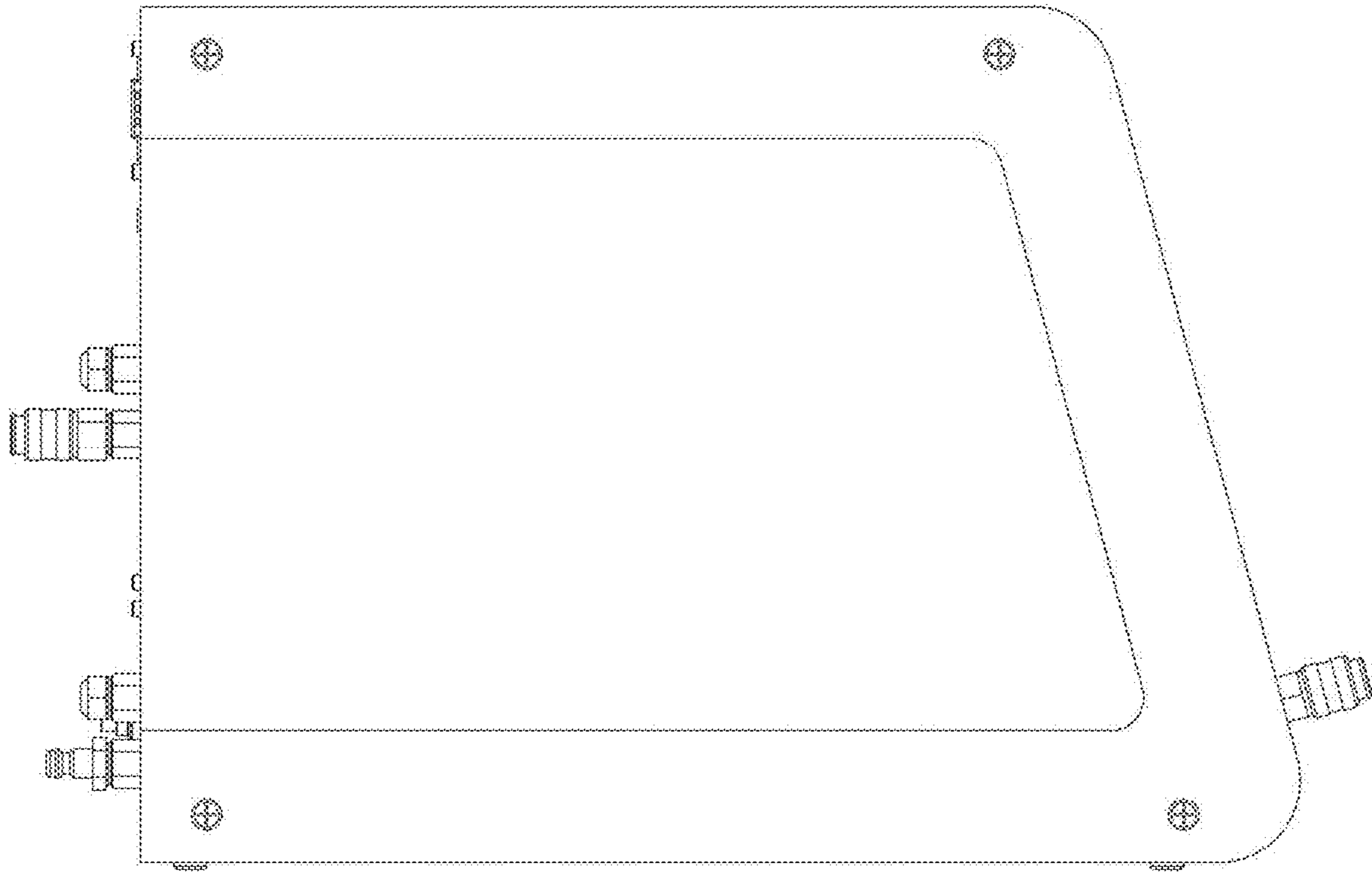


FIG. 9

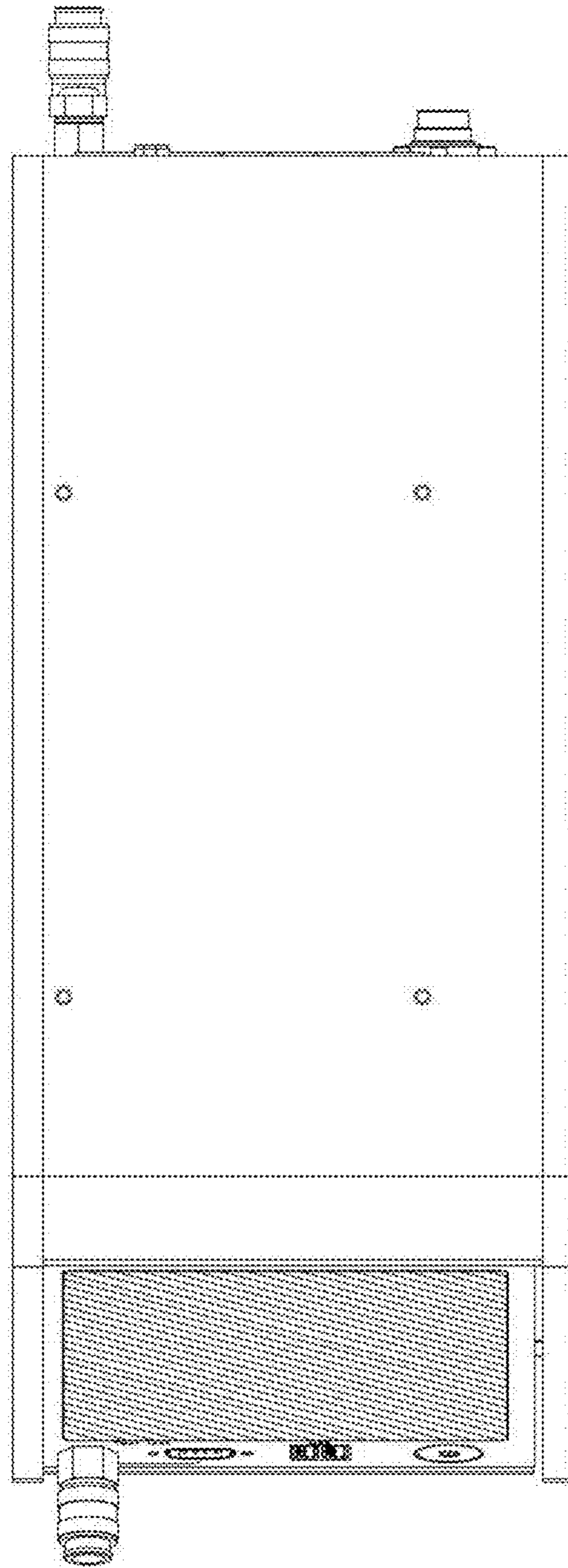
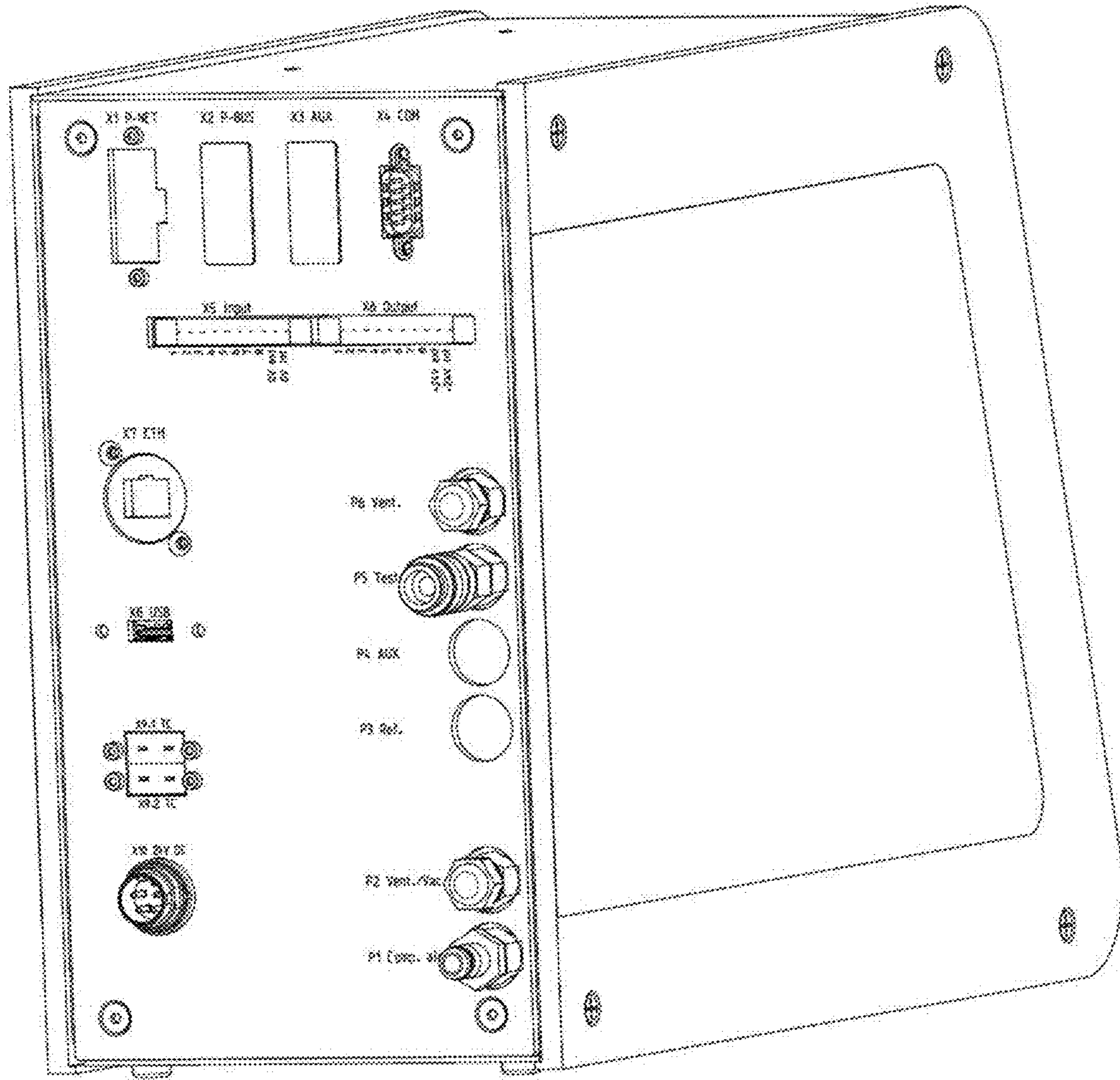


FIG. 10



UNITED STATES PATENT AND TRADEMARK OFFICE
CERTIFICATE OF CORRECTION

PATENT NO. : D852,076 S
APPLICATION NO. : 29/625571
DATED : June 25, 2019
INVENTOR(S) : Felix Bob

Page 1 of 1

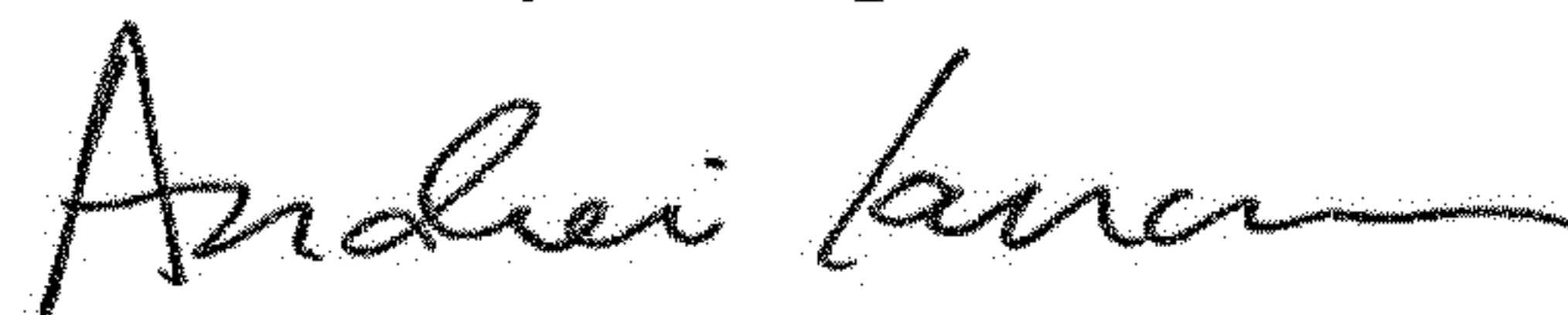
It is certified that error appears in the above-identified patent and that said Letters Patent is hereby corrected as shown below:

On the Title Page

(30) Foreign Application Priority Data should read:

-- May 11, 2017 (EM) 003994912-0001
May 11, 2017 (EM) 003994912-0002 --.

Signed and Sealed this
Third Day of September, 2019



Andrei Iancu
Director of the United States Patent and Trademark Office