



US00D852075S

(12) **United States Design Patent**  
**Huang**

(10) **Patent No.:** **US D852,075 S**

(45) **Date of Patent:** **\*\* Jun. 25, 2019**

- (54) **ELECTRONIC KITCHEN SCALE**
- (71) Applicant: **Zhichao Huang**, Guangdong (CN)
- (72) Inventor: **Zhichao Huang**, Guangdong (CN)
- (\*\*) Term: **15 Years**
- (21) Appl. No.: **29/640,210**
- (22) Filed: **Mar. 12, 2018**
- (51) **LOC (11) Cl.** ..... **10-04**
- (52) **U.S. Cl.**  
USPC ..... **D10/91**
- (58) **Field of Classification Search**  
USPC ..... D10/91  
CPC ..... G01G 19/40; G01G 19/41; G01G 19/413;  
G01G 19/414; G01G 19/4144; G01G  
19/42; G01G 23/3728; G01G 23/3735;  
G01G 21/28; G01G 21/283; G01G  
21/286; G01G 21/30; G06Q 20/208  
See application file for complete search history.

(56) **References Cited**  
U.S. PATENT DOCUMENTS

- D401,173 S \* 11/1998 Kurata ..... D10/91
- D599,239 S \* 9/2009 Pohl ..... D10/91

- D607,357 S \* 1/2010 Pohl ..... D10/91
- D615,434 S \* 5/2010 Regard ..... D10/91
- D817,797 S \* 5/2018 Huckestein ..... D10/91

\* cited by examiner

*Primary Examiner* — Antoine Duval Davis

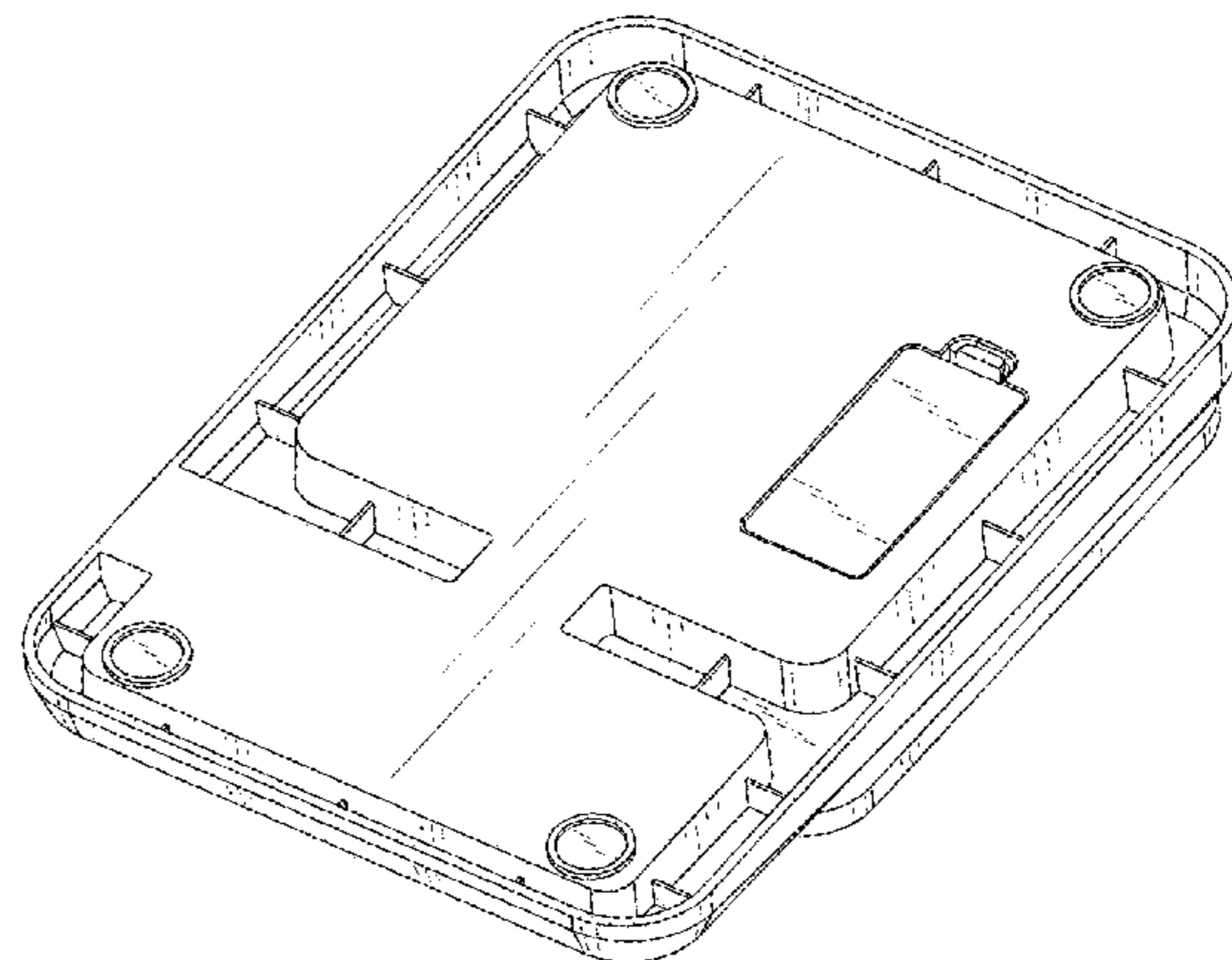
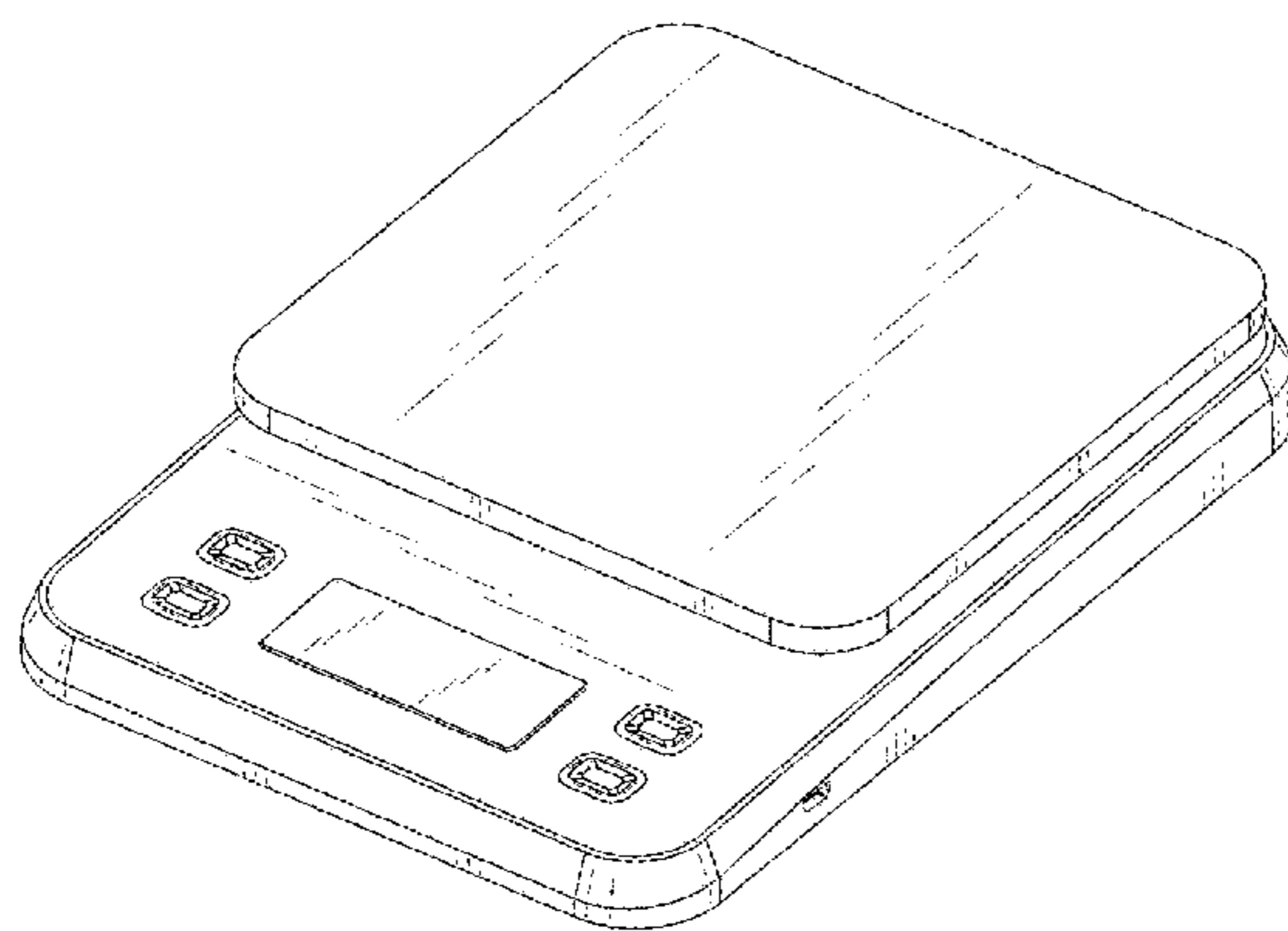
(57) **CLAIM**

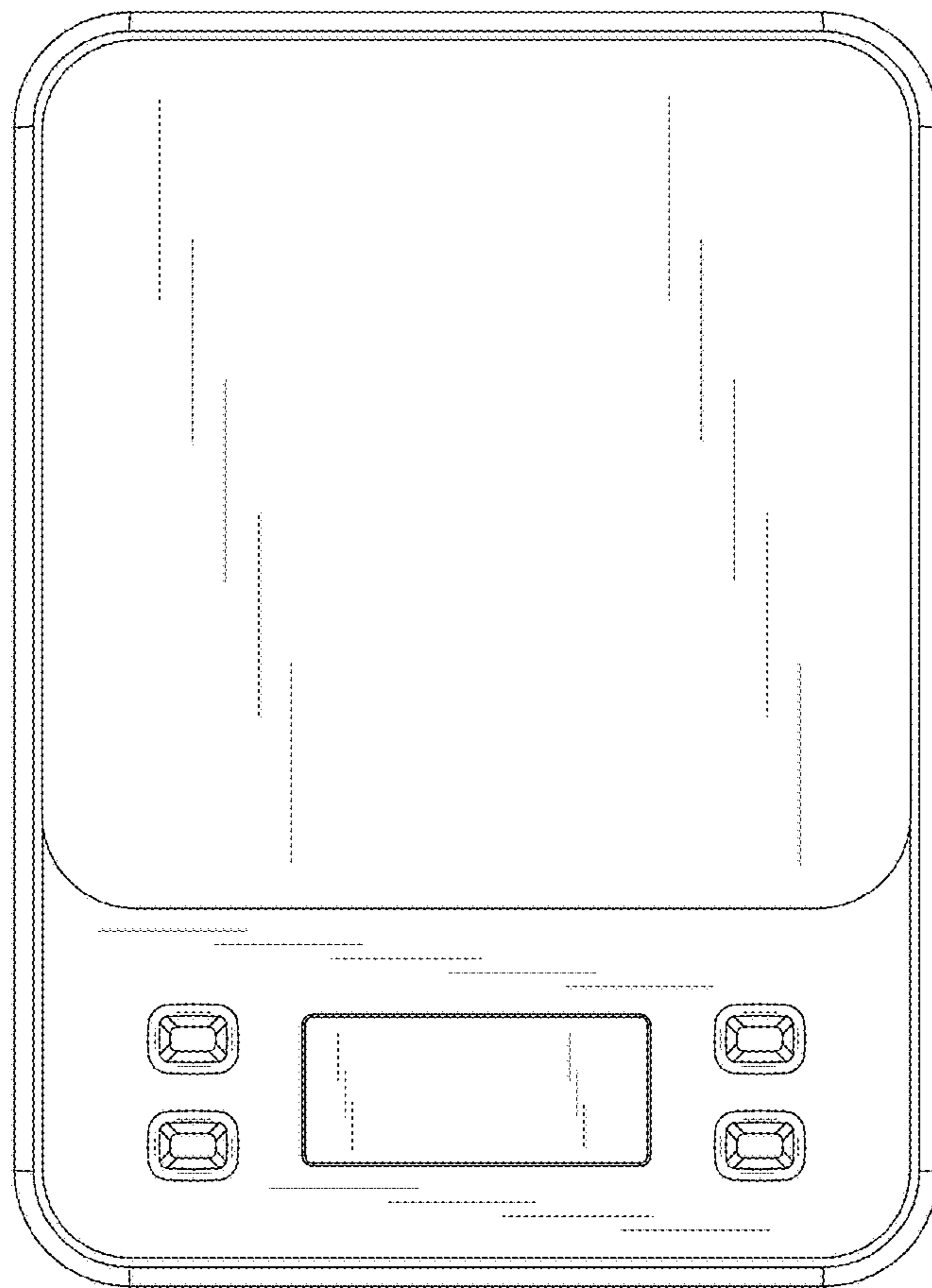
The ornamental design for electronic kitchen scale, as shown and described.

**DESCRIPTION**

FIG. 1 is a front view of the electronic kitchen scale showing my new design;  
 FIG. 2 is a back view thereof;  
 FIG. 3 is a left side view thereof;  
 FIG. 4 is a right side view thereof;  
 FIG. 5 is a top view thereof;  
 FIG. 6 is a bottom view thereof;  
 FIG. 7 is a perspective view thereof; and,  
 FIG. 8 is another perspective view thereof.

**1 Claim, 6 Drawing Sheets**





*Fig.1*

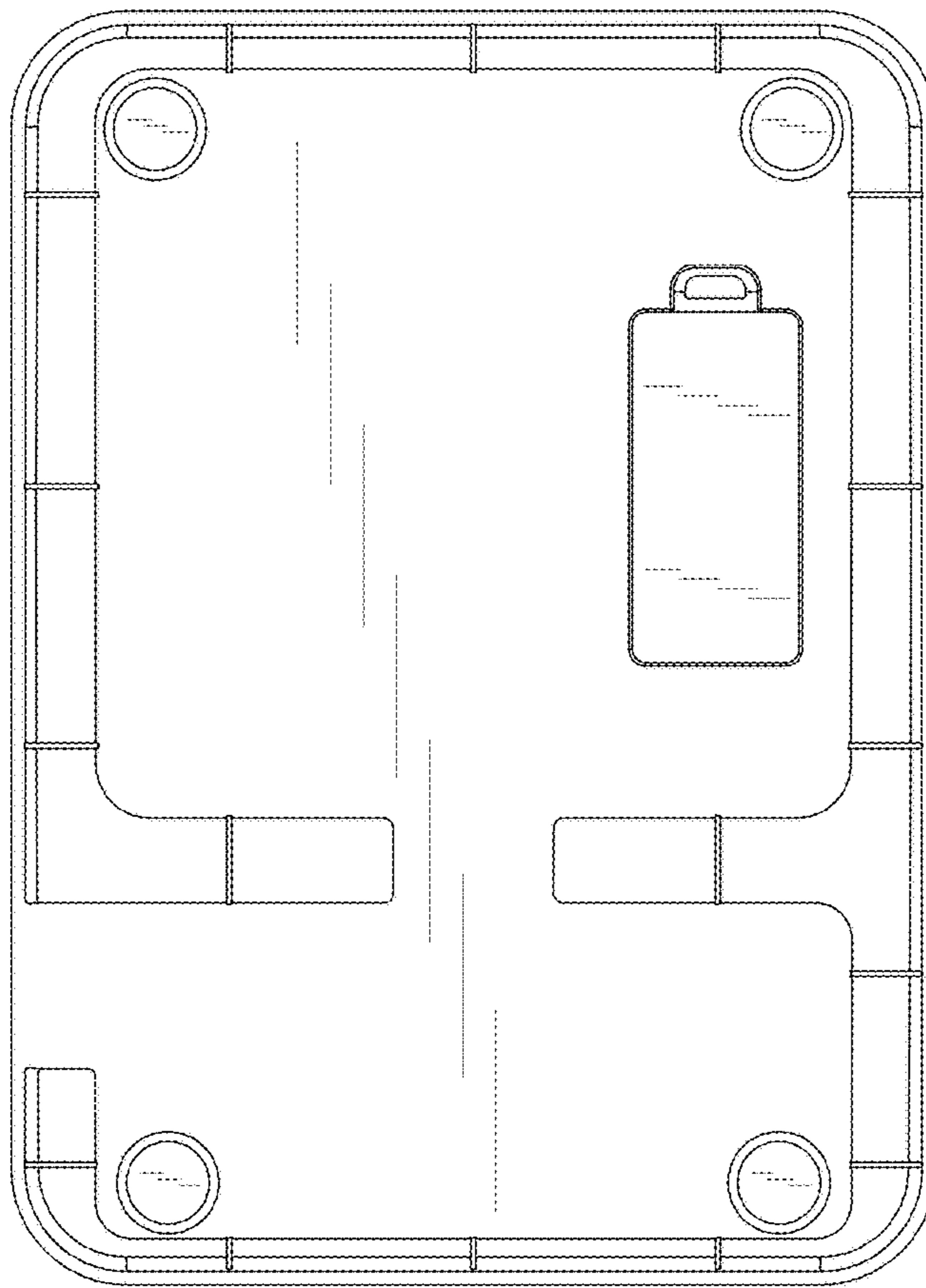


Fig.2

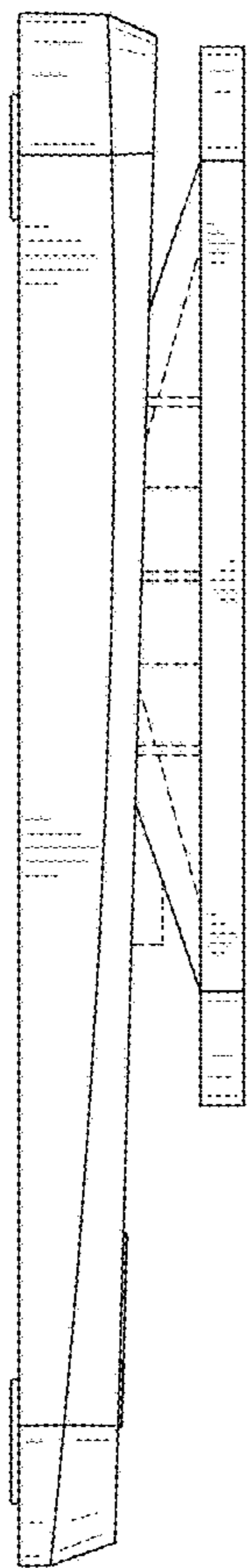


Fig.3

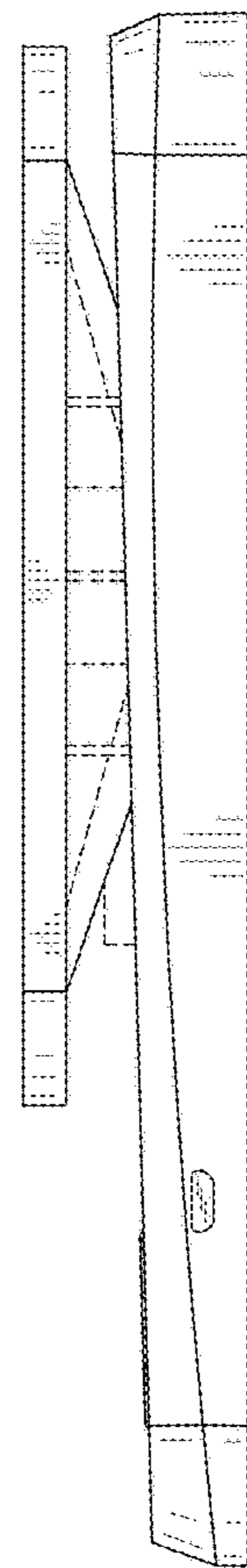
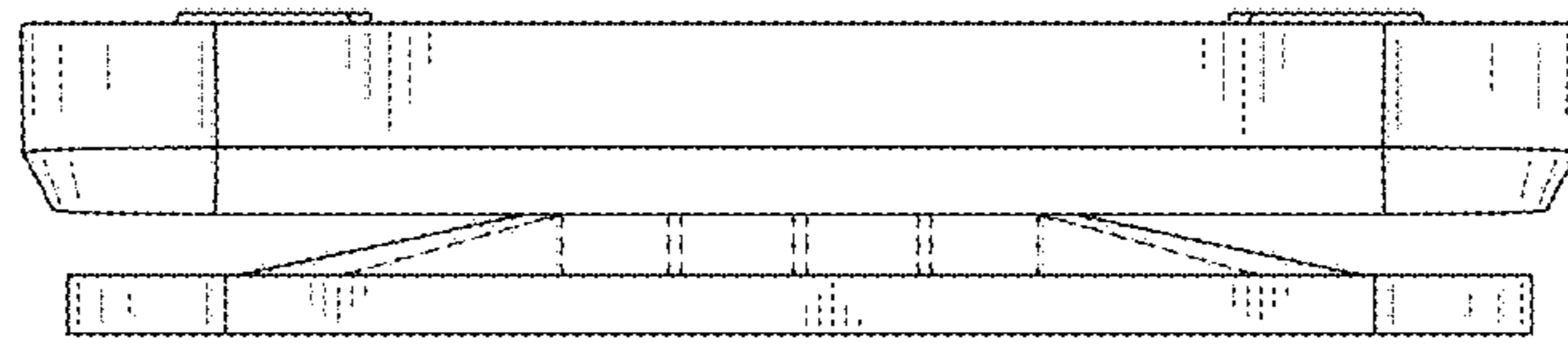
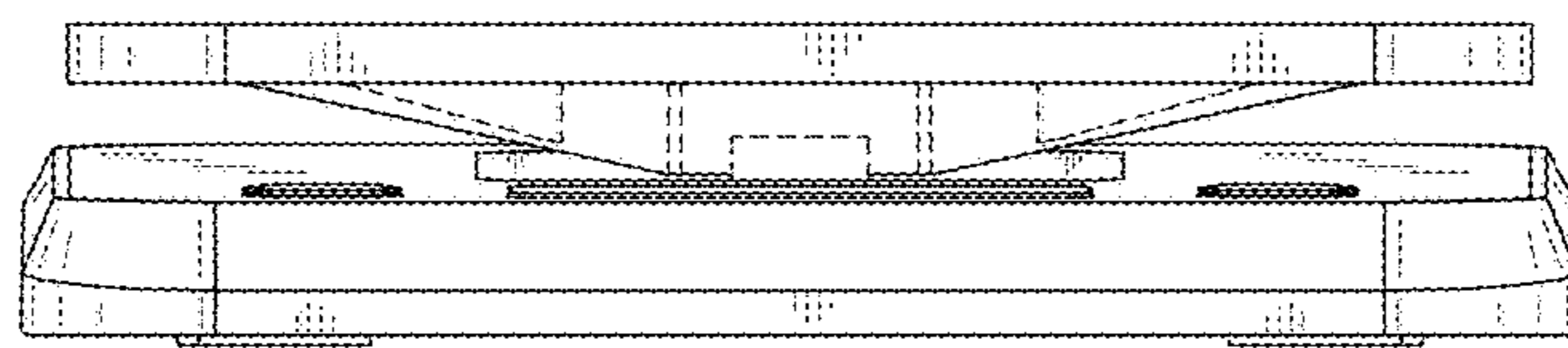


Fig.4



*Fig.5*



*Fig.6*

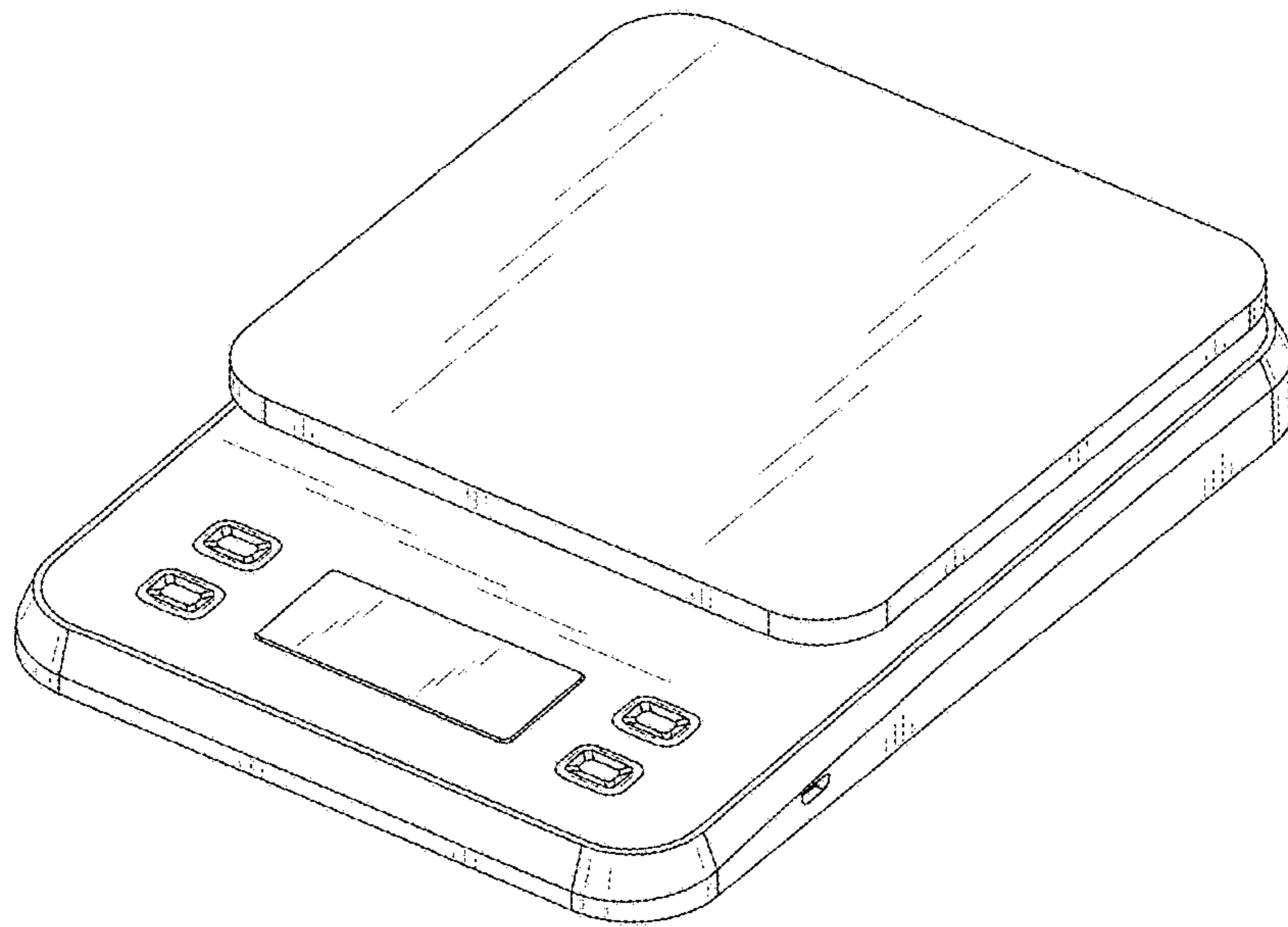


Fig.7

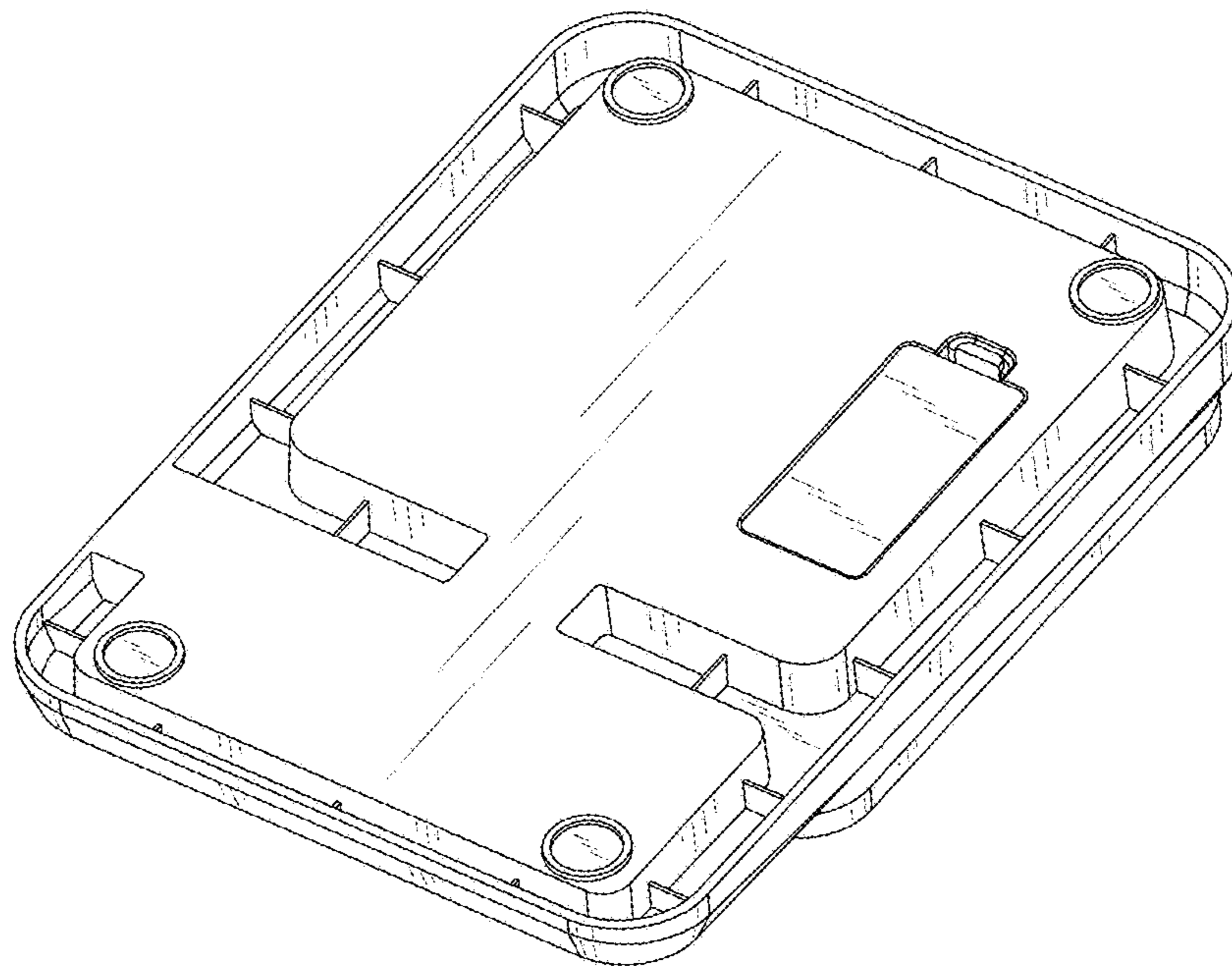


Fig.8