



US00D852074S

(12) **United States Design Patent** (10) **Patent No.:** **US D852,074 S**
Laurans et al. (45) **Date of Patent:** **** Jun. 25, 2019**

(54) **SENSOR HOUSING**

(71) Applicant: **SimpliSafe, Inc.**, Boston, MA (US)

(72) Inventors: **Chad Laurans**, Brookline, MA (US);
Melina Engel, Belmont, MA (US);
Yong Zhao, Medford, MA (US); **Jason Robinson**, Tewksbury, MA (US);
Gregory Wolos, Cambridge, MA (US); **Ian Schon**, Brookline, MA (US); **Dirk Ahlgrim**, Boston, MA (US)

(73) Assignee: **SimpliSafe, Inc.**, Boston, MA (US)

(**) Term: **15 Years**

(21) Appl. No.: **29/629,737**

(22) Filed: **Dec. 15, 2017**

(51) **LOC (11) Cl.** **10-04**

(52) **U.S. Cl.**
USPC **D10/80**

(58) **Field of Classification Search**
USPC D10/46, 70, 80, 106.6
CPC .. G01P 13/00; G01P 13/0006; G01P 13/0013;

G01P 13/002; G01P 13/0026; G01P 13/0033; G01P 13/004; G01P 13/0046; G01P 13/0053; G01P 13/006; G01P 13/0066; G01P 13/0073; G01P 13/008; G01P 13/0086; G01P 13/0093; G08B 21/00; G08B 21/02; G08B 21/0202; G08B 21/0205; G08B 21/0208; G08B 21/0211; G08B 21/0213; G08B 21/0216; G08B 21/0219; G08B 21/0222; G08B 21/0225; G08B 21/0227; G08B 21/023; G08B 21/0233; G08B 21/0236; G08B 21/0238; G08B 21/0241; G08B 21/0244; G08B 21/0247; G08B 21/025; G08B 21/0252; G08B 21/0258; G08B 21/0261; G08B 21/0263; G08B 21/0266; G08B 21/0269; G08B 21/0272; G08B 21/0275; G08B 21/0277; G08B 21/028; G08B

21/0283; G08B 21/0286; G08B 21/0288; G08B 21/0291; G08B 21/0194; G08B 21/0297; G08B 21/04; G08B 21/0407; G08B 21/0415; G08B 21/0423; G08B 21/043; G08B 21/0438; G08B 21/0446; G08B 21/0453; G08B 21/0461; G08B
(Continued)

(56) **References Cited**

U.S. PATENT DOCUMENTS

D628,103 S * 11/2010 Schmalz D10/106.6
D651,532 S * 1/2012 Li D10/70
(Continued)

Primary Examiner — Antoine Duval Davis

(74) *Attorney, Agent, or Firm* — Wolf, Greenfield & Sacks, P.C.

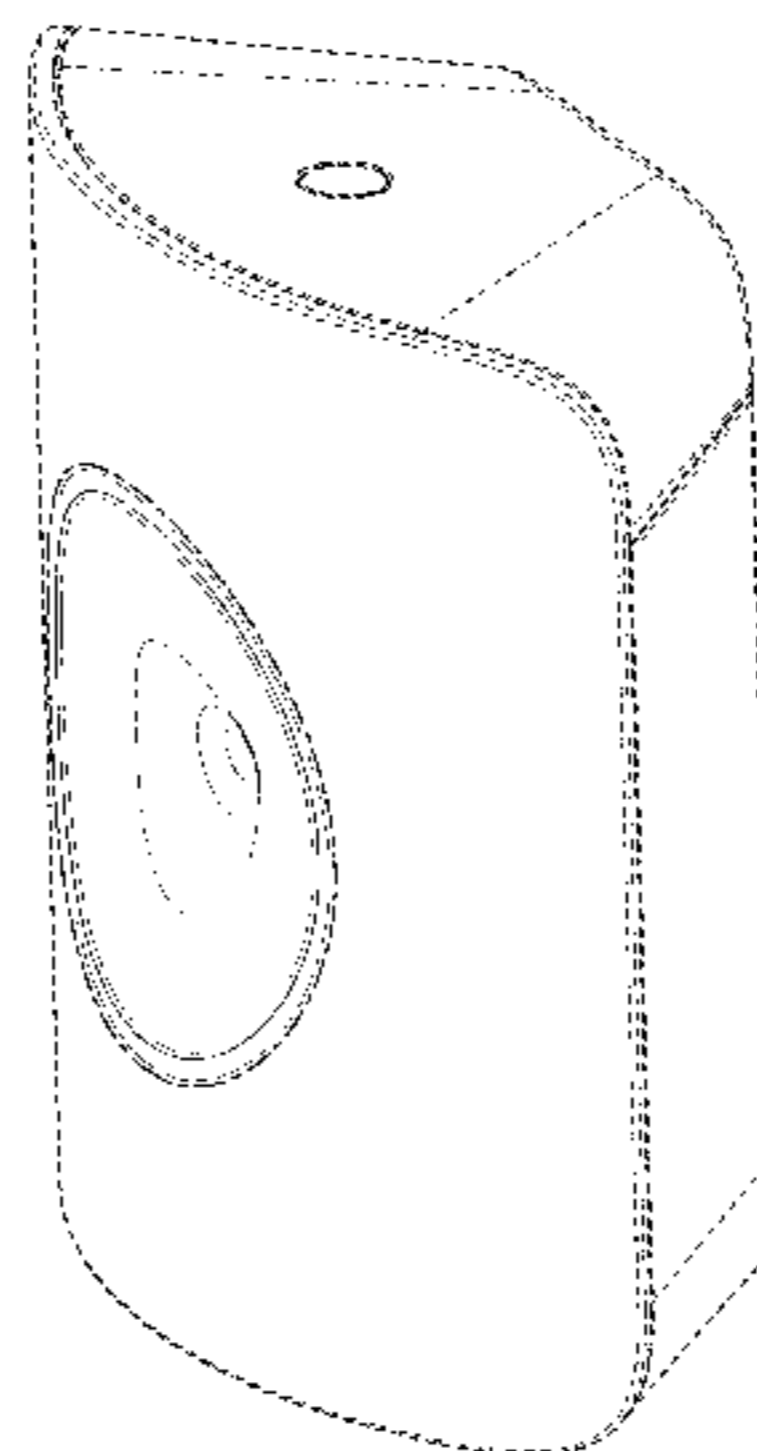
(57) **CLAIM**

The ornamental design for a sensor housing, as shown and described.

DESCRIPTION

FIG. 1 shows an upper front right perspective view of the sensor housing;
FIG. 2 shows a lower front right perspective view of the FIG. 1 embodiment;
FIG. 3 shows a front view of the FIG. 1 embodiment;
FIG. 4 shows a right side view of the FIG. 1 embodiment;
FIG. 5 shows a left side view of the FIG. 1 embodiment;
FIG. 6 shows a rear view of the FIG. 1 embodiment;
FIG. 7 shows a top view of the FIG. 1 embodiment; and,
FIG. 8 shows a bottom view of the FIG. 1 embodiment.
Features shown in dashed line form no part of the claimed invention. Only the portion of the sensor housing located within the dot-dash boundary line shown in FIGS. 1-5 forms the claimed invention. Portions outside of the dot-dash boundary line form no part of the claimed invention.

1 Claim, 8 Drawing Sheets



(58) **Field of Classification Search**

CPC 21/0469; G08B 21/0476; G08B 21/0484;
 G08B 21/0492; G08B 21/06; G08B
 21/08; G08B 21/082; G08B 21/084;
 G08B 21/086; G08B 21/088; G08B
 21/10; G08B 21/12; G08B 21/14; G08B
 21/16; G08B 21/18; G08B 21/182; G08B
 21/185; G08B 21/187; G08B 21/20;
 G08B 21/22; G08B 21/24; G08B 21/245;
 G08B 23/00; G08B 13/00; G08B 13/02;
 G08B 13/04; G08B 13/06; G08B 13/08;
 G08B 13/10; G08B 13/12; G08B 13/122;
 G08B 13/124; G08B 13/126; G08B
 13/028; G08B 13/14; G08B 13/1409;
 G08B 13/1418; G08B 13/1427; G08B
 13/1436; G08B 13/1445; G08B 13/1454;
 G08B 13/1463; G08B 13/1472; G08B
 13/1481; G08B 13/149; G08B 13/16;
 G08B 13/1609; G08B 13/1618; G08B
 13/1627; G08B 13/1636; G08B 13/1645;
 G08B 13/1654; G08B 13/1663; G08B
 13/1672; G08B 13/1681; G08B 13/169;
 G08B 13/18; G08B 13/181; G08B
 13/183; G08B 13/184; G08B 13/186;
 G08B 13/187; G08B 13/189; G08B
 13/1895; G08B 13/19; G08B 13/191;
 G08B 13/193; G08B 13/194; G08B
 13/196; G08B 13/19602; G08B 13/19604;
 G08B 13/19606; G08B 13/19608; G08B
 13/1961; G08B 13/19613; G08B
 13/19615; G08B 13/19617; G08B
 13/19619; G08B 13/19621; G08B
 13/19623; G08B 13/19626; G08B
 13/19628; G08B 13/1963; G08B
 13/19632; G08B 13/19634; G08B
 13/19636; G08B 13/19639; G08B
 13/19641; G08B 13/19643; G08B
 13/19645; G08B 13/19647; G08B

13/1965; G08B 13/19652; G08B
 13/19654; G08B 13/19656; G08B
 13/19658; G08B 13/1966; G08B
 13/19663; G08B 13/19665; G08B
 13/19667; G08B 13/19669; G08B
 13/19671; G08B 13/19673; G08B
 13/19676; G08B 13/19678; G08B
 13/1968; G08B 13/19682; G08B
 13/19684; G08B 13/19686; G08B
 13/19689; G08B 13/19691; G08B
 13/19693; G08B 13/19695; G08B
 13/19697; G08B 13/20; G08B 13/22;
 G08B 13/24; G08B 13/2402; G08B
 13/2405; G08B 13/2408; G08B 13/2411;
 G08B 13/2414; G08B 13/2417; G08B
 13/242; G08B 13/2422; G08B 13/2425;
 G08B 13/2428; G08B 13/2431; G08B
 13/2434; G08B 13/2437; G08B 13/244;
 G08B 13/2442; G08B 13/2445; G08B
 13/2448; G08B 13/2451; G08B 13/2454;
 G08B 13/2457; G08B 13/246; G08B
 13/2462; G08B 13/2465; G08B 13/2468;
 G08B 13/2471; G08B 13/2474; G08B
 13/2477; G08B 13/248; G08B 13/2482;
 G08B 13/2485; G08B 13/2488; G08B
 13/2491; G08B 13/2494; G08B 13/2497;
 G08B 13/26

See application file for complete search history.

(56)

References Cited

U.S. PATENT DOCUMENTS

D656,848 S * 4/2012 Mosher D10/70
 D666,512 S * 9/2012 Gresko D10/70
 D818,515 S * 5/2018 Laurans D16/203
 D819,715 S * 6/2018 Laurans D16/203

* cited by examiner

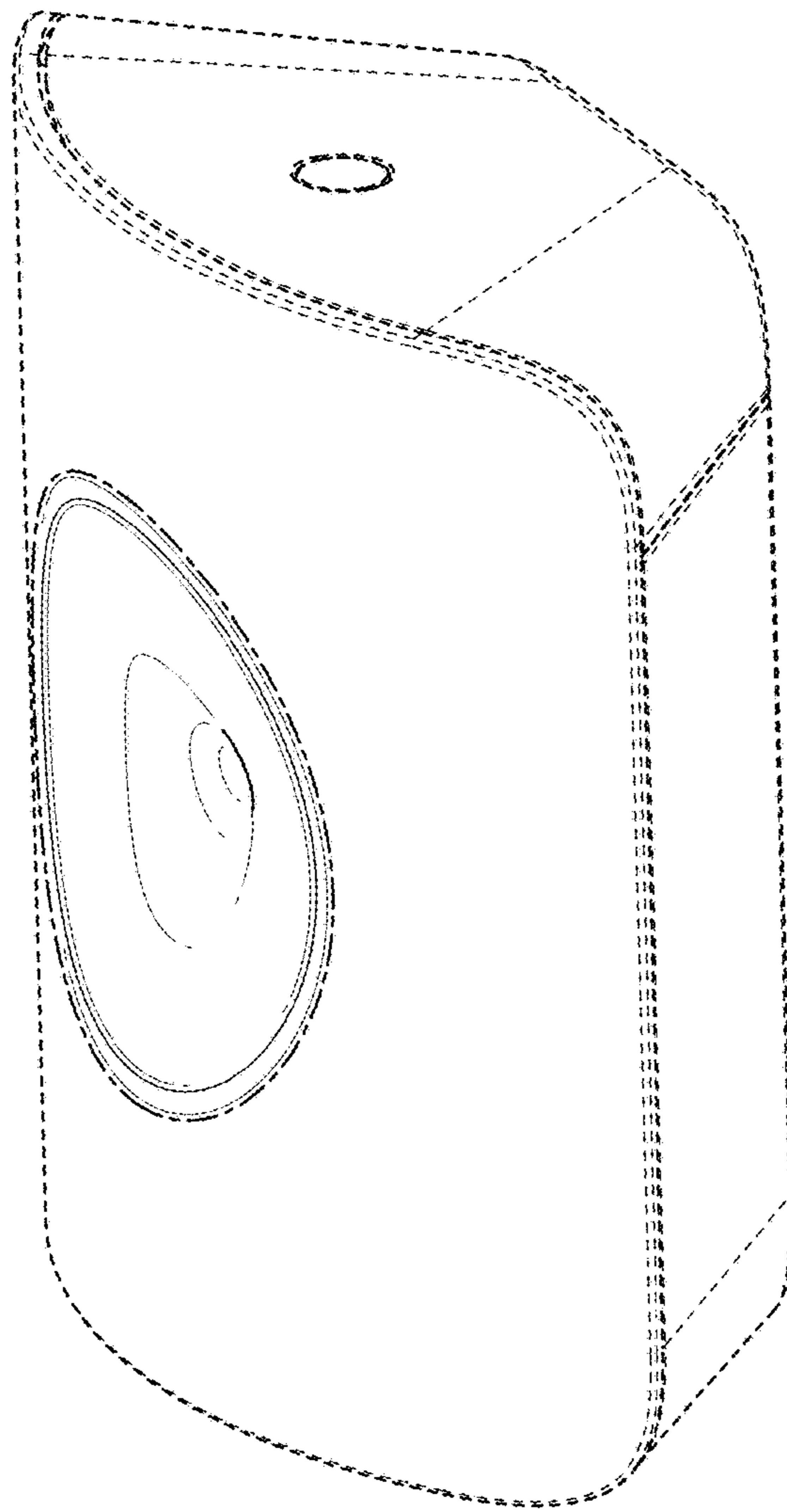


FIG. 1

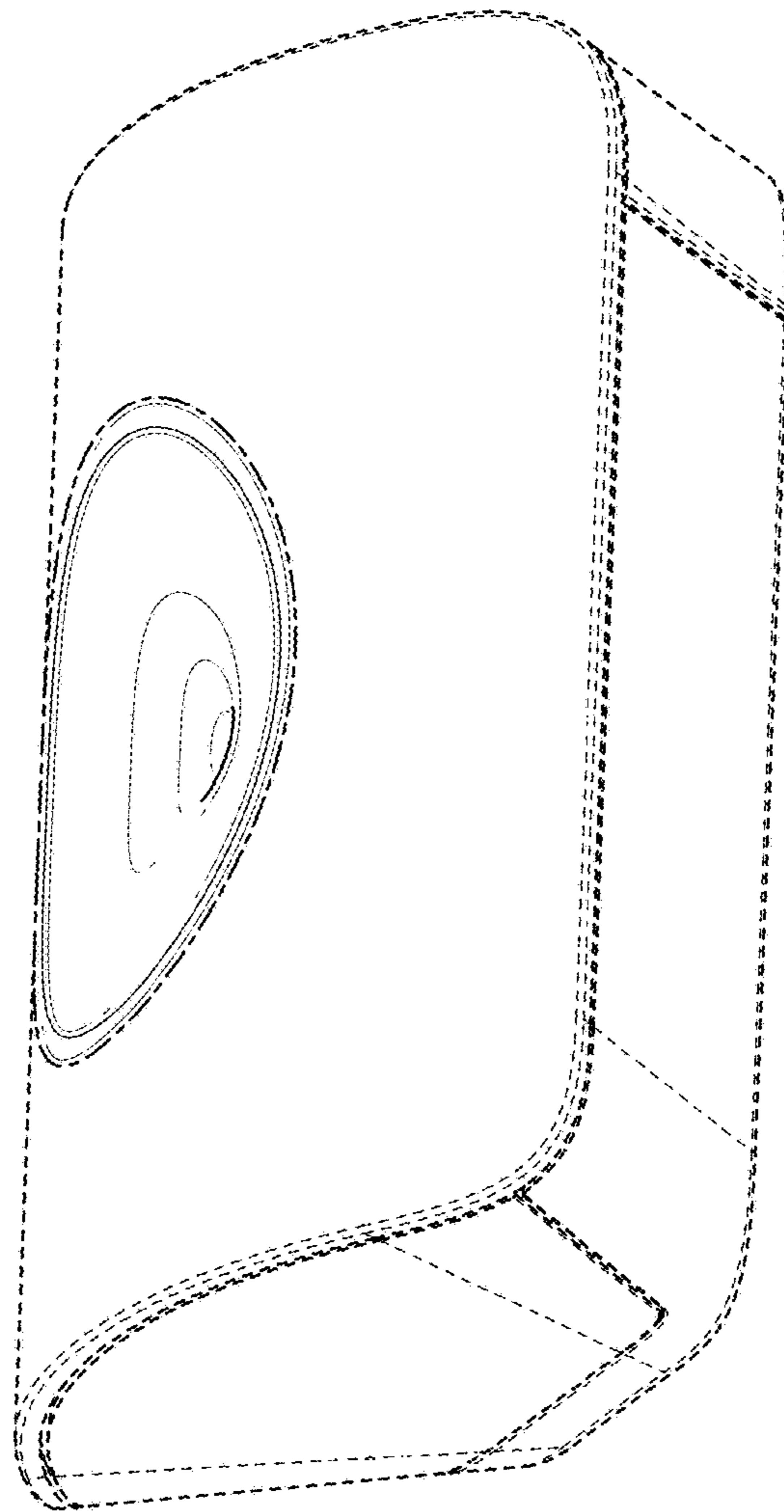


FIG. 2

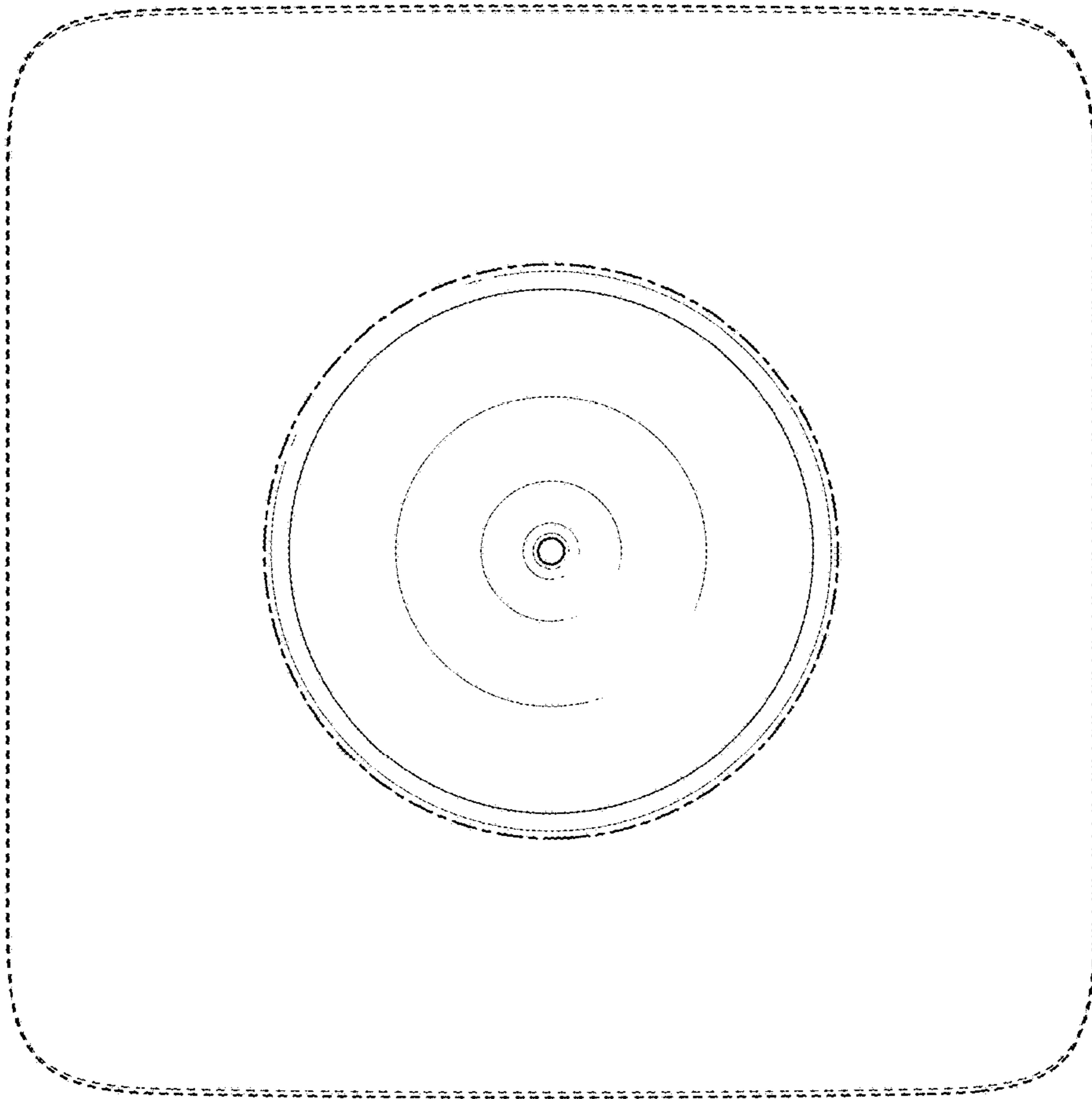


FIG. 3

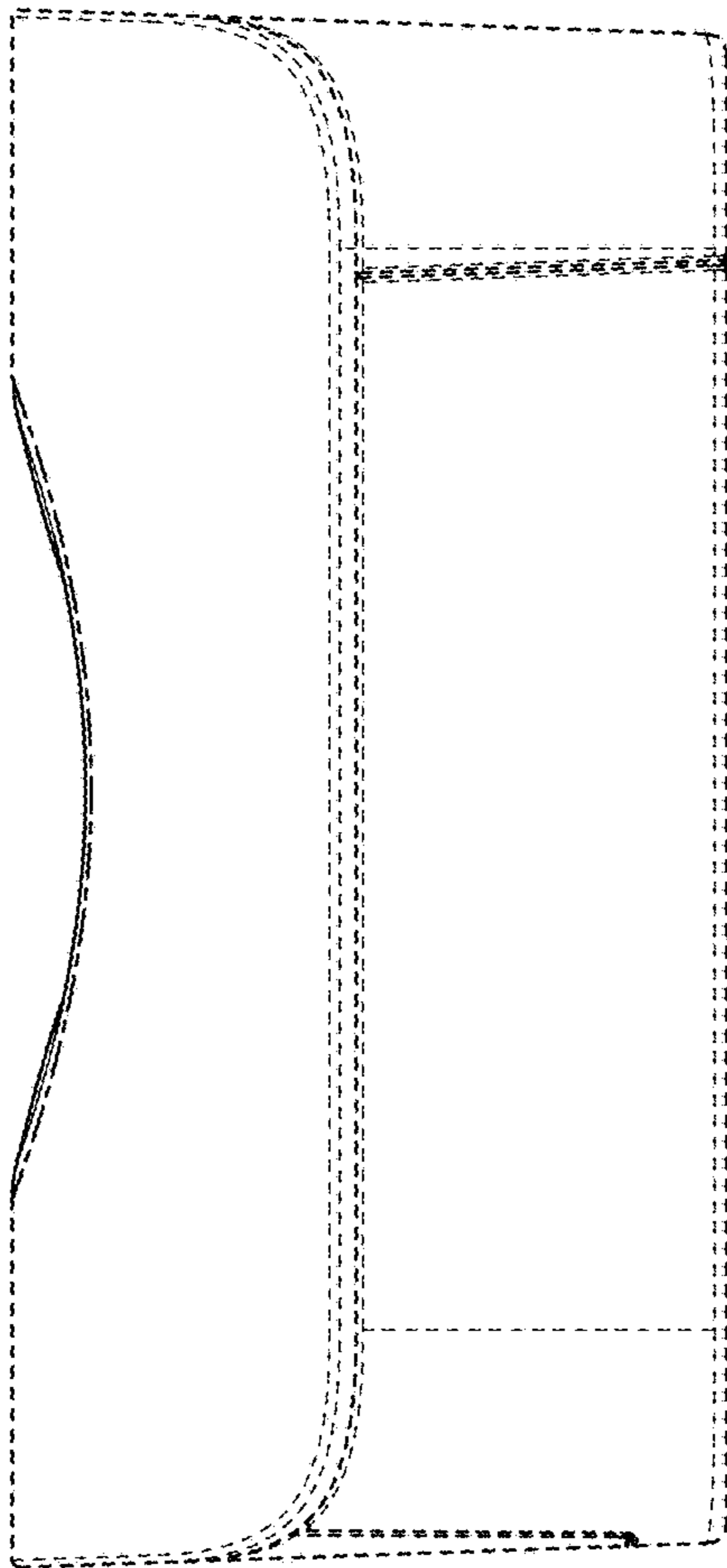


FIG. 4

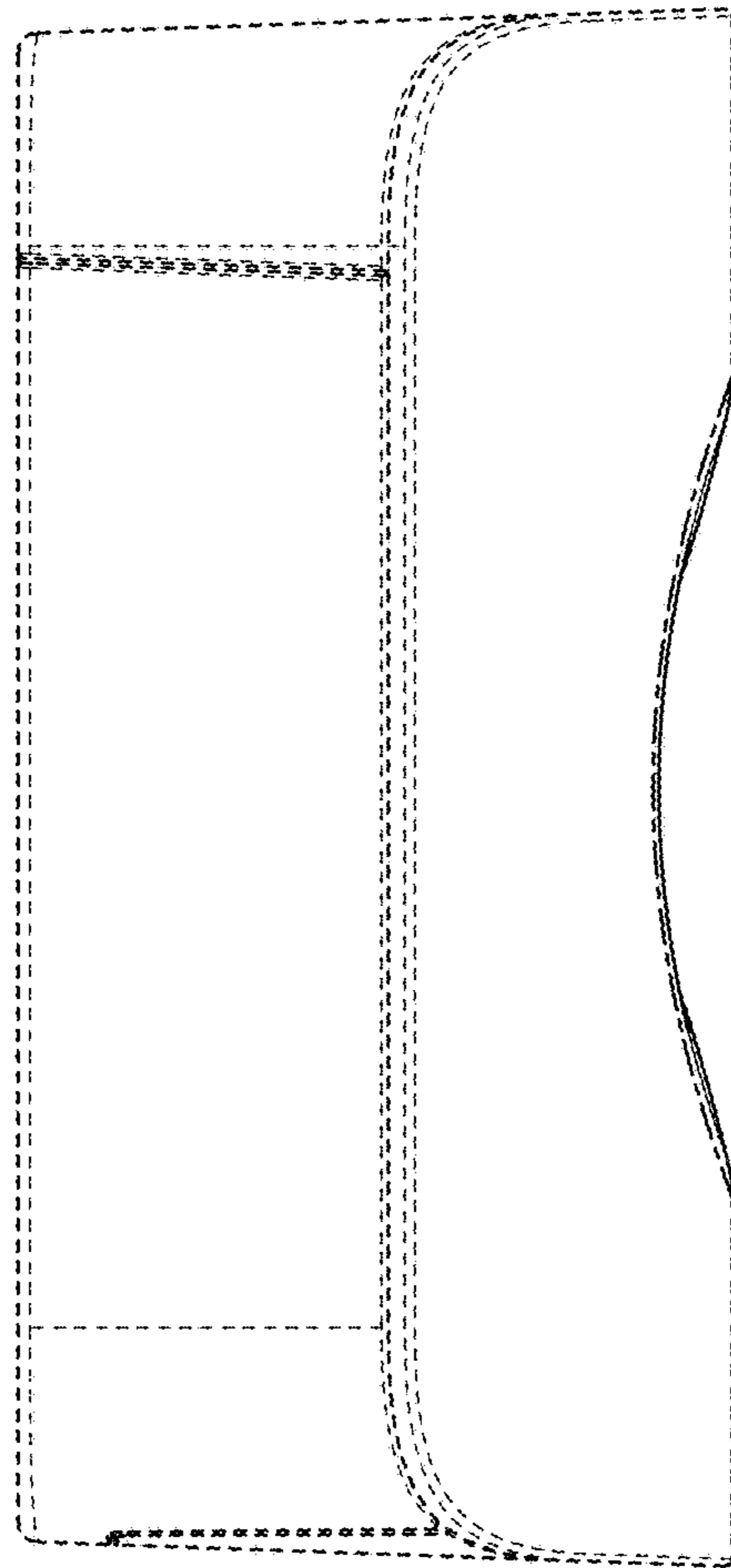


FIG. 5

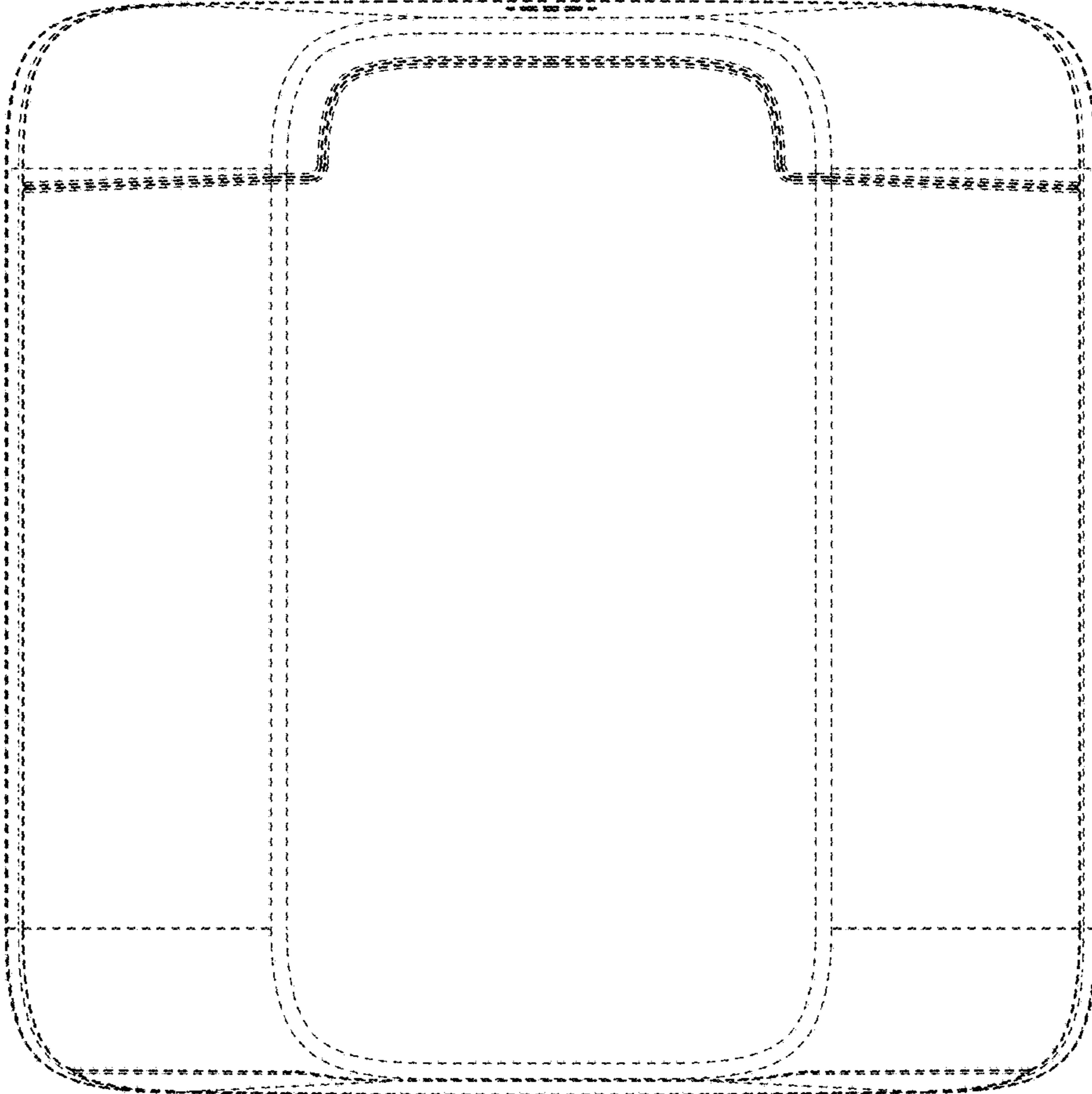


FIG. 6

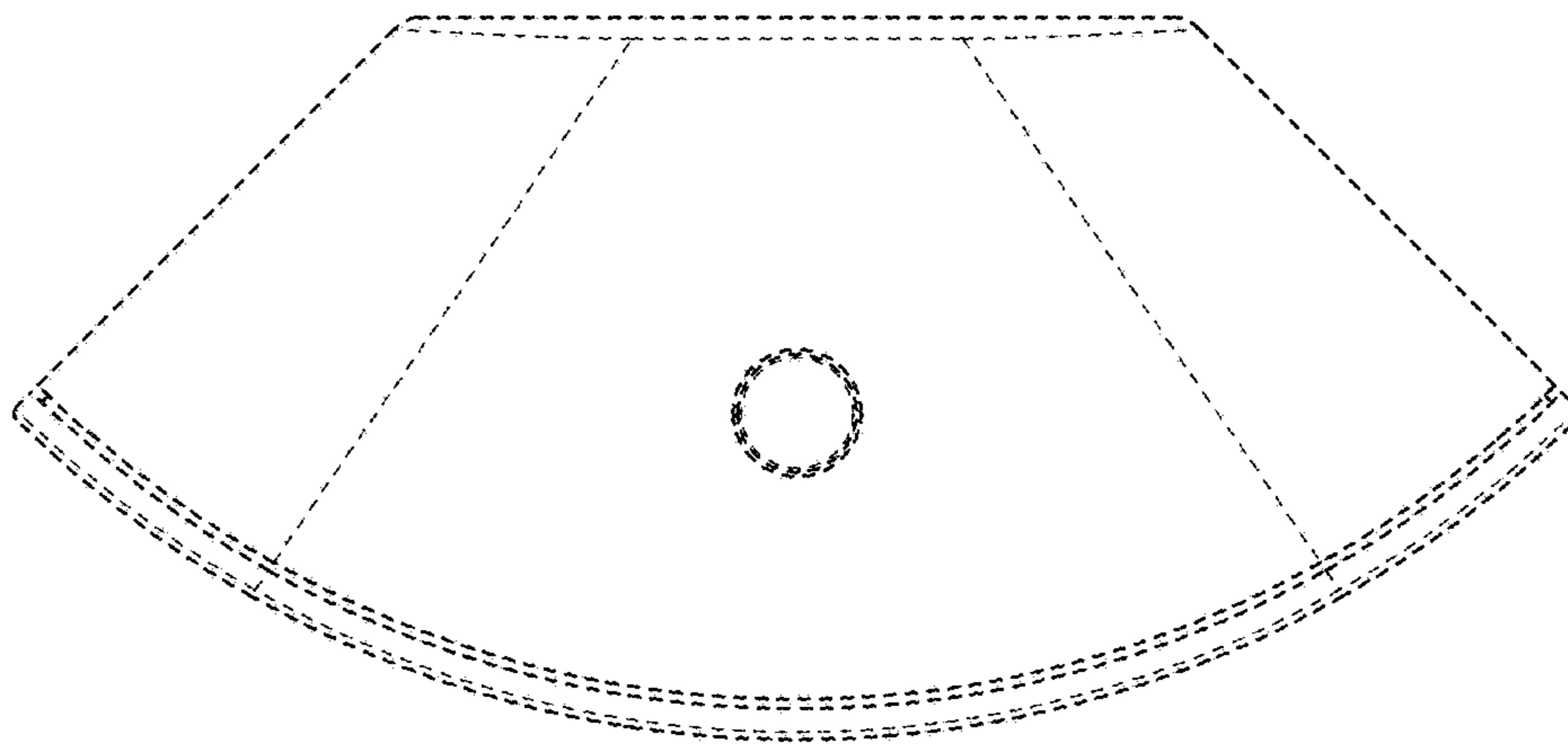


FIG. 7

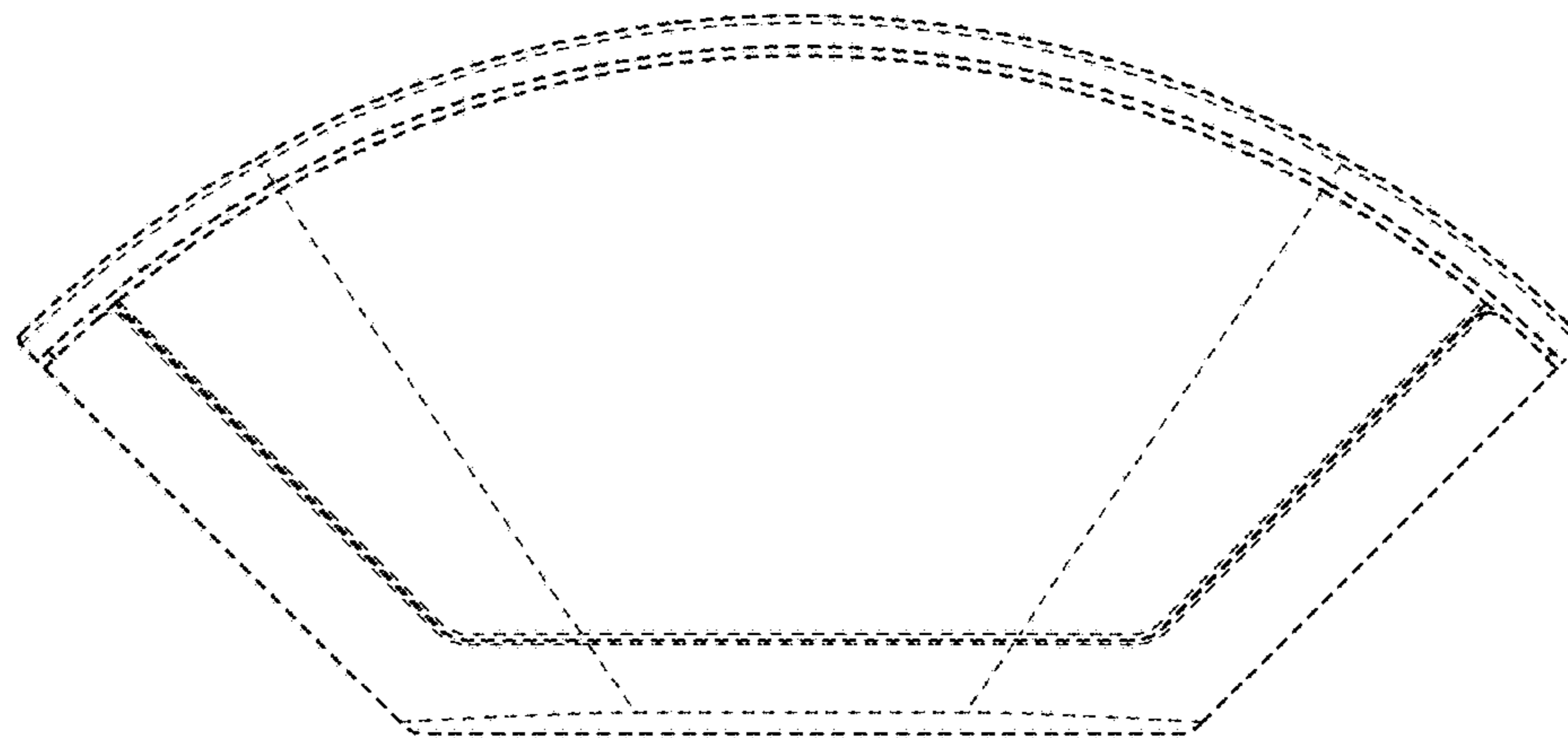


FIG. 8