



US00D852073S

(12) **United States Design Patent**
Zhao et al.

(10) **Patent No.:** **US D852,073 S**
(45) **Date of Patent:** **** Jun. 25, 2019**

- (54) **AUTO DIAGNOSTIC SCANNER**
- (71) Applicant: **Autophix Tech Co., Ltd**, Shenzhen (CN)
- (72) Inventors: **Yutao Zhao**, Shenzhen (CN); **Qing Huang**, Shenzhen (CN); **Jian Hao**, Shenzhen (CN)
- (73) Assignee: **Autophix Tech Co., Ltd**, Shenzhen (CN)
- (**) Term: **15 Years**
- (21) Appl. No.: **29/631,530**
- (22) Filed: **Dec. 29, 2017**
- (51) **LOC (11) Cl.** **10-04**
- (52) **U.S. Cl.**
USPC **D10/78**
- (58) **Field of Classification Search**
USPC D10/78
CPC G01L 19/08; G01L 19/083; G01L 19/086; G01L 19/10; G01L 19/12; G01L 19/14; G01L 19/141; G01L 19/142; G01L 19/143; G01L 19/144; G01L 19/45; G01L 19/146; G01L 19/147; G01L 19/148; G01L 19/149; G01L 19/16; G07C 5/00; G07C 5/002; G07C 5/004; G07C 5/006; G07C 5/008; G07C 5/02; G07C 5/04; G07C 5/06; G07C 5/08; G07C 5/0808; G07C 5/0816; G07C 5/0825; G07C 5/0833; G07C 5/0841; G07C 5/085; G07C 5/0858; G07C 5/0866; G07C 5/0875; G07C 5/0883; G07C 5/0891; G07C 5/10

See application file for complete search history.

(56) **References Cited**

U.S. PATENT DOCUMENTS

D629,318 S *	12/2010	Disch	D10/78
7,860,619 B2 *	12/2010	Bertosa	G07C 5/0808 340/438
8,600,610 B2 *	12/2013	Bertosa	G07C 5/008 701/33.2
9,014,907 B2 *	4/2015	Lipscomb	G07C 5/008 701/115
9,275,503 B2 *	3/2016	Chen	G07C 5/0808
9,646,432 B2 *	5/2017	Madison	G07C 5/085
D806,592 S *	1/2018	Protti	D10/78
D806,593 S *	1/2018	Sova	D10/78

* cited by examiner

Primary Examiner — Antoine Duval Davis
(74) *Attorney, Agent, or Firm* — Hanley, Flight and Zimmerman, LLC

(57) **CLAIM**
The ornamental design for a “auto diagnostic scanner,” as shown and described.

DESCRIPTION

FIG. 1 is a perspective view of an auto diagnostic scanner. FIG. 2 is a top plan view of the auto diagnostic scanner of FIG. 1. FIG. 3 is a bottom plan view of the auto diagnostic scanner of FIG. 1. FIG. 4 is a front view of the auto diagnostic scanner of FIG. 1. FIG. 5 is a rear view of the auto diagnostic scanner of FIG. 1. FIG. 6 is a right side view of the auto diagnostic scanner of FIG. 1; and, FIG. 7 is a left side view of the auto diagnostic scanner of FIG. 1.

1 Claim, 7 Drawing Sheets

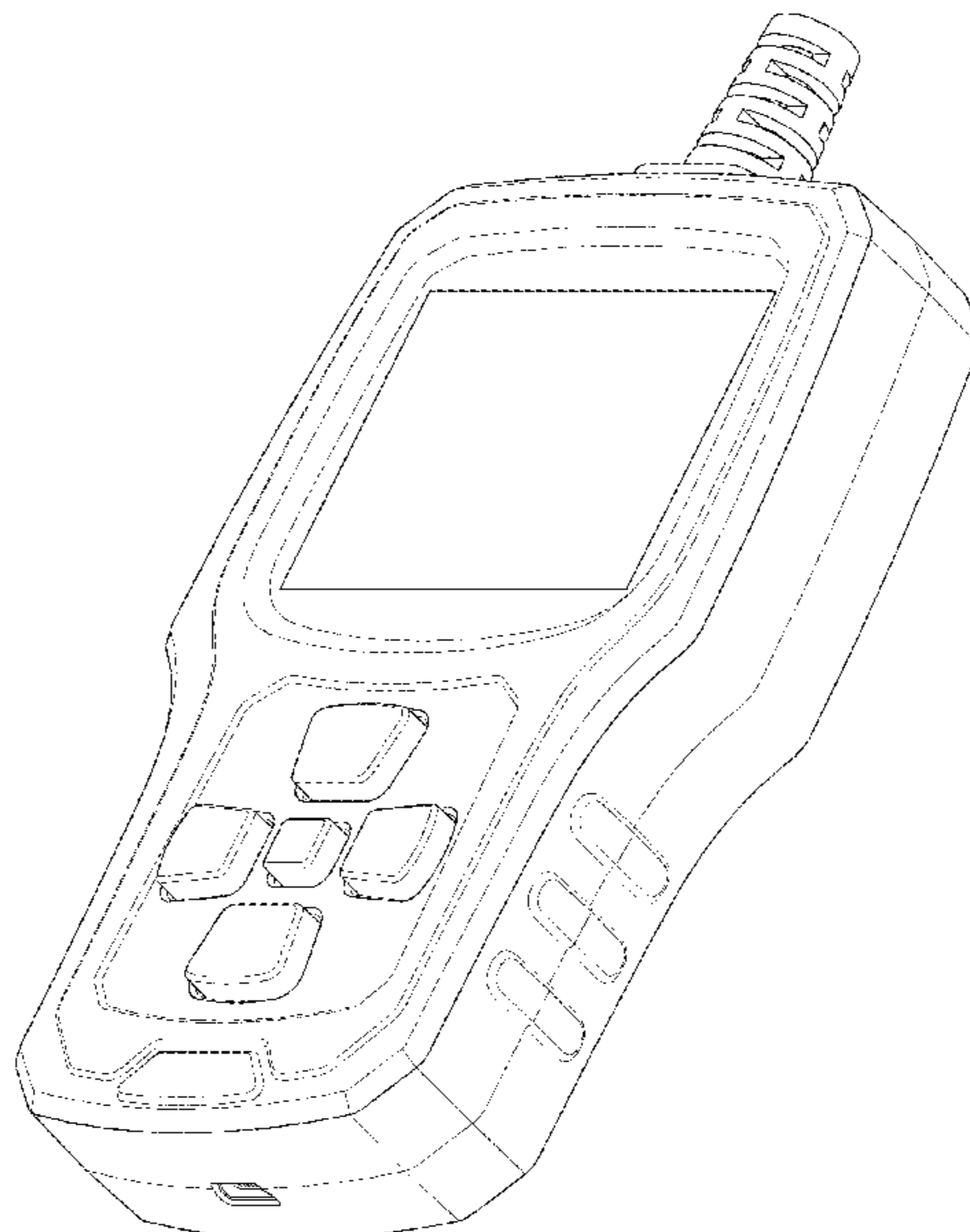




FIG. 1

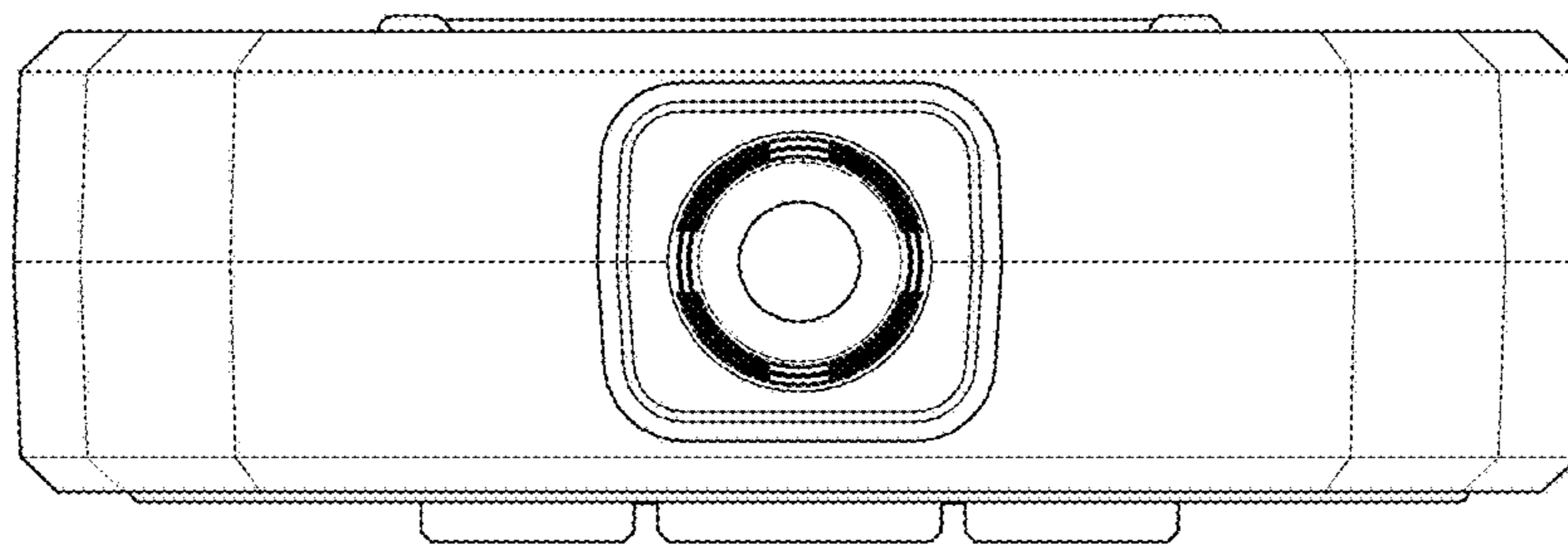


FIG. 2

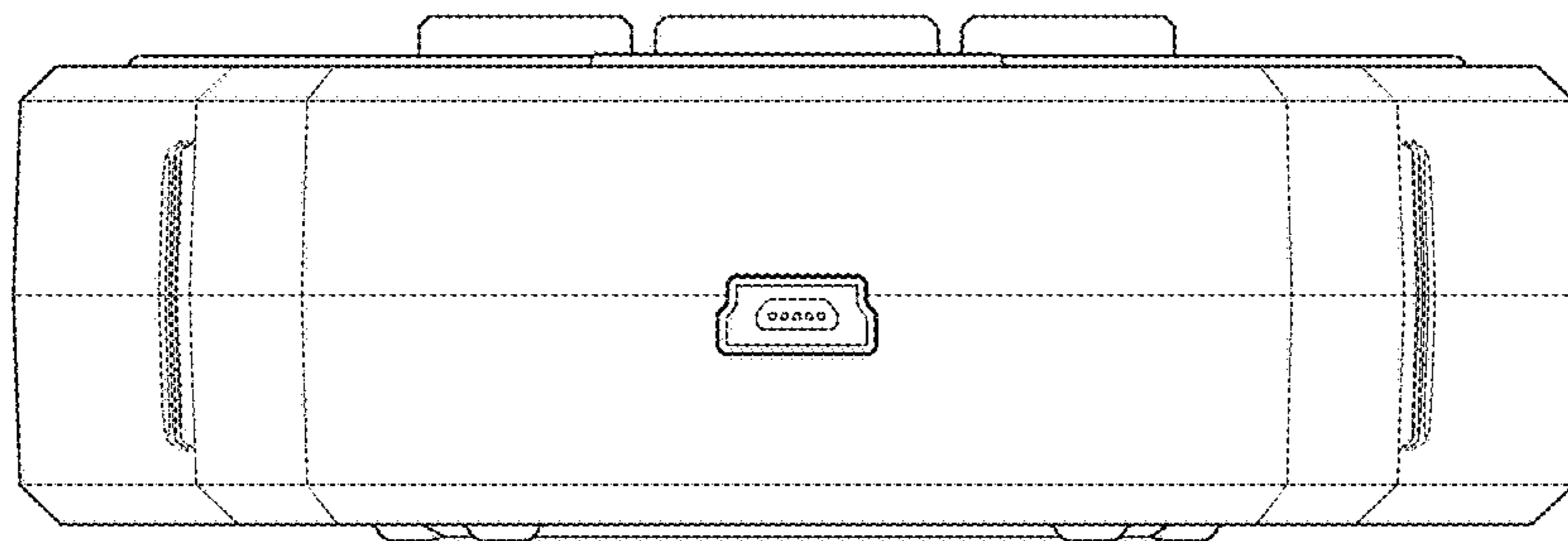


FIG. 3

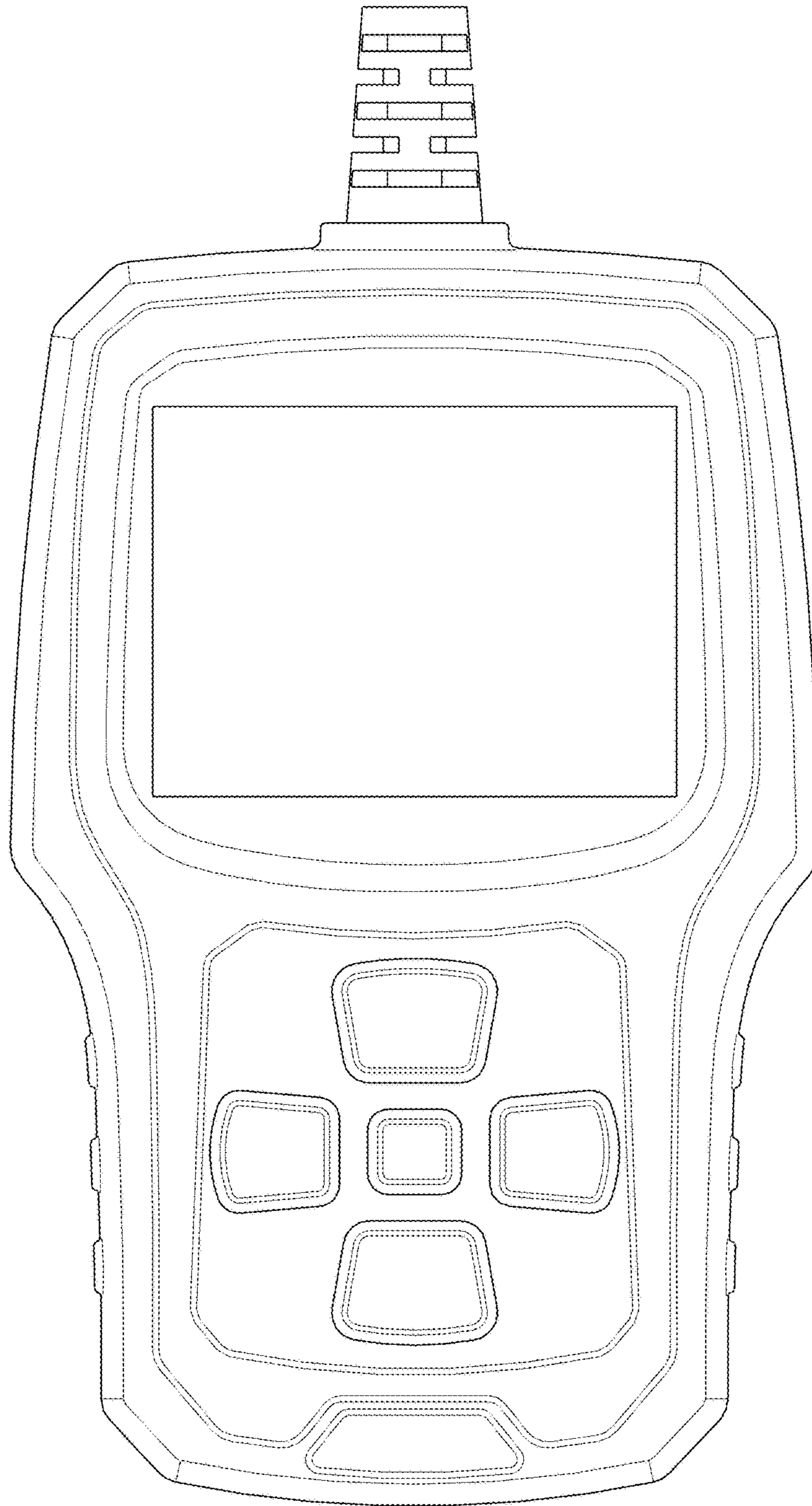


FIG. 4

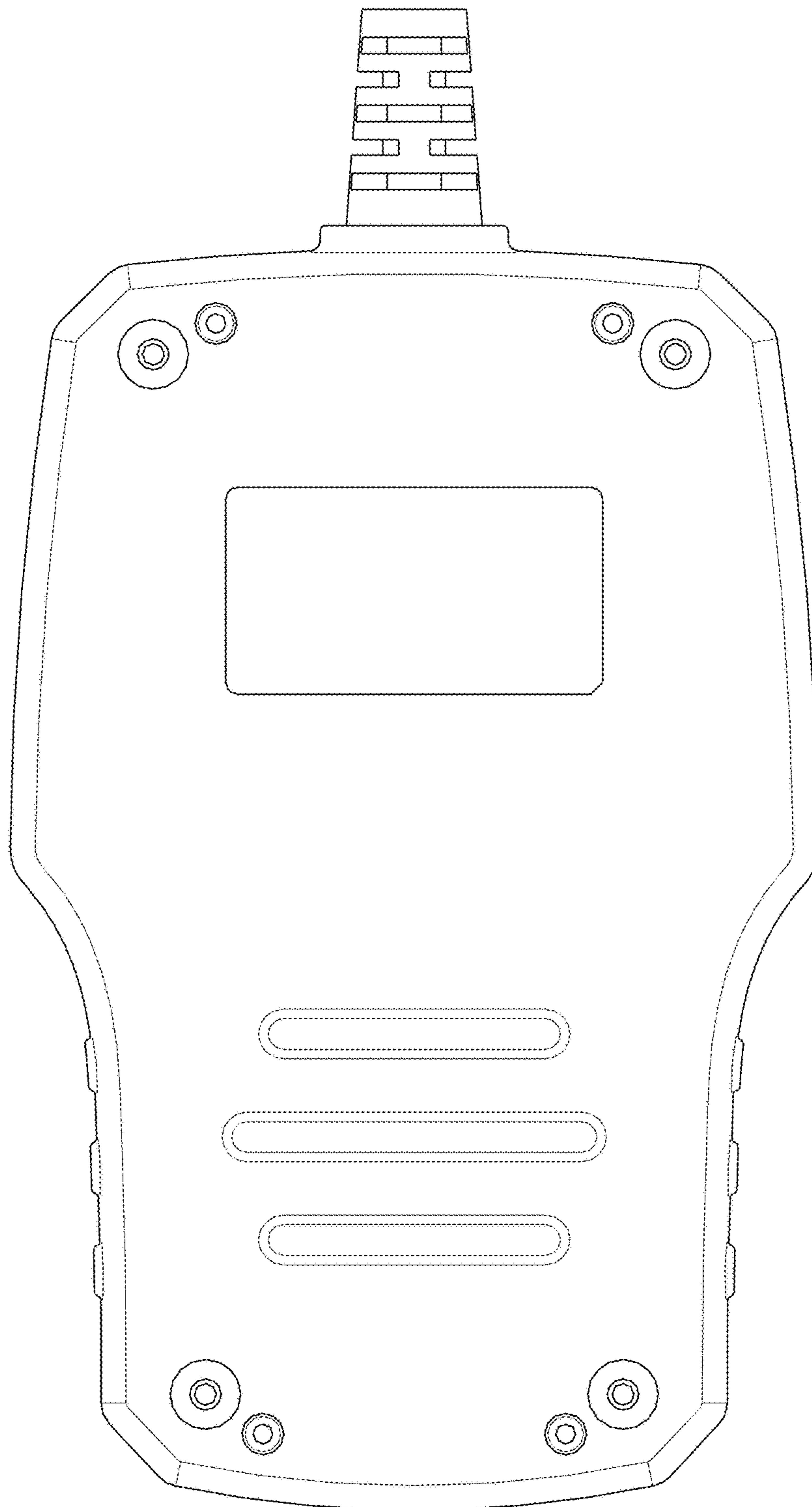


FIG. 5

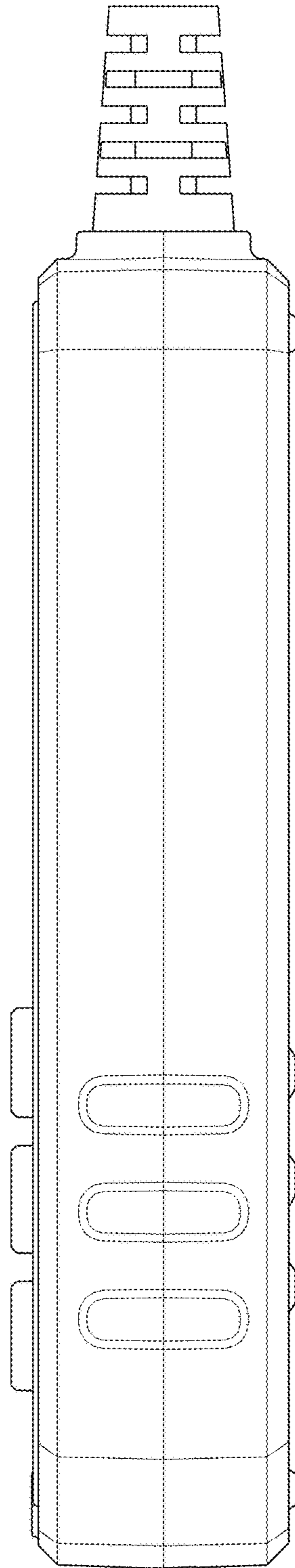


FIG. 6

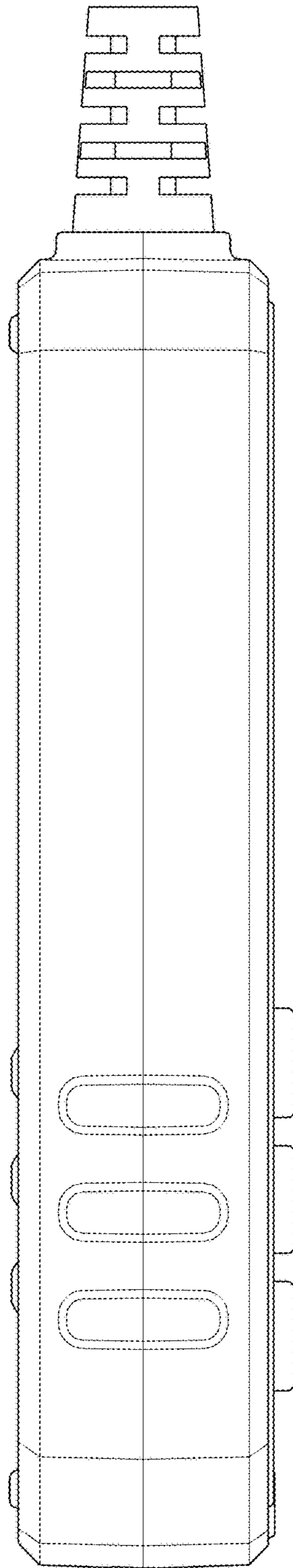


FIG. 7