



US00D852070S

(12) **United States Design Patent**
Lu

(10) **Patent No.: US D852,070 S**

(45) **Date of Patent: ** Jun. 25, 2019**

(54) **LASER DEMARCATION INSTRUMENT**

(71) Applicant: **Changzhou Mideker Optoelectronic Technology Co., Ltd, Tianning (CN)**

(72) Inventor: **Jian Lu, Tianning (CN)**

(**) Term: **15 Years**

(21) Appl. No.: **29/632,746**

(22) Filed: **Jan. 9, 2018**

(51) **LOC (11) Cl. 10-04**

(52) **U.S. Cl.**
USPC **D10/65; D10/70**

(58) **Field of Classification Search**
USPC D10/46, 65, 70
CPC G01B 11/26; G01B 11/27; G01B 11/272;
G01B 11/275; G01B 11/2755; G01C
15/002; G01C 15/004; G01C 15/006;
G01C 15/008; G01C 15/02; G01C 15/00;
G01C 15/04; G01C 15/06; G01C 15/08;
G01C 15/10; G01C 15/105; G01C 15/12;
G01C 15/14

See application file for complete search history.

(56) **References Cited**

U.S. PATENT DOCUMENTS

D421,229 S * 2/2000 Imai D10/70
D582,303 S * 12/2008 Keller D10/70
D678,788 S * 3/2013 Kollmann D10/70

* cited by examiner

Primary Examiner — Antoine Duval Davis

(74) *Attorney, Agent, or Firm* — Prakash Nama; Global IP Services, PLLC

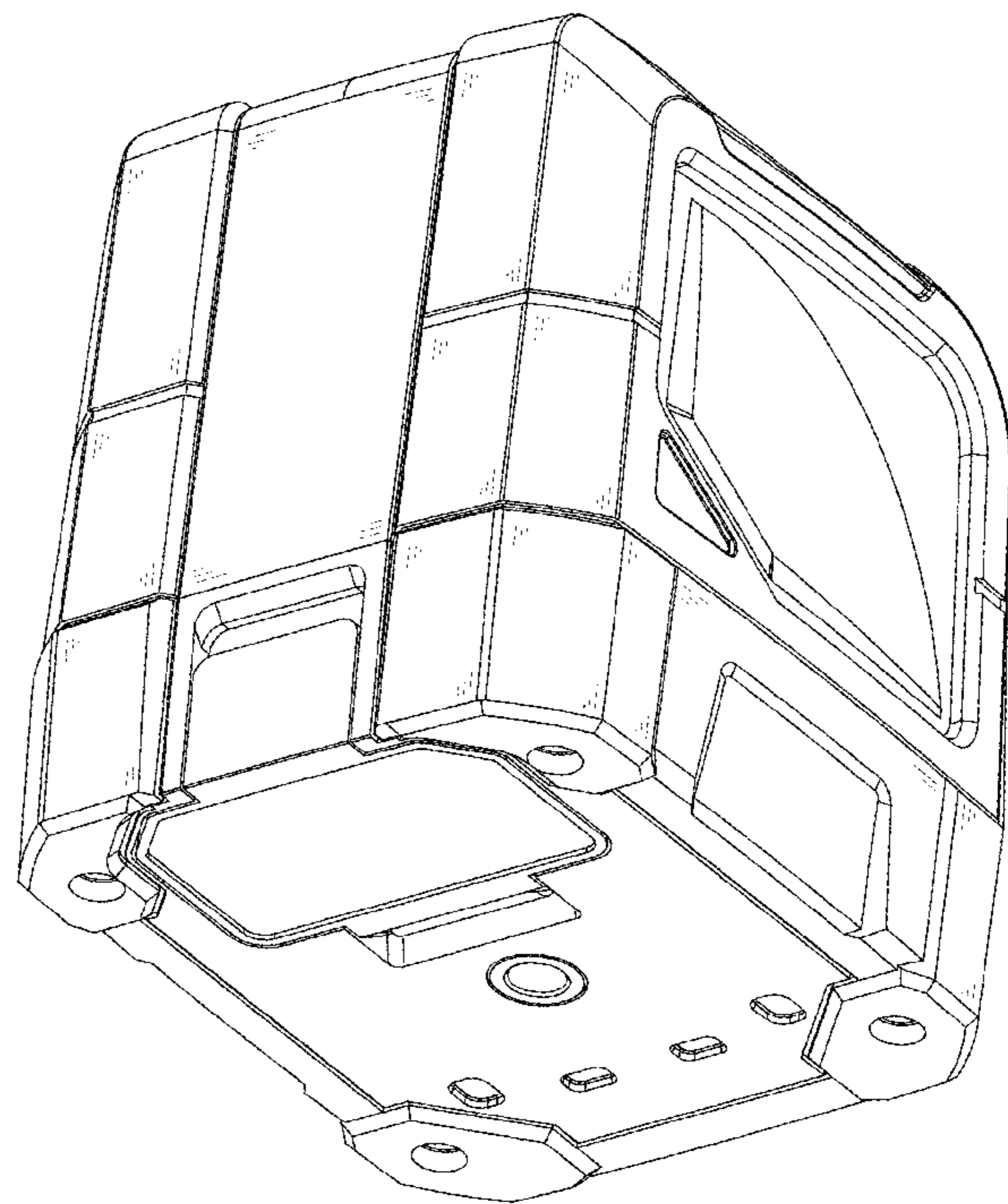
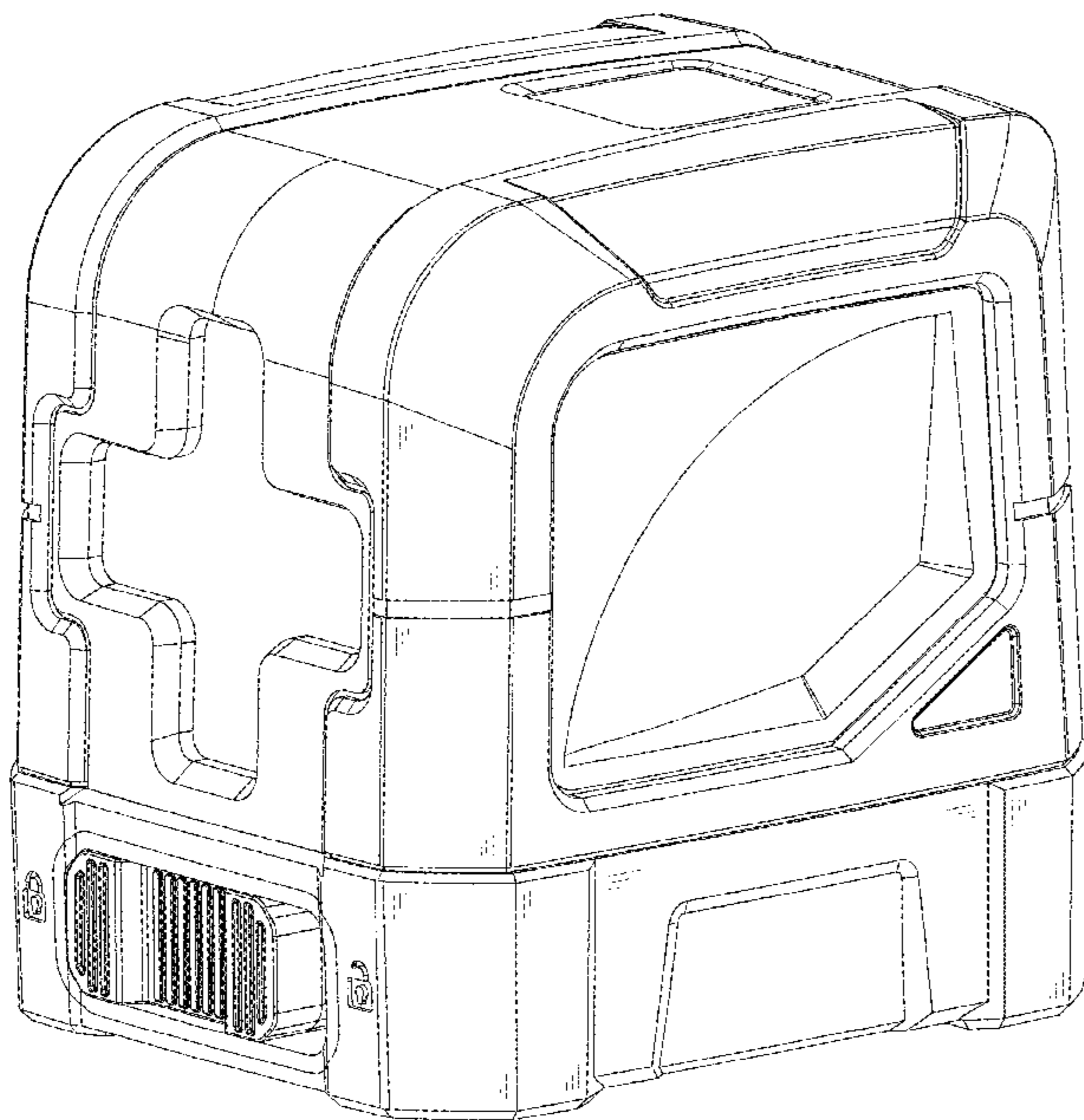
(57) **CLAIM**

The ornamental design for a laser demarcation instrument, as shown.

DESCRIPTION

FIG. 1 is a front elevational view of a Laser demarcation instrument showing my new design; FIG. 2 is a rear elevational view thereof; FIG. 3 is a left side view thereof; FIG. 4 is a right side view thereof; FIG. 5 is a top plan view thereof; FIG. 6 is a bottom plan view thereof; FIG. 7 is a perspective view thereof; and, FIG. 8 is another perspective view thereof.

1 Claim, 8 Drawing Sheets



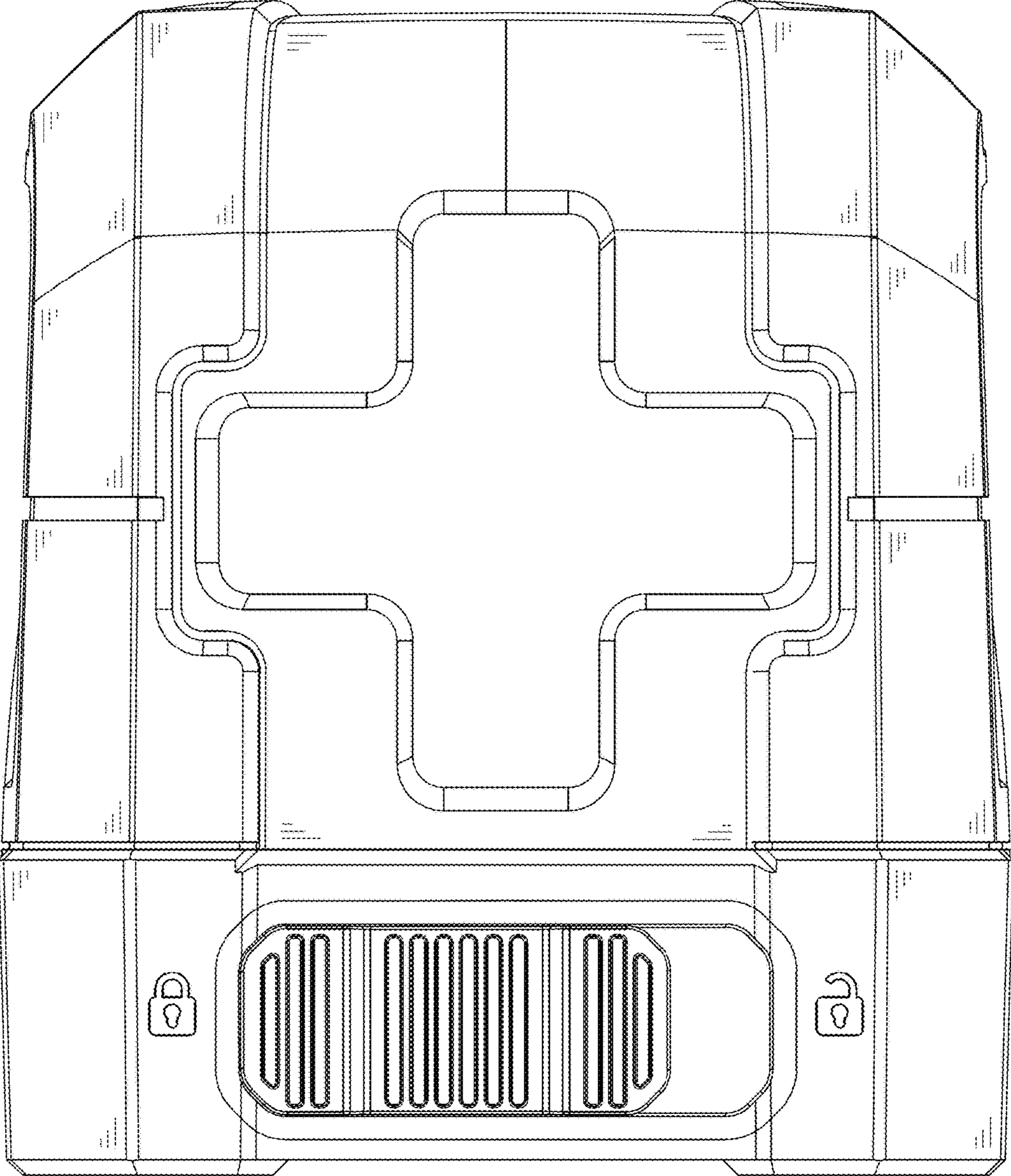


FIG. 1

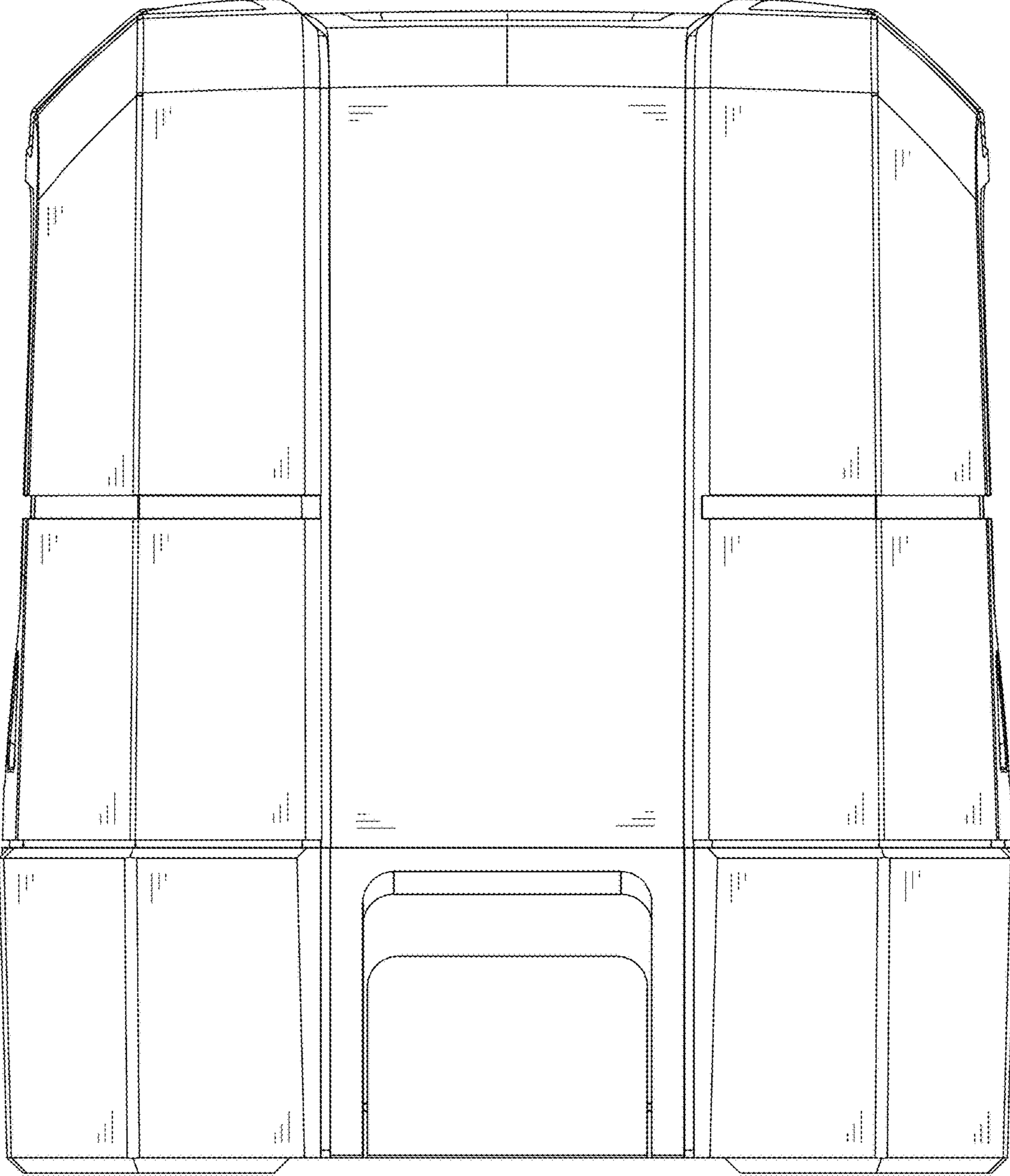


FIG. 2

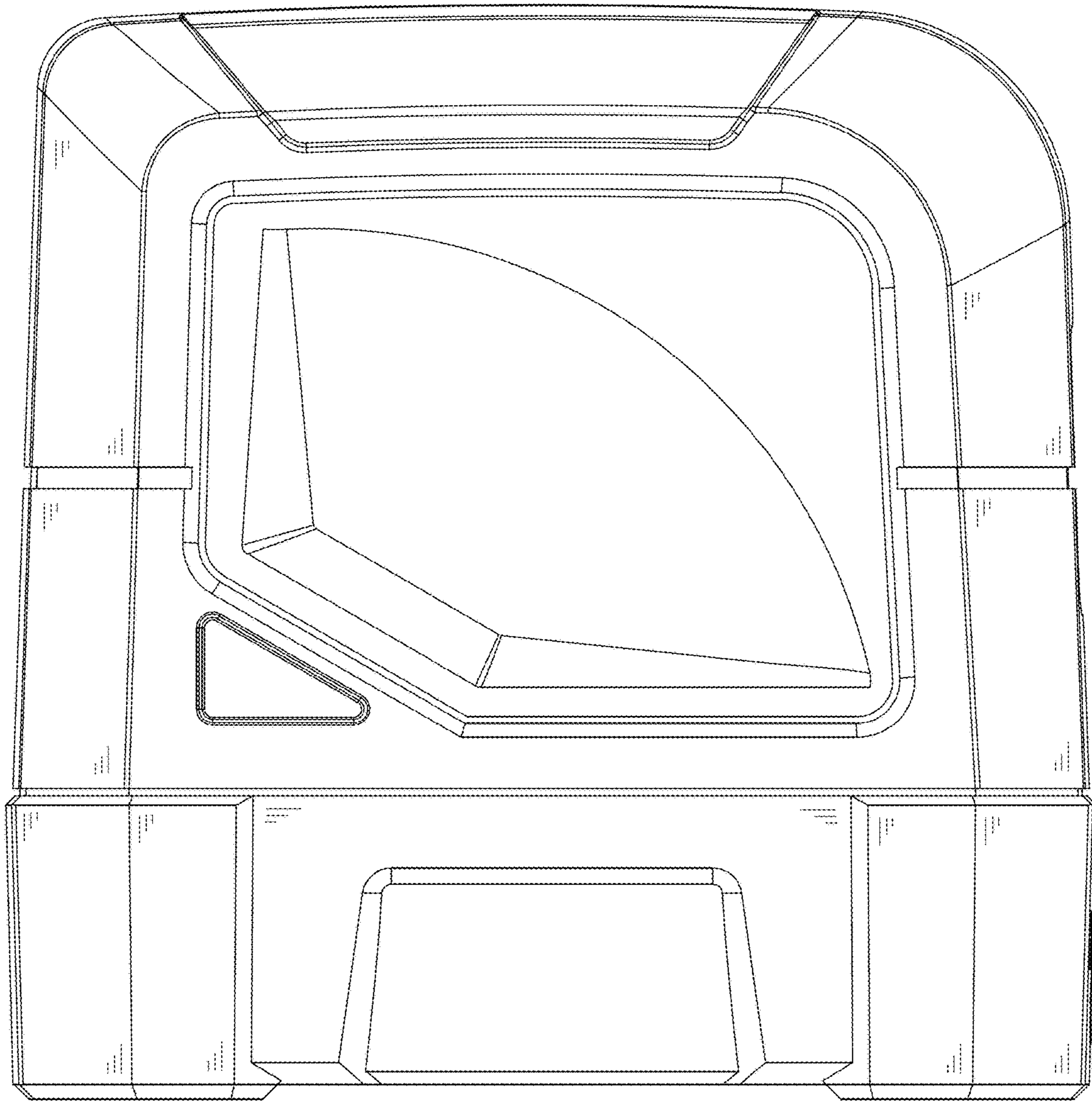


FIG. 3

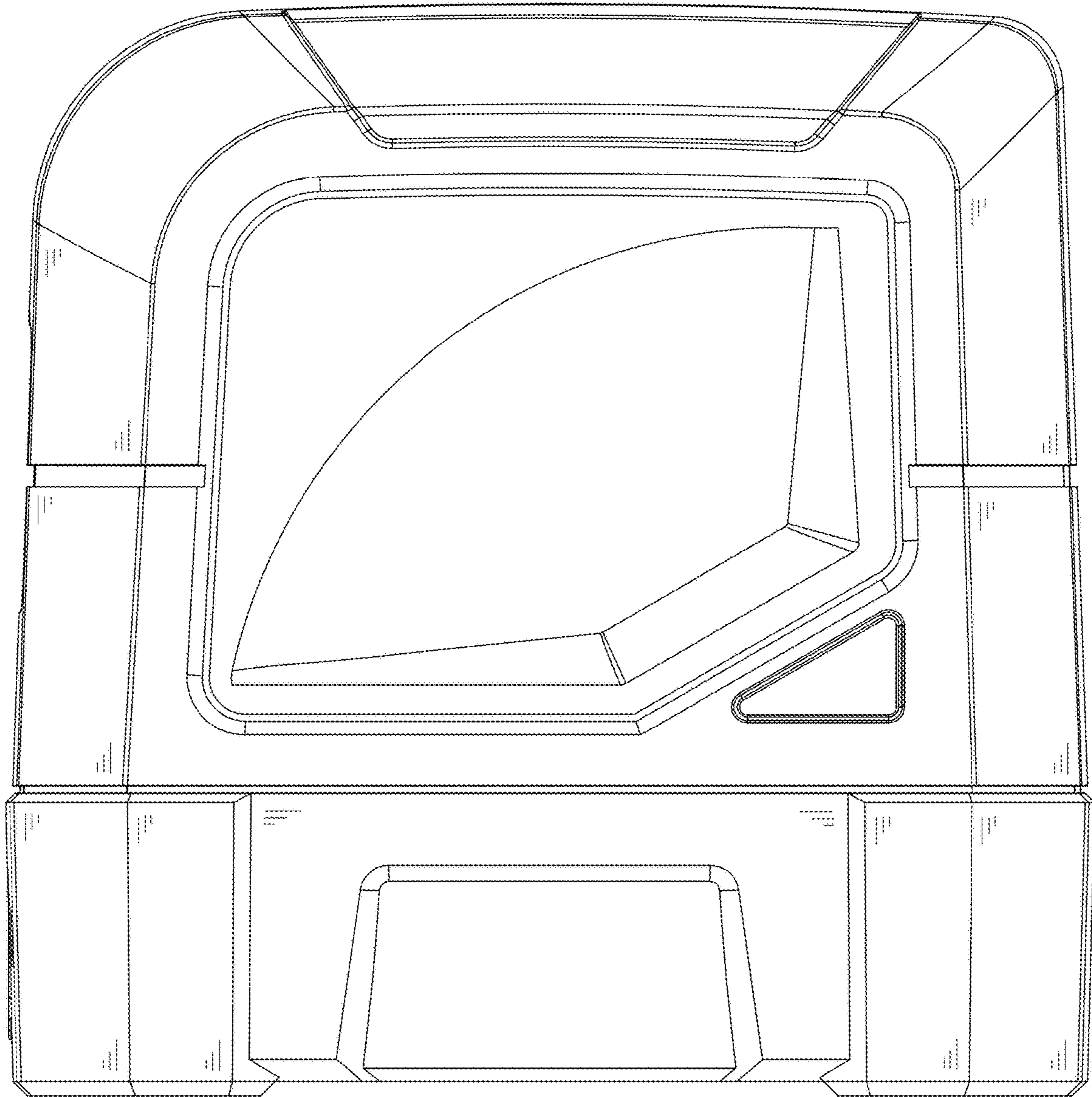


FIG. 4

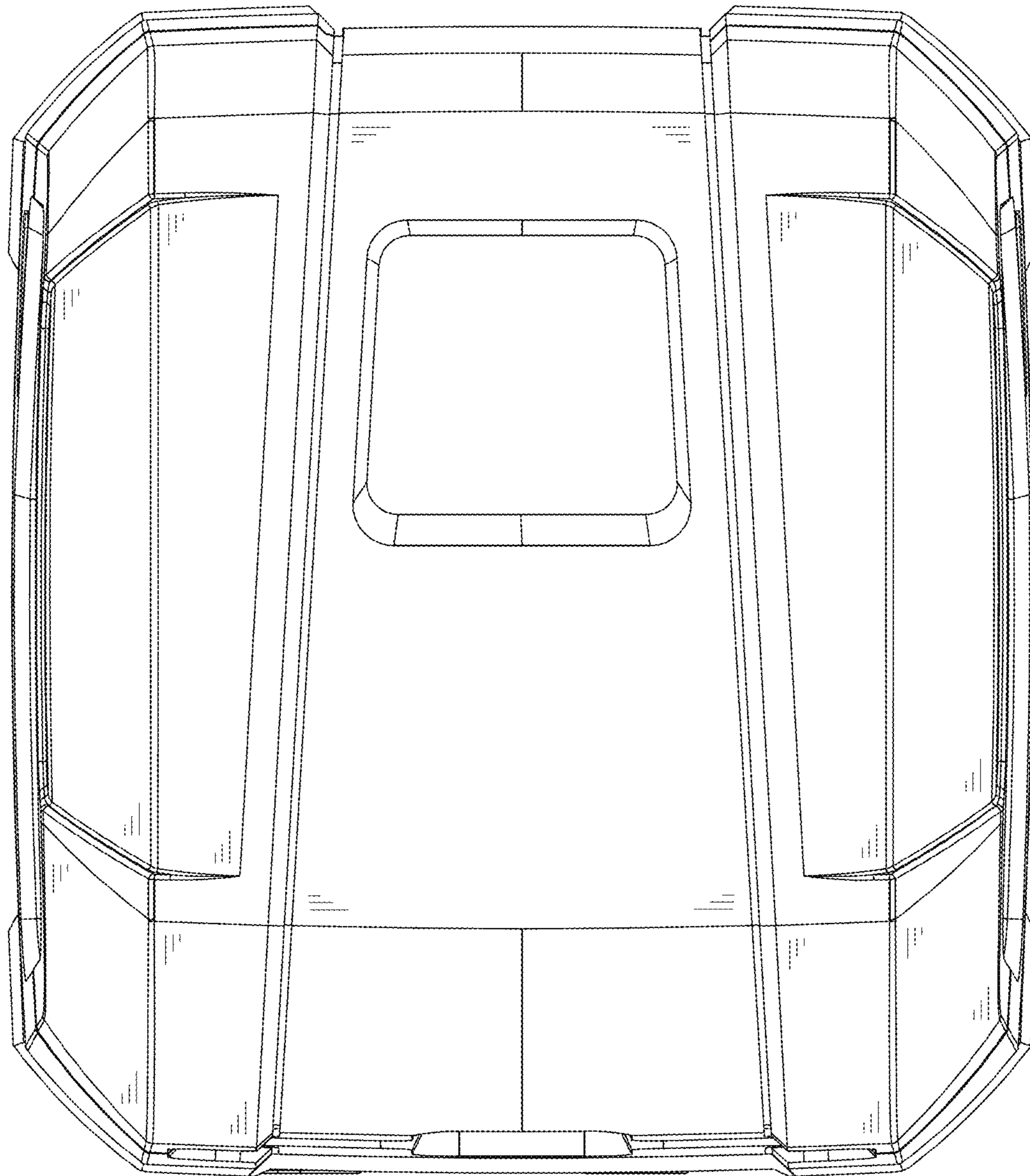


FIG. 5

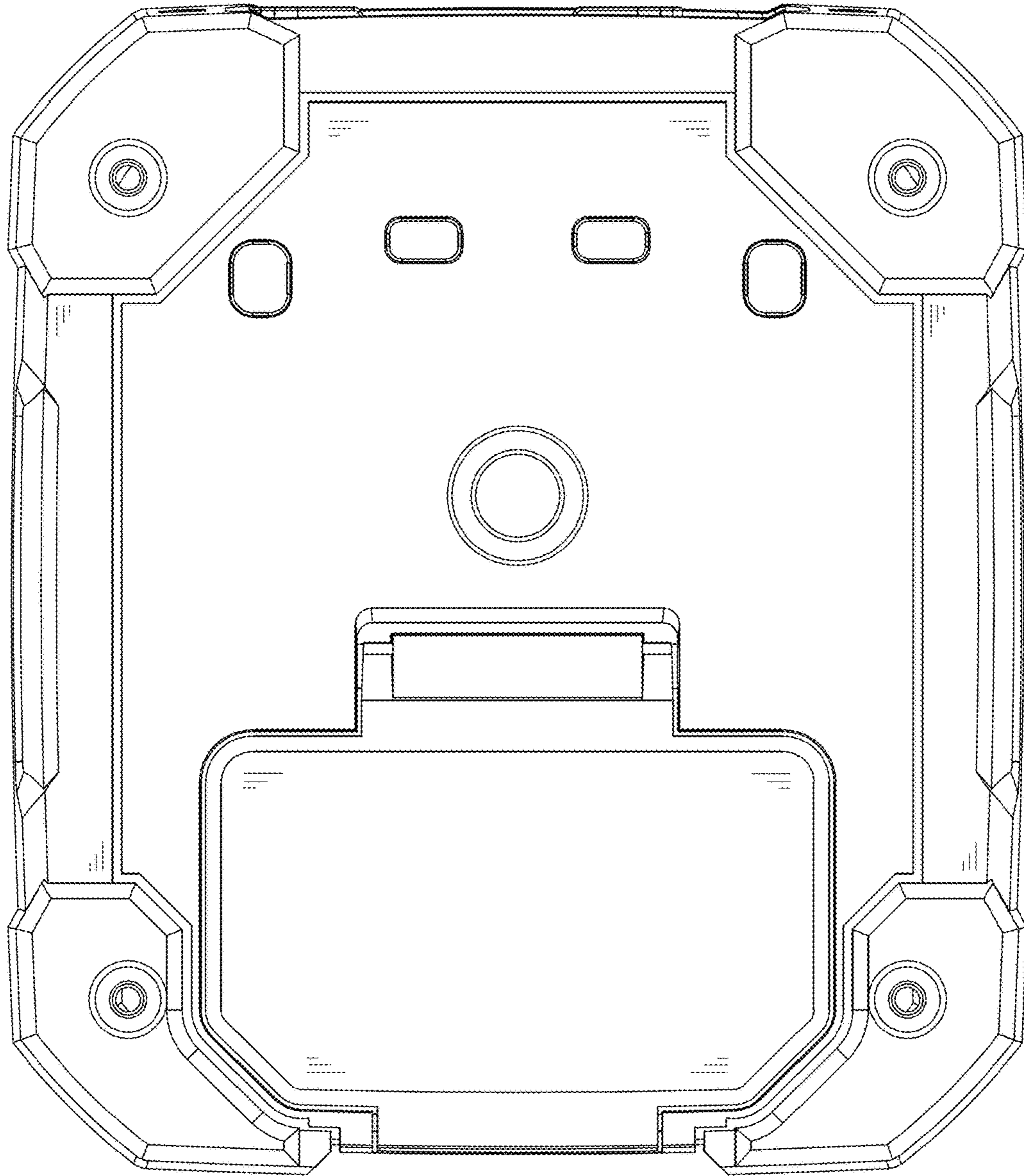


FIG. 6

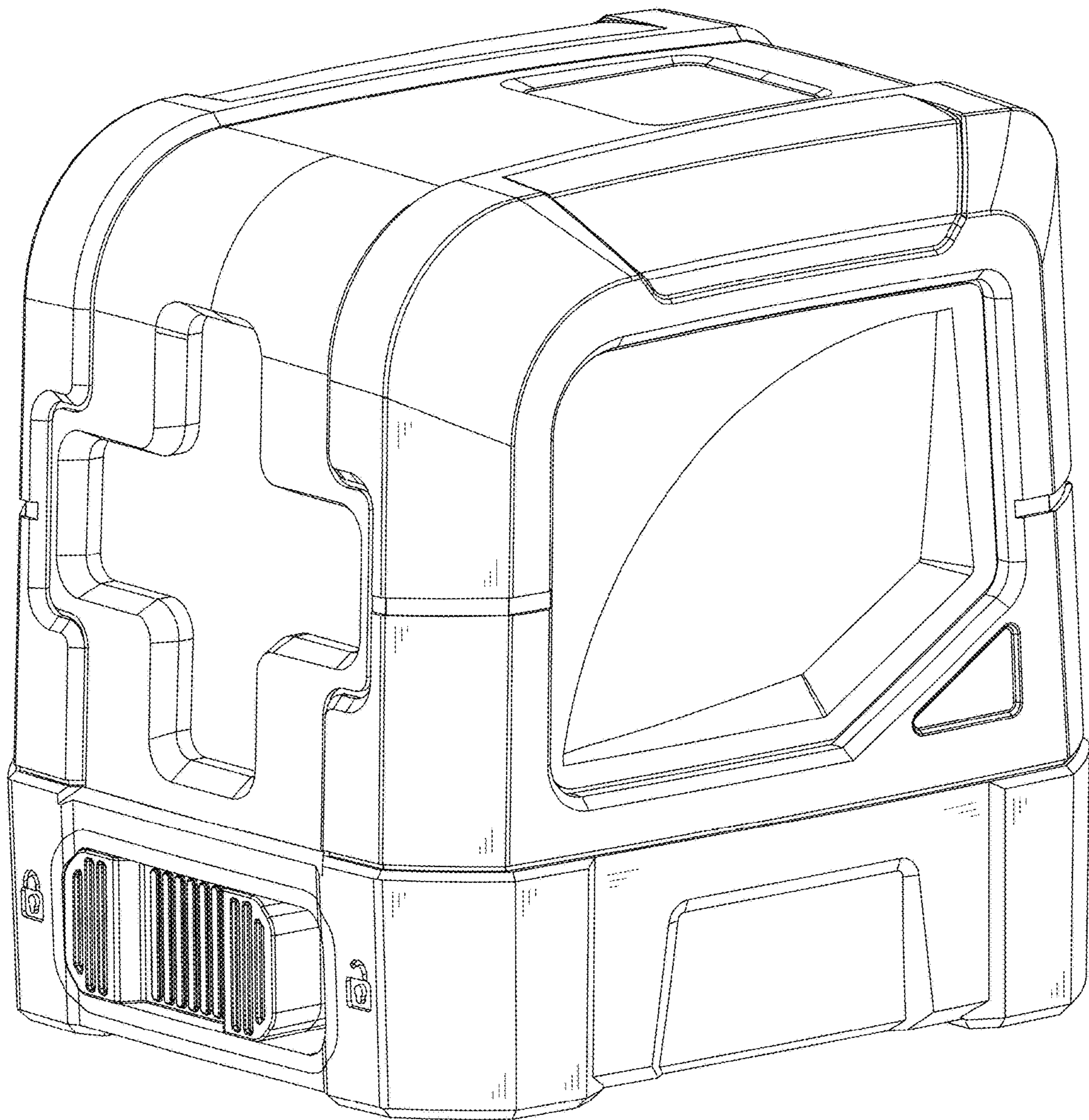


FIG. 7

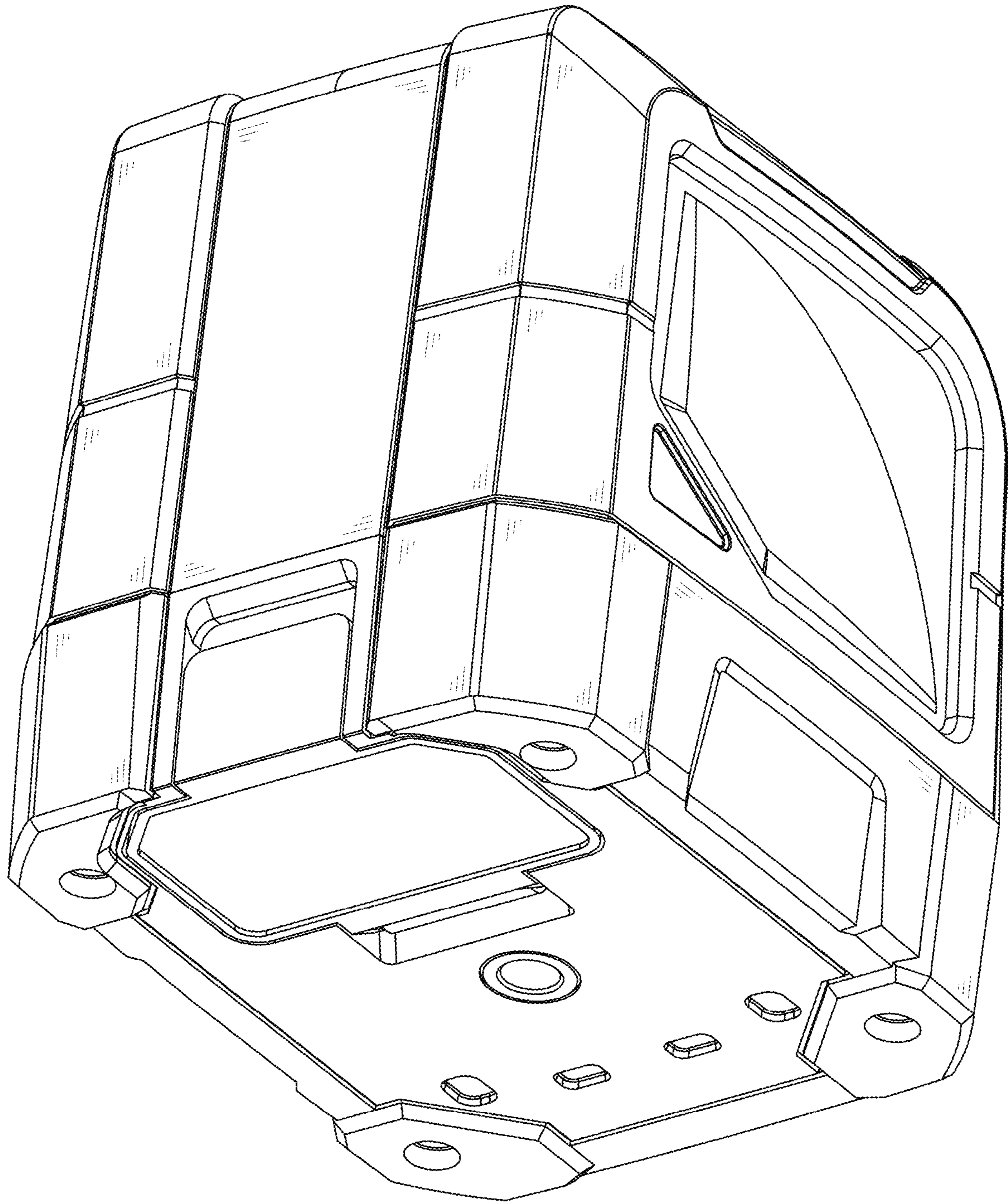


FIG. 8