



US00D852067S

(12) **United States Design Patent**
Ribbich et al.

(10) **Patent No.:** **US D852,067 S**
(45) **Date of Patent:** **** Jun. 25, 2019**

(54) **THERMOSTAT**

F24F 2011/0073; F24F 2011/0091; F24F
2011/0094; F24F 2011/0068; F24F
2011/0012; F24F

(71) Applicant: **Johnson Controls Technology
Company, Milwaukee, WI (US)**

(Continued)

(72) Inventors: **Joseph R. Ribbich**, Waukesha, WI
(US); **Julio A. Abdala**, SW Ranches,
FL (US); **Juan Guillermo Alvarez**,
Weston, FL (US); **Felippe M. Bicudo**,
Fort Lauderdale, FL (US); **Vinosh C.
Diptee**, Boynton Beach, FL (US);
Patricia Ellis Douglass, Pompano
Beach, FL (US); **Hao A. Nguyen**, Lake
Worth, FL (US); **Claudio Santiago
Ribeiro**, Evanston, IL (US); **Amit
Verma**, Sunrise, FL (US)

(56)

References Cited

U.S. PATENT DOCUMENTS

D255,013 S 5/1980 O'Brien et al.
D290,818 S 7/1987 Tomozawa et al.
(Continued)

OTHER PUBLICATIONS

Office Action for U.S. Appl. No. 29/548,334, dated Jan. 19, 2017,
9 pages.

(Continued)

Primary Examiner — Antoine Duval Davis

(74) *Attorney, Agent, or Firm* — Foley & Lardner LLP

(73) Assignee: **Johnson Controls Technology
Company, Auburn Hills, MI (US)**

(**) Term: **15 Years**

(21) Appl. No.: **29/617,389**

(22) Filed: **Sep. 13, 2017**

(57)

CLAIM

We claim the ornamental design for a thermostat, as shown
and described.

Related U.S. Application Data

(63) Continuation of application No. 29/610,694, filed on
Jul. 14, 2017, which is a continuation-in-part of
(Continued)

(51) **LOC (11) Cl.** **10-04**

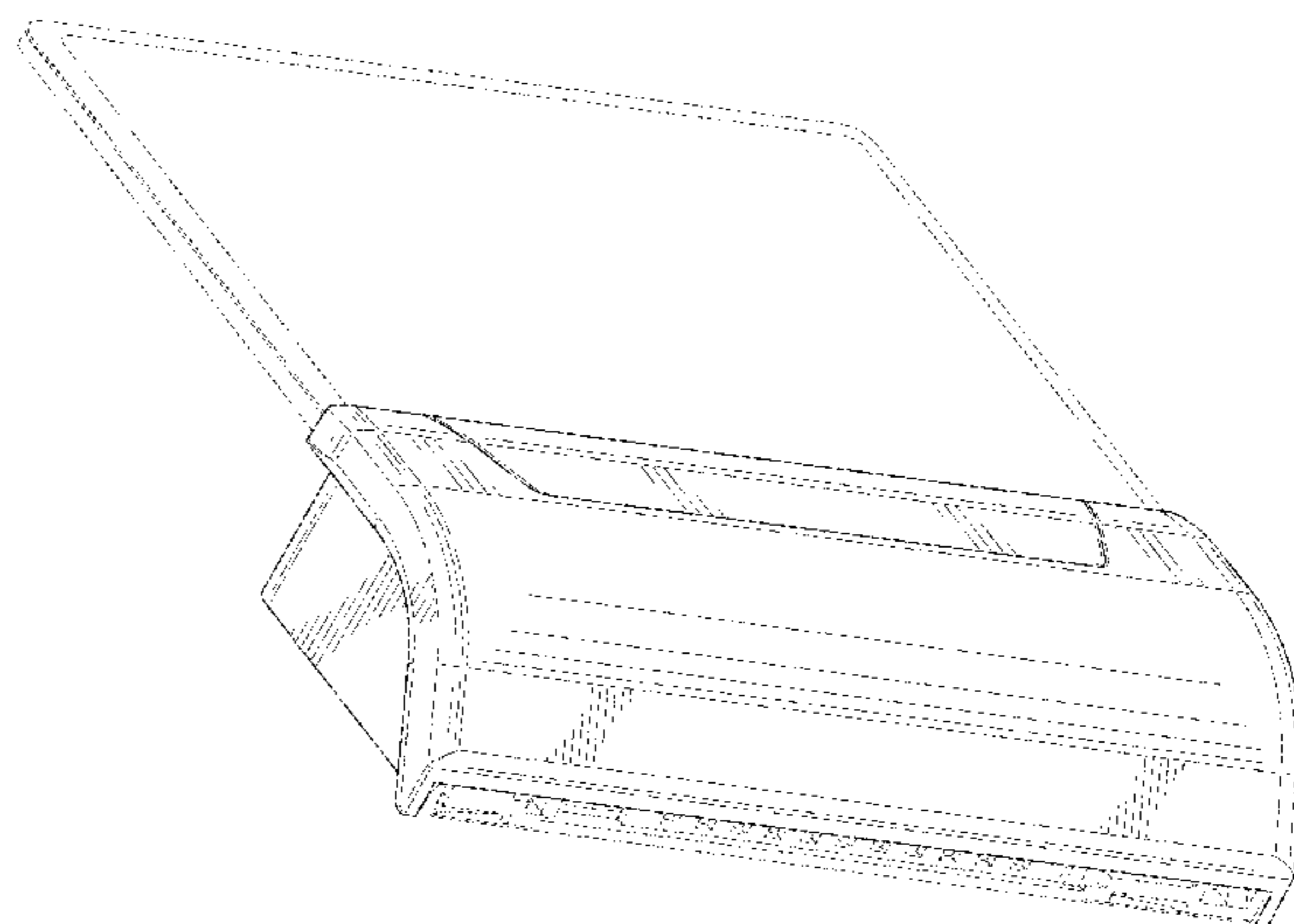
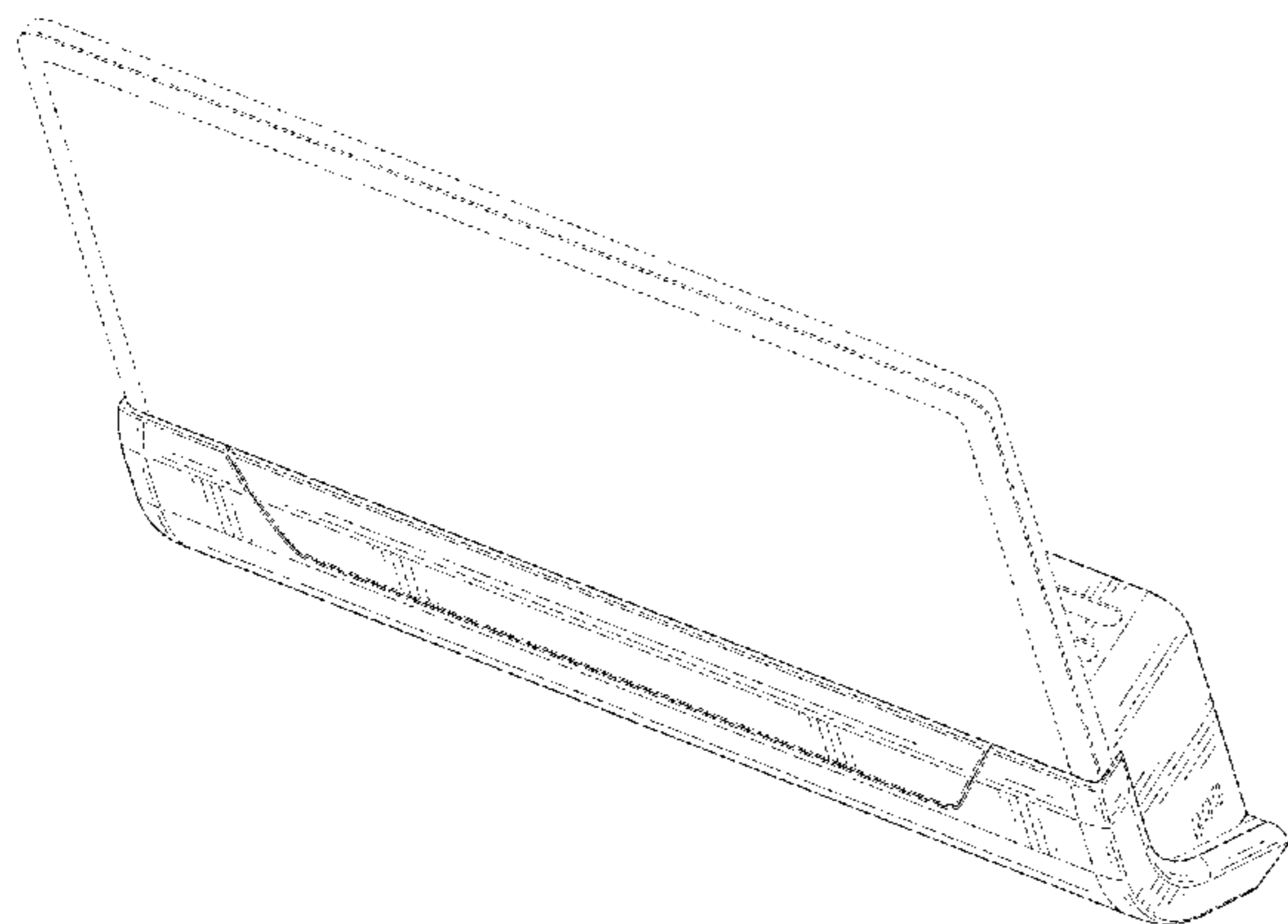
(52) **U.S. Cl.**
USPC **D10/49; D10/60; D13/162**

(58) **Field of Classification Search**
USPC **D10/49, 50, 60; D13/162, 162.1, 177**
CPC . **F23N 5/20; F23N 5/203; F23N 5/206; F23N**
5/18; F23N 5/184; F23N 5/187; F23N
5/22; F23N 2025/12; F23N 2041/02;
F24F 11/00; F24F 11/0012; F24F
11/0009; F24F 11/001; F24F 2011/0057;

DESCRIPTION

FIG. 1 is a front perspective view from above of a thermostat
according to the claimed design;
FIG. 2 is a front perspective view from below of the claimed
design of FIG. 1;
FIG. 3 is a front side view of the claimed design of FIG. 1;
FIG. 4 is a rear side view of the claimed design of FIG. 1;
FIG. 5 is a right side view of the claimed design of FIG. 1;
FIG. 6 is a left side view of the claimed design of FIG. 1;
FIG. 7 is a top view of the claimed design of FIG. 1; and,
FIG. 8 is a bottom view of the claimed design of FIG. 1.
The broken lines in the drawings form no part of the claimed
design.

1 Claim, 6 Drawing Sheets



Related U.S. Application Data

application No. 29/563,447, filed on May 4, 2016, now Pat. No. Des. 810,591, which is a continuation-in-part of application No. 29/548,334, filed on Dec. 11, 2015, now Pat. No. Des. 790,369.

(58) **Field of Classification Search**

CPC 2011/0015; F24F 2011/0017; F24F 11/50; F24F 11/63; F24F 2110/10; F21V 11/16; F21V 33/10; G05B 19/042; G05D 23/01; G05D 23/12; G05D 23/275; G05D 23/1902; G05D 23/1904; G05D 23/27502; G05D 23/27503; G05D 23/1919; G05D 23/19; G05D 23/2723; G05D 23/00; G09F 13/22; G09F 9/53; G06F 1/1684; G06F 1/30; G06F 3/0362; G06F 3/038; G06F 3/041; G06F 3/0412; H05B 33/0854; H05B 37/0218; H05B 37/0236; H05B 37/0227; H05K 5/0017; H05K 5/0243; H05K 5/00; H05K 5/03; H04M 2250/12; H04M 2250/22; G05G 15/02

See application file for complete search history.

(56) **References Cited**

U.S. PATENT DOCUMENTS

D506,150 S	6/2005	Backlund et al.
D506,687 S	6/2005	Takach et al.
D506,689 S	6/2005	Backlund et al.
D509,151 S	9/2005	Takach et al.
D520,386 S	5/2006	Takach et al.
D520,885 S	5/2006	Takach et al.
D524,663 S	7/2006	Moore
D525,154 S	7/2006	Moore
D525,541 S	7/2006	Barton et al.
D527,288 S	8/2006	Moore
D527,658 S	9/2006	Moore
D530,633 S	10/2006	Moore
D531,526 S	11/2006	Barton et al.
D531,527 S	11/2006	Moore
D531,528 S	11/2006	Moore
D533,793 S	12/2006	Moore
D534,088 S	12/2006	Moore
D534,443 S	1/2007	Moore
D535,572 S	1/2007	Takach et al.
D535,573 S	1/2007	Barton et al.
D536,271 S	2/2007	Moore
D541,184 S	4/2007	Barton et al.
D542,677 S	5/2007	Barton et al.
D551,577 S	9/2007	Barton et al.
D553,022 S	10/2007	McGuire et al.
D556,060 S	11/2007	McGuire et al.
D556,607 S	12/2007	Beland et al.
D556,608 S	12/2007	Rhodes
D556,609 S	12/2007	Rhodes
RE40,190 E	4/2008	Takach et al.
D578,026 S	10/2008	Roher et al.

D580,801 S	11/2008	Takach et al.
D582,800 S	12/2008	Comerford et al.
D582,801 S	12/2008	Comerford et al.
D582,802 S	12/2008	Branson et al.
D582,803 S	12/2008	Comerford et al.
D589,822 S	4/2009	Rhodes
D590,730 S	4/2009	Simard et al.
D596,964 S	7/2009	Wang et al.
D610,027 S	2/2010	Li et al.
D646,990 S	10/2011	Rhodes
D655,210 S	3/2012	Narayanamurthy et al.
D659,560 S	5/2012	Rhodes
D662,837 S	7/2012	Morrow
D662,838 S	7/2012	Morrow
D662,839 S	7/2012	Morrow
D662,840 S	7/2012	Morrow
D663,224 S	7/2012	Morrow
D666,508 S	9/2012	Beland et al.
D666,509 S	9/2012	Beland et al.
D666,510 S	9/2012	Beland et al.
D667,740 S	9/2012	Leung
D672,666 S	12/2012	Rhodes et al.
D678,084 S	3/2013	Beland et al.
D688,955 S	9/2013	Deligiannis et al.
D699,130 S	2/2014	Rhodes et al.
D705,095 S	5/2014	Steinberg et al.
D715,165 S	10/2014	Deligiannis et al.
D715,166 S	10/2014	Rhodes
D720,633 S	1/2015	Novotny et al.
D725,524 S	3/2015	Takach et al.
D737,153 S	8/2015	Lombard et al.
D750,980 S	3/2016	Takach et al.
D795,716 S	8/2017	Aburatani
D810,591 S *	2/2018	Ribbich D10/60
9,890,971 B2 *	2/2018	Ribbich F24F 11/30
9,964,328 B2 *	5/2018	Ribbich F24F 11/30
10,162,327 B2	12/2018	Sinha et al.
2016/0327298 A1	11/2016	Sinha et al.
2016/0327299 A1 *	11/2016	Ribbich F24F 11/30
2016/0327301 A1	11/2016	Ribbich et al.
2016/0327921 A1	11/2016	Ribbich et al.
2017/0122613 A1	5/2017	Sinha et al.
2017/0122617 A1	5/2017	Sinha et al.
2017/0123391 A1	5/2017	Sinha et al.
2017/0124838 A1	5/2017	Sinha et al.
2017/0124842 A1	5/2017	Sinha et al.
2017/0234562 A1 *	8/2017	Ribbich G05D 23/1923 700/277

OTHER PUBLICATIONS

Notice of Allowance for U.S. Appl. No. 29/548,334, dated Mar. 30, 2017, 8 pages.
 Office Action for U.S. Appl. No. 29/563,447, dated Jul. 5, 2017, 9 pages.
 Office Action for U.S. Appl. No. 29/608,761, dated Jan. 16, 2018, 15 pages.
 QM weather. on Behance, available at <https://www.behance.net/gallery/55044047/QM-weather>, published on Jul. 24, 2017, downloaded on Jan. 1, 2019.

* cited by examiner

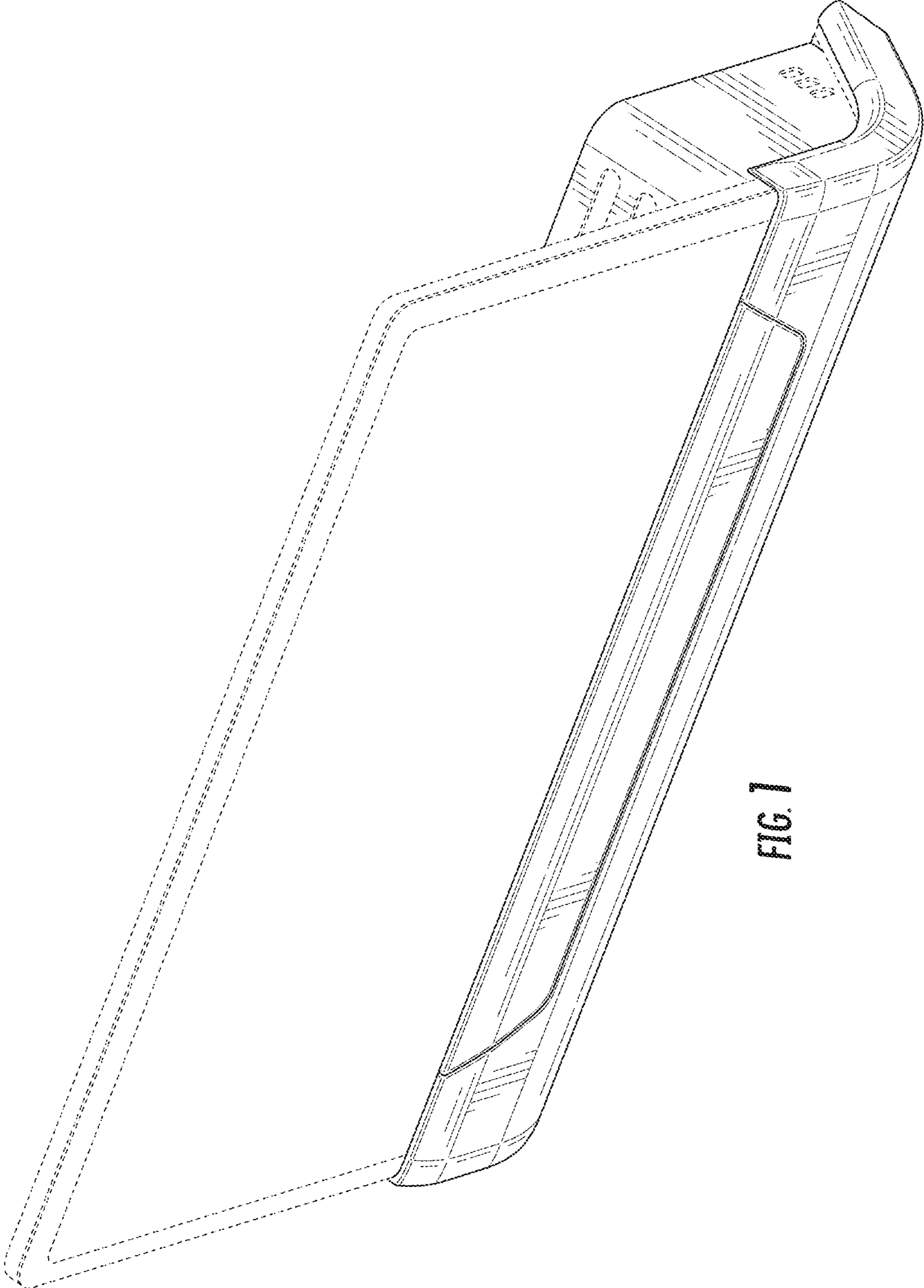


FIG. 1

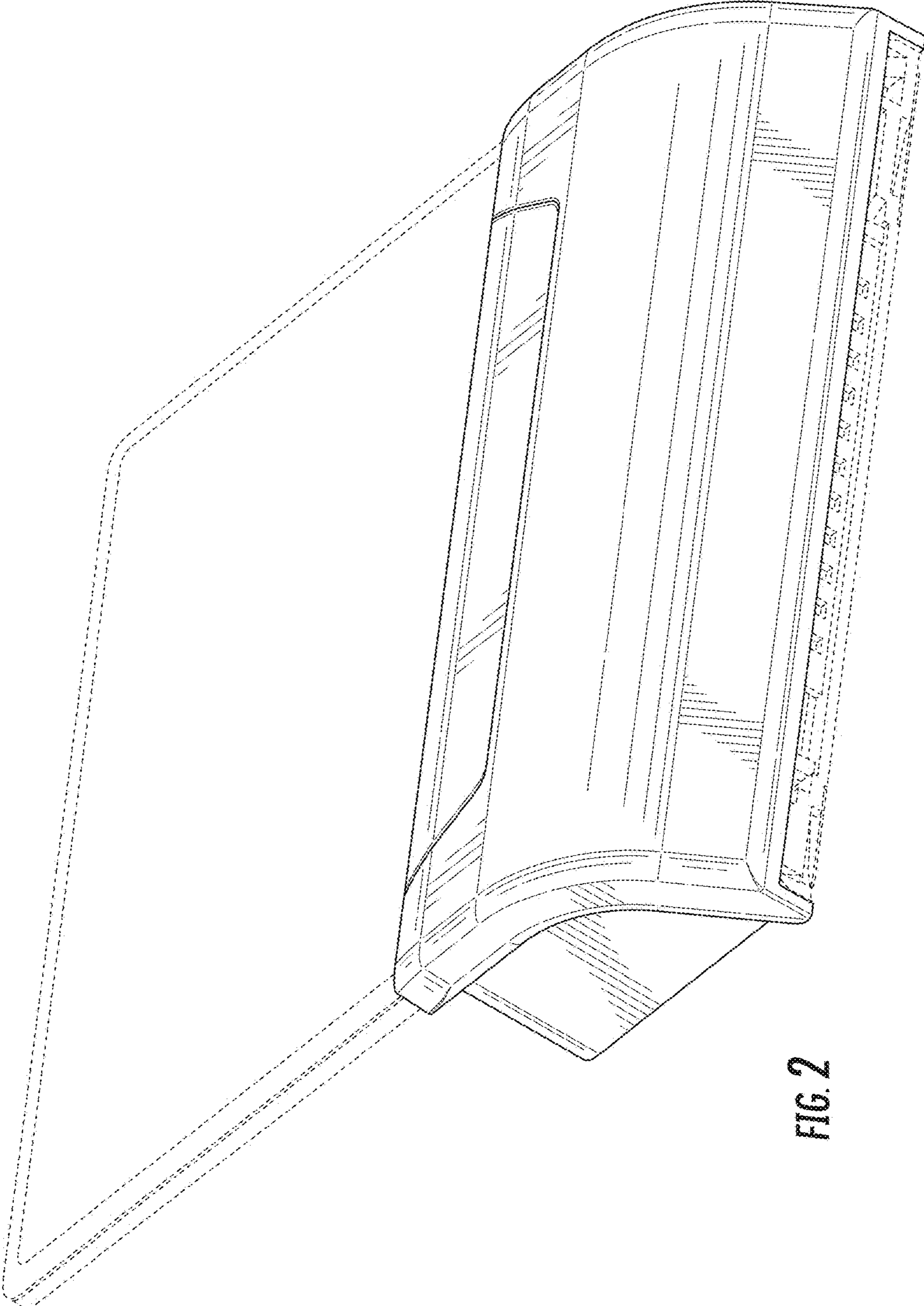


FIG. 2

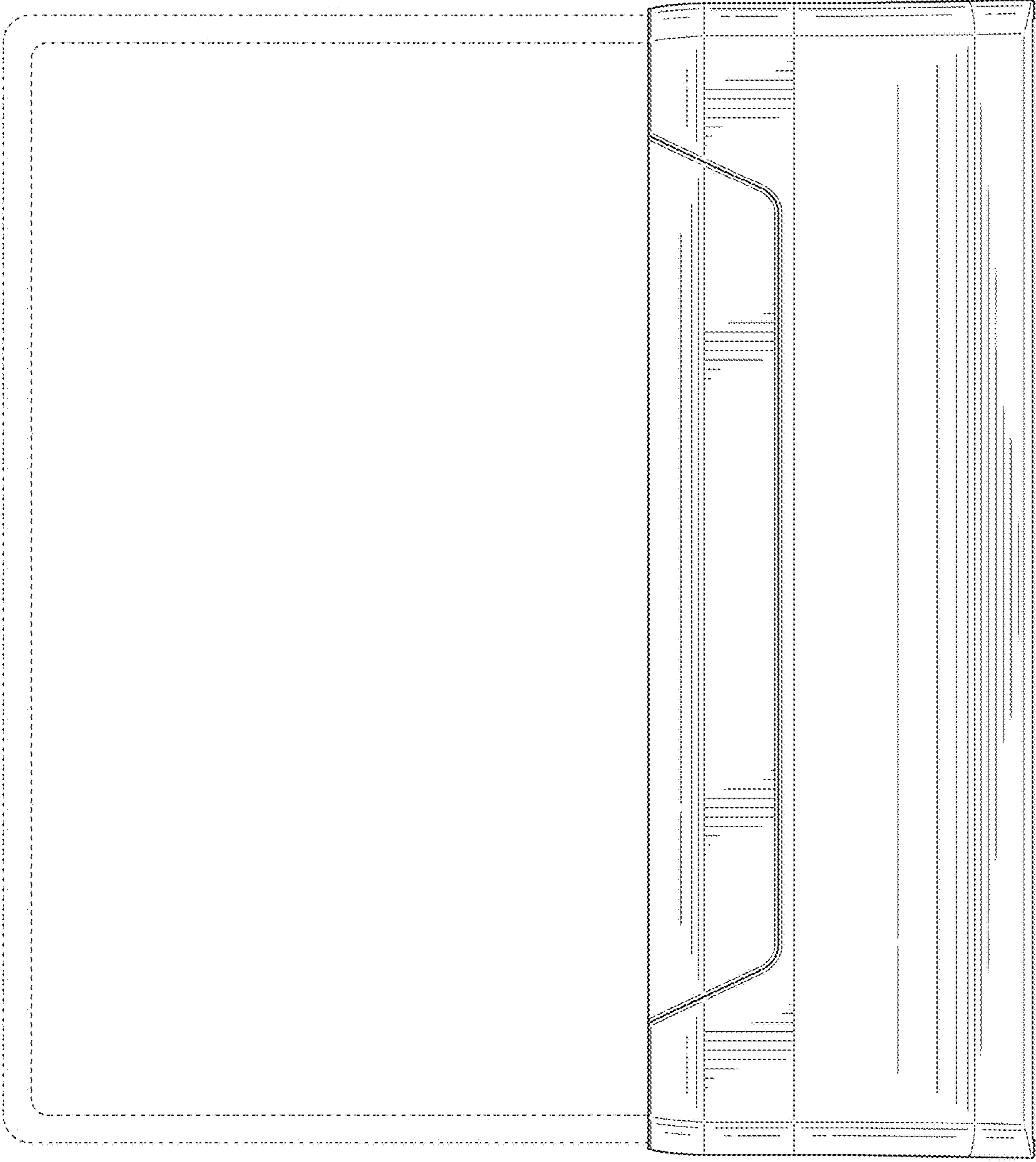


FIG. 3

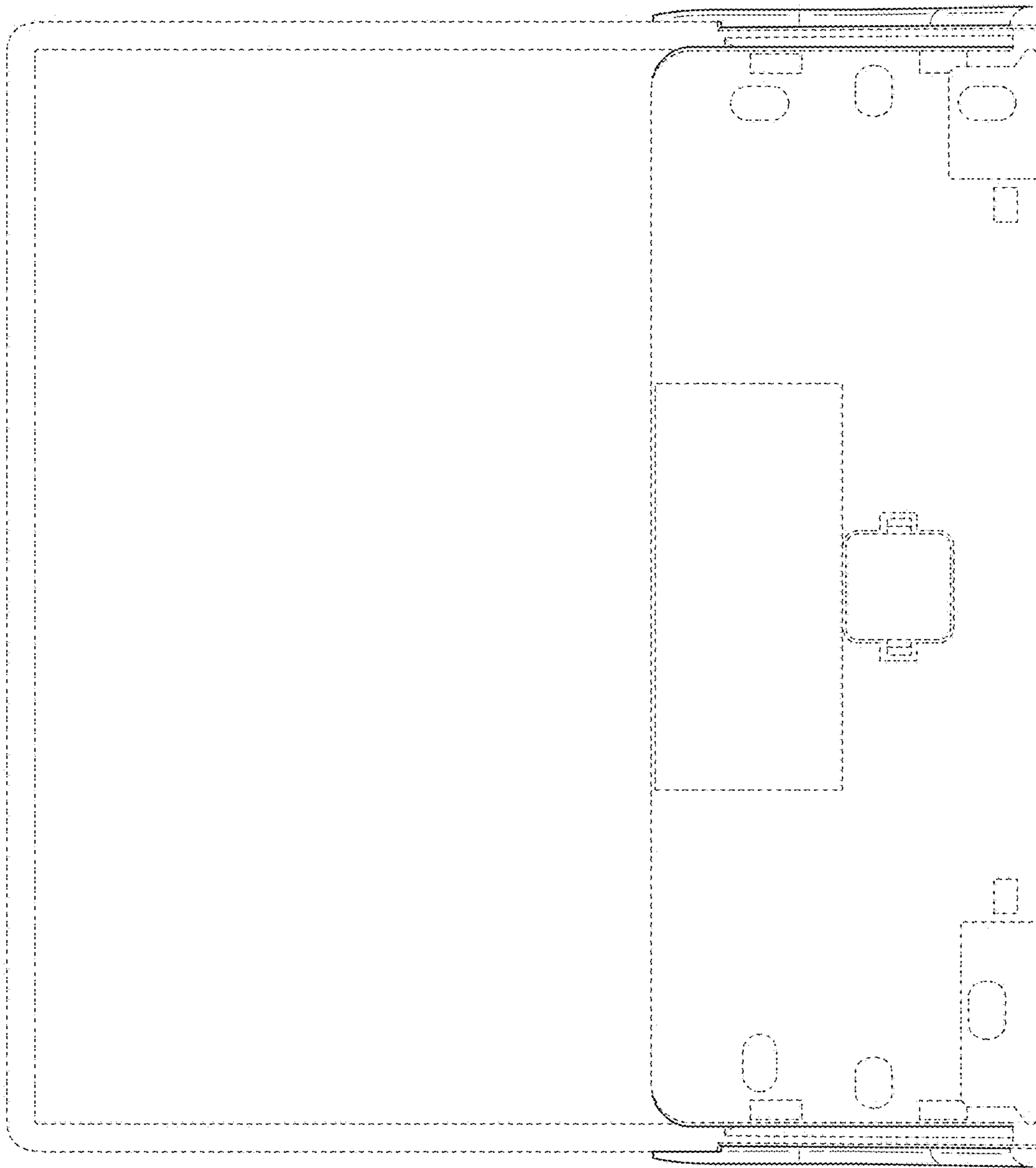


FIG. 4

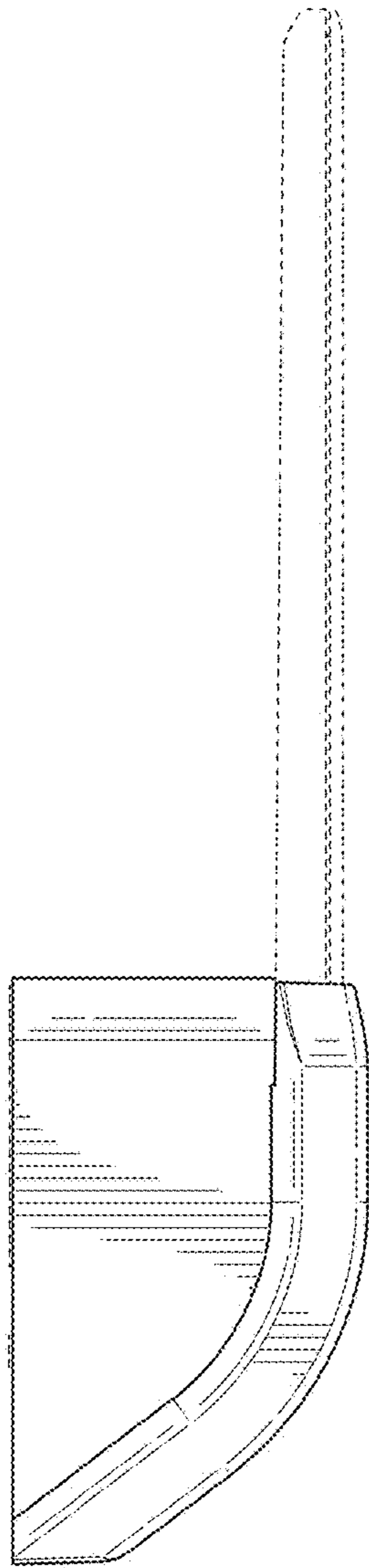


FIG. 5

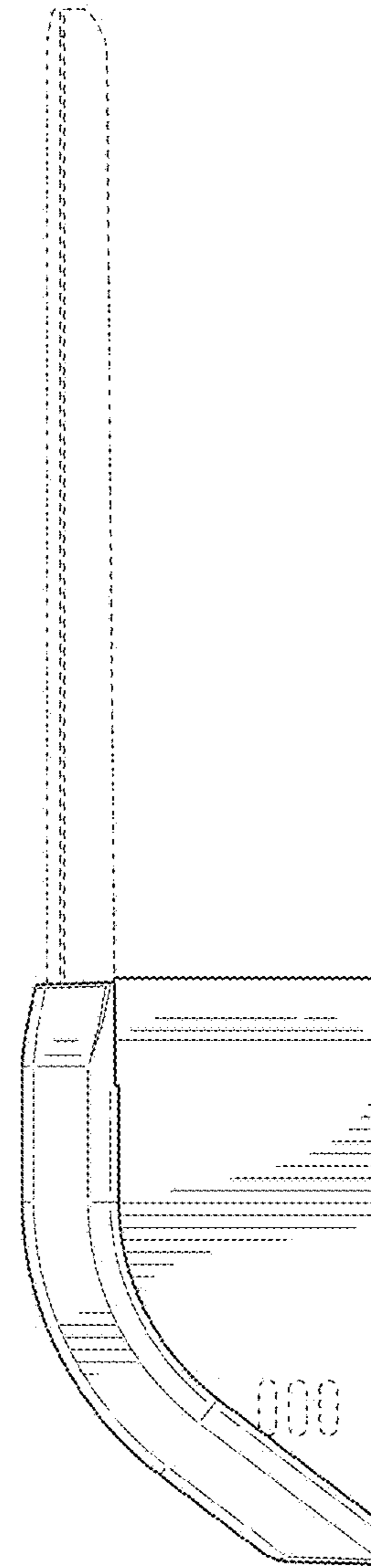


FIG. 6

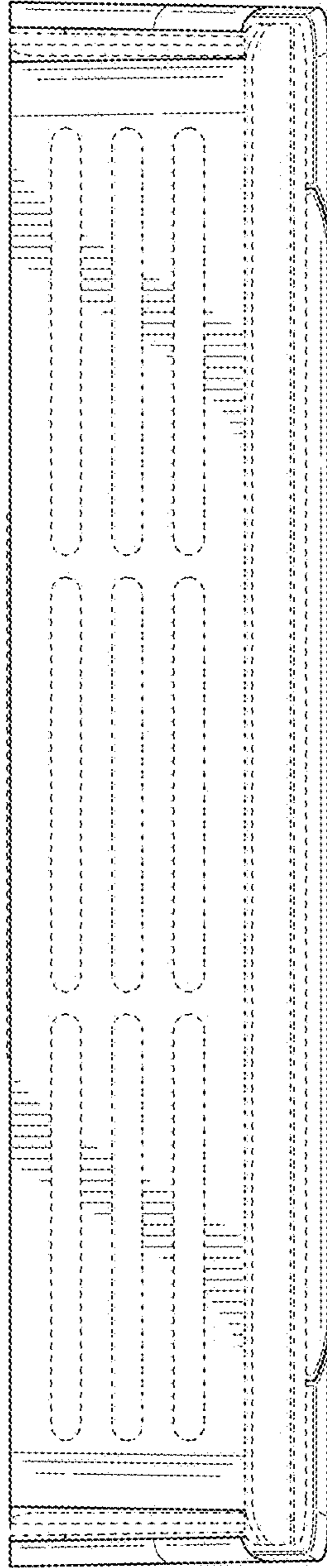


FIG. 7

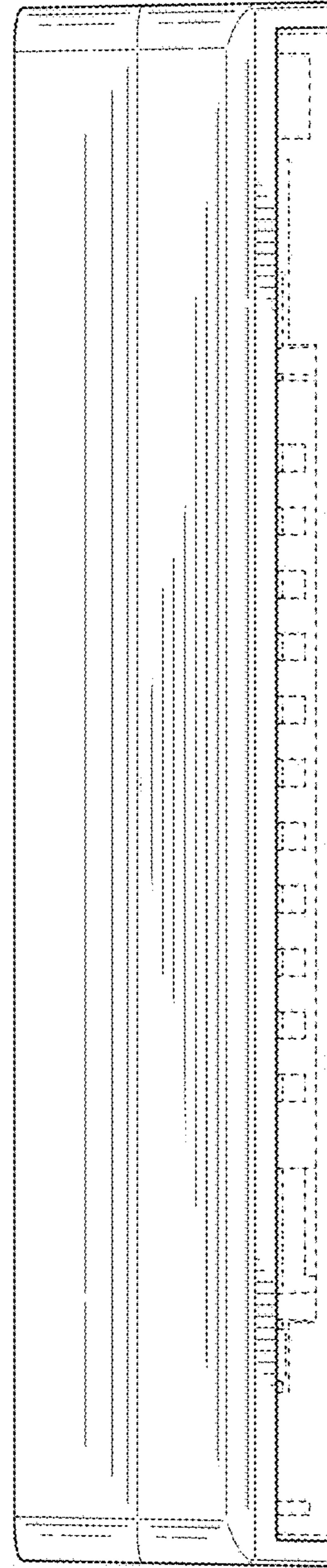


FIG. 8