



US00D852066S

(12) **United States Design Patent**
Chang

(10) **Patent No.:** **US D852,066 S**
(45) **Date of Patent:** **** Jun. 25, 2019**

(54) **BILL OUTPUT CONTROL DEVICE**

(71) Applicant: **INTERNATIONAL CURRENCY TECHNOLOGIES CORPORATION,**
Taipei (TW)

(72) Inventor: **Chia-Min Chang,** Taipei (TW)

(73) Assignee: **INTERNATIONAL CURRENCY TECHNOLOGIES CORPORATION,**
Taipei (TW)

(**) Term: **15 Years**

(21) Appl. No.: **29/614,950**

(22) Filed: **Aug. 24, 2017**

(51) **LOC (11) Cl.** **10-04**

(52) **U.S. Cl.**
USPC **D10/49**

(58) **Field of Classification Search**
USPC D10/46, 49
CPC G07F 7/04; G07F 19/20; G07F 19/206;
G07D 7/121; G07D 7/12; G07D 7/185;
G07D 7/183; G06Q 20/1085; G06Q
40/00; G01N 21/88; G06T 7/0006; G06T
2207/10152; G06T 2207/20021; G06T
2207/30124

See application file for complete search history.

(56) **References Cited**

U.S. PATENT DOCUMENTS

8,335,367 B2 * 12/2012 Nireki G07F 7/04
209/534
D783,055 S * 4/2017 Charriere D10/49

* cited by examiner

Primary Examiner — Antoine Duval Davis

(74) *Attorney, Agent, or Firm* — Muncy, Geissler, Olds & Lowe, P.C.

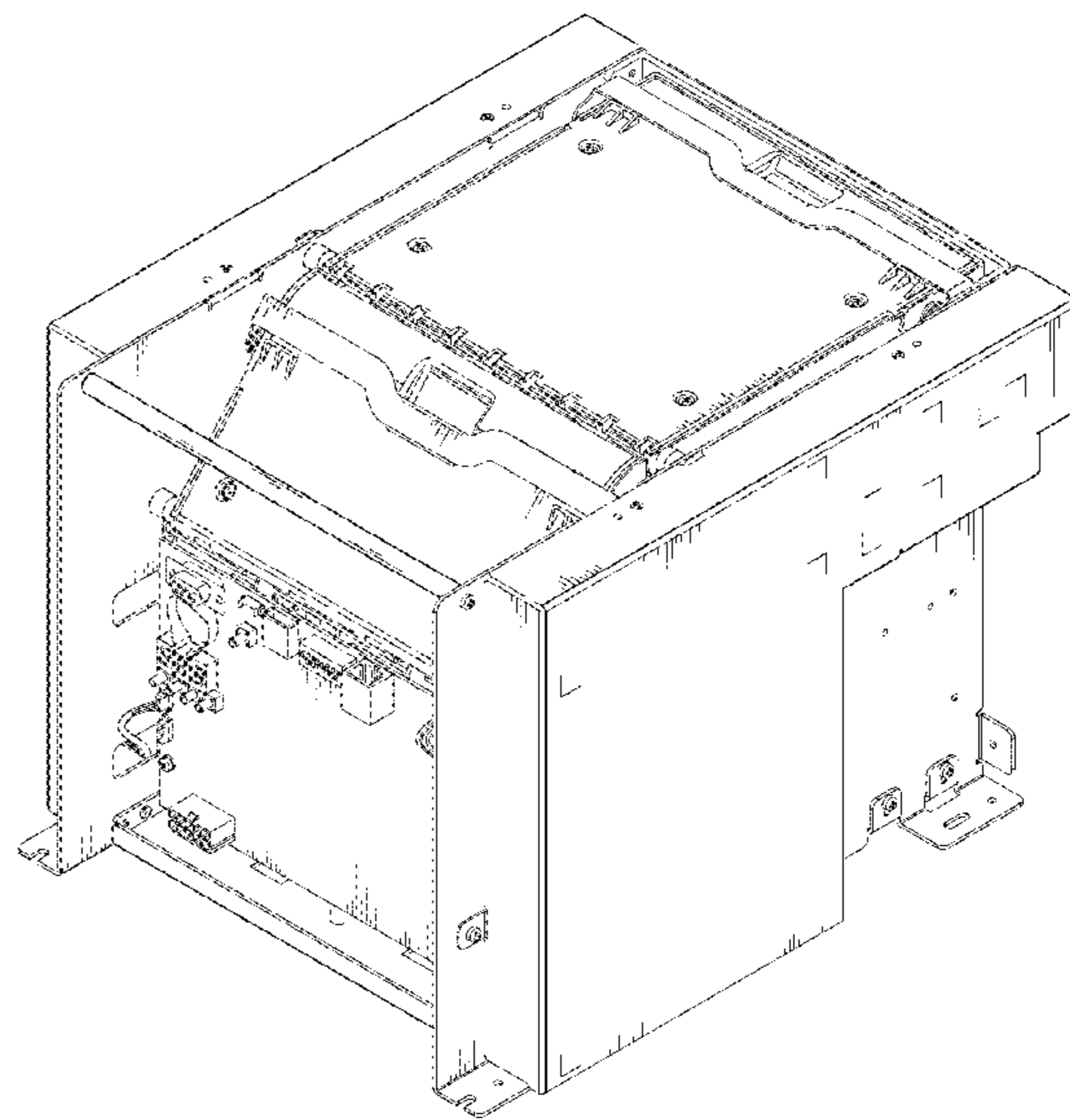
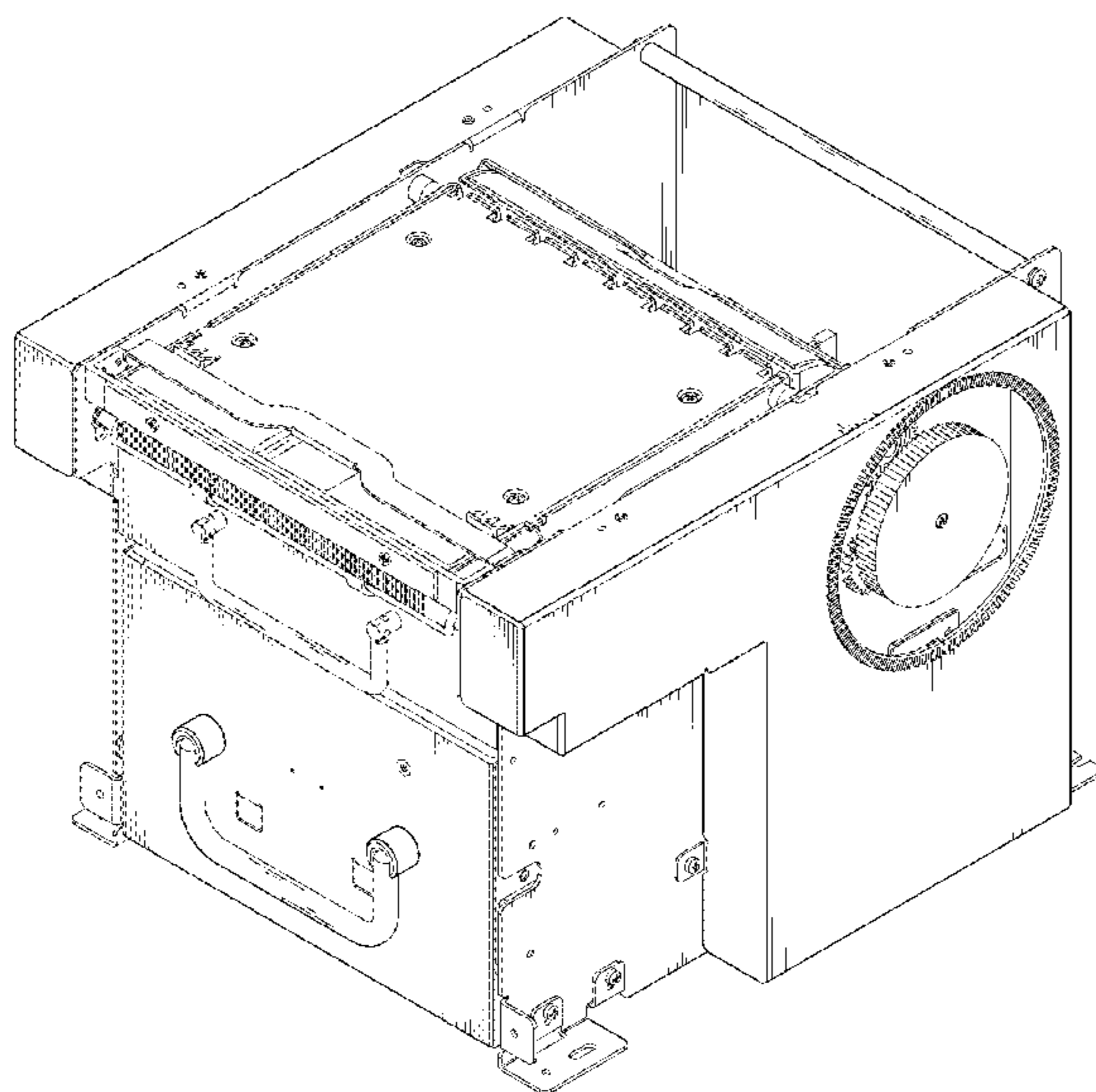
(57) **CLAIM**

The ornamental design for a bill output control device, as shown and described.

DESCRIPTION

FIG. 1 is a perspective view of a bill output control device showing my design;
FIG. 2 is a front view thereof;
FIG. 3 is a rear view thereof;
FIG. 4 is a left side view thereof;
FIG. 5 is a right side view thereof;
FIG. 6 is a top view thereof;
FIG. 7 is a bottom view thereof; and,
FIG. 8 is another perspective view of a bill output control device showing my design.

1 Claim, 8 Drawing Sheets



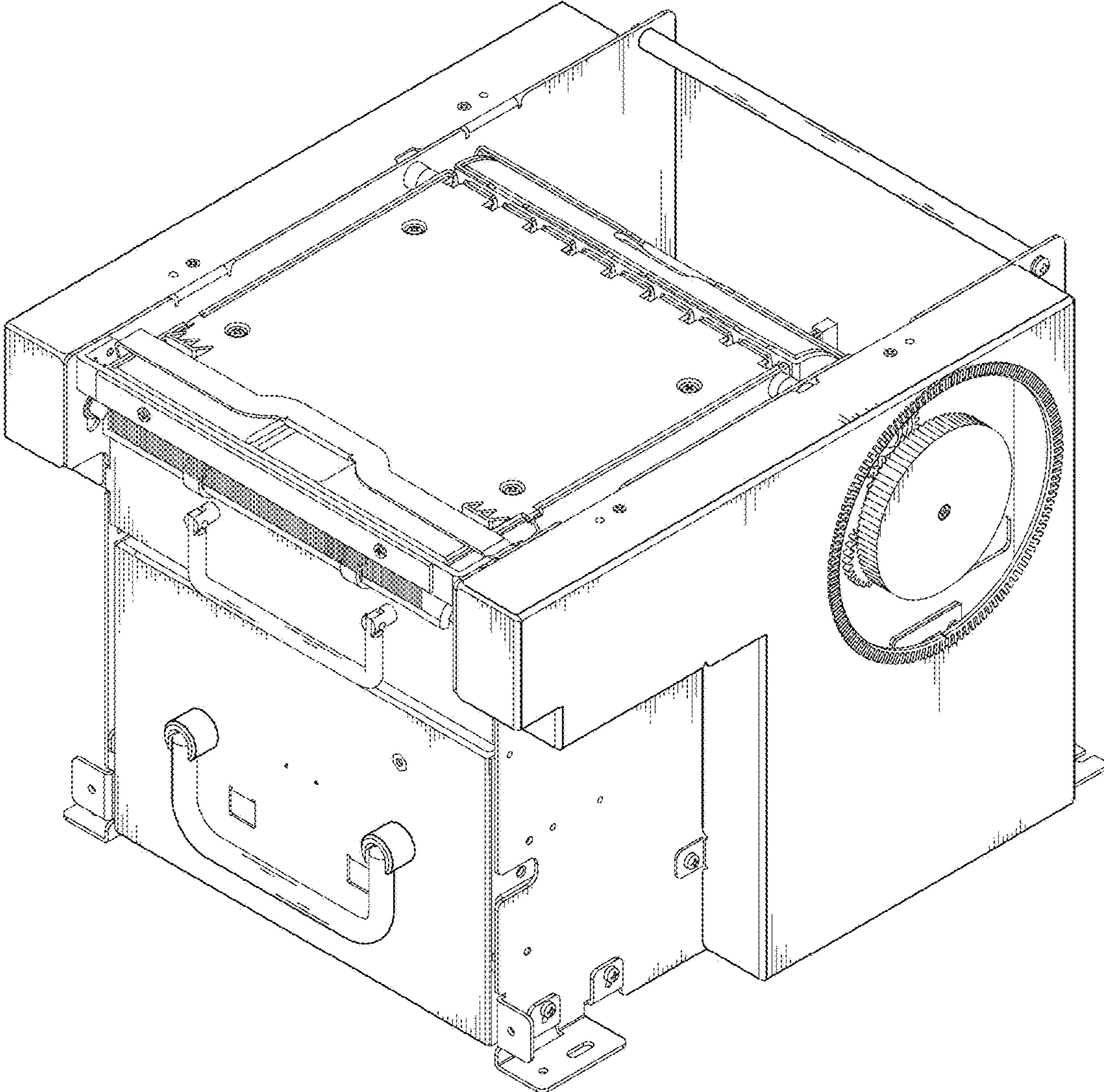


FIG. 1

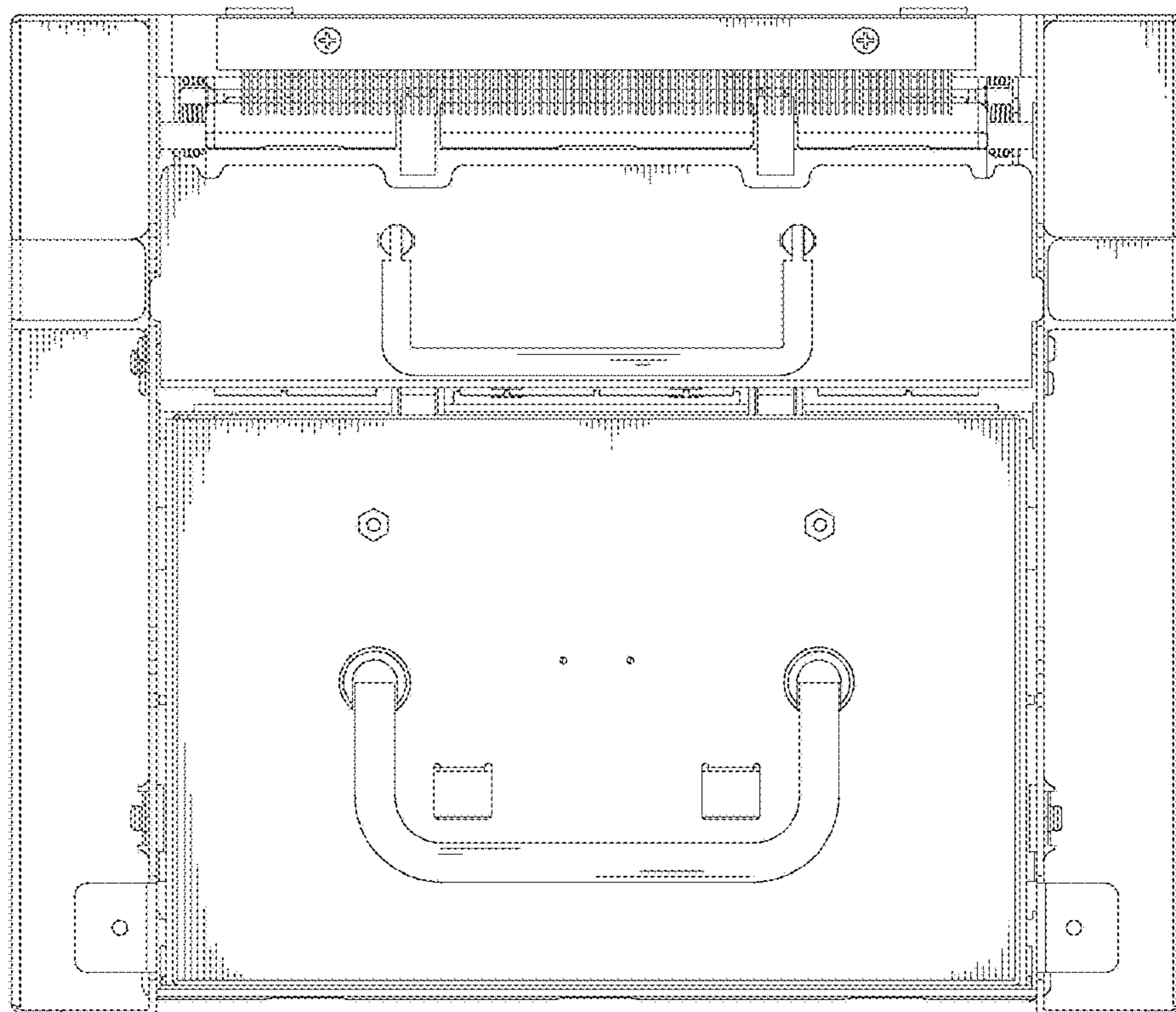


FIG. 2

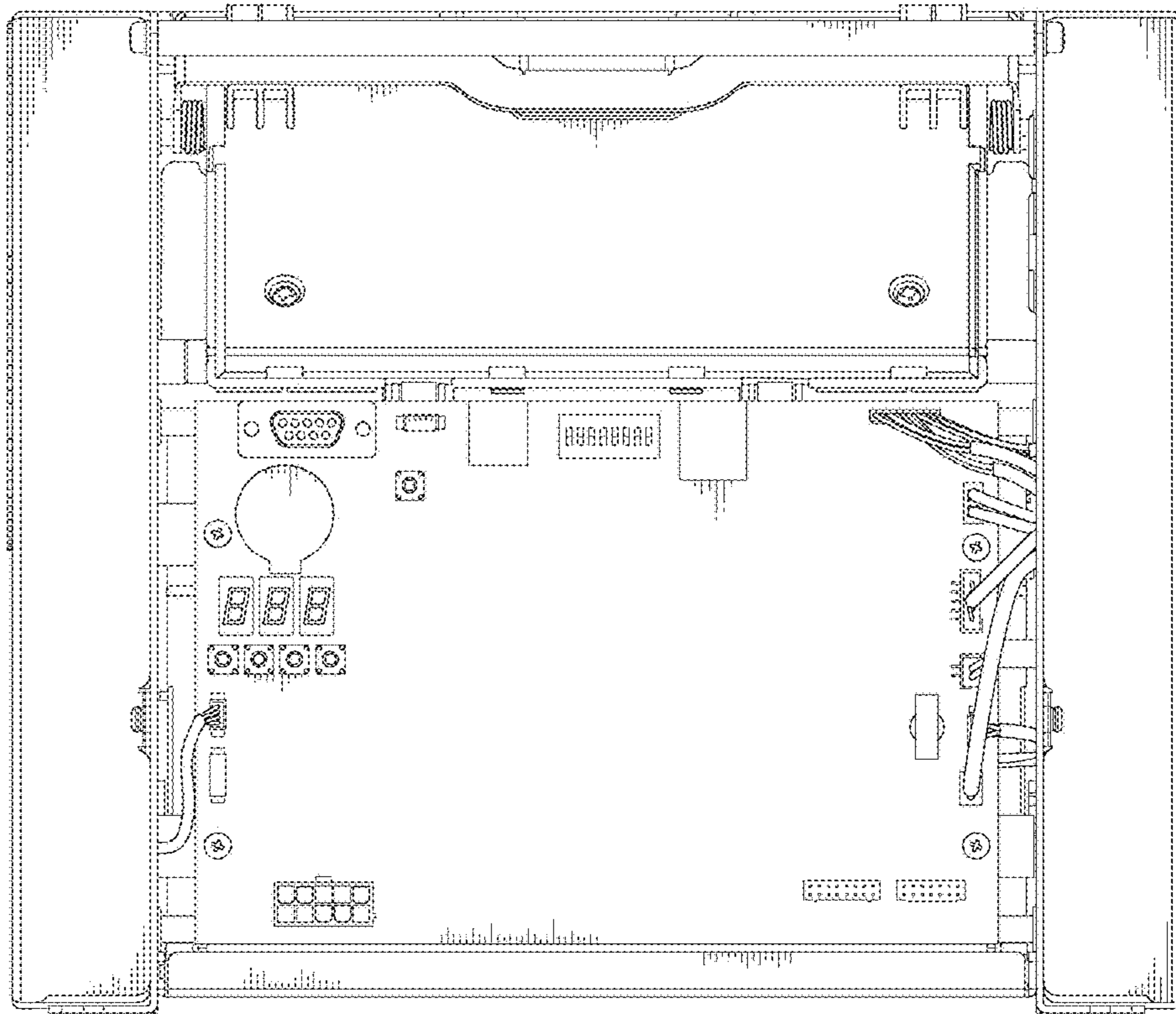


FIG. 3

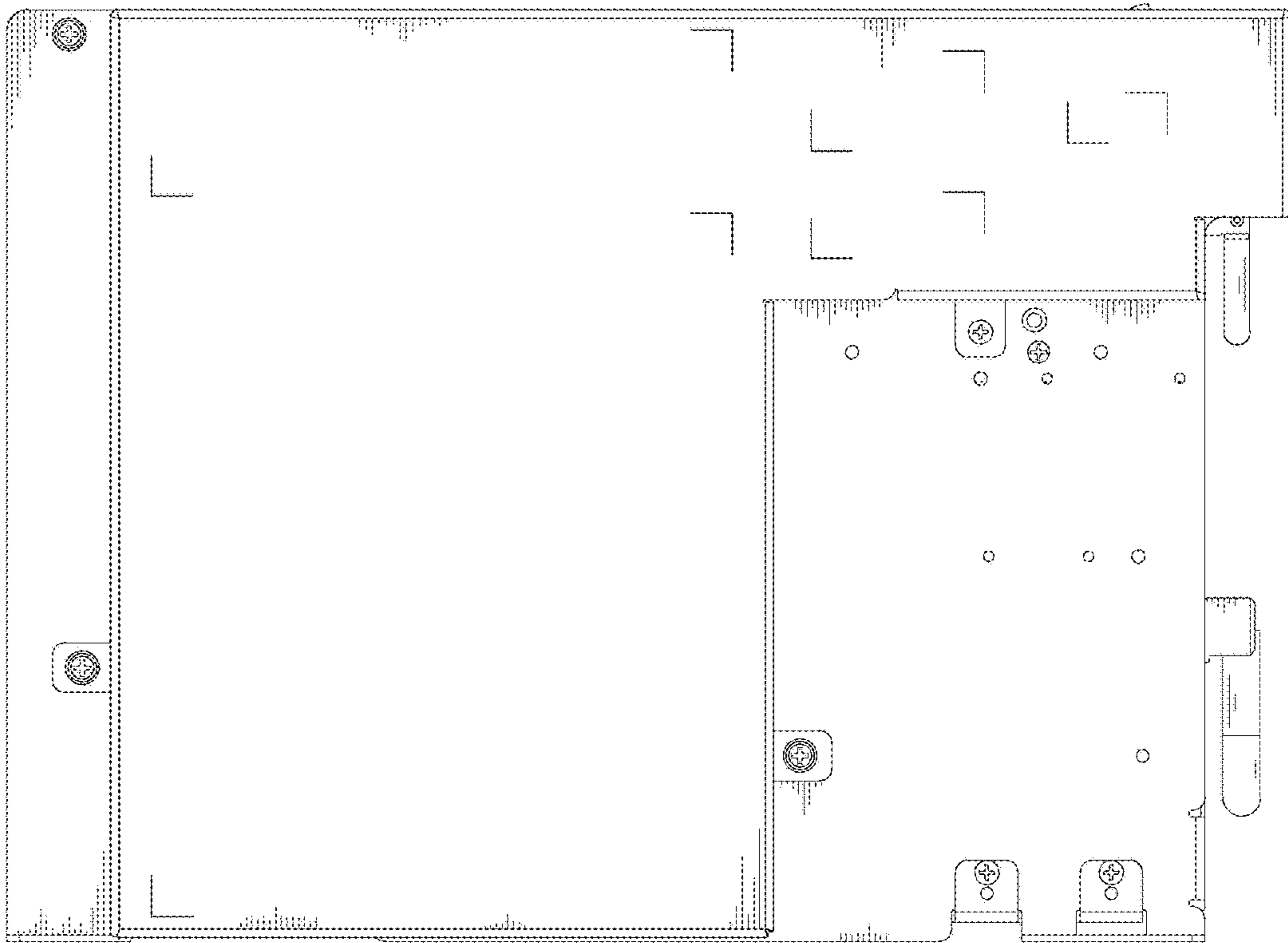


FIG. 4

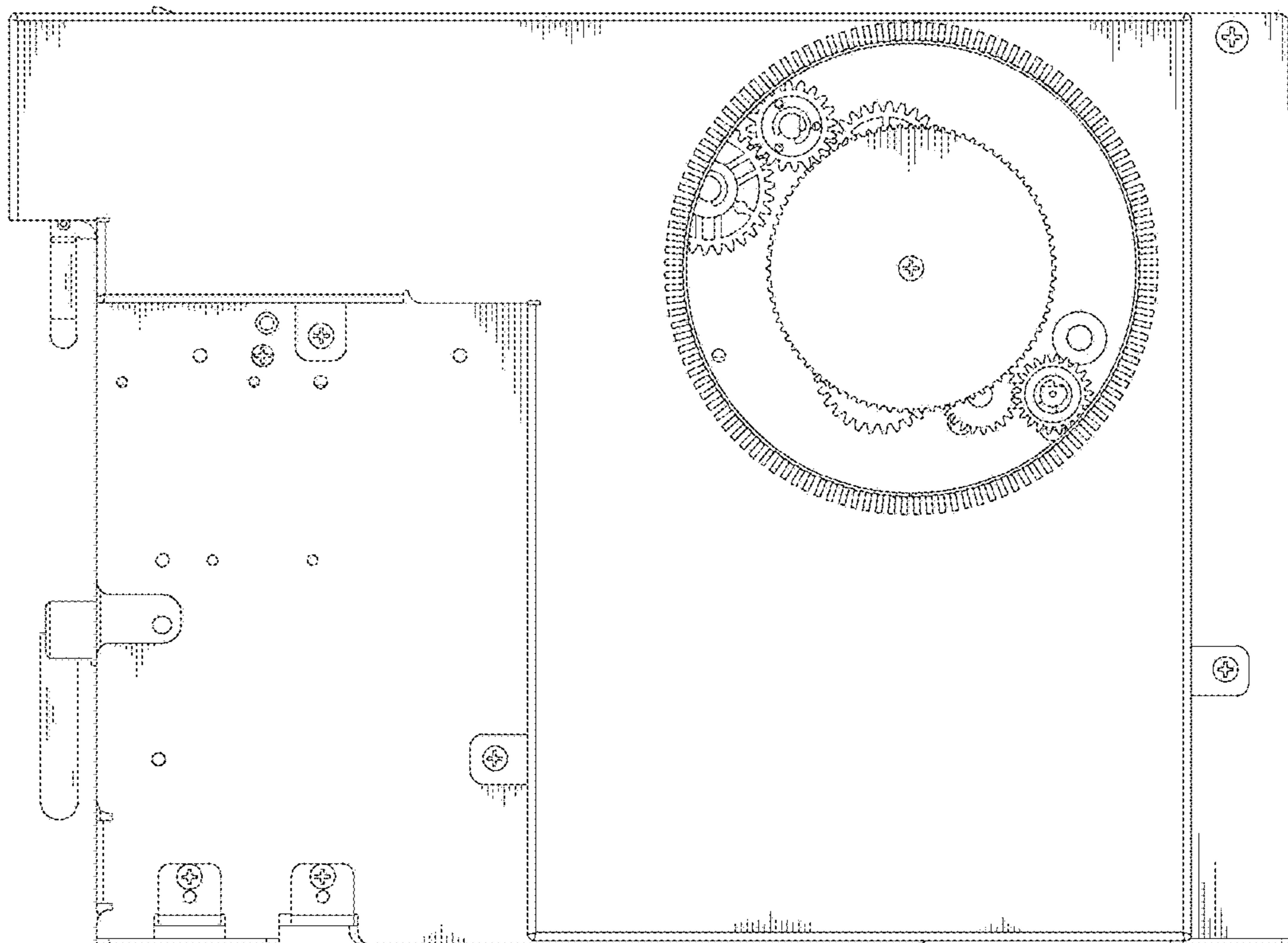


FIG. 5

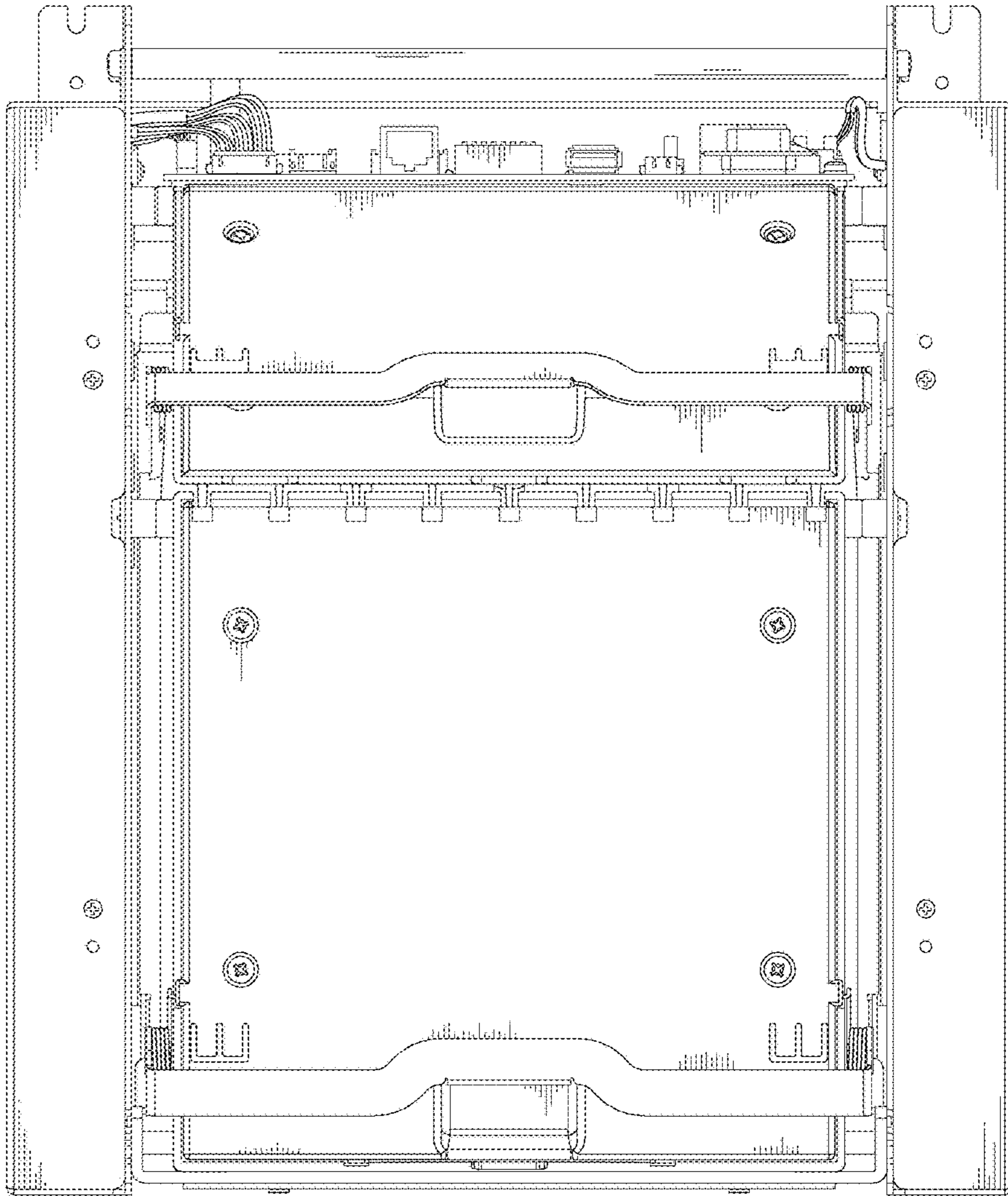


FIG. 6

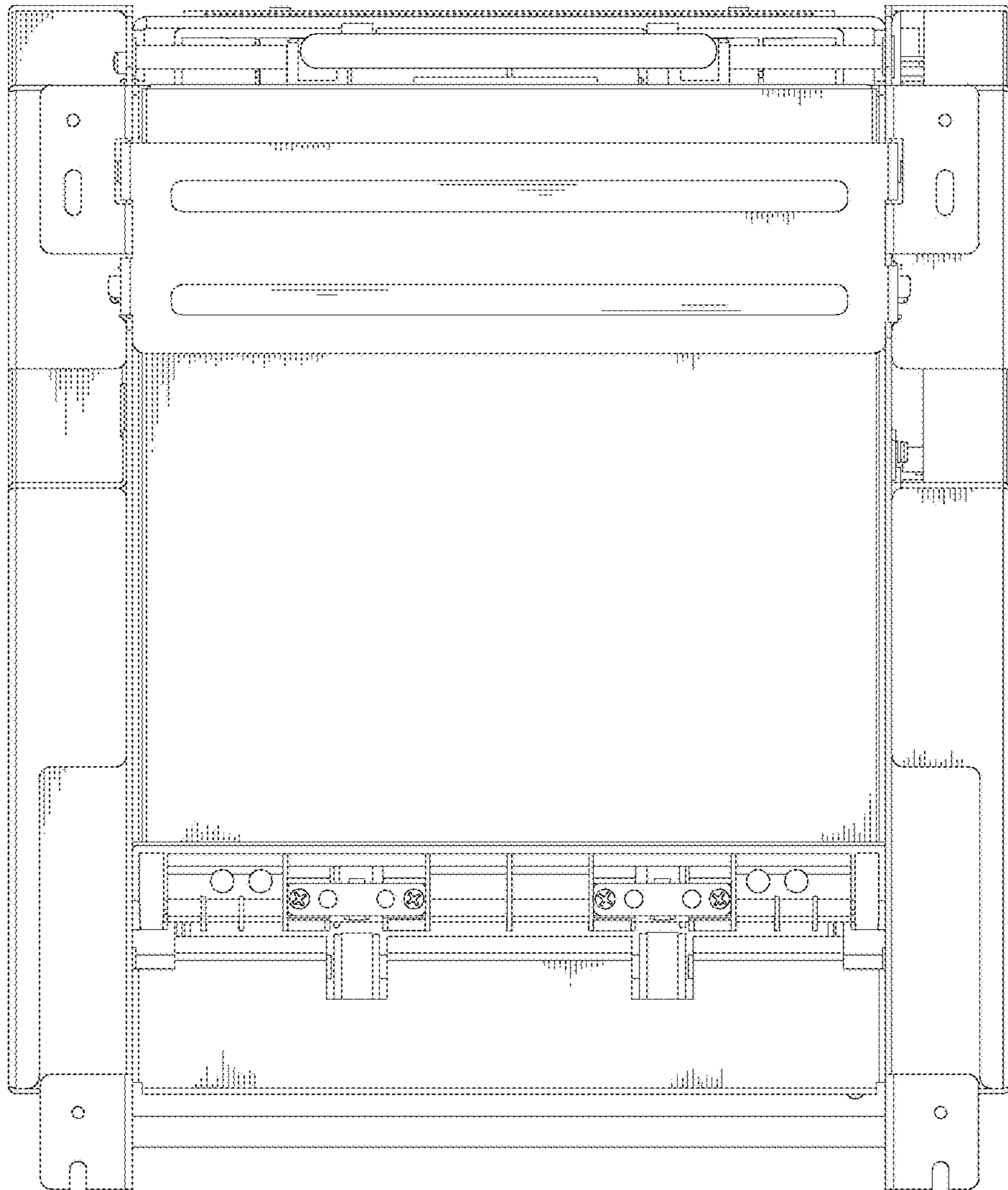


FIG. 7

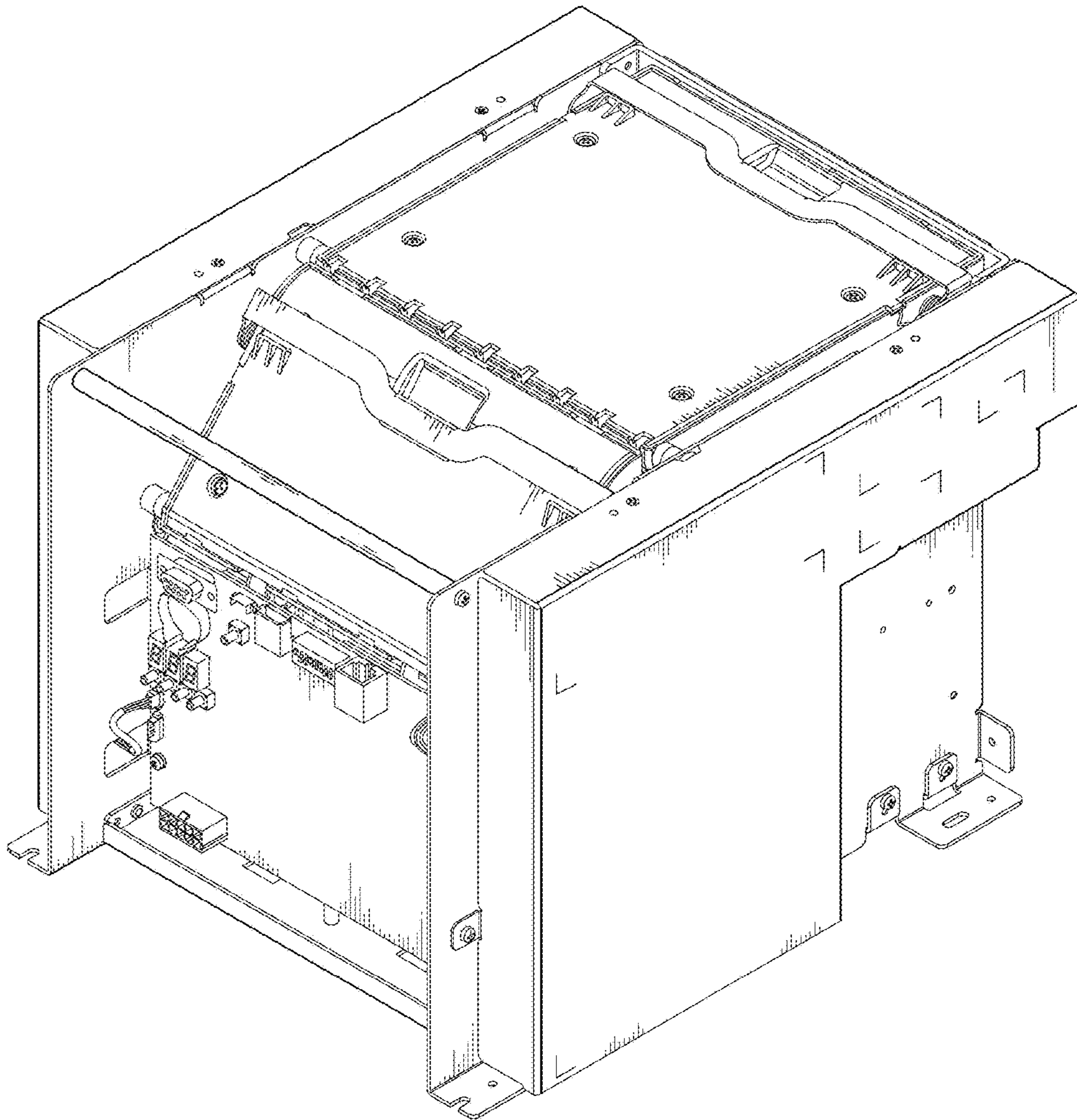


FIG. 8