



US00D852065S

(12) **United States Design Patent**  
**Rivkin**

(10) **Patent No.:** **US D852,065 S**  
(45) **Date of Patent:** **\*\* Jun. 25, 2019**

- (54) **MEASURING CUP FOR CHALLAH FLOUR**
- (71) Applicant: **Igud HaKohanim, Inc.**, Brooklyn, NY (US)
- (72) Inventor: **Peretz Rivkin**, Brooklyn, NY (US)
- (73) Assignee: **Igud Hakohanim**, Brooklyn, NY (US)
- (\*\*) Term: **15 Years**
- (21) Appl. No.: **29/627,676**
- (22) Filed: **Nov. 29, 2017**
- (51) **LOC (11) Cl.** ..... **10-04**
- (52) **U.S. Cl.**  
USPC ..... **D10/46.2; D7/536**
- (58) **Field of Classification Search**  
USPC ..... D7/653, 692, 691, 533, 536; D10/46.2, D10/46.3; D24/116  
CPC ..... G01F 19/00-007; B65D 21/0233  
See application file for complete search history.

- D282,428 S \* 2/1986 Blake ..... D7/536
- 5,462,711 A \* 10/1995 Ricottone ..... A61L 2/025  
215/11.3
- 5,637,341 A 6/1997 Rivlin
- D514,899 S 2/2006 Bellacicco
- D515,368 S 2/2006 Bellacicco
- 2014/0030413 A1 1/2014 Offman

\* cited by examiner

*Primary Examiner* — Brett Miller

(74) *Attorney, Agent, or Firm* — Lisa Found Patent Clinic at Arizona State University

(57) **CLAIM**

The ornamental design for a measuring cup for challah flour, as shown and described.

**DESCRIPTION**

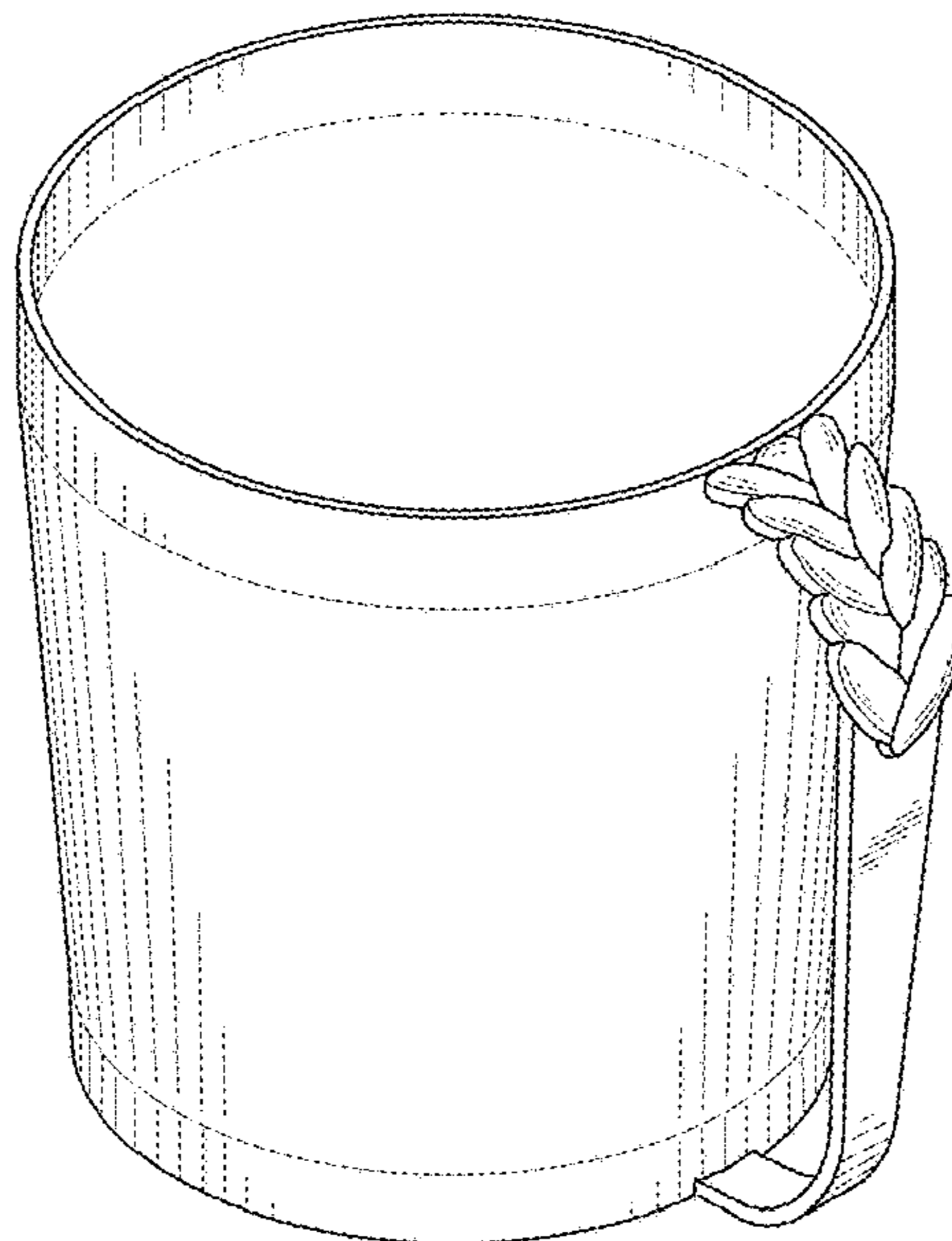
FIG. 1 is a perspective view of a measuring cup for challah flour.  
 FIG. 2 is a front view of a measuring cup for challah flour.  
 FIG. 3 is a rear view of a measuring cup for challah flour.  
 FIG. 4 is a top view of a measuring cup for challah flour.  
 FIG. 5 is a bottom view of a measuring cup for challah flour.  
 FIG. 6 is a left side view of a measuring cup for challah flour; and,  
 FIG. 7 is a right sideview of a measuring cup for challah flour.  
 The broken lines depict portions of the measuring cup that form no part of the claim.

(56) **References Cited**

U.S. PATENT DOCUMENTS

- D78,238 S \* 4/1929 Weiss ..... D7/536
- D215,459 S \* 10/1969 Benes ..... D7/536
- D235,182 S \* 5/1975 Capron ..... D10/46.2
- D255,531 S \* 6/1980 Daenen ..... D10/46.2
- D276,871 S \* 12/1984 Durand ..... D7/530
- D277,921 S \* 3/1985 Otto ..... D7/536

**1 Claim, 4 Drawing Sheets**



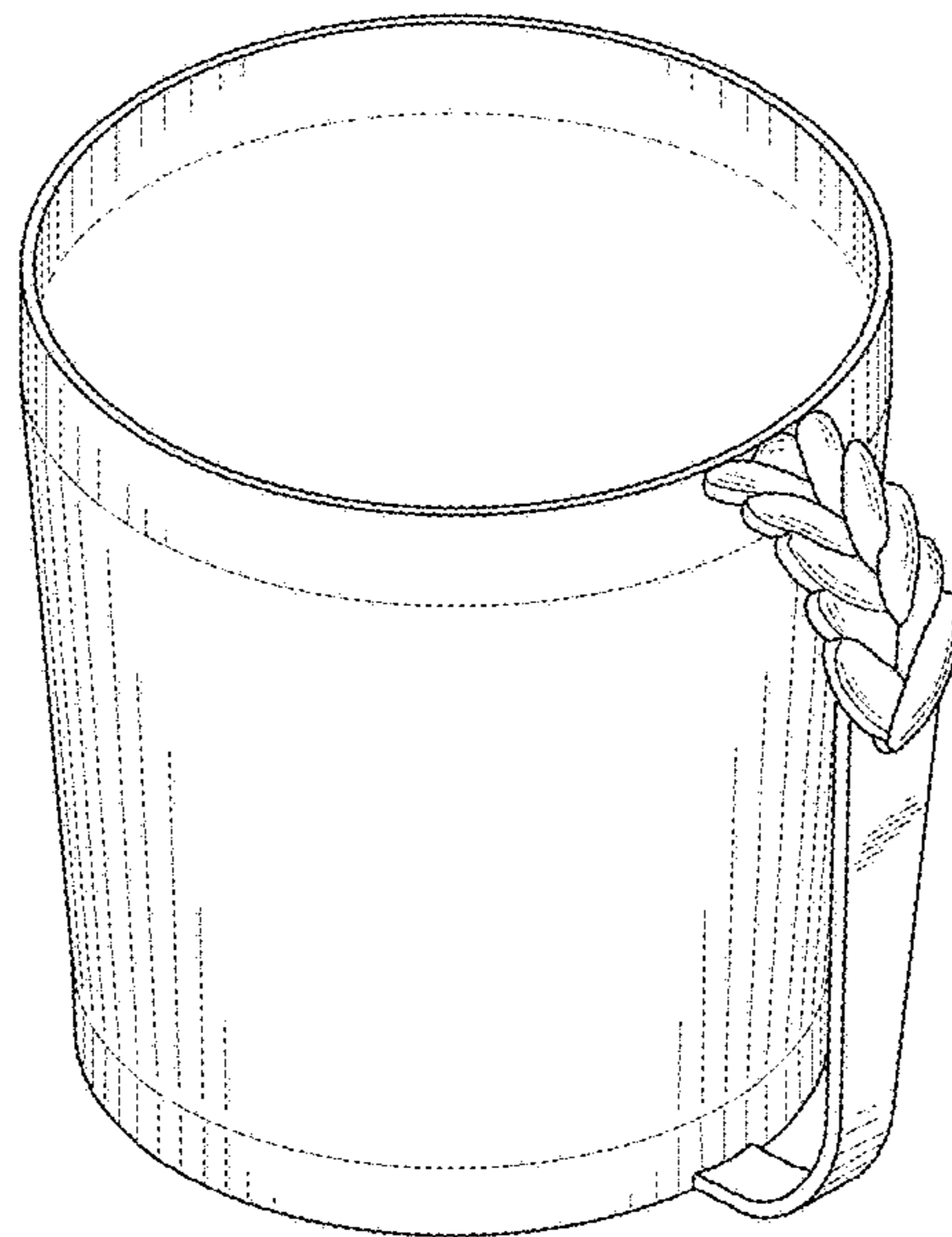


FIG. 1

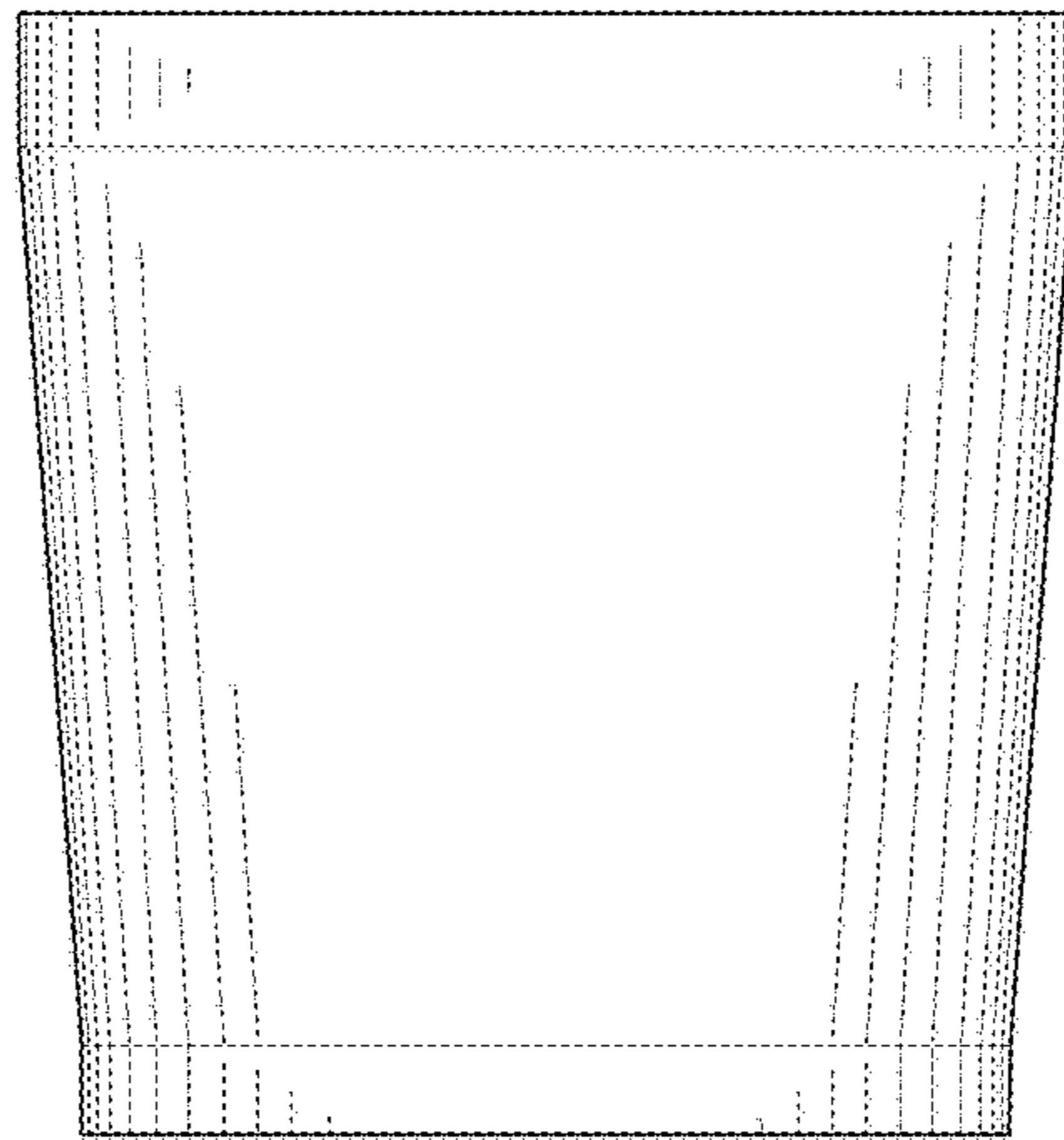


FIG. 2

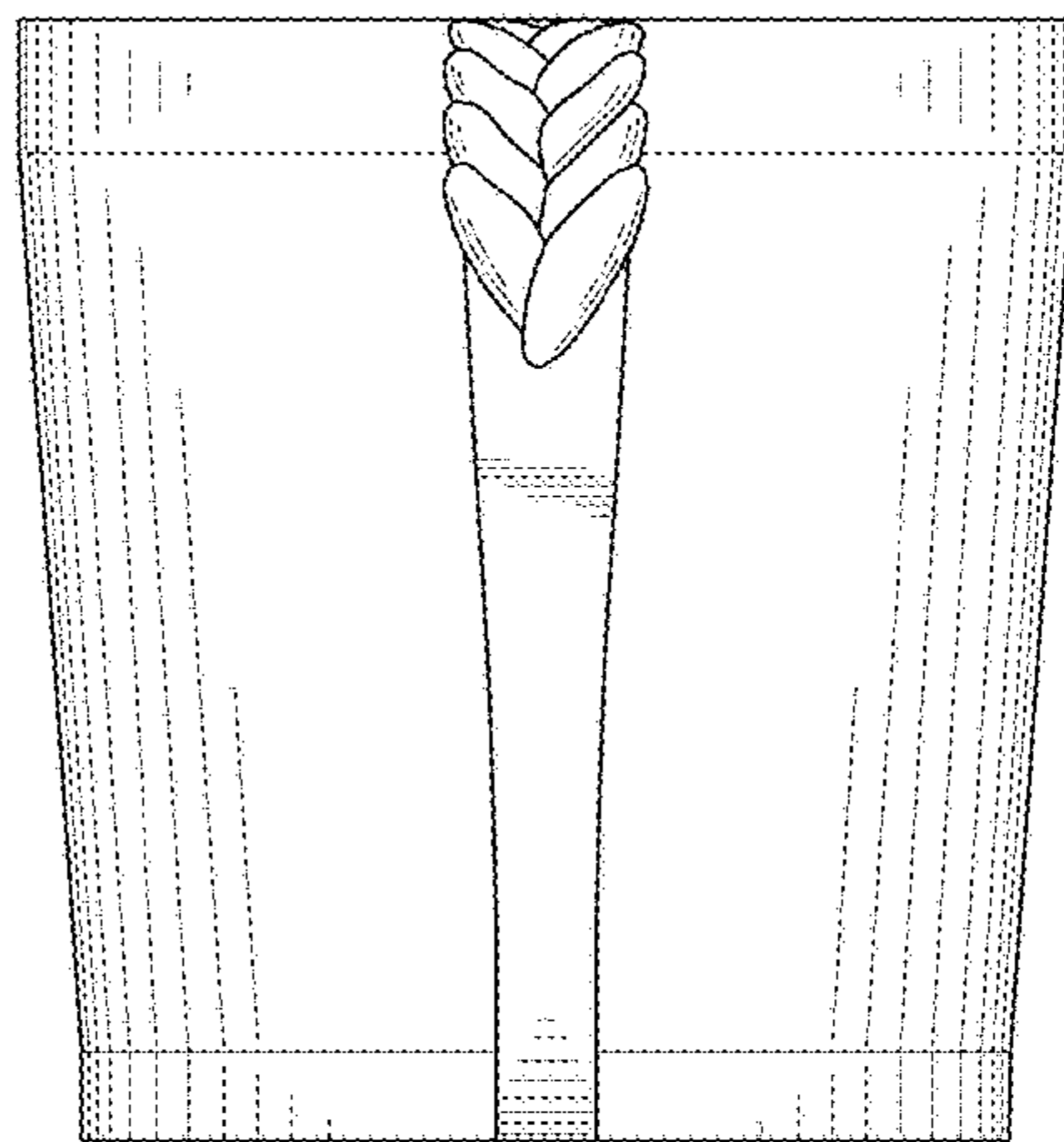


FIG. 3

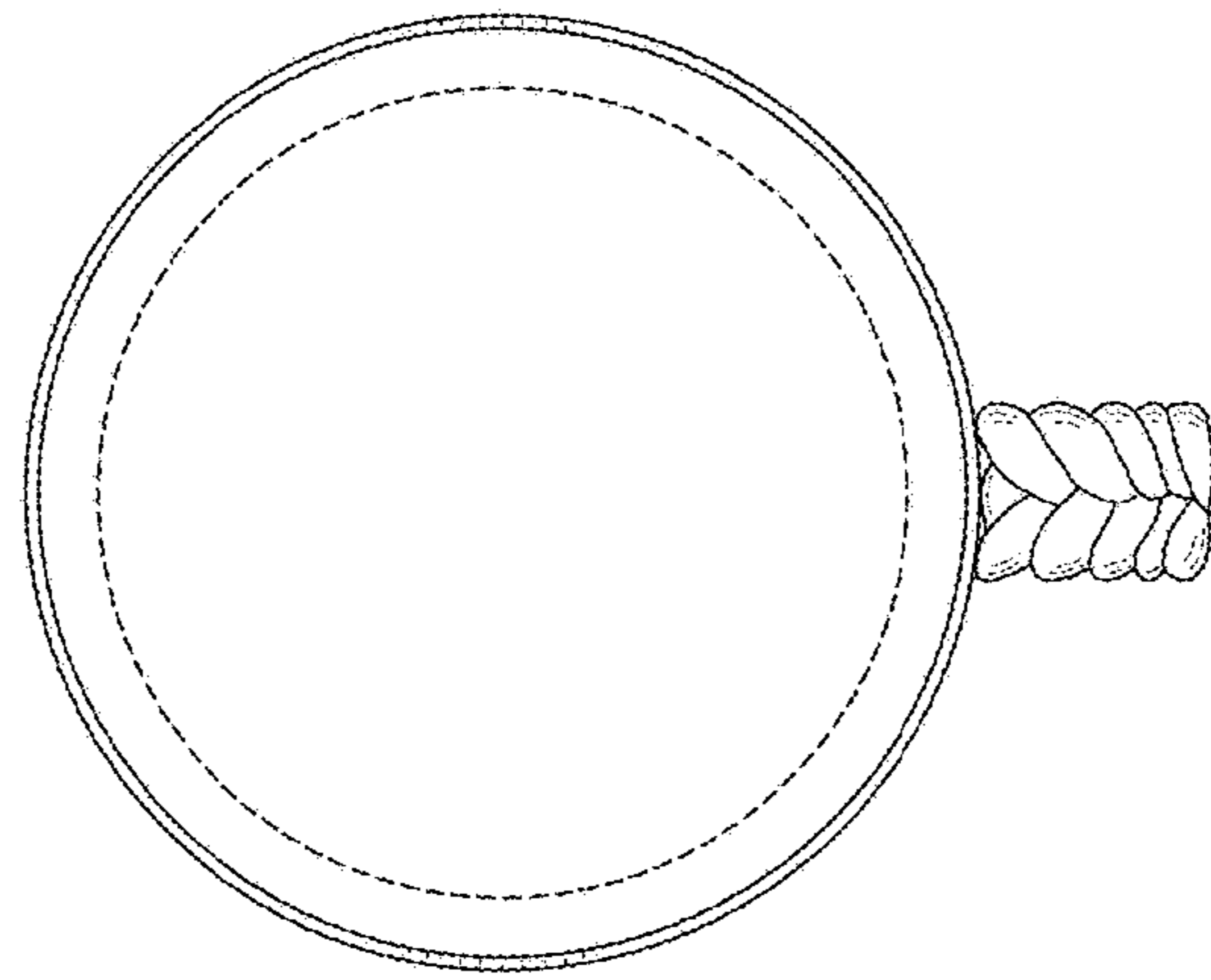


FIG. 4

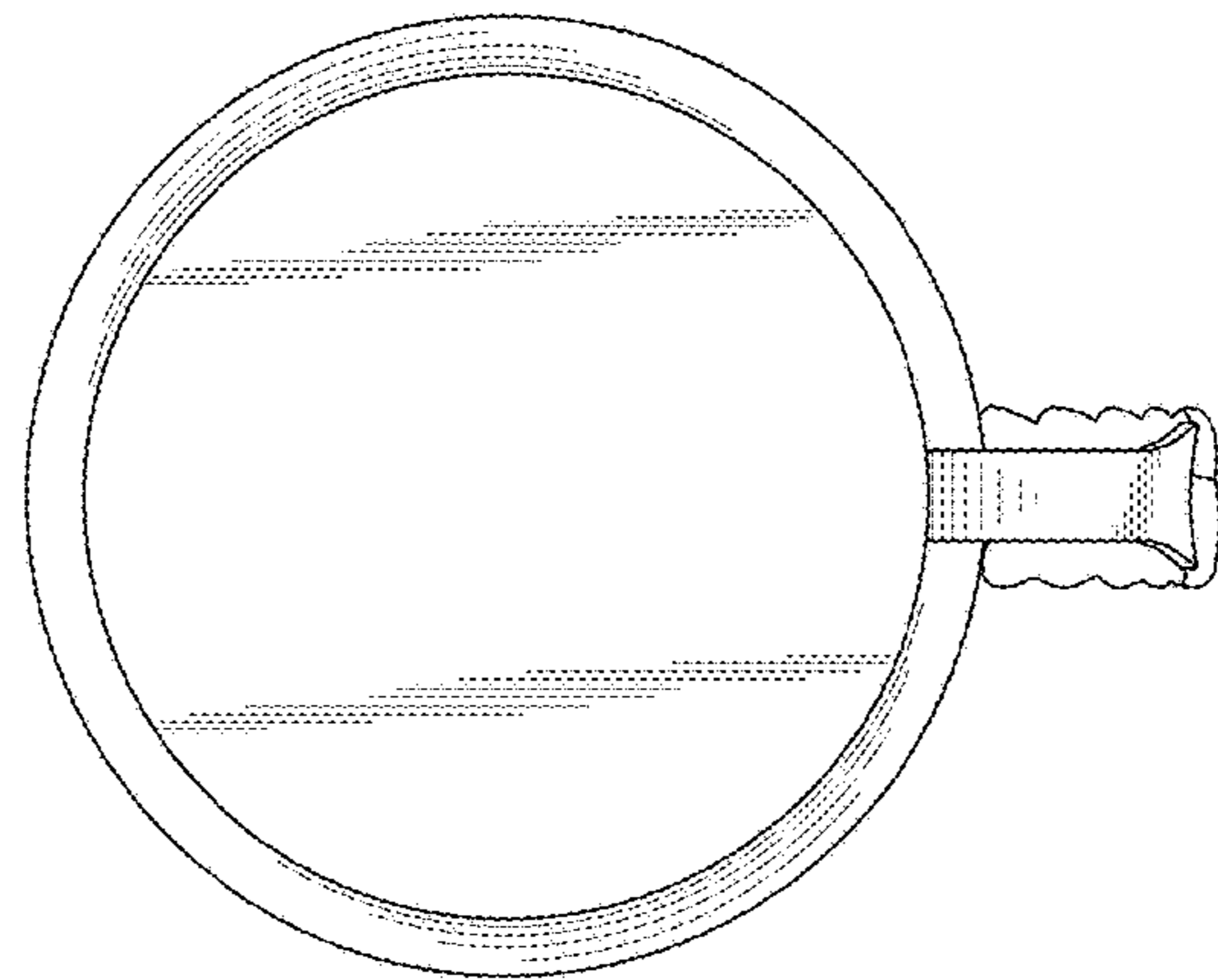


FIG. 5

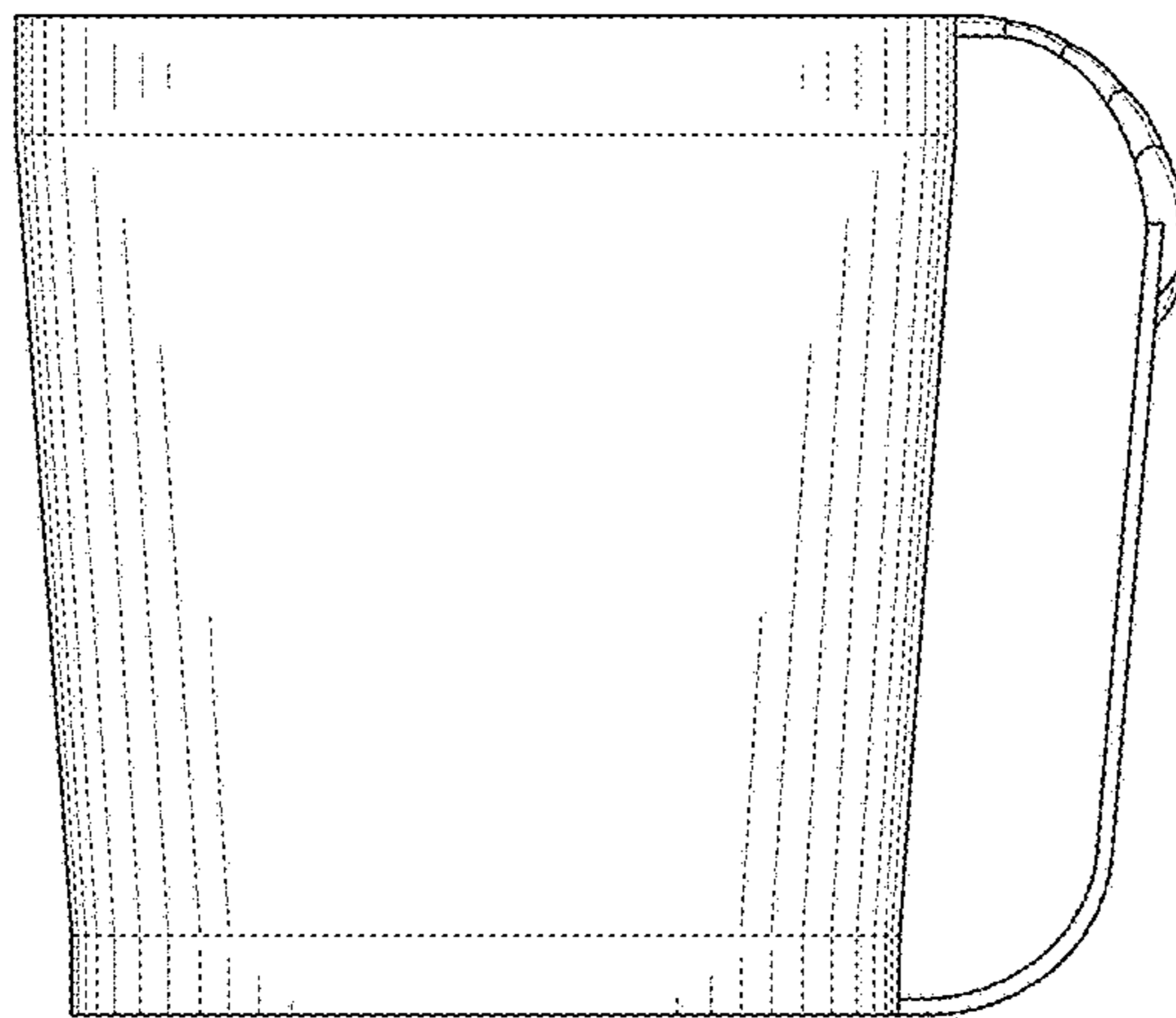


FIG. 6

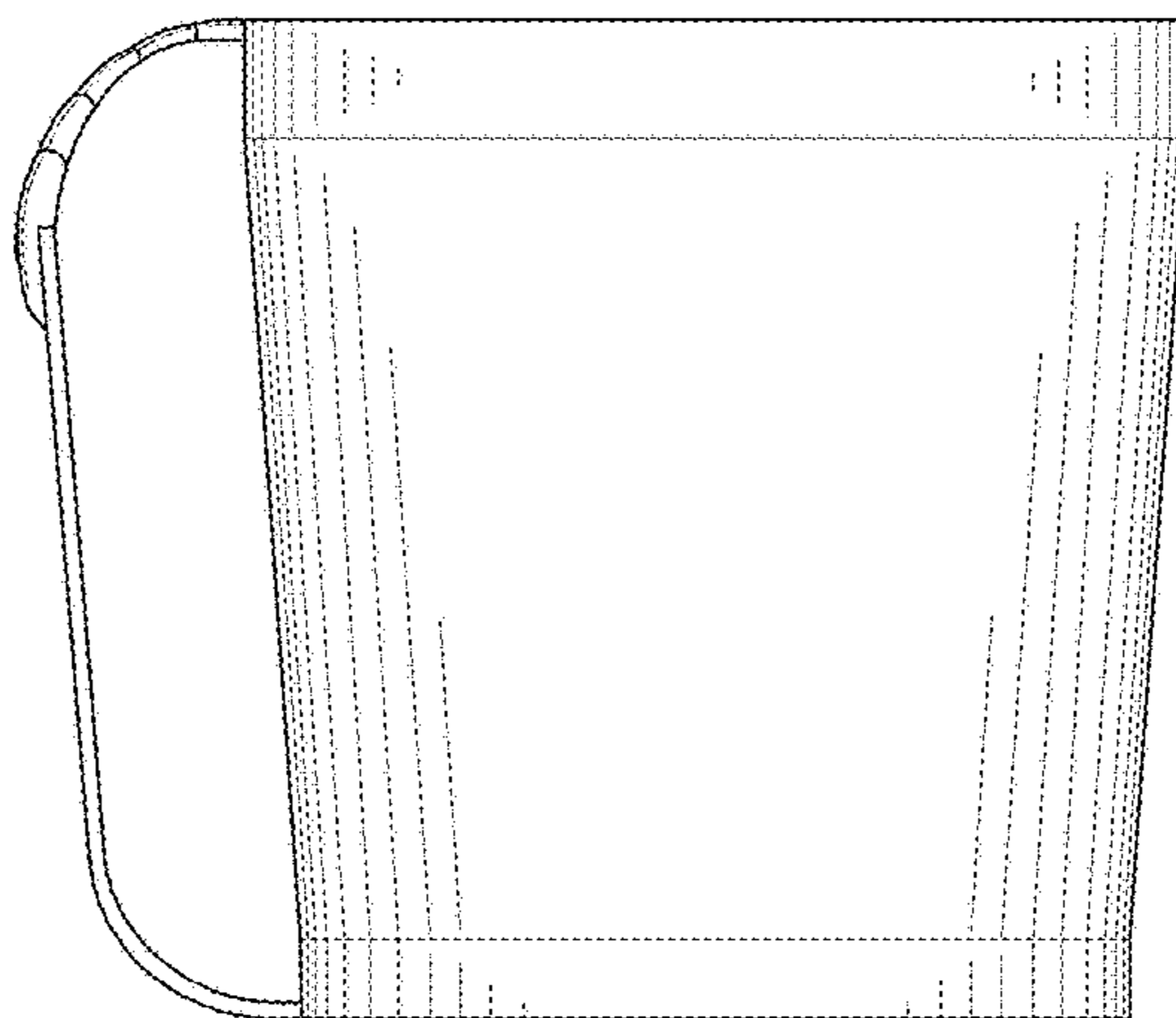


FIG. 7