



US00D852064S

(12) **United States Design Patent**  
**Andrews**

(10) **Patent No.:** **US D852,064 S**  
(45) **Date of Patent:** **\*\* Jun. 25, 2019**

(54) **MEASURING APPARATUS**

(71) Applicant: **SANDBAR AP LIMITED**, Kneesworth (GB)

(72) Inventor: **Nicholas William Andrews**, Kneesworth (GB)

(73) Assignee: **SANDBAR AP LIMITED**, Kneesworth (GB)

(\*\*) Term: **15 Years**

(21) Appl. No.: **29/618,268**

(22) Filed: **Sep. 20, 2017**

(30) **Foreign Application Priority Data**

Mar. 22, 2017 (EM) ..... 003817352-001

(51) **LOC (11) Cl.** ..... **10-04**

(52) **U.S. Cl.**  
USPC ..... **D10/46.2; D7/509**

(58) **Field of Classification Search**  
USPC ..... D10/46, 46.2; D7/509  
CPC ..... G01F 19/00; G01F 19/002  
See application file for complete search history.

(56) **References Cited**

**U.S. PATENT DOCUMENTS**

D388,660 S \* 1/1998 Grundl ..... D7/507  
D430,456 S \* 9/2000 Thuma ..... D7/509

D534,037 S \* 12/2006 Oas ..... D7/507  
D575,987 S \* 9/2008 Williams ..... D7/509  
D723,335 S \* 3/2015 Steel ..... D10/46.2  
D740,072 S \* 10/2015 Eyal ..... D7/509

\* cited by examiner

*Primary Examiner* — Antoine Duval Davis

(74) *Attorney, Agent, or Firm* — Hodgson Russ LLP

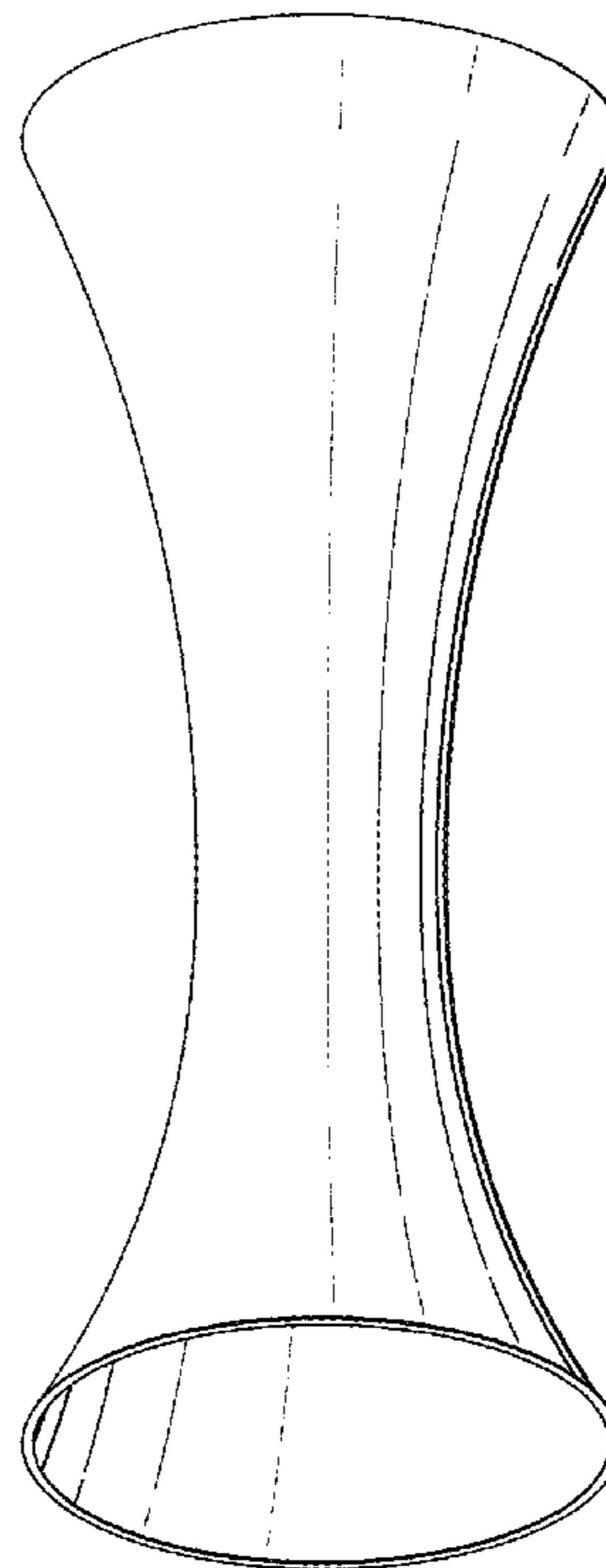
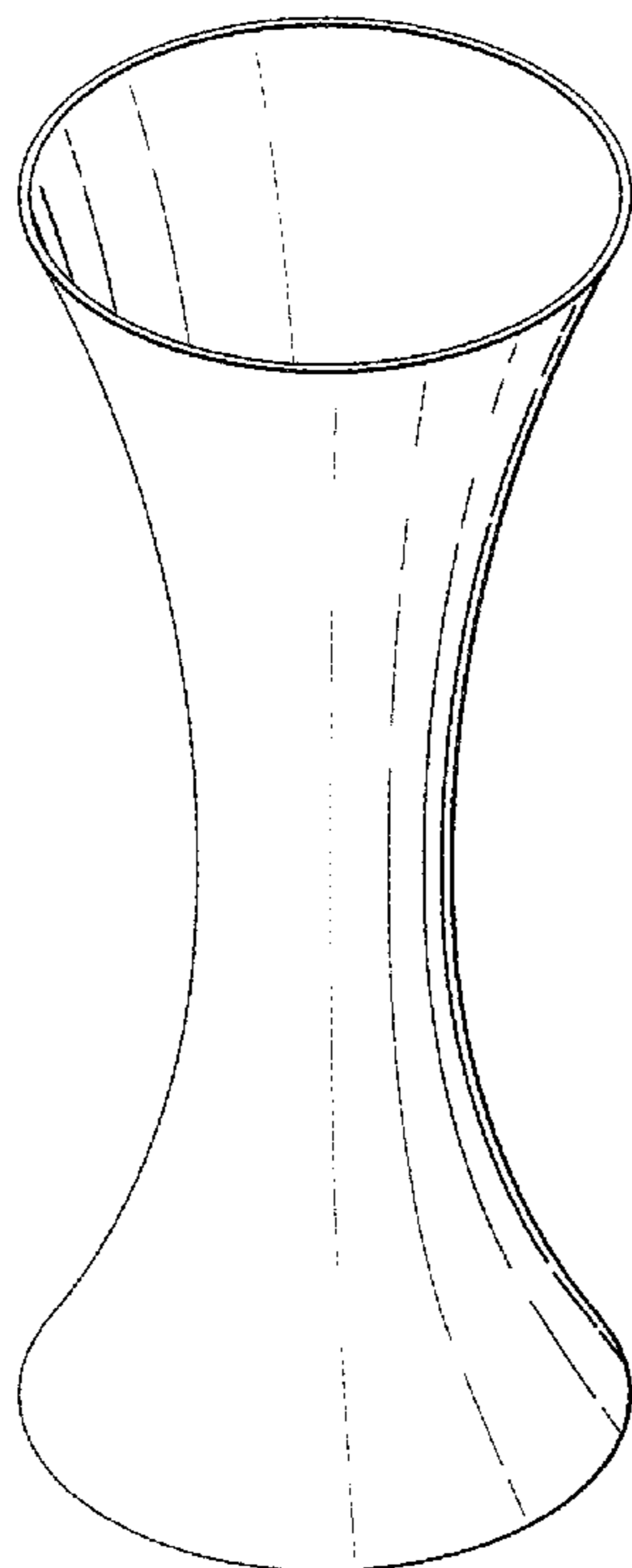
(57) **CLAIM**

The ornamental design for a measuring apparatus, as shown and described.

**DESCRIPTION**

FIG. 1 is a top perspective view of a measuring apparatus, showing my new design;  
FIG. 2 is a bottom perspective view thereof;  
FIG. 3 is a front elevational view thereof, the rear elevational view being mirror symmetrical thereto;  
FIG. 4 is a right side elevational view thereof, the left side elevational view being mirror symmetrical thereto;  
FIG. 5 a top plan view thereof;  
FIG. 6 is a bottom plan view thereof; and,  
FIG. 7 is a cross-sectional view thereof, taken along line 7-7 of FIG. 6.

**1 Claim, 4 Drawing Sheets**



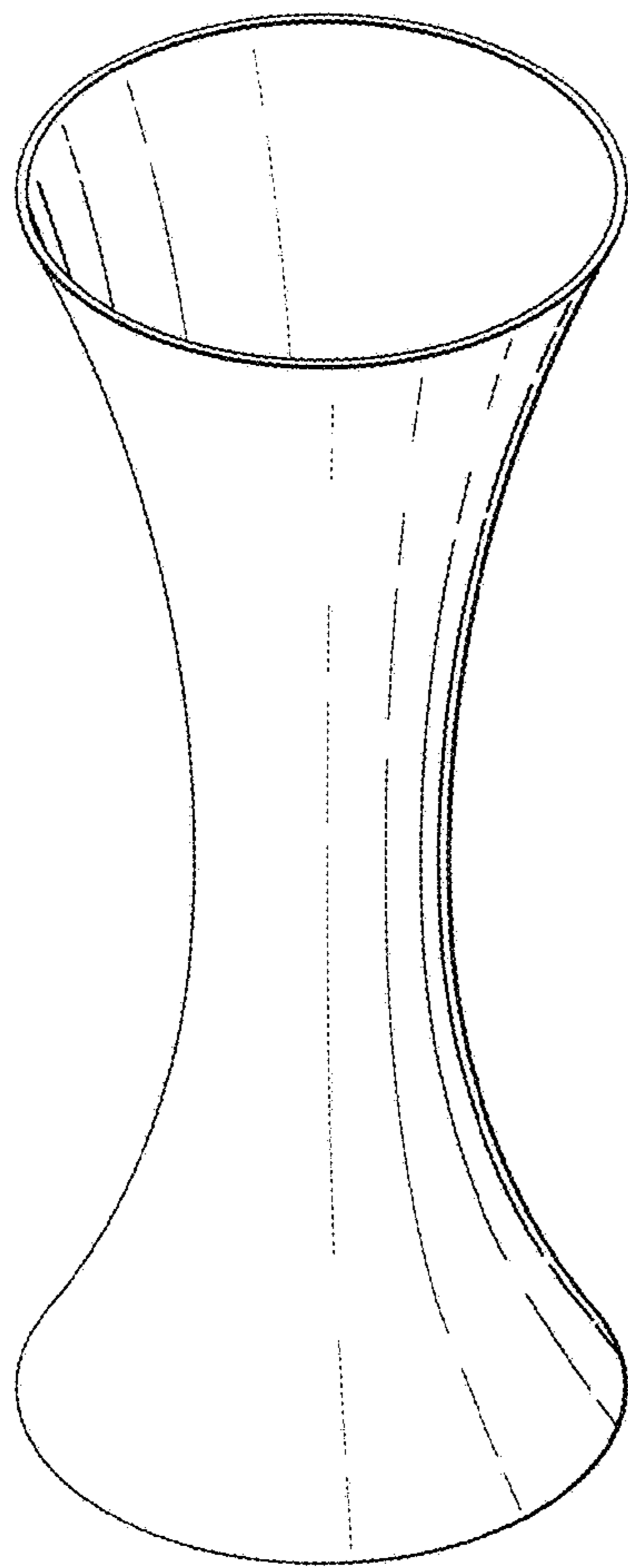


FIG. 1

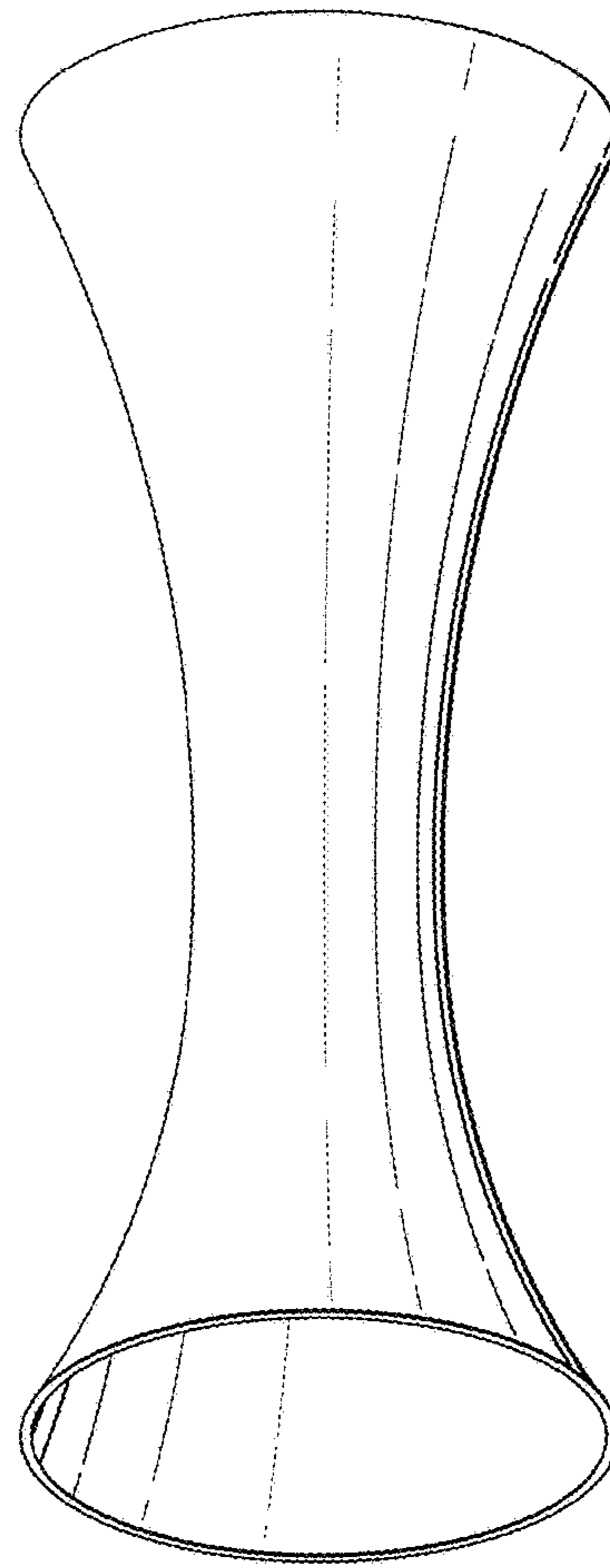


FIG. 2

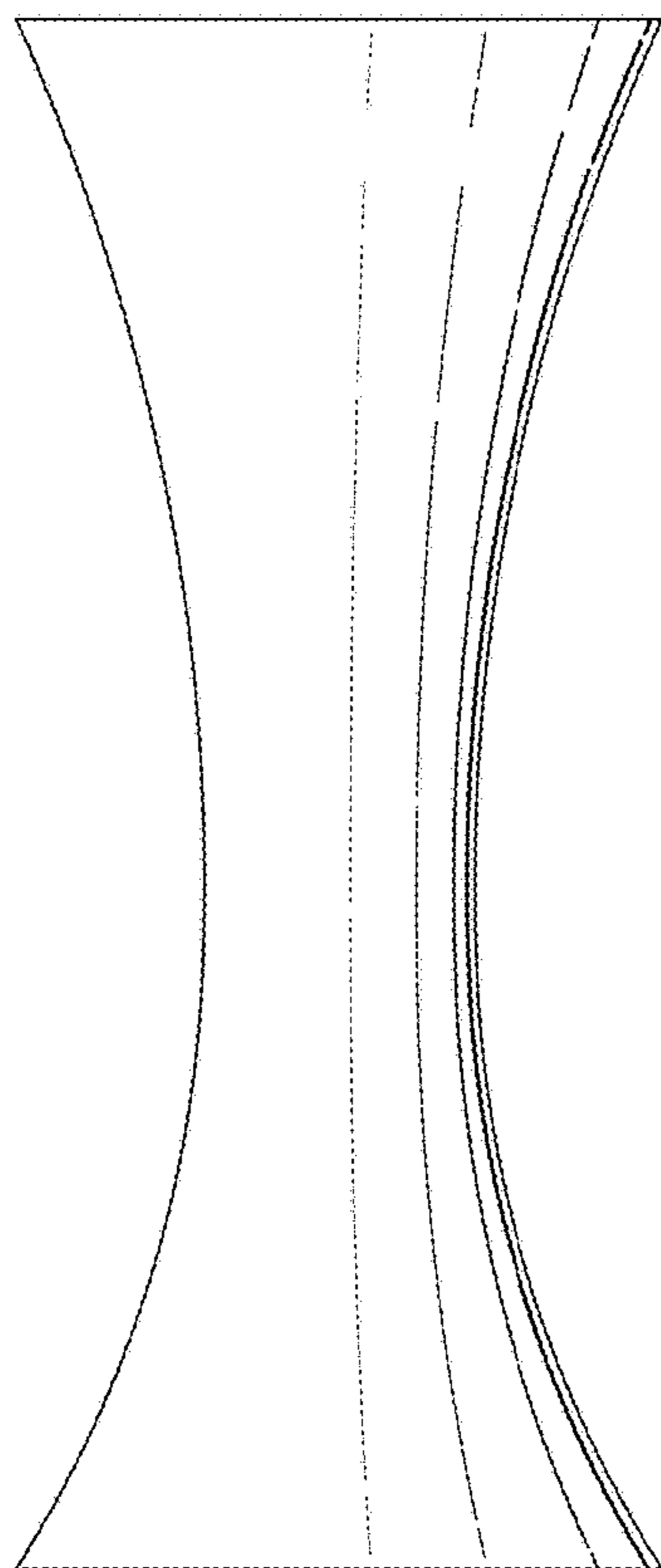


FIG. 3

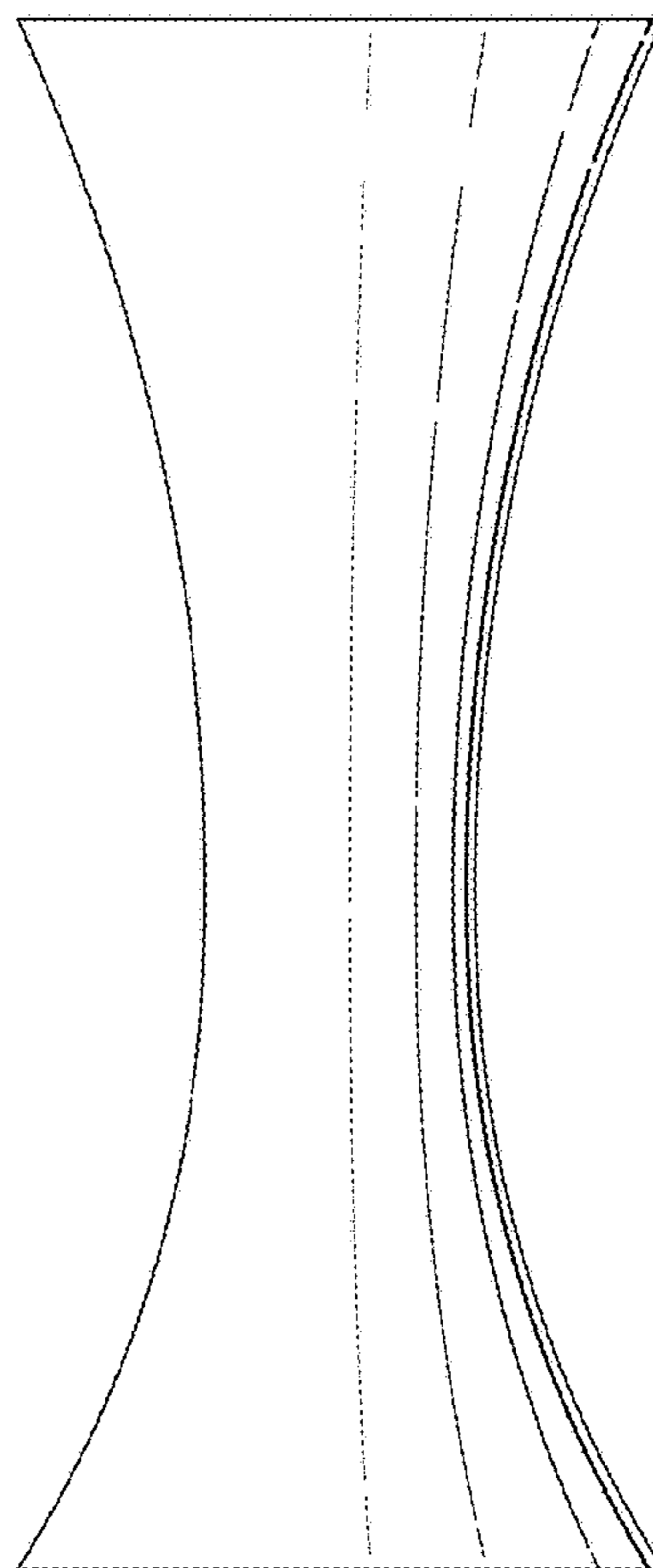


FIG. 4

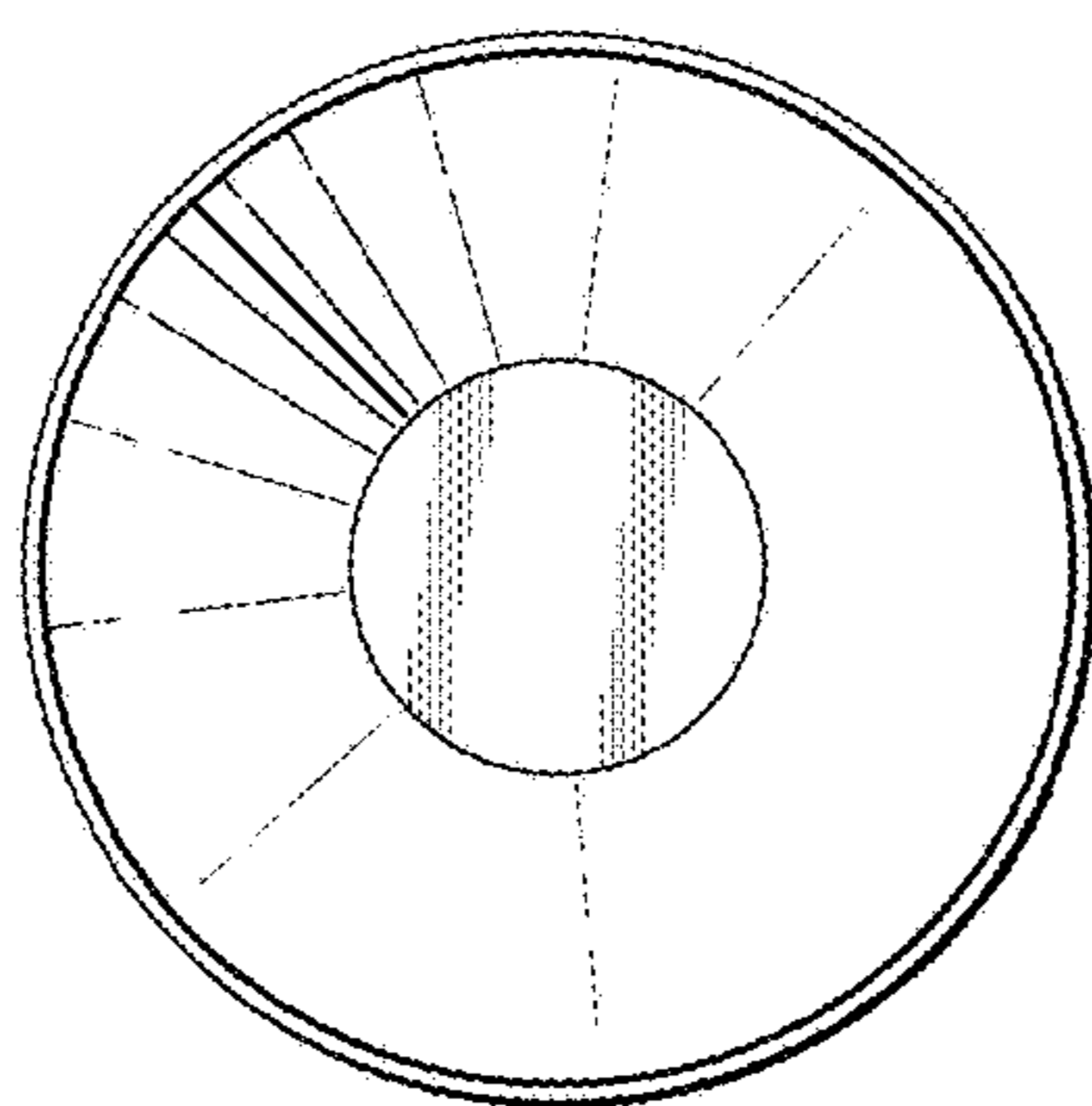


FIG. 5

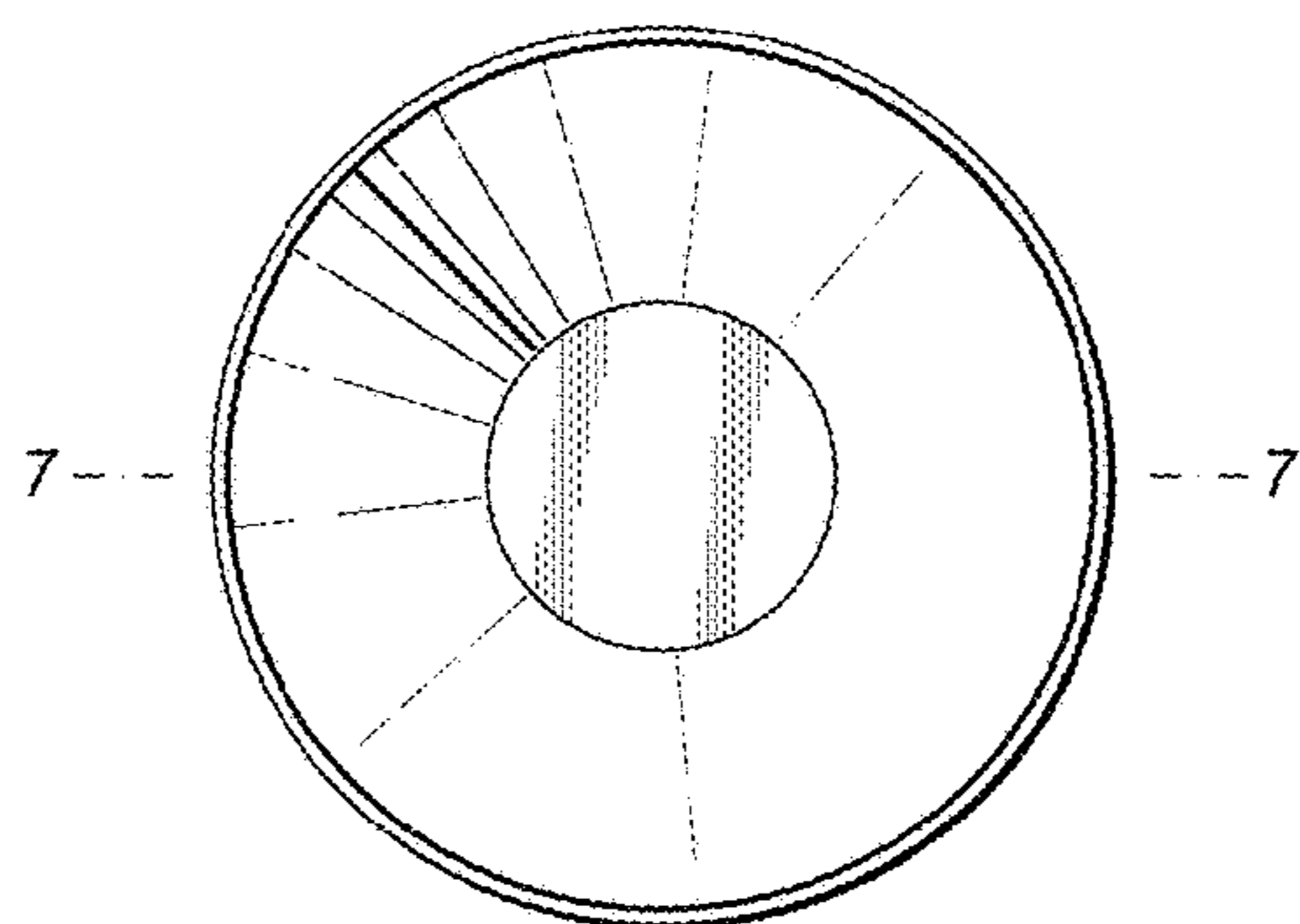


FIG. 6

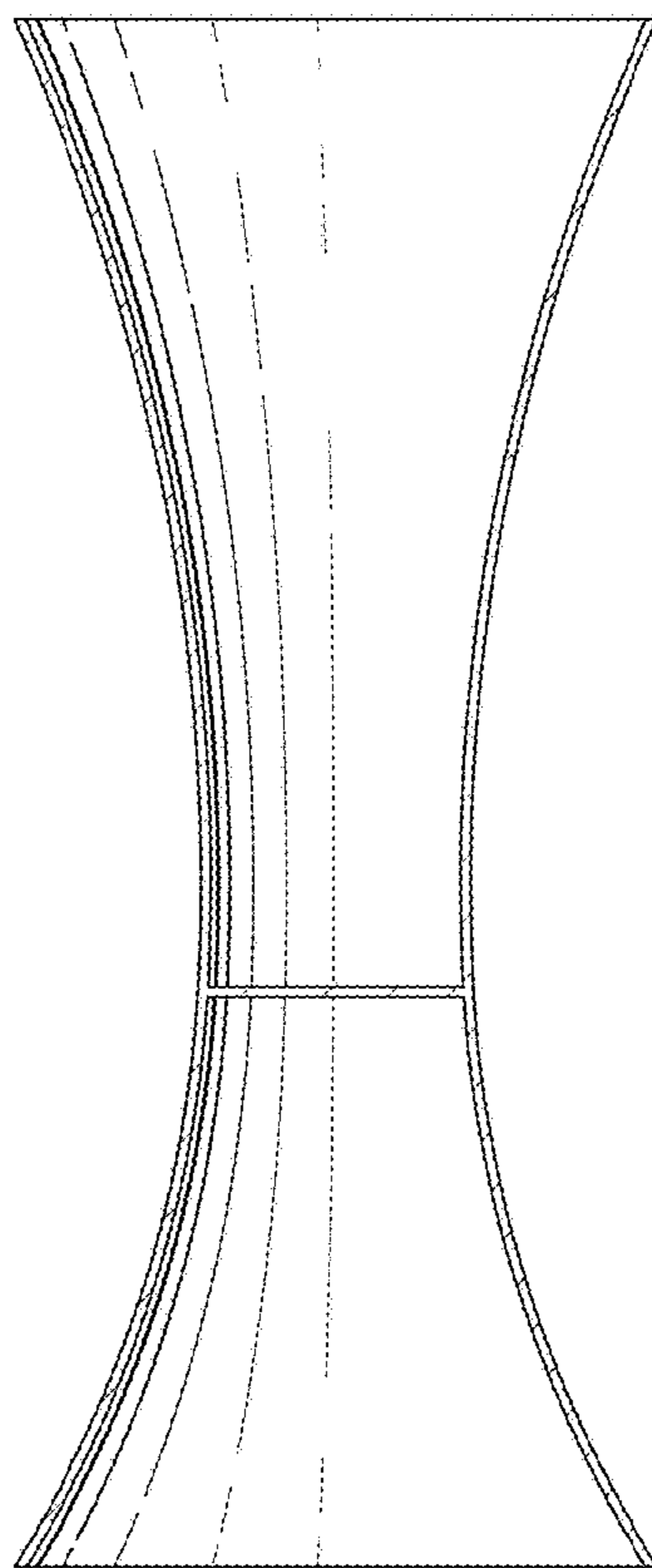


FIG. 7