



US00D852063S

(12) **United States Design Patent**
Ni et al.

(10) **Patent No.:** **US D852,063 S**
(45) **Date of Patent:** **** Jun. 25, 2019**

(54) **8-BUTTON SCENE CONTROLLER/PRESET IN-WALL COUNTDOWN TIMER**

(71) Applicant: **Wenzhou MTL Electric Co., Ltd**,
Yueqing, Zhejiang (CN)

(72) Inventors: **Lidong Ni**, Yueqing (CN); **Wei Gao**,
Yueqing (CN)

(73) Assignee: **WENZHOU MTL ELECTRIC CO., LTD**,
Zhejiang (CN)

(**) Term: **15 Years**

(21) Appl. No.: **29/598,359**

(22) Filed: **Mar. 24, 2017**

(51) **LOC (11) Cl.** **10-03**

(52) **U.S. Cl.**
USPC **D10/40**

(58) **Field of Classification Search**
USPC D10/1, 2-3, 5-7, 14-15, 22-28, 40-41,
D10/46.1, 46.2, 49-50, 52, 55, 59,
D10/122-124, 126-128, 132;
D14/170-171, 197, 218, 489-490, 492;
D15/28; D20/20-21, 29; D7/589
CPC G04B 19/00; G04B 19/04; G04B 19/042;
G04B 19/044; G04B 19/06; G04B
19/065; G04B 19/08; G04B 19/085;
G04B 19/26; G04B 19/264; G04B
45/0069; G04B 47/02; G04B 47/04;
G04B 47/048; G04C 3/001; G04C 19/00;
G04C 19/02; G04C 19/06; G04F 1/00;
G04F 3/00; G04F 3/02; A47J 31/407
See application file for complete search history.

(56) **References Cited**

U.S. PATENT DOCUMENTS

D331,741 S * 12/1992 Fujiyoshi D13/169
D462,660 S * 9/2002 Huang D13/139.3
6,930,260 B2 * 8/2005 Clegg H01H 13/70
200/5 A

D518,794 S * 4/2006 Hedderich D13/162
D522,973 S * 6/2006 McLellan D13/164
D545,272 S * 6/2007 Zhang D13/139.3
D563,326 S * 3/2008 Patel D13/164
D563,904 S * 3/2008 Patel D13/164
7,538,285 B2 * 5/2009 Patel H01H 13/705
200/314

(Continued)

OTHER PUBLICATIONS

GE Push Button In-Wall Digital Countdown Timer | posted at
amazon.com; review date Nov. 2015 © 1996-2018, Amazon.com,
Inc. [online][site visited Jul. 27, 2018]. Available from internet:
<<https://www.amazon.com/GE-Countdown-Required-Included-15318/dp/B007BJULYS>> (Year: 2015).*

(Continued)

Primary Examiner — Sandra S Snapp
Assistant Examiner — Katherine Glennon
(74) *Attorney, Agent, or Firm* — Ziegler IP Law Group,
LLC

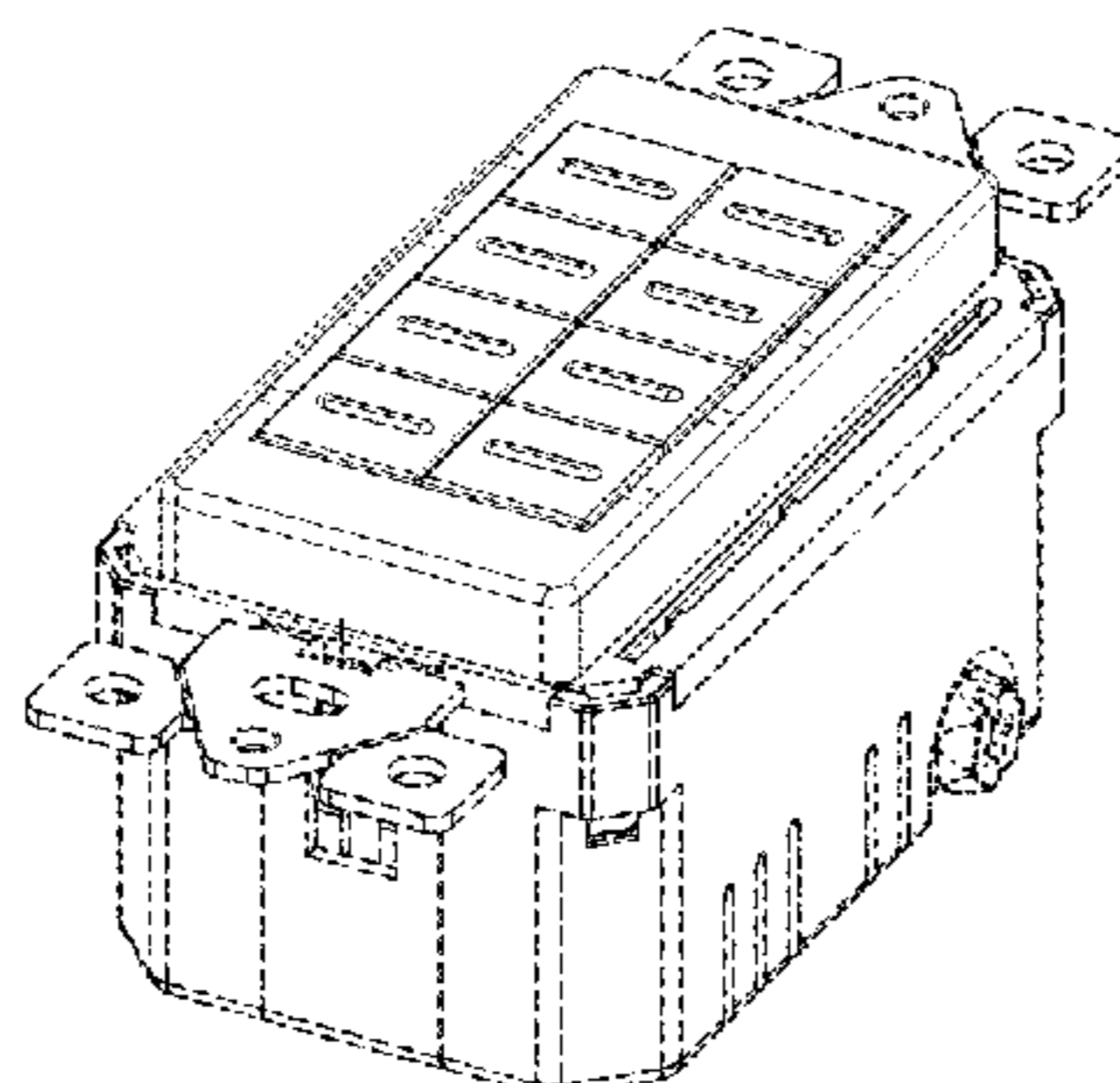
(57) **CLAIM**

The ornamental design for an 8-button scene controller/
preset in-wall countdown timer, as shown and described.

DESCRIPTION

FIG. 1 is a perspective view of 8-button scene controller/
preset in-wall countdown timer;
FIG. 2 is a front view thereof;
FIG. 3 is a left side view thereof;
FIG. 4 is a right side view thereof;
FIG. 5 is a top view thereof;
FIG. 6 is a bottom view thereof; and,
FIG. 7 is a back view thereof.
The broken lines show portions of the 8-button scene
controller/preset in-wall countdown timer that form no part
of the claimed design.

1 Claim, 7 Drawing Sheets



(56)

References Cited

U.S. PATENT DOCUMENTS

D598,868 S * 8/2009 Nishiyama D13/164
D631,852 S * 2/2011 Clymer D13/168
D634,276 S * 3/2011 Chou D13/162
D678,840 S * 3/2013 DeCosta D13/137.1
D682,795 S * 5/2013 McDonald D13/168
D692,331 S * 10/2013 Ni D10/70
D709,390 S * 7/2014 Ni D10/40
9,136,839 B2 * 9/2015 Ni H03K 17/941
D744,952 S * 12/2015 Ni D13/139.3
D768,090 S * 10/2016 Trice D10/40
9,484,682 B2 * 11/2016 Ni H01R 27/02
D774,470 S * 12/2016 Altonen D13/168
D778,239 S * 2/2017 Ni D13/108
9,564,745 B1 * 2/2017 Ni H02G 3/14
D781,161 S * 3/2017 Ni D10/106.6
D791,620 S * 7/2017 Trice D10/40
D795,189 S * 8/2017 Skurdal D13/108

D813,818 S * 3/2018 Ni D13/137.2
2014/0054976 A1 * 2/2014 Ni G05D 23/24
307/117
2014/0354214 A1 * 12/2014 Phelps G07F 15/00
320/107
2016/0377276 A1 * 12/2016 Furry F21V 23/0471
362/642

OTHER PUBLICATIONS

Asian American Expo 2018 Topgreener Blog | posted at topgreener.blog Jan. 2017 [online][site visited Jul. 26, 2018]. Available from internet: <<https://topgreener.blog/asian-american-expo-2018-recap/>> (Year: 2017).*

TopGreener Timer Switches | posted at topgreener.blog Dec. 2017 [online][site visited Jul. 26, 2018]. Available from internet: <<https://topgreener.blog/topgreener-adds-timer-switches-to-the-lineup>> (Year: 2017).*

* cited by examiner

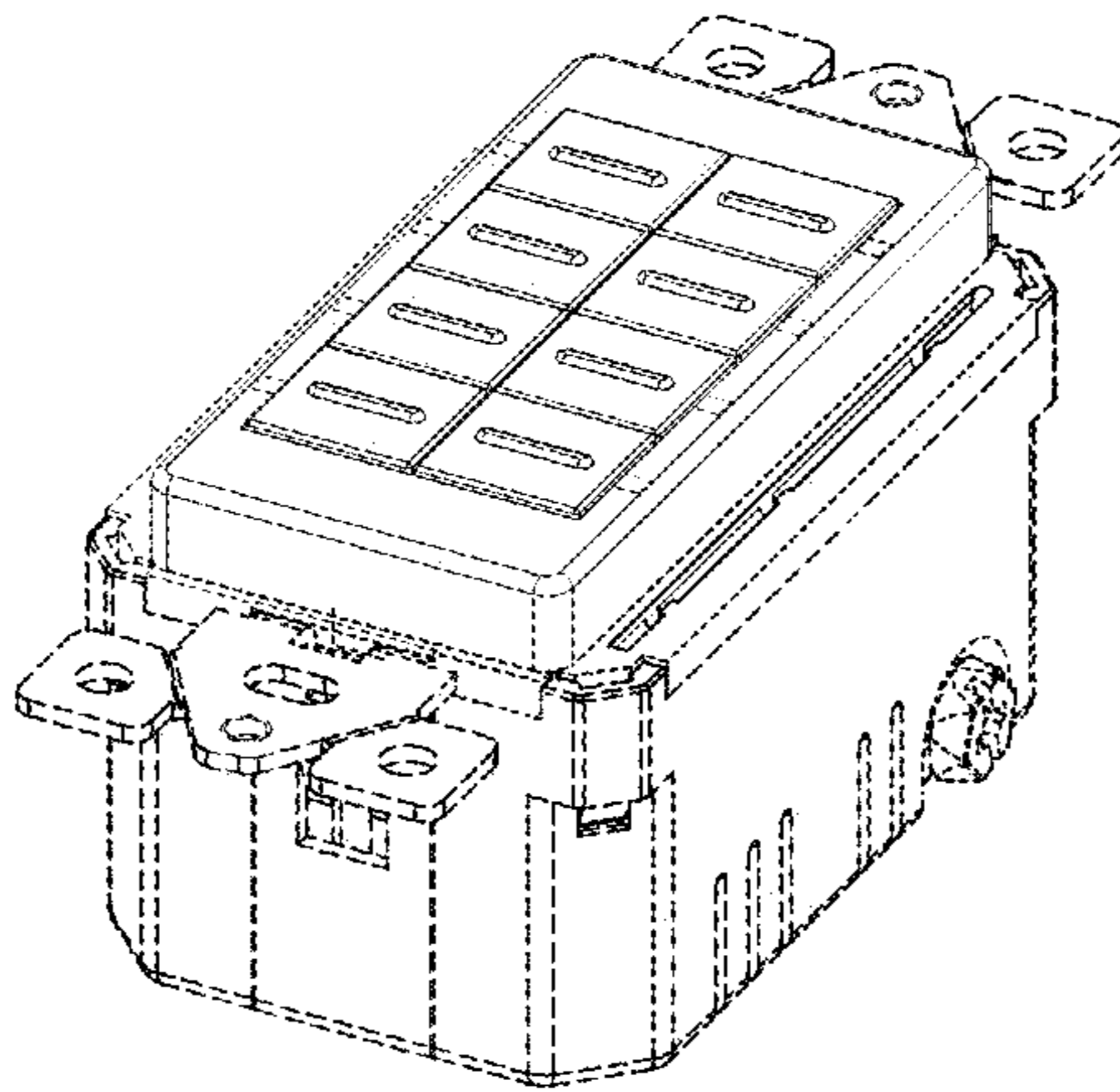


Fig. 1

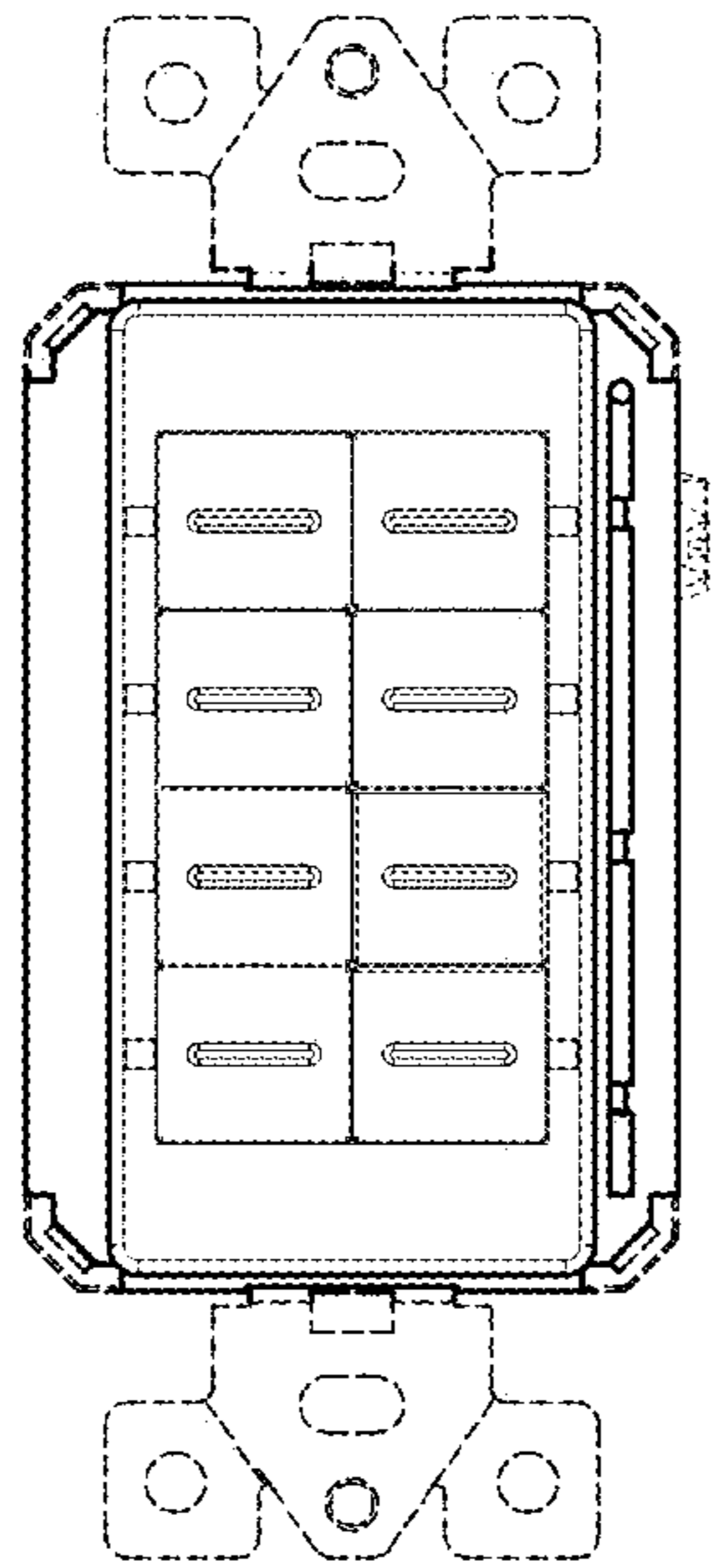


Fig. 2

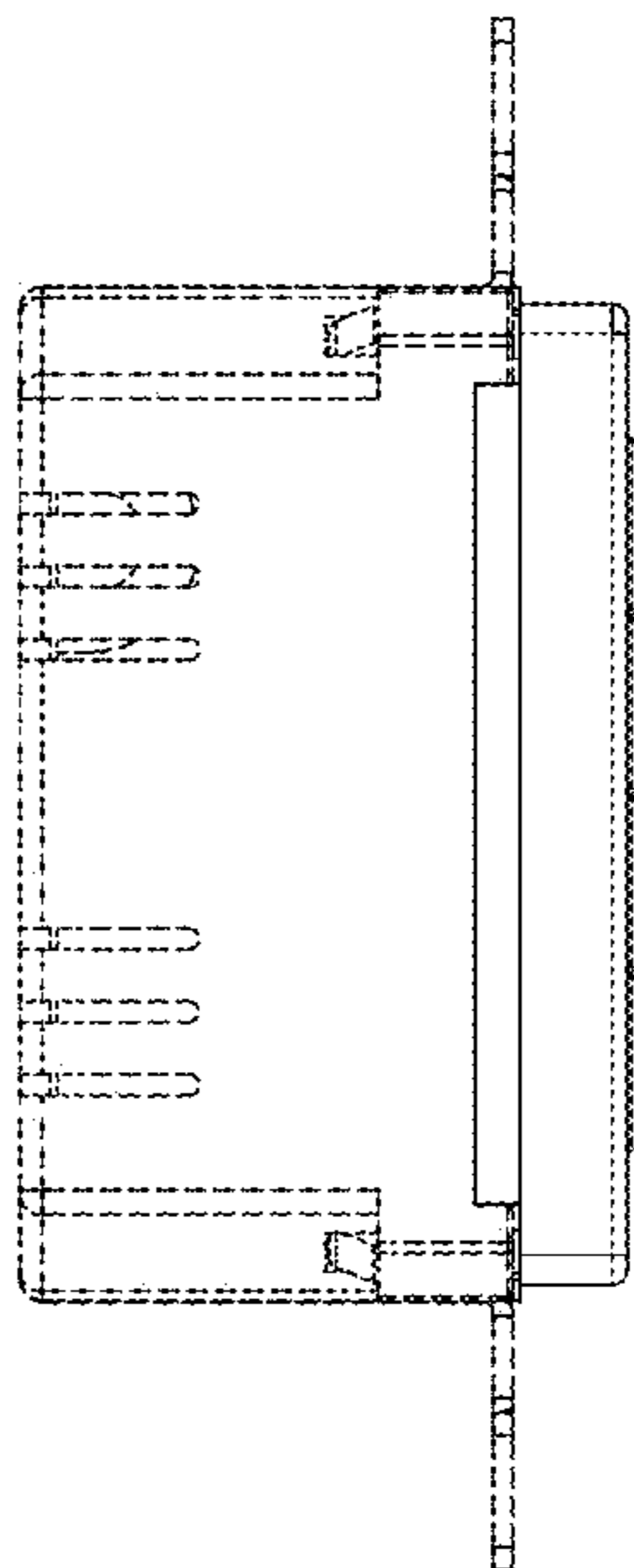


Fig. 3

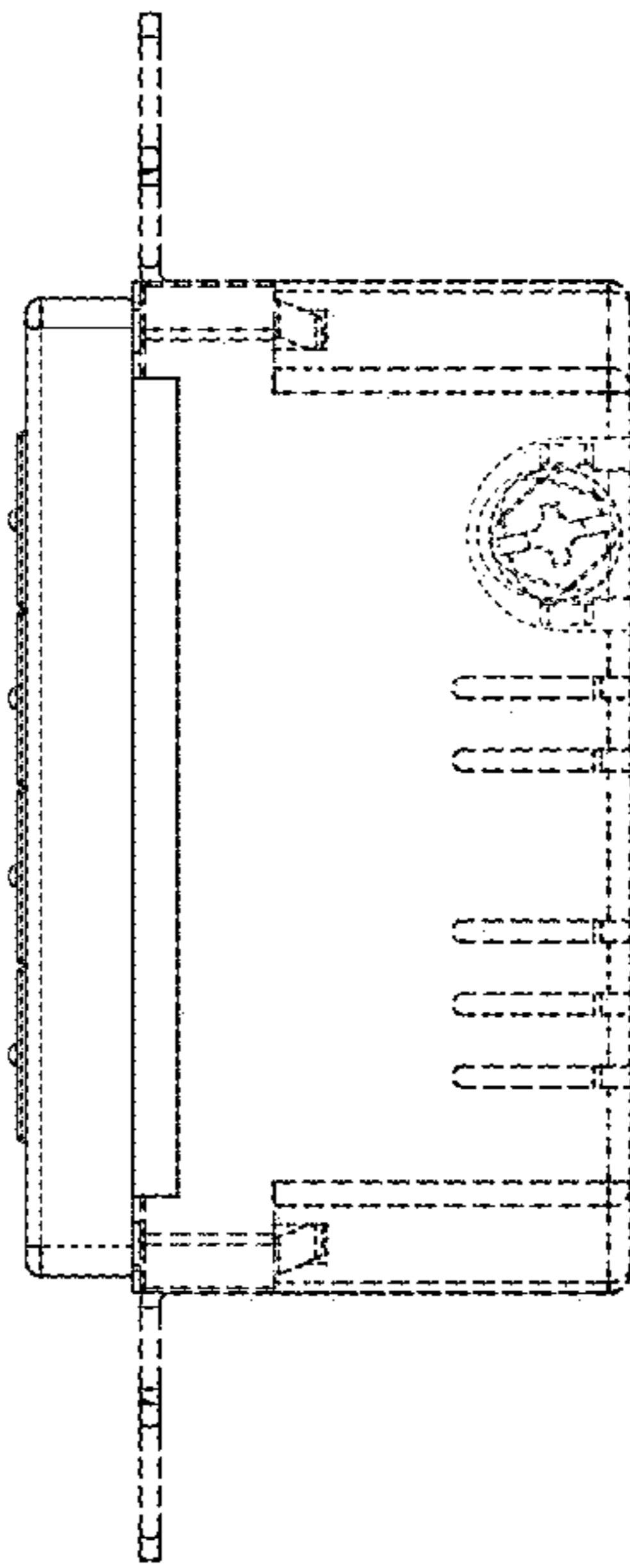


Fig. 4

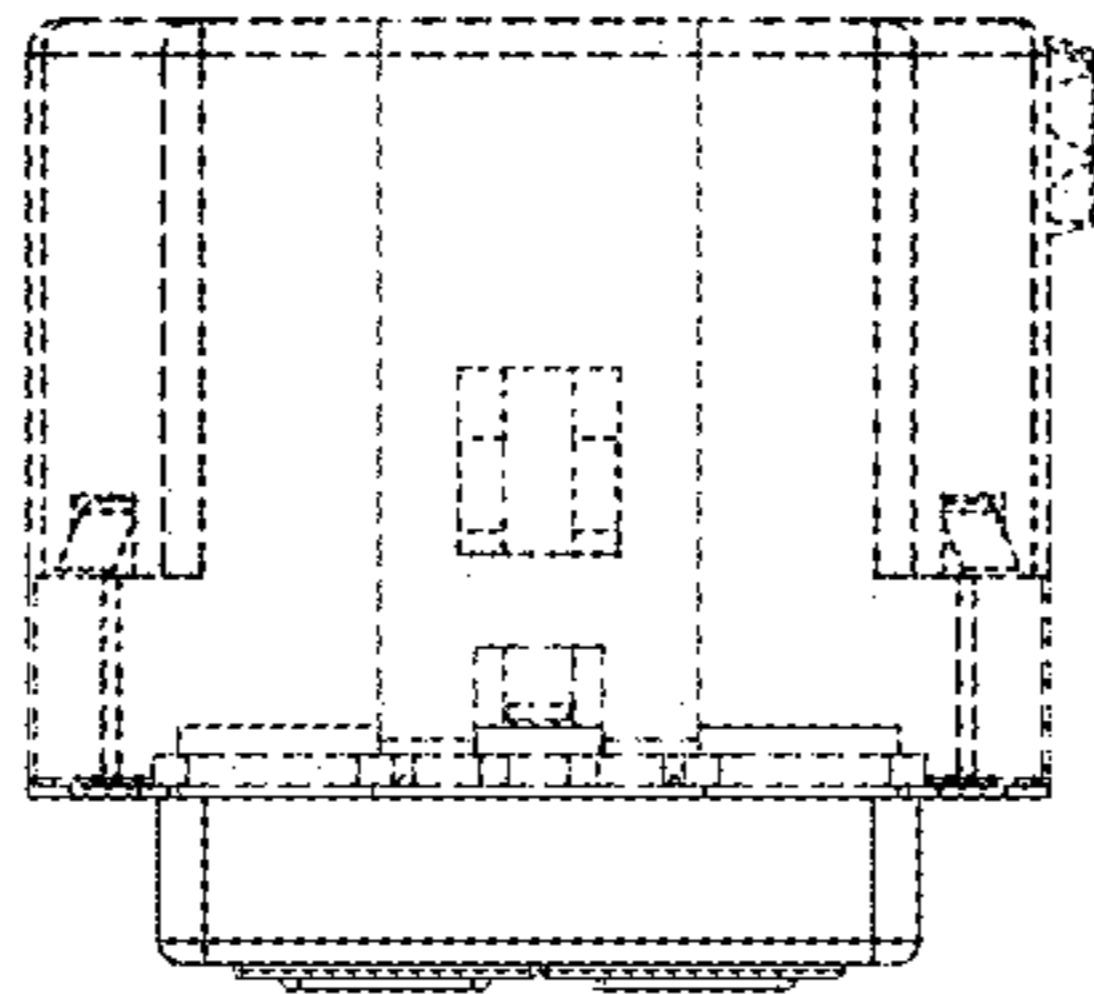


Fig. 5

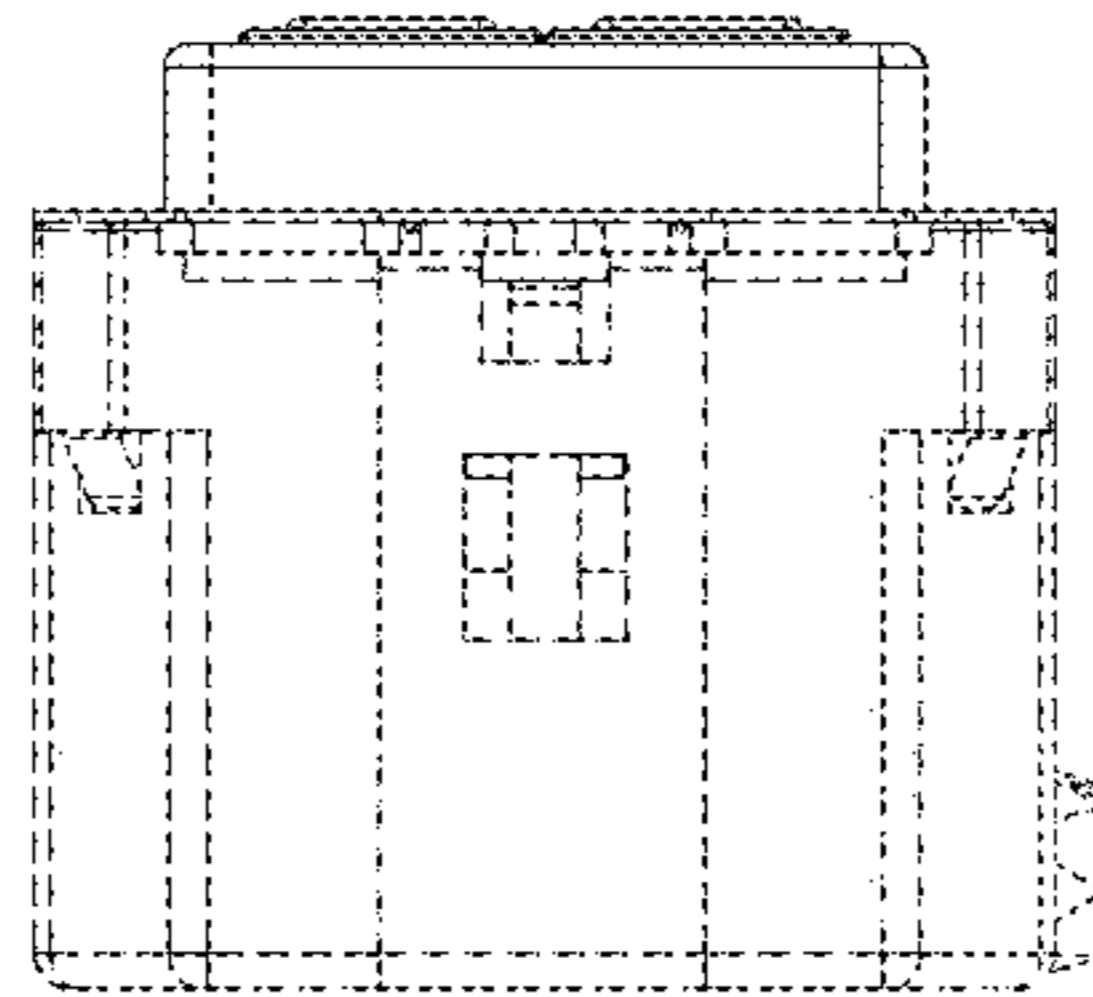


Fig. 6

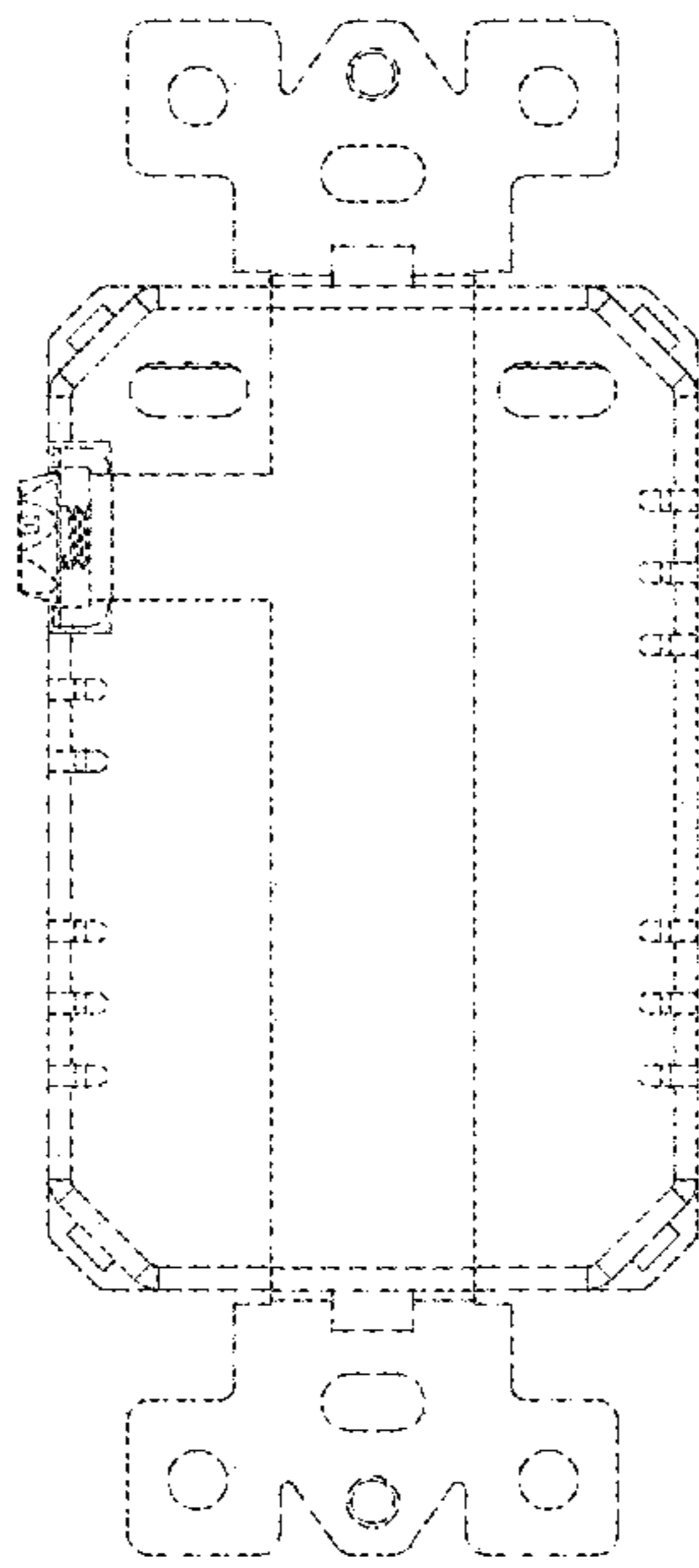


Fig. 7