



US00D852062S

(12) **United States Design Patent**
Kurt

(10) **Patent No.:** **US D852,062 S**

(45) **Date of Patent:** **** Jun. 25, 2019**

(54) **WATCH**

(71) Applicant: **MONDAINE WATCH LTD**, Pfäffikon
(CH)

(72) Inventor: **Daniel Kurt**, Lohn-Ammannsegg (CH)

(73) Assignee: **Mondaine Watch LTD**, Pfaffikon SZ
(CH)

(**) Term: **15 Years**

(21) Appl. No.: **35/504,723**

(22) Filed: **Mar. 15, 2018**

(80) **Hague Agreement Data**

Int. Filing Date: **Mar. 15, 2018**

Int. Reg. No.: **DM/100321**

Int. Reg. Date: **Mar. 15, 2018**

Int. Reg. Pub. Date: **Apr. 6, 2018**

(51) **LOC (11) Cl.** **10-02**

(52) **U.S. Cl.**
USPC **D10/39**

(58) **Field of Classification Search**
USPC D10/30, 32, 39
See application file for complete search history.

(56) **References Cited**

U.S. PATENT DOCUMENTS

D320,749 S * 10/1991 Tsukahara D10/30
D353,780 S * 12/1994 Schneider D10/32

D383,402 S * 9/1997 Takeichi D10/30
D409,097 S * 5/1999 Monachon D10/32
D410,394 S * 6/1999 Bulgari D10/30
D580,280 S * 11/2008 Takahashi D10/39
D720,240 S * 12/2014 Takahashi D10/39
D754,550 S * 4/2016 Izuka D10/30
D796,348 S * 9/2017 Kauffmann D10/30
D820,118 S * 6/2018 Antifora D10/39
D836,008 S * 12/2018 Schoepfer D10/39

* cited by examiner

Primary Examiner — George D. Kirschbaum

(74) *Attorney, Agent, or Firm* — Blank Rome LLP

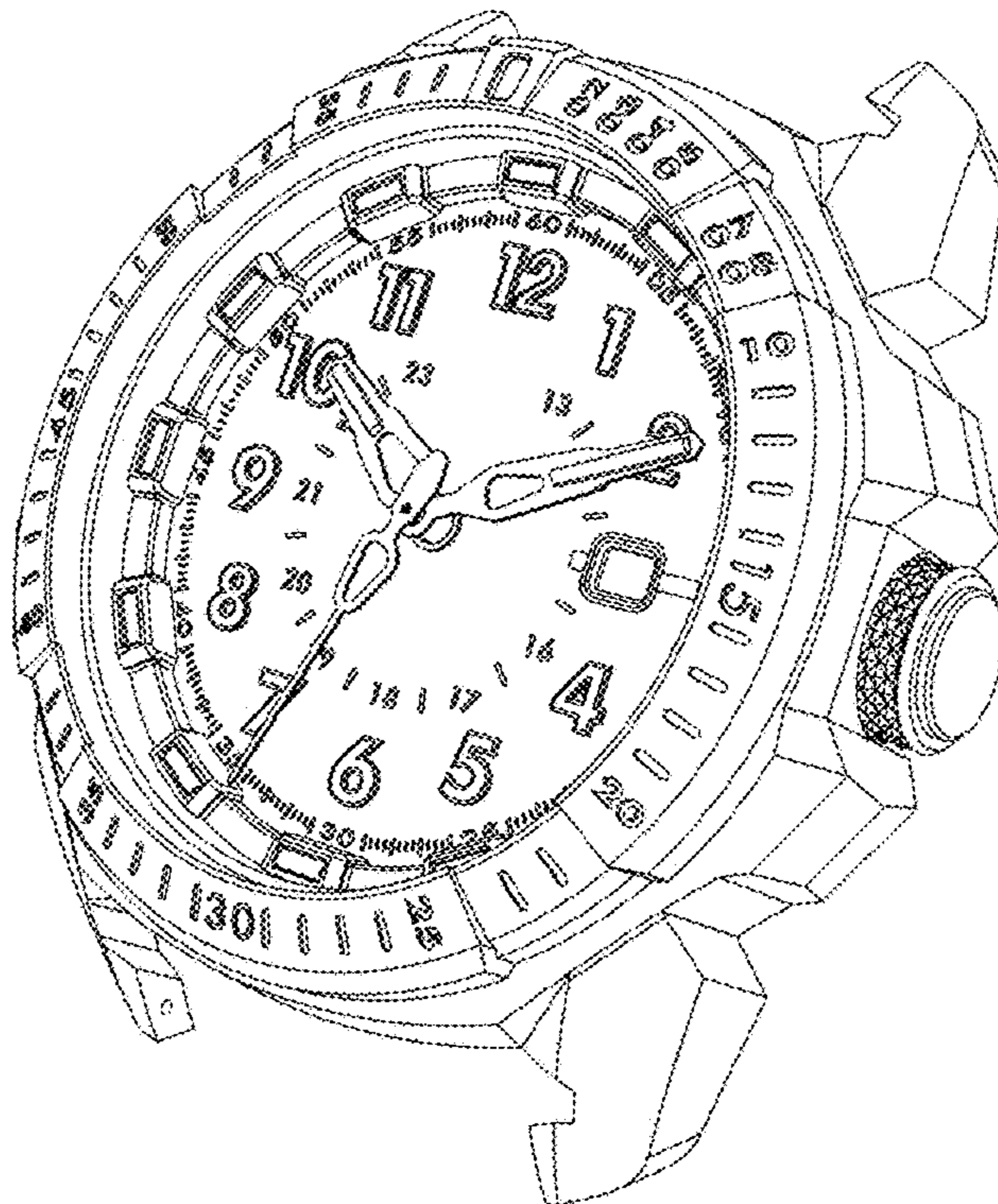
(57) **CLAIM**

The ornamental design for a watch, as shown and described.

DESCRIPTION

1. Watch
FIG. 1.1 is a front view of a watch showing my new design;
FIG. 1.2 is a bottom view thereof;
FIG. 1.3 is a top view thereof;
FIG. 1.4 is a right side view thereof;
FIG. 1.5 is a left side view thereof;
FIG. 1.6 is a back view thereof; and
FIG. 1.7 is a top, right perspective view thereof.

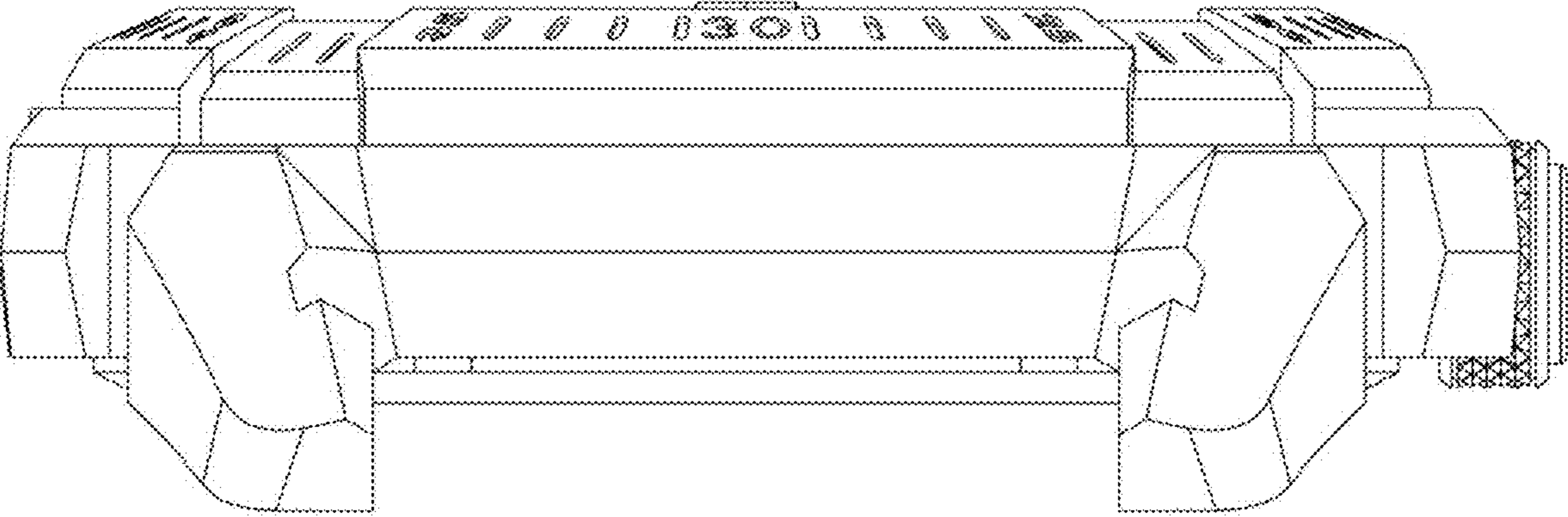
1 Claim, 7 Drawing Sheets



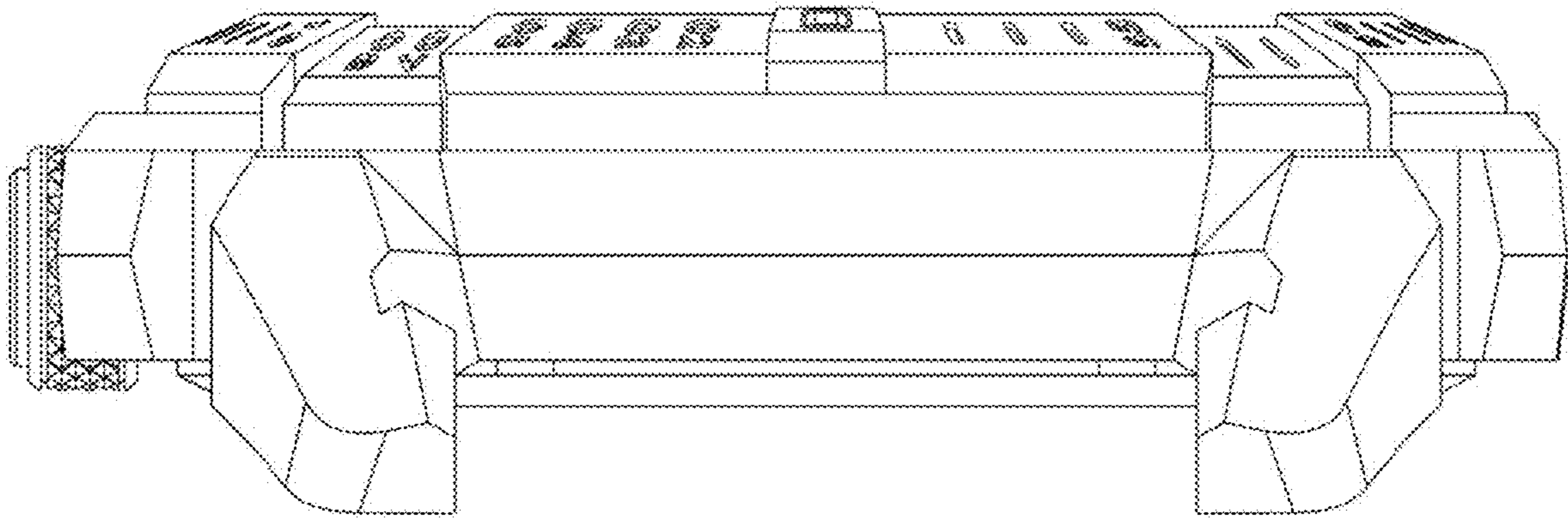
1.1



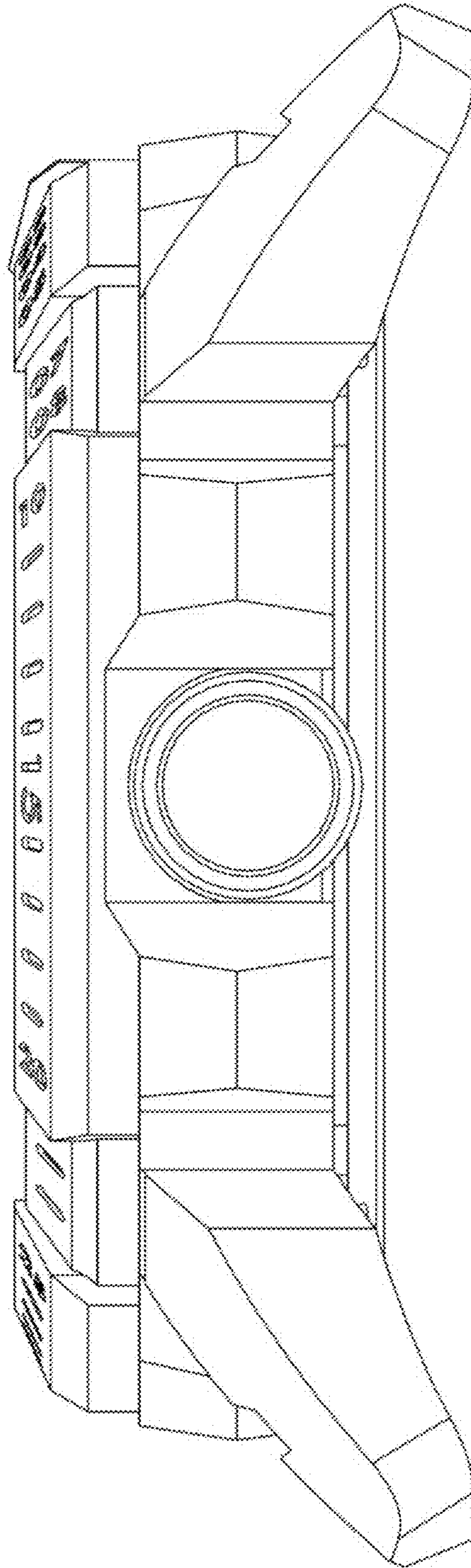
1.2



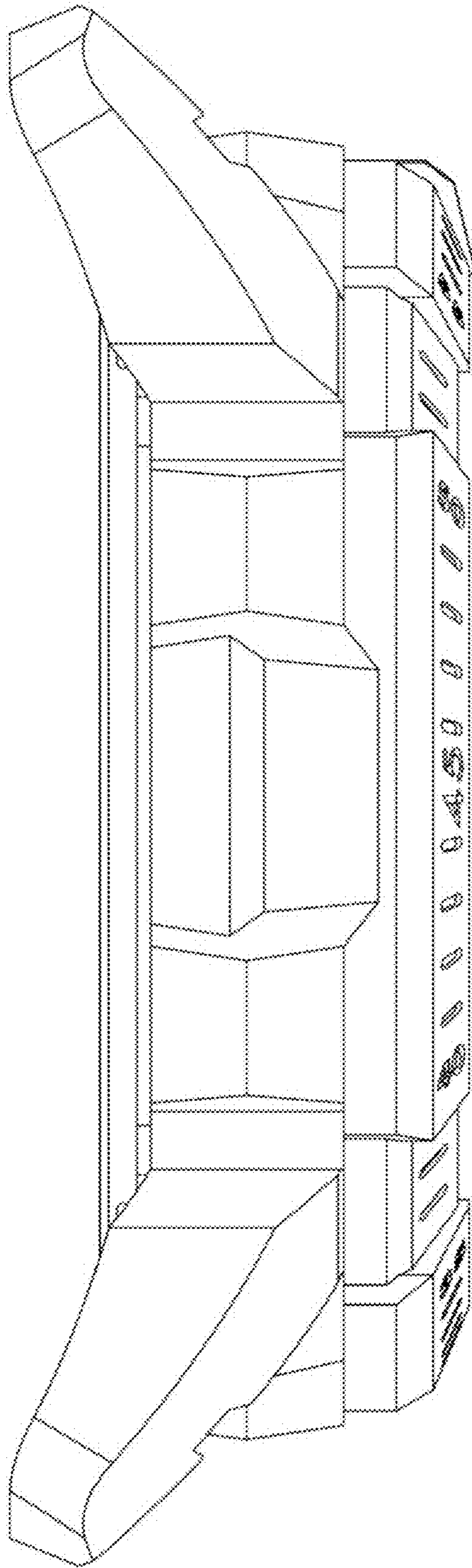
1.3



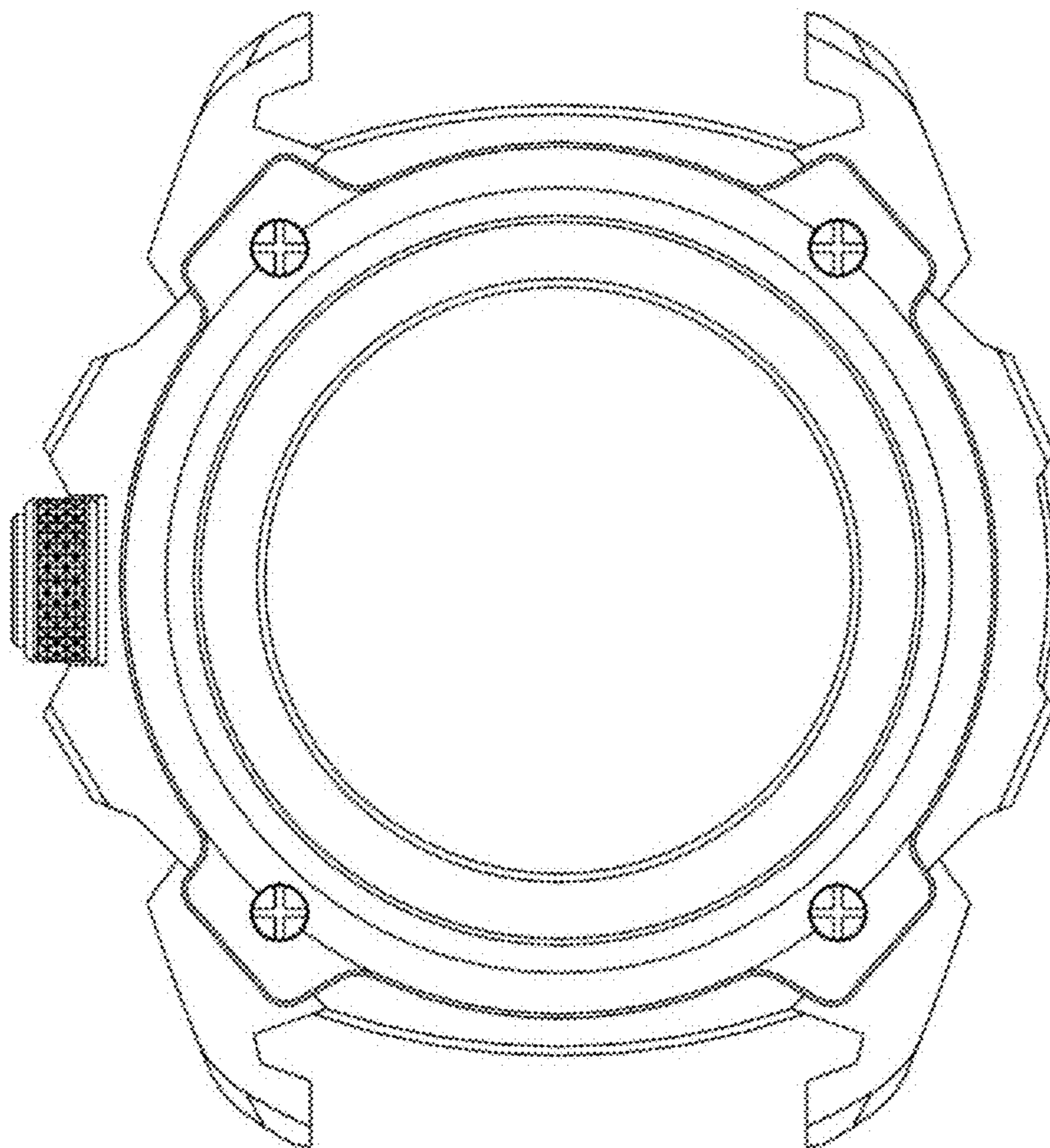
1.4



1.5



1.6



1.7

