



US00D852061S

(12) **United States Design Patent**
Lehanneur

(10) **Patent No.:** **US D852,061 S**

(45) **Date of Patent:** **** *Jun. 25, 2019**

(54) **COSMETICS APPLICATOR**

(71) Applicant: **L'OREAL**, Paris (FR)

(72) Inventor: **Mathieu Lehanneur**, Paris (FR)

(73) Assignee: **L'OREAL**, Paris (FR)

(*) Notice: This patent is subject to a terminal disclaimer.

(**) Term: **15 Years**

(21) Appl. No.: **29/546,870**

(22) Filed: **Nov. 26, 2015**

(30) **Foreign Application Priority Data**

May 27, 2015 (EP) 002707992-001

(51) **LOC (11) Cl.** **09-01**

(52) **U.S. Cl.**
USPC **D9/726**

(58) **Field of Classification Search**
USPC D3/202, 203.1; D6/512, 515; D9/516,
D9/529, 549, 550, 556, 558, 571,
D9/723-727; D24/100, 108, 115; D28/4,
D28/7, 9, 73, 76, 85; 206/385, 438, 823;
222/206, 212, 213, 215; 604/295;
606/204.25

CPC A45D 34/04; A45D 34/042; A45D 40/00;
A45D 40/26; A45D 40/262; B65D 1/023;
B65D 47/18; B65D 41/02; B65D 2203/00

See application file for complete search history.

(56) **References Cited**

U.S. PATENT DOCUMENTS

4,940,350 A * 7/1990 Kim A45D 34/041
401/209

D430,703 S * 9/2000 Leslie D28/10
D459,216 S * 6/2002 Heijdenrijk D9/726
D504,542 S * 4/2005 Noh D28/76
D505,623 S * 5/2005 Bernard D9/504
D506,027 S * 6/2005 Angeletta D28/7
7,618,208 B2 * 11/2009 Baines A45D 40/261
401/213
D680,265 S * 4/2013 DeMarco D28/7
2002/0071708 A1 * 6/2002 Fontanet A45D 34/04
401/202
2004/0005186 A1 * 1/2004 Ueda B65D 47/42
401/194
2004/0018039 A1 * 1/2004 Richard A45D 33/12
401/215
2011/0103880 A1 * 5/2011 Cronin A45D 40/0087
401/262

* cited by examiner

Primary Examiner — Derrick E Holland

Assistant Examiner — Janice Patyk

(74) *Attorney, Agent, or Firm* — Lombard & Gelieber,
LLP; Eric J. Huang, Esq.

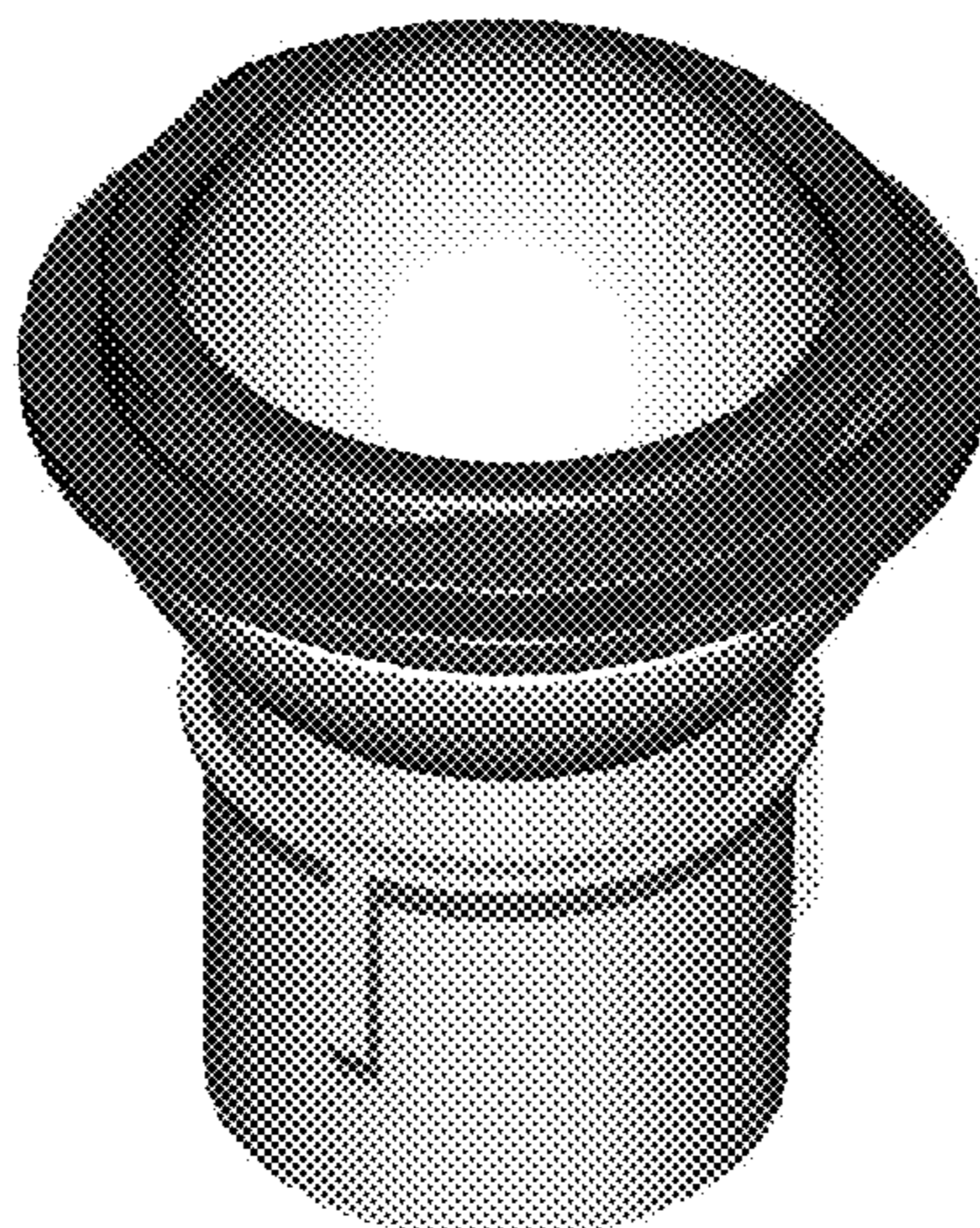
(57) **CLAIM**

The ornamental design for a cosmetics applicator, as shown and described.

DESCRIPTION

FIG. 1 is a top, side perspective view of a cosmetics applicator, showing my new design; FIG. 2 is a side view thereof; and, FIG. 3 is a bottom, side perspective view thereof.

1 Claim, 3 Drawing Sheets



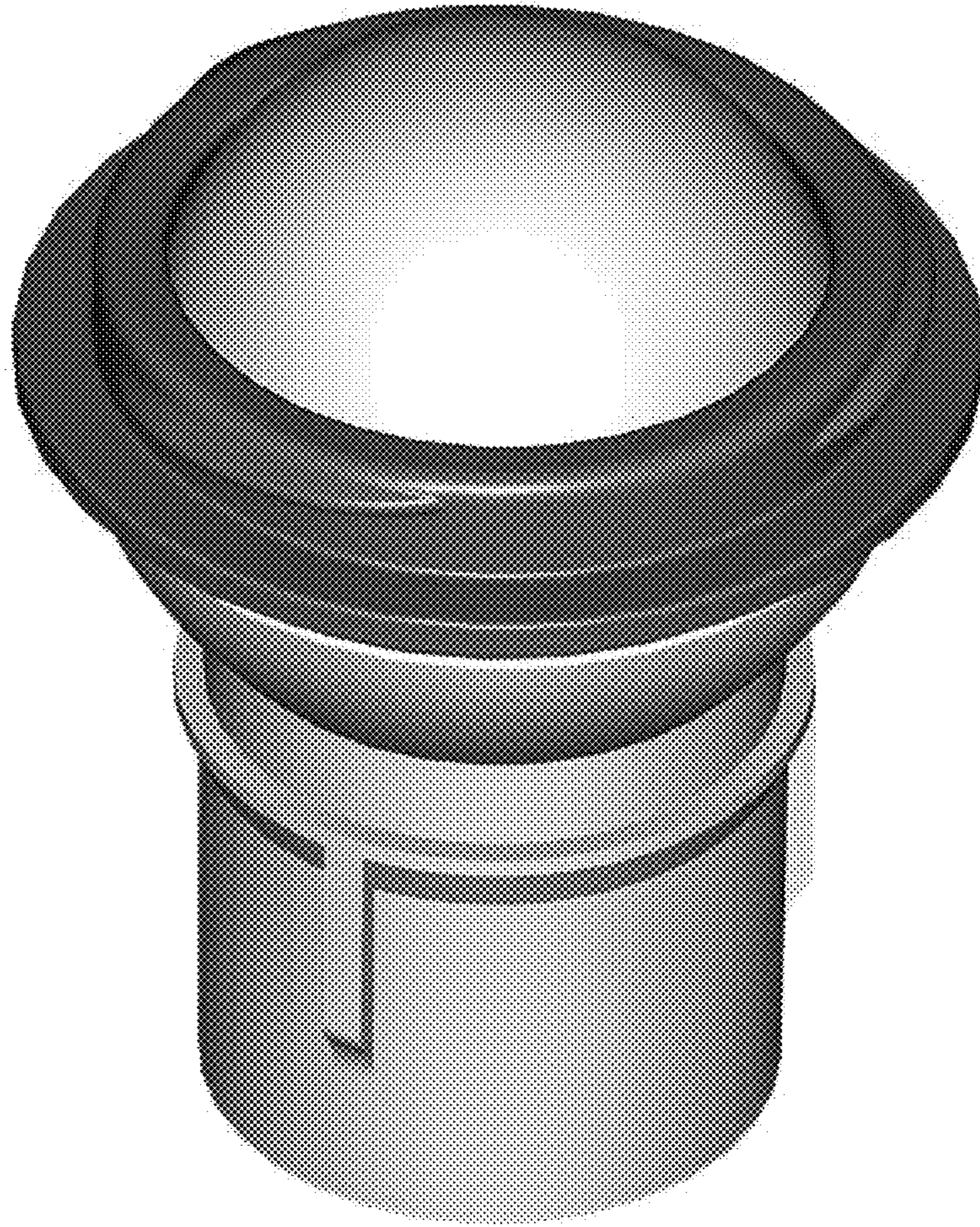


Fig. 1

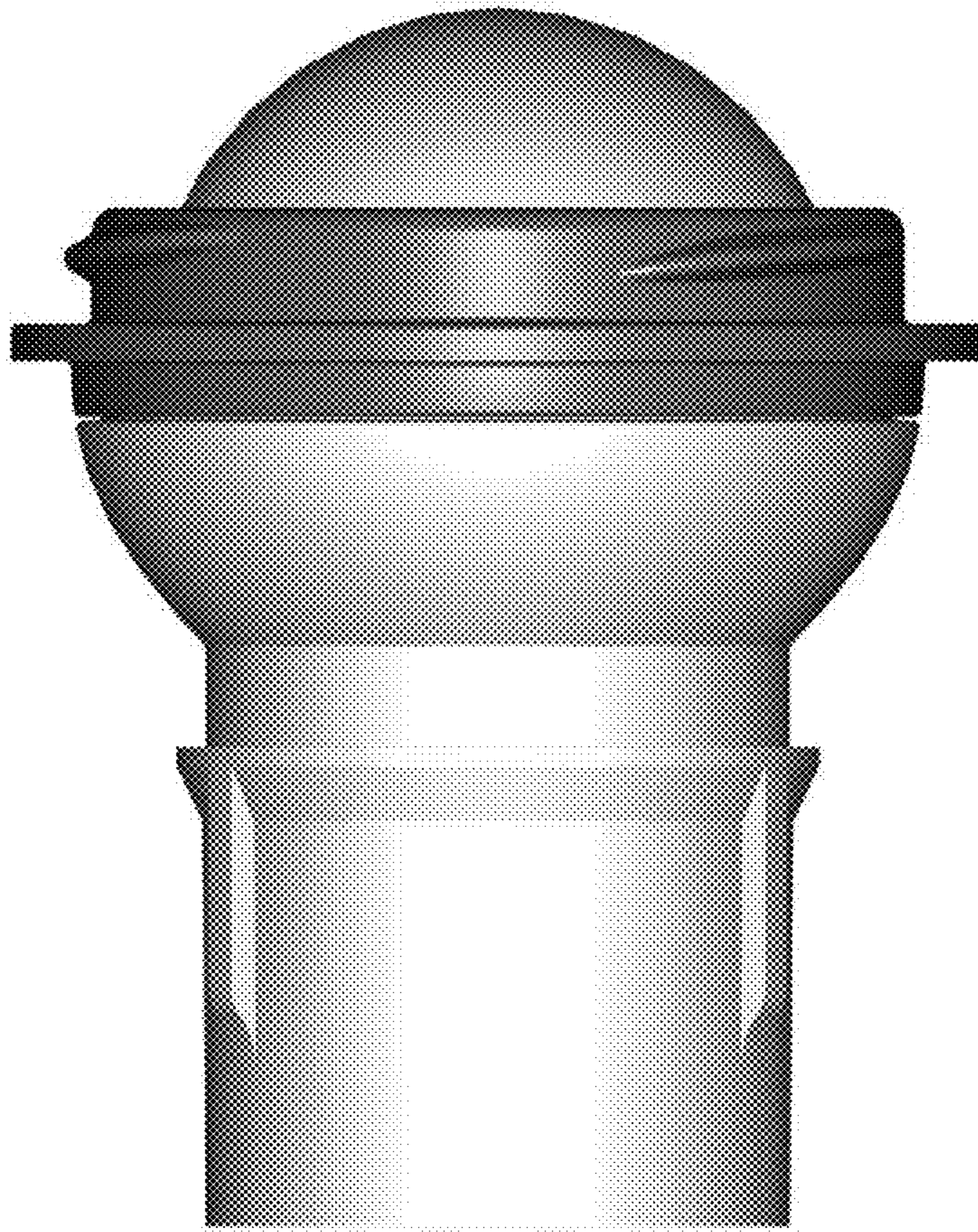


Fig. 2



Fig. 3