



US00D852059S

(12) **United States Design Patent**
Nagata

(10) **Patent No.:** **US D852,059 S**
(45) **Date of Patent:** **** Jun. 25, 2019**

- (54) **BOTTLE FOR COSMETICS**
- (71) Applicant: **Kaori Nagata**, Tokyo (JP)
- (72) Inventor: **Kaori Nagata**, Tokyo (JP)
- (73) Assignee: **SHISEIDO CO., LTD.**, Tokyo (JP)
- (**) Term: **15 Years**

D643,743 S *	8/2011	Yu	D9/689
D680,443 S *	4/2013	You	D9/691
D698,251 S *	1/2014	Wade	D9/435
D714,157 S *	9/2014	Albertini	D9/560
D715,156 S *	10/2014	Park	D9/688
D723,934 S *	3/2015	Kim	D9/691
D735,052 S *	7/2015	Hwang	D9/690
D739,250 S *	9/2015	Rohit	D9/529
D739,251 S *	9/2015	Kawai	D9/435

(Continued)

- (21) Appl. No.: **29/639,729**
- (22) Filed: **Mar. 8, 2018**
- (51) **LOC (11) Cl.** **09-01**
- (52) **U.S. Cl.**
USPC **D9/690**; D9/682
- (58) **Field of Classification Search**
USPC D9/682-694, 503, 505, 537-560,
D9/723-729, 730, 733, 435, 436, 439,
D9/442, 444, 445, 448-450, 452;
D28/76-91.1
CPC .. A45D 34/02; A45D 34/04; A45D 2034/002;
A45D 2200/054; A45D 2200/055; A45D
2200/056; A45D 2200/057; A45D
2034/005; A45D 2034/007; B05B
11/00-3098
See application file for complete search history.

FOREIGN PATENT DOCUMENTS

KR	300566794.0000	*	7/2010
KR	300664853.0000	*	10/2012

(Continued)

Primary Examiner — Catherine A Tuttle
(74) *Attorney, Agent, or Firm* — Manabu Kanesaka

(57) **CLAIM**

The ornamental design for bottle for cosmetics, as shown and described.

DESCRIPTION

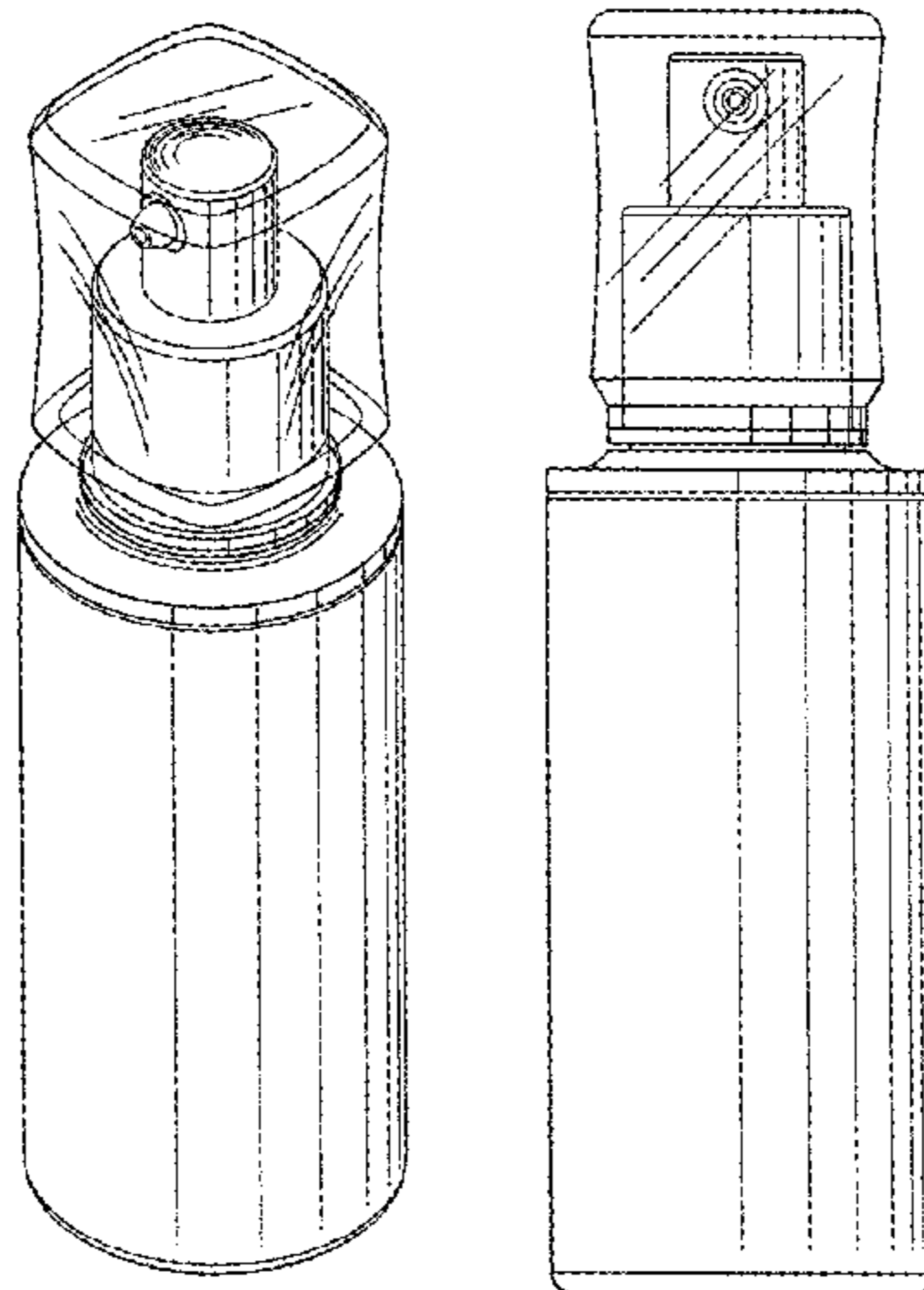
FIG. 1 is a perspective view of a bottle for cosmetics showing my new design;
FIG. 2 is a front view thereof;
FIG. 3 is a rear view thereof;
FIG. 4 is a plan view thereof;
FIG. 5 is a bottom view thereof;
FIG. 6 is a left side view thereof;
FIG. 7 is a right side view thereof; and,
FIG. 8 is a cross-sectional view thereof along the line 8-8 in FIG. 4.

The cap portion is transparent. The broken lines depict portions of the bottle for cosmetics that form no part of claimed design.

1 Claim, 3 Drawing Sheets

(56) **References Cited**
U.S. PATENT DOCUMENTS

D23,274 S *	5/1894	Davids	D9/546
D357,865 S *	5/1995	Hansen	D9/453
D390,117 S *	2/1998	Kan	D9/504
D396,186 S *	7/1998	Fiore	D9/529
D413,793 S *	9/1999	Favre	D9/692
D418,421 S *	1/2000	Mansau	D9/516
D423,922 S *	5/2000	Ohchi	D9/503
D437,212 S *	2/2001	Adachi	D9/686
D448,306 S *	9/2001	de Giovellina	D9/560
6,923,343 B1 *	8/2005	Erleben	B05B 11/3045 215/219
D532,556 S *	11/2006	Noh	D28/76
D615,874 S *	5/2010	Nagata	D9/448



(56)

References Cited

U.S. PATENT DOCUMENTS

D781,715 S * 3/2017 Lee D9/558
D818,840 S * 5/2018 Nagata D9/692

FOREIGN PATENT DOCUMENTS

KR 300868794.0000 * 8/2016
RU 00100825 * 12/2016

* cited by examiner

Fig.1

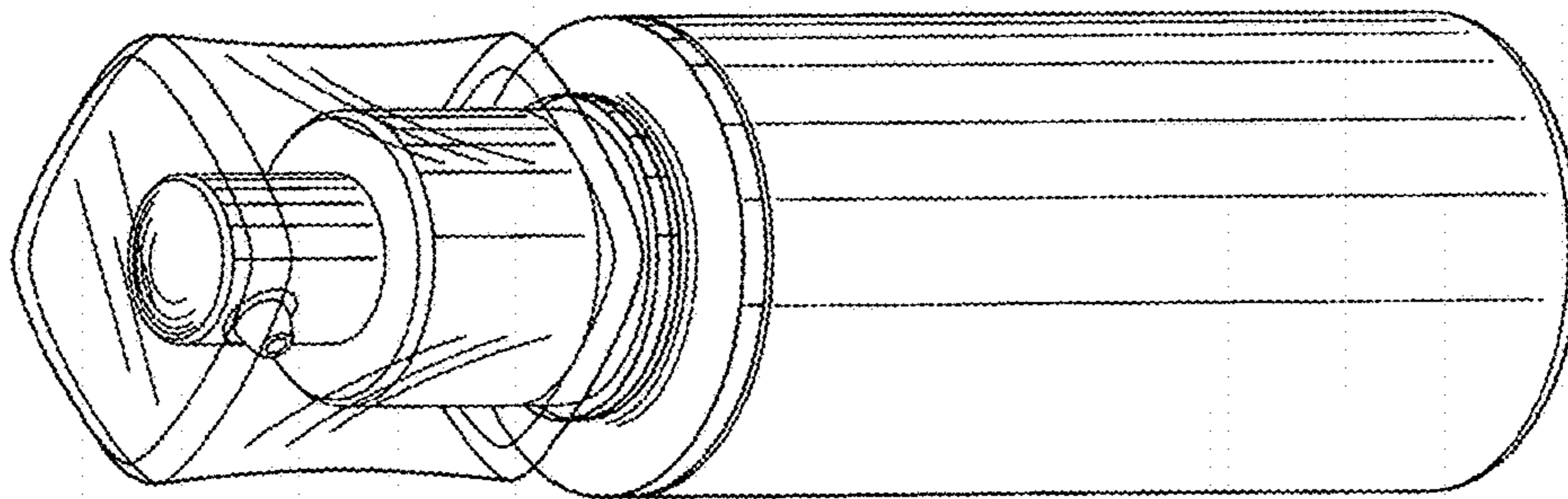


Fig.2

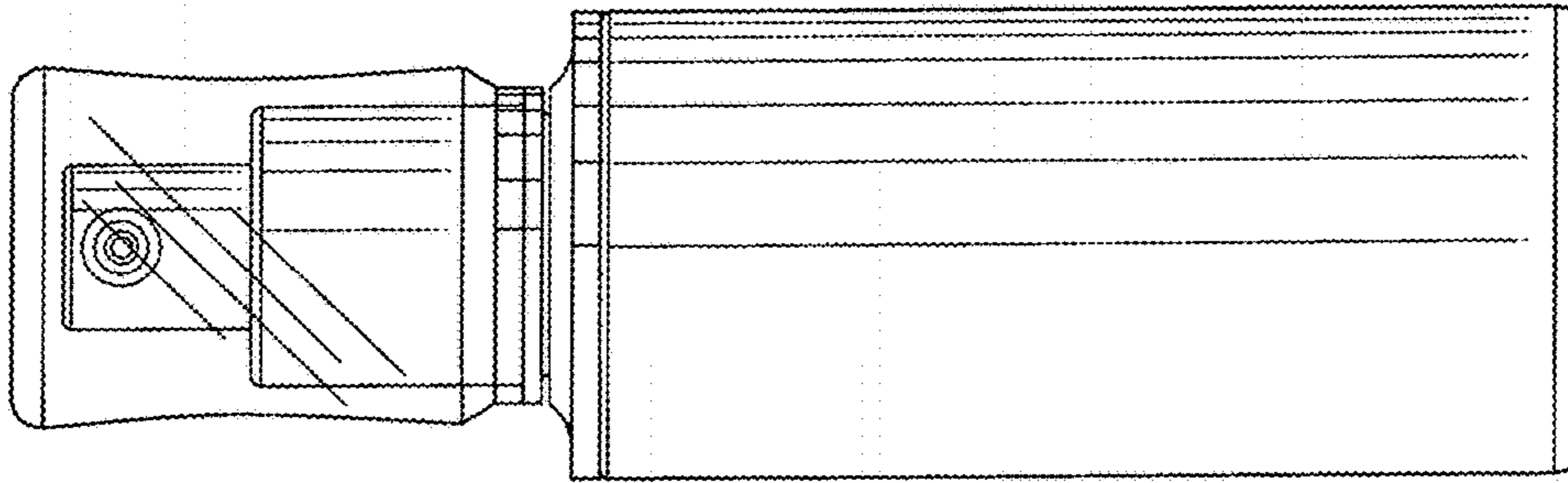
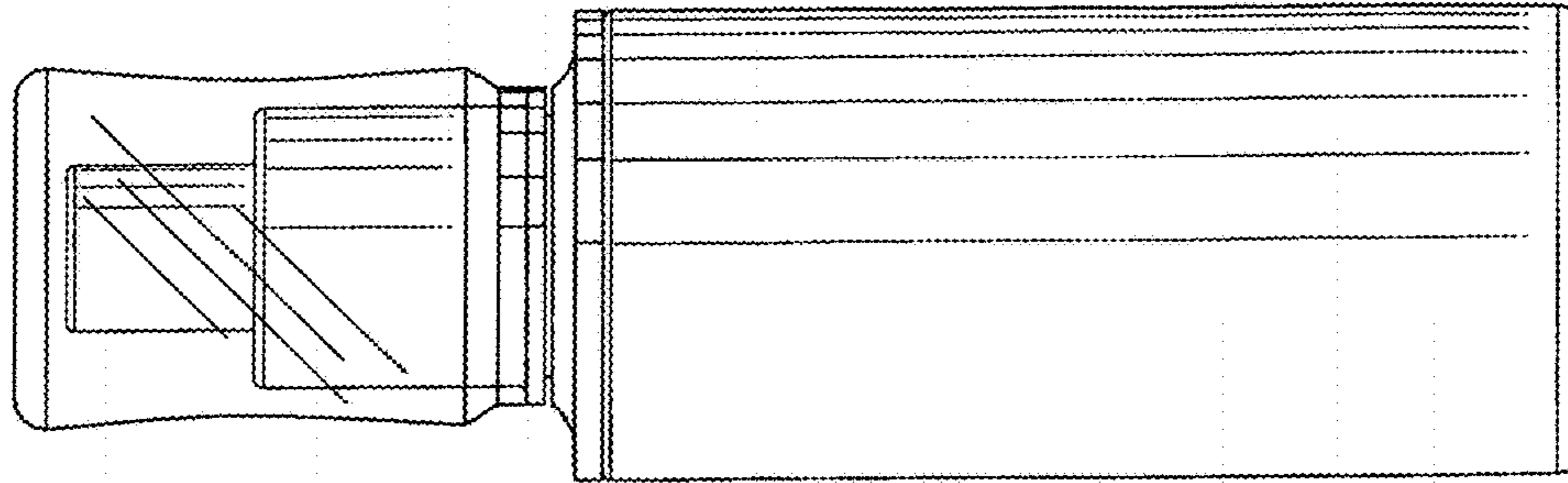


Fig.3



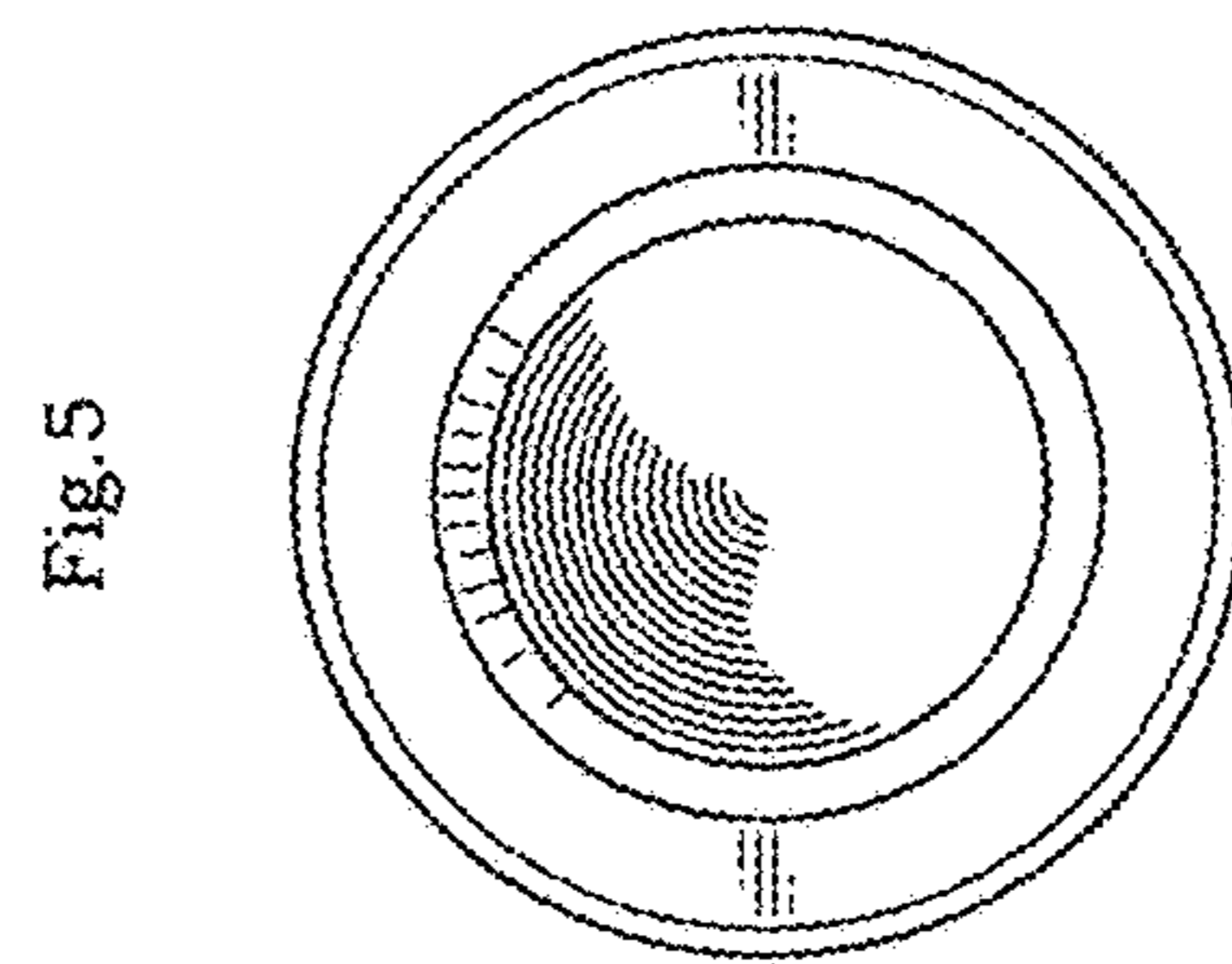
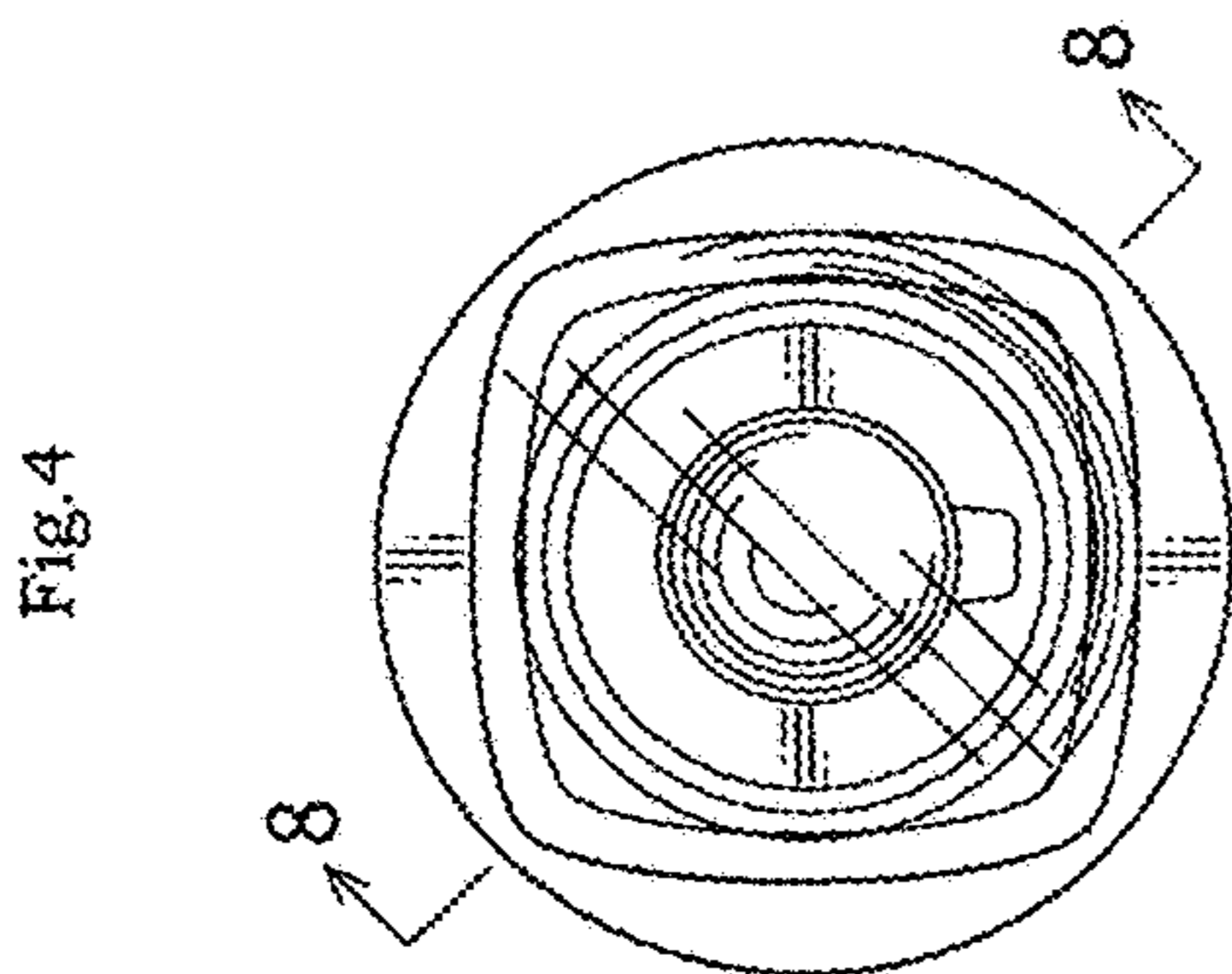
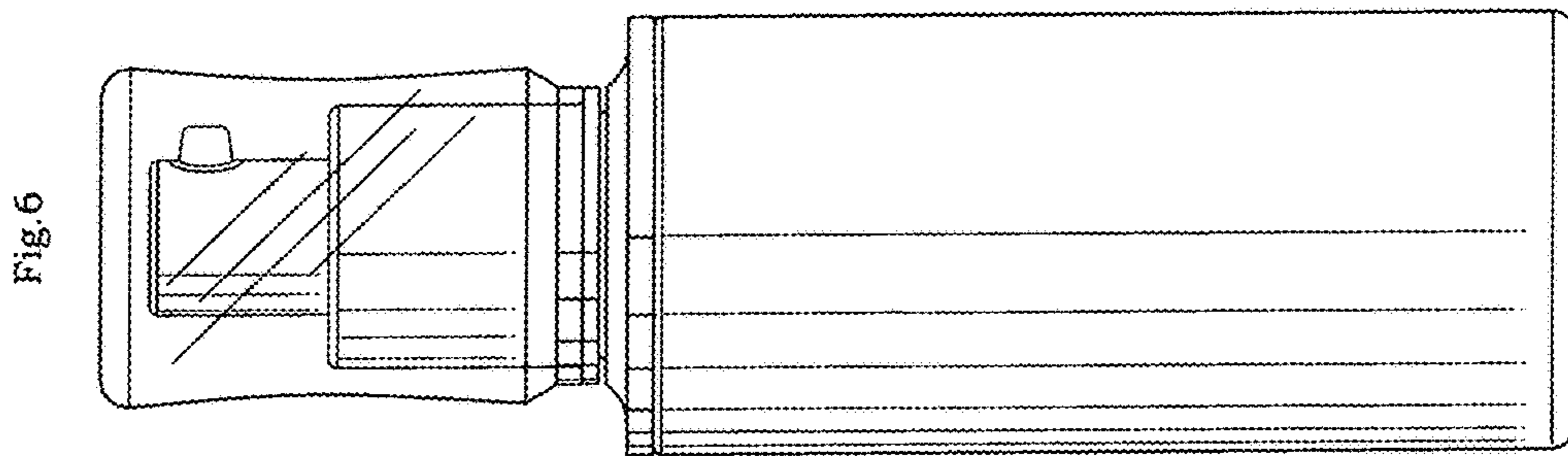
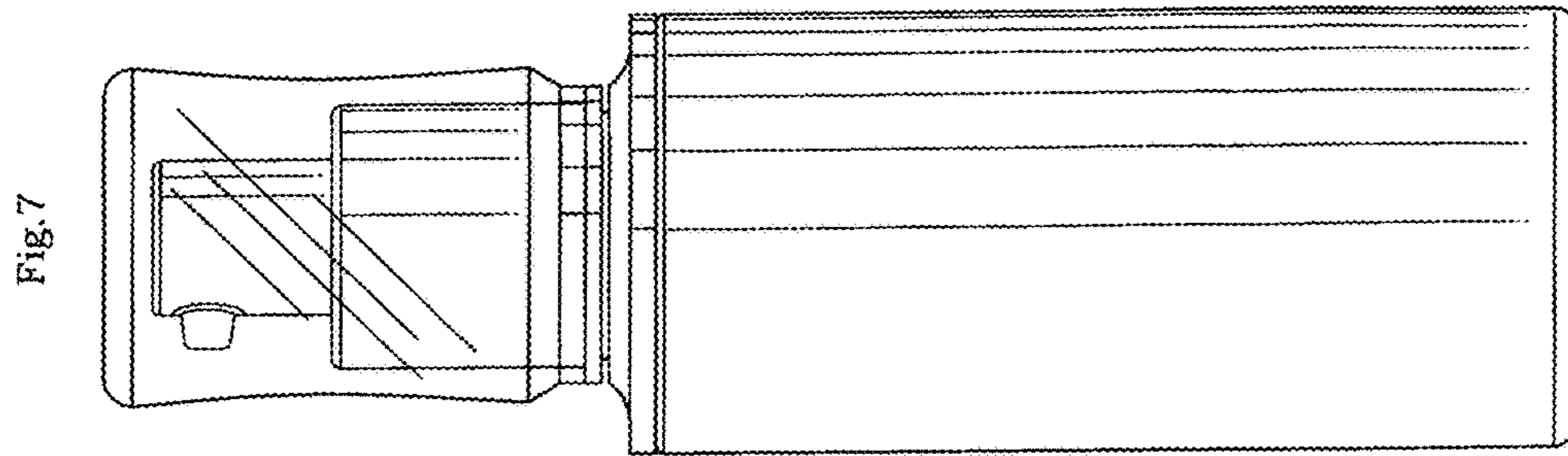


Fig. 8

