



US00D852058S

(12) **United States Design Patent** (10) **Patent No.:** **US D852,058 S**
Silva (45) **Date of Patent:** **** Jun. 25, 2019**

(54) **FOUNDATION PUMP**

(71) Applicant: **Rea.deeming Beauty, Inc.**, Bethlehem, PA (US)

(72) Inventor: **Rea Ann Silva**, Bethlehem, PA (US)

(73) Assignee: **DEA.DEEMING BEAUTY, INC.**, Bethlehem, PA (US)

(**) Term: **15 Years**

(21) Appl. No.: **29/642,585**

(22) Filed: **Mar. 30, 2018**

(51) **LOC (11) Cl.** **09-01**

(52) **U.S. Cl.**
USPC **D9/687**; D9/529

(58) **Field of Classification Search**

USPC D9/682-694, 715, 719, 738-742, 516, D9/517, 529, 544, 560, 563-575, D9/434-436, 448, 721, 730-736, 414, D9/417, 418, 432; D28/76, 77, 83, 91.1
CPC B65D 1/00; B65D 1/0223; B65D 1/0261; B65D 1/04; B65D 1/06; B65D 1/40; B65D 2501/0081; B65D 81/32; B65D 81/325; B65D 81/3255; B65D 83/68; B65D 83/14; B65D 83/16; B65D 83/20; B65D 83/38; B65D 83/75; B65D 83/752; B65D 83/753; B65D 83/30; B65D 83/303; B05B 11/00-3098; A45D 34/00; A45D 34/02; A45D 34/04; A45D 34/041; A45D 34/042; A45D 34/045; A45D 34/046; A45D 34/047; A45D 34/048; A45D 34/06; A45D 2034/002; A45D 2034/005; A45D 2034/007; A45D 40/00; A45D 40/24; A45D 40/26; A45D 40/262; A45D 40/265; A45D 2040/0006; A45D 2040/0012; A45D 2200/05-058

See application file for complete search history.

(56) **References Cited**

U.S. PATENT DOCUMENTS

724,999 A * 4/1903 Hayes B65D 1/0223
215/228
2,299,277 A * 10/1942 Neuschaefer A45D 34/00
206/457
3,366,284 A * 1/1968 Marona G01F 11/082
222/211
D215,817 S * 11/1969 Gorman D9/687

(Continued)

FOREIGN PATENT DOCUMENTS

DE 202014004505 U1 * 7/2014 F41H 9/10
FR 2845576 A1 * 4/2004 A45D 34/02

(Continued)

Primary Examiner — Catherine A Tuttle

(74) *Attorney, Agent, or Firm* — Brooks Acordia IP Law, PC; Pejman Yedidsion

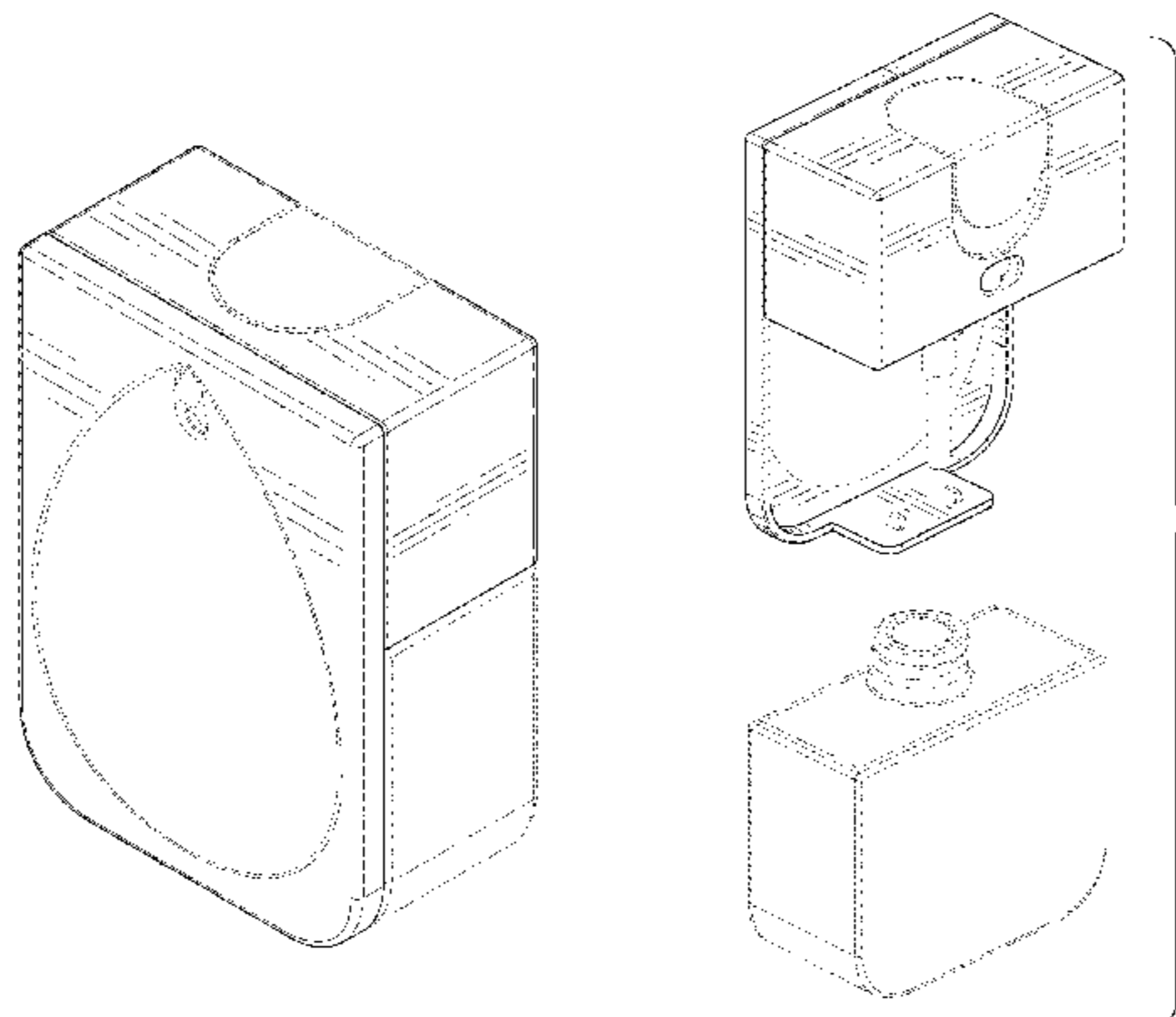
(57) **CLAIM**

The ornamental design for a foundation pump, as shown and described.

DESCRIPTION

FIG. 1 is a top, front and right perspective view of the foundation pump showing my new design;
FIG. 2 is an exploded rear, bottom and left perspective view thereof;
FIG. 3 is an exploded top, front and left perspective view thereof;
FIG. 4 is a rear elevational view thereof;
FIG. 5 is a front elevational view thereof;
FIG. 6 is a left side elevational view thereof;
FIG. 7 is a right side elevational view thereof;
FIG. 8 is top plan view thereof; and,
FIG. 9 is a bottom plan view thereof.

(Continued)



The portions of the foundation pump shown in broken lines are shown for illustrative purposes only and form no part of the claimed design.

1 Claim, 9 Drawing Sheets

(56)

References Cited

U.S. PATENT DOCUMENTS

D271,245 S * 11/1983 Martinez D28/5
 D283,795 S * 5/1986 Demourgues D9/573
 4,662,541 A * 5/1987 Fossati A45D 34/02
 5,429,301 A * 7/1995 Franks B65D 83/384
 222/145.1
 D394,368 S * 5/1998 Mekler D7/605
 6,230,889 B1 * 5/2001 Chen B65D 83/384
 206/1.5
 6,305,580 B1 * 10/2001 Chen B05B 11/3056
 222/162
 D466,403 S * 12/2002 Haas D9/687
 D467,162 S * 12/2002 Viellard D9/560
 D472,802 S * 4/2003 Barnes D9/430
 D477,999 S * 8/2003 Lloyd D9/414
 D491,456 S * 6/2004 Cagle D9/687

D510,868 S * 10/2005 Rae B65D 21/0202
 D9/522
 D593,420 S * 6/2009 Augenbraun D9/529
 D603,716 S * 11/2009 Rica D9/560
 D610,463 S * 2/2010 Duchaufour-Lawrance
 D9/600
 D625,611 S * 10/2010 Higuchi D9/686
 D626,007 S * 10/2010 Mouquet D9/694
 D656,827 S * 4/2012 Mandell D9/516
 D787,946 S * 5/2017 Bontorno D9/434
 D806,556 S * 1/2018 Finch D9/682
 2009/0126758 A1 * 5/2009 Chen A45D 33/22
 132/295
 2010/0275948 A1 * 11/2010 Parker A45D 34/04
 132/293

FOREIGN PATENT DOCUMENTS

FR 2902088 A1 * 12/2007 A45D 34/02
 FR 2922419 A1 * 4/2009 A45D 34/02
 FR 2926191 A3 * 7/2009 A45D 33/20
 WO WO-02052977 A2 * 7/2002 A45D 34/02
 WO WO-02092462 A1 * 11/2002 B65D 77/06
 WO WO-2009077013 A1 * 6/2009 A45D 34/04
 WO WO-2010067004 A1 * 6/2010 A45D 33/32
 WO WO-2010131822 A1 * 11/2010 A45D 34/00
 WO WO-2012164470 A1 * 12/2012 A47L 25/00

* cited by examiner

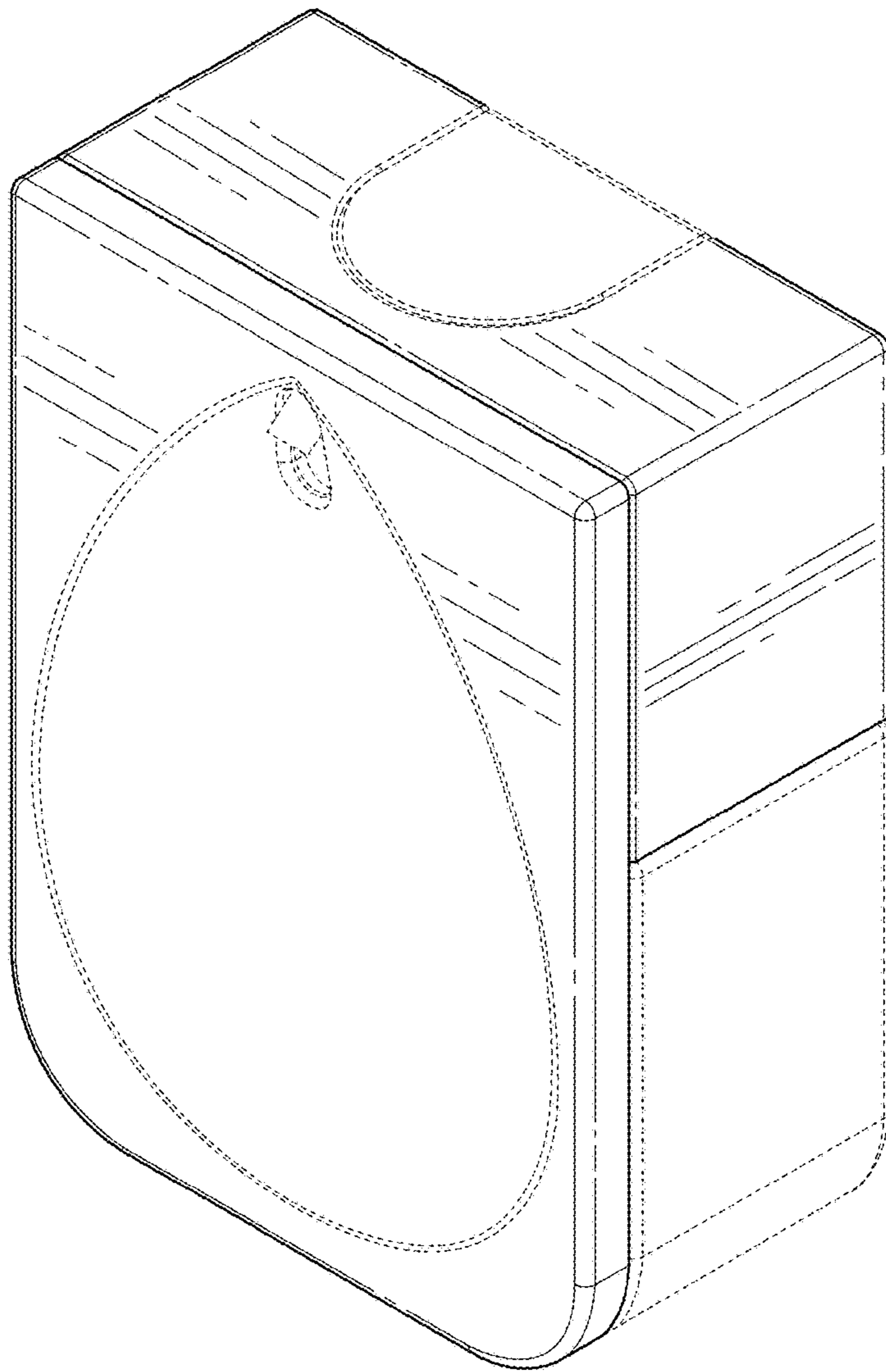


FIG. 1

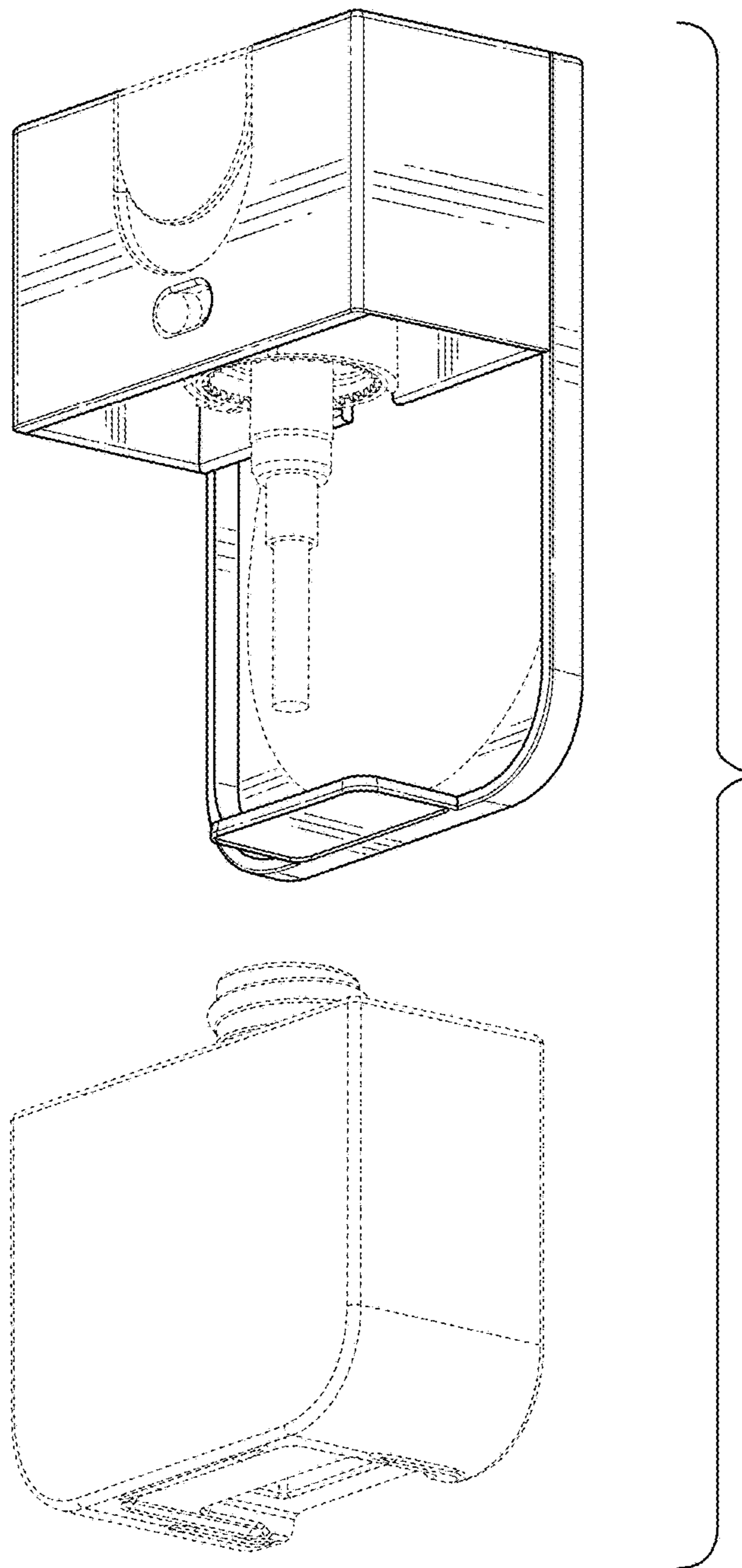


FIG. 2

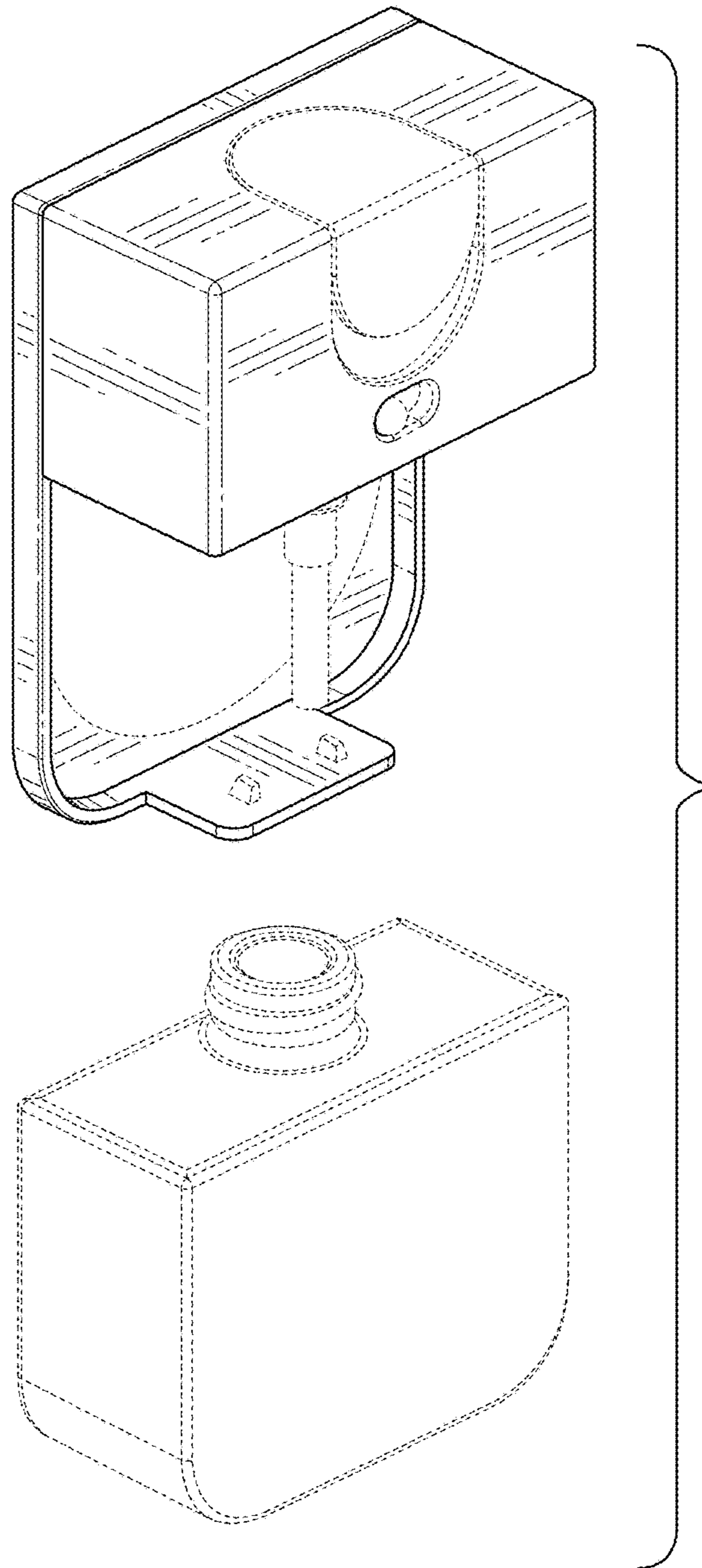


FIG. 3

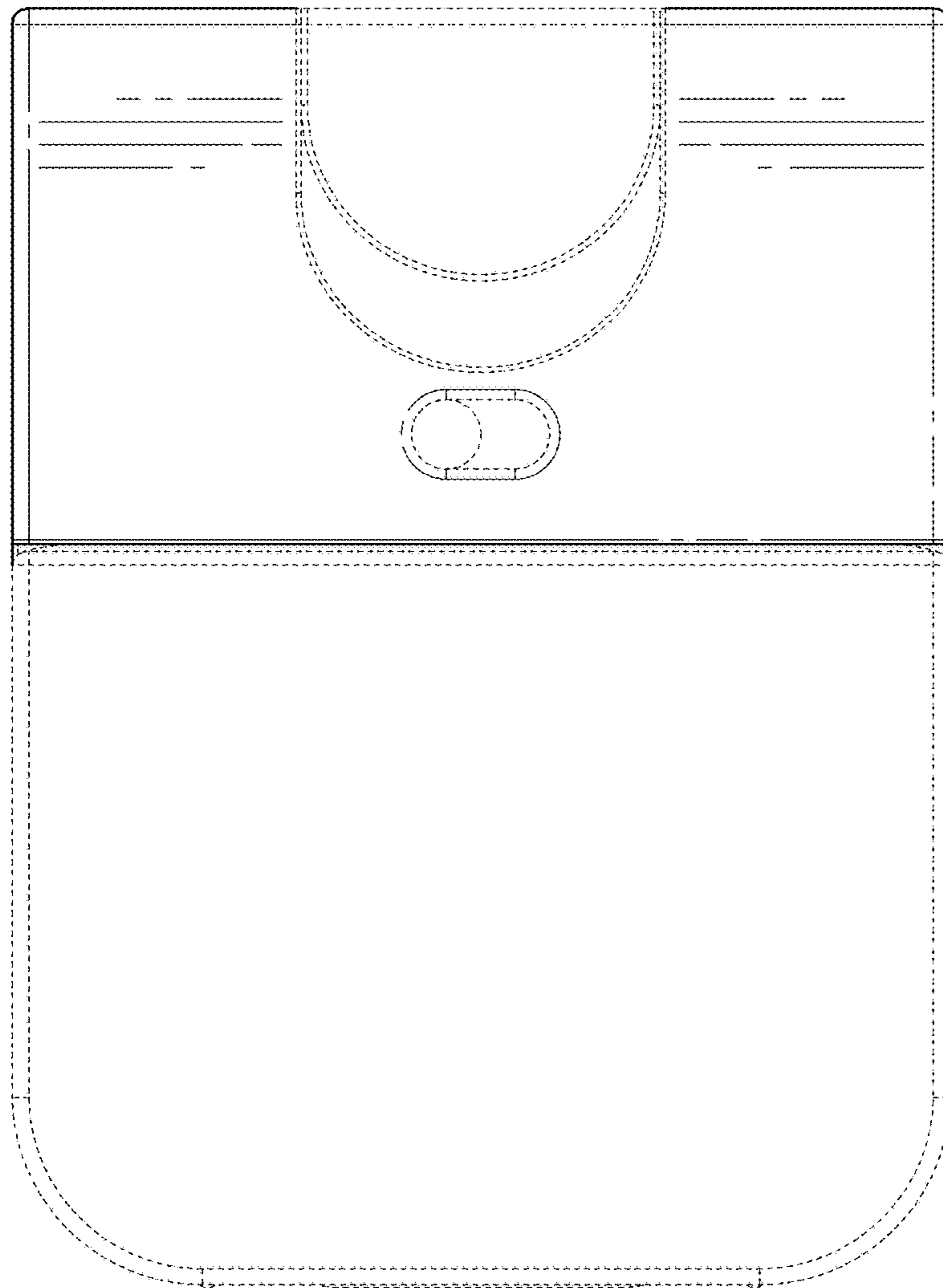


FIG. 4

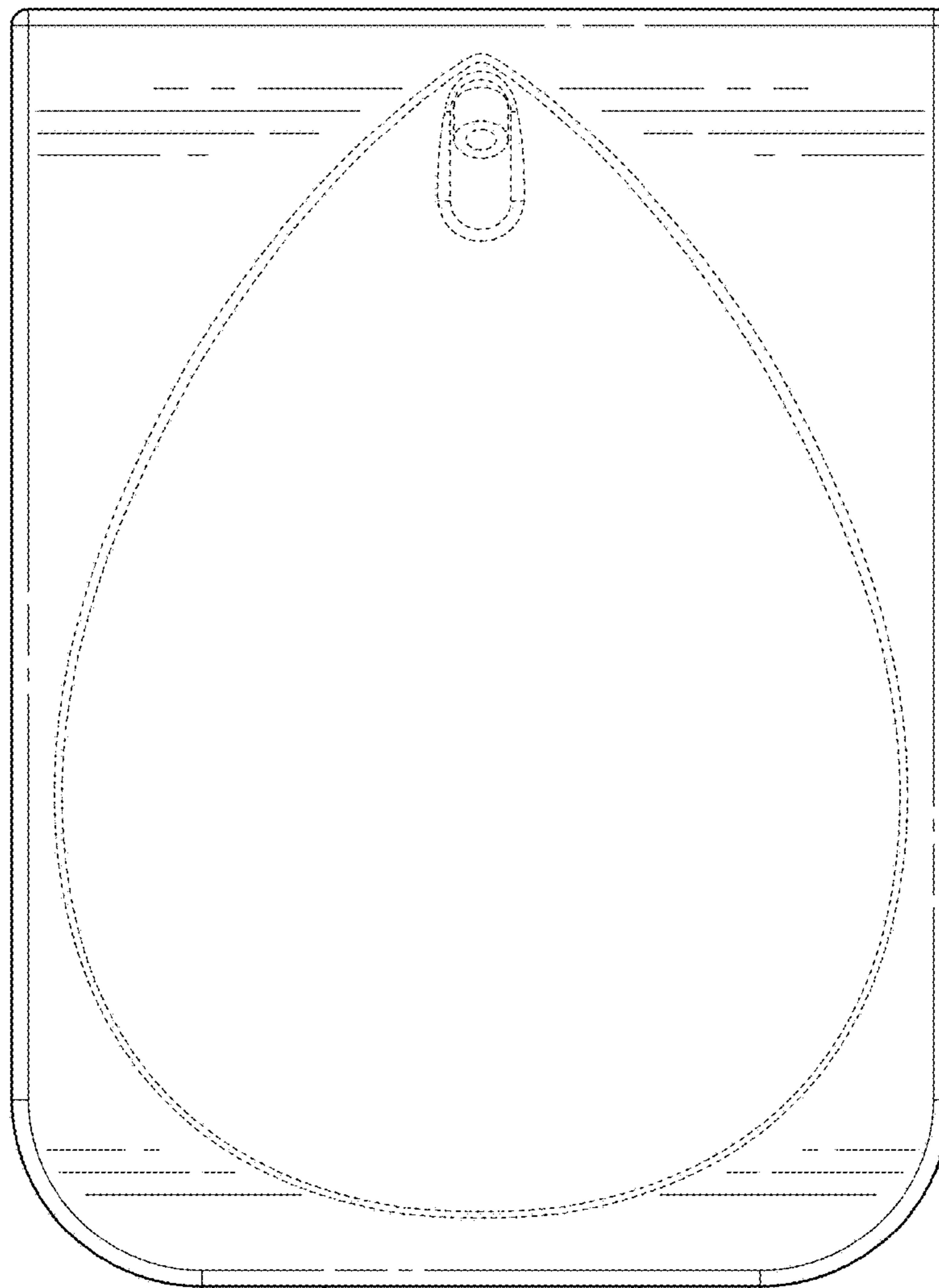


FIG. 5

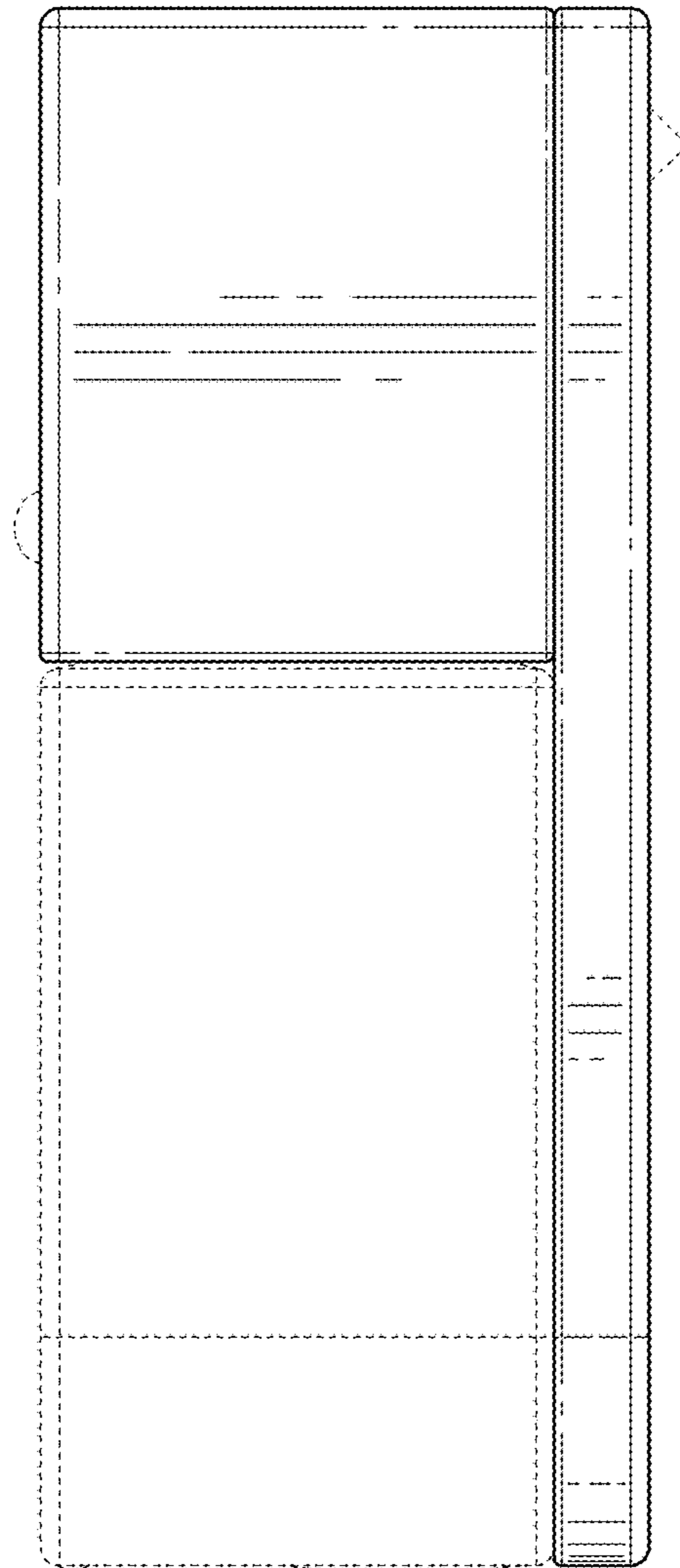


FIG. 6

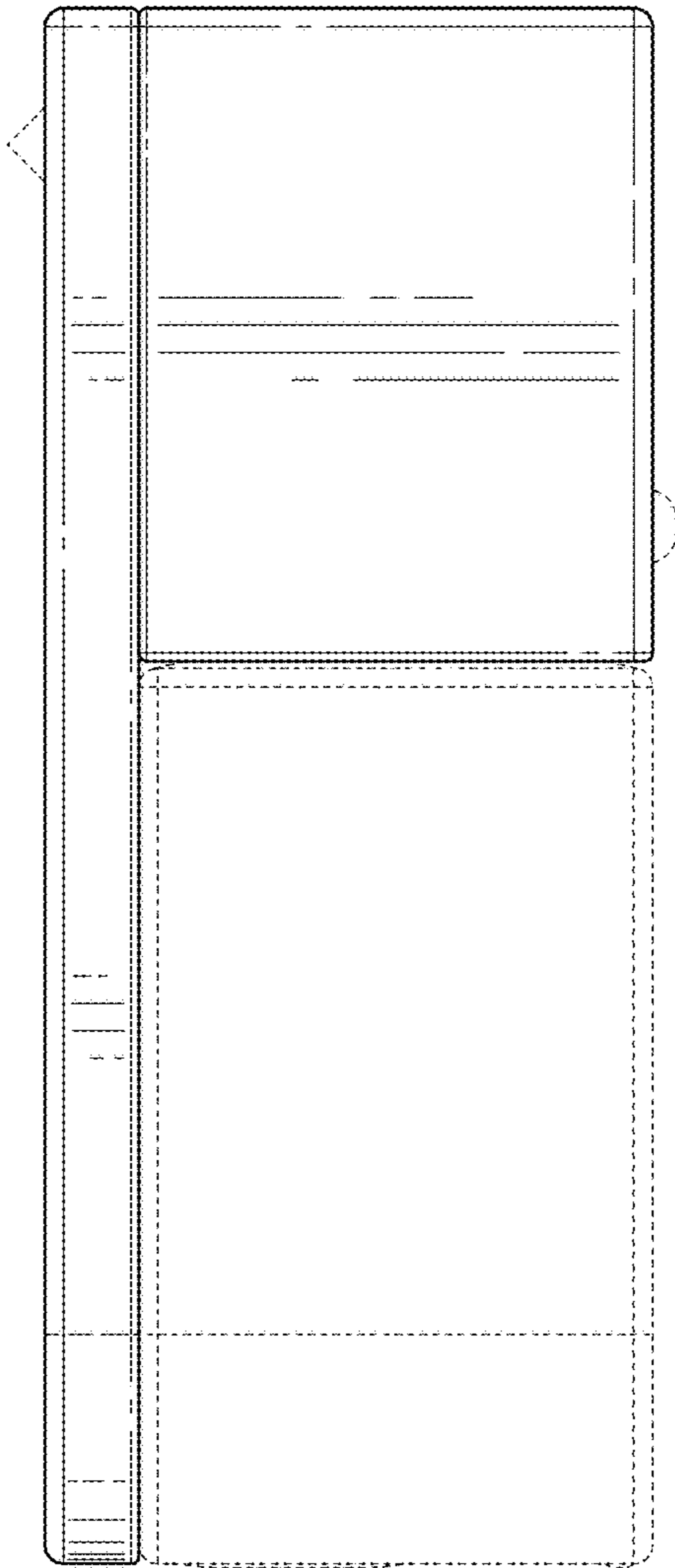


FIG. 7

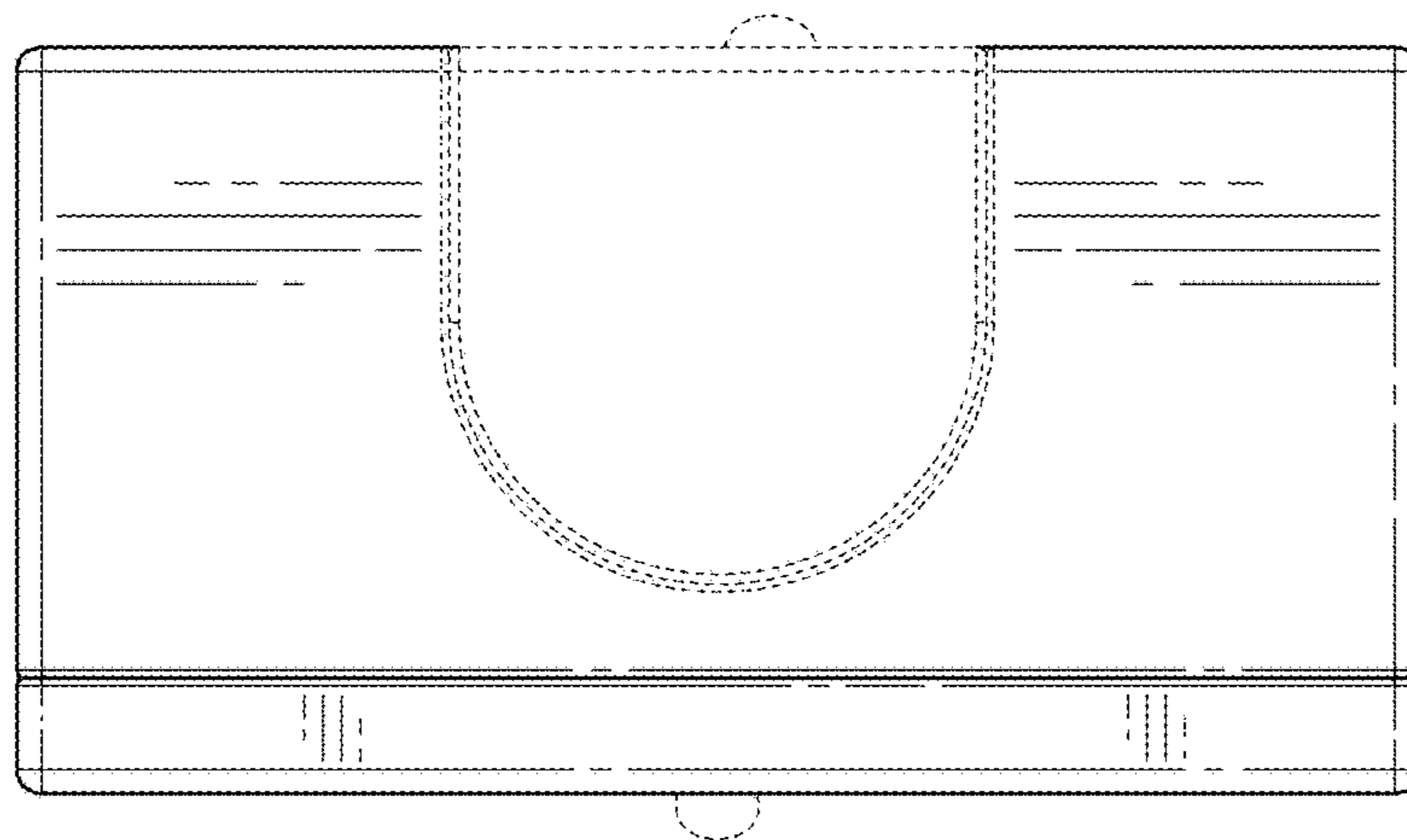


FIG. 8

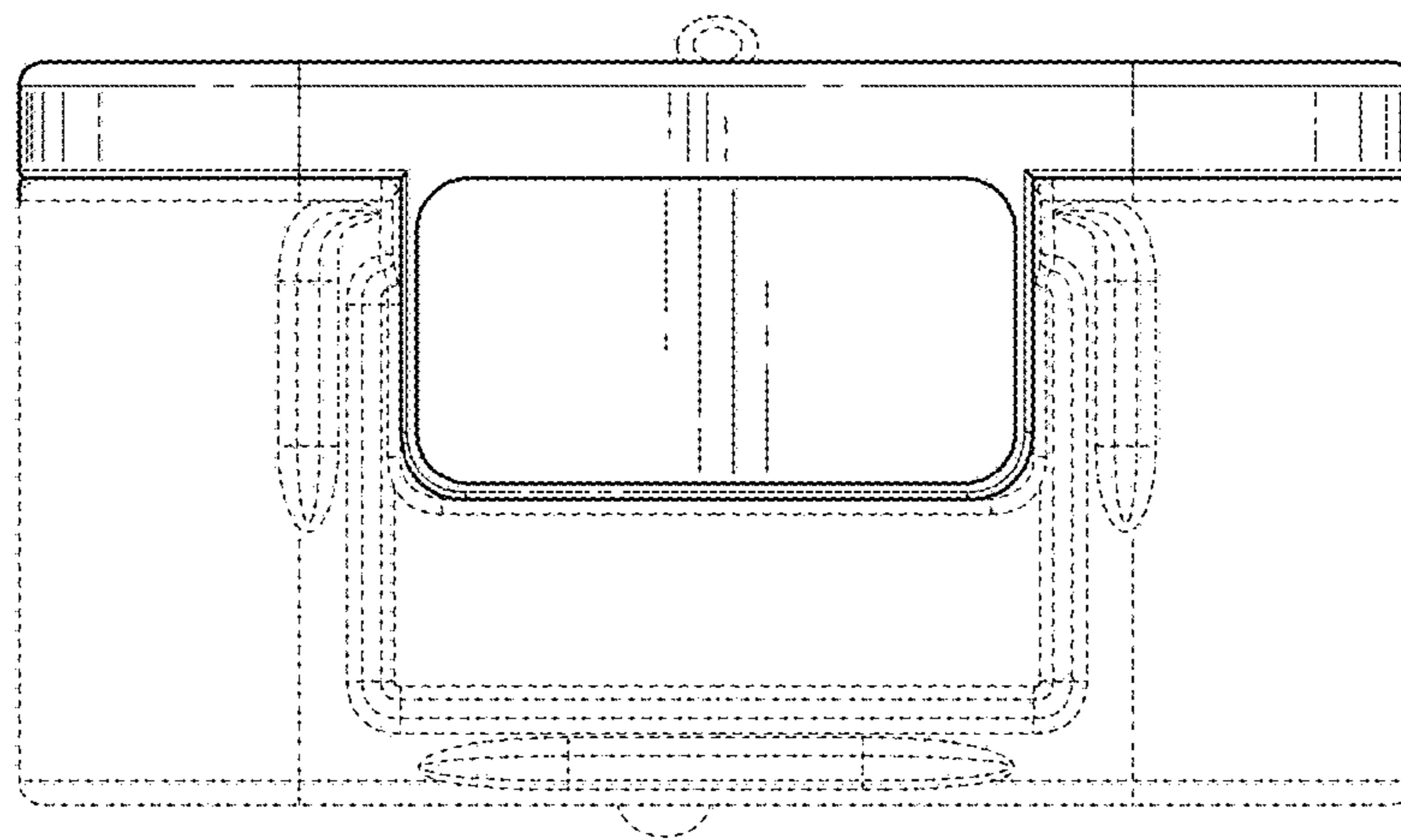


FIG. 9