



US00D852046S

(12) **United States Design Patent**  
**Keller et al.**

(10) **Patent No.:** **US D852,046 S**  
(45) **Date of Patent:** **\*\* Jun. 25, 2019**

- (54) **DUAL-ENDED CONTAINER**
- (71) Applicant: **Pfizer Inc.**, New York, NY (US)
- (72) Inventors: **Matthew Clifton Keller**, Richmond, VA (US); **William H. Valls**, Loveland, OH (US); **Zachariah S. Simmering**, Mansfield, OH (US)
- (73) Assignee: **Pfizer Inc.**, New York, NY (US)
- (\*\*) Term: **15 Years**
- (21) Appl. No.: **29/553,370**
- (22) Filed: **Feb. 1, 2016**
- (51) **LOC (11) Cl.** ..... **09-01**
- (52) **U.S. Cl.**  
USPC ..... **D9/529**; D28/89
- (58) **Field of Classification Search**  
USPC ..... D9/414, 431, 434, 435, 436, 440, D9/443-448, 516, 522, 529, 541-543, D9/549, 551, 552, 554, 555, 560, 575, D9/715, 719, 725, 726, 727; D23/366, D23/367; D28/82, 85, 90, 91.1, 87-89  
CPC ..... A45D 33/18; A45D 19/02; A45D 34/02; B65D 2543/00351; B65D 1/14  
See application file for complete search history.

- 2,414,245 A 1/1947 Rudd
- D158,107 S \* 4/1950 Lidholm ..... D7/612
- 2,573,828 A 11/1951 Braselton
- 2,710,614 A 6/1955 Dulberg
- 2,745,642 A 5/1956 Hermann
- 2,859,085 A 11/1958 Morrison
- (Continued)

**FOREIGN PATENT DOCUMENTS**

- CH 268337 A 5/1950
- CN 2293242 Y 10/1998
- (Continued)

**OTHER PUBLICATIONS**

- Grob Cosmetics, Swiss Design 116444, Jun. 29, 1988.
- (Continued)

*Primary Examiner* — Ian Simmons  
*Assistant Examiner* — Keith Frank  
 (74) *Attorney, Agent, or Firm* — Paula K. Davis; Jeffrey M. Gold

(57) **CLAIM**

The ornamental design for a dual-ended container, as shown.

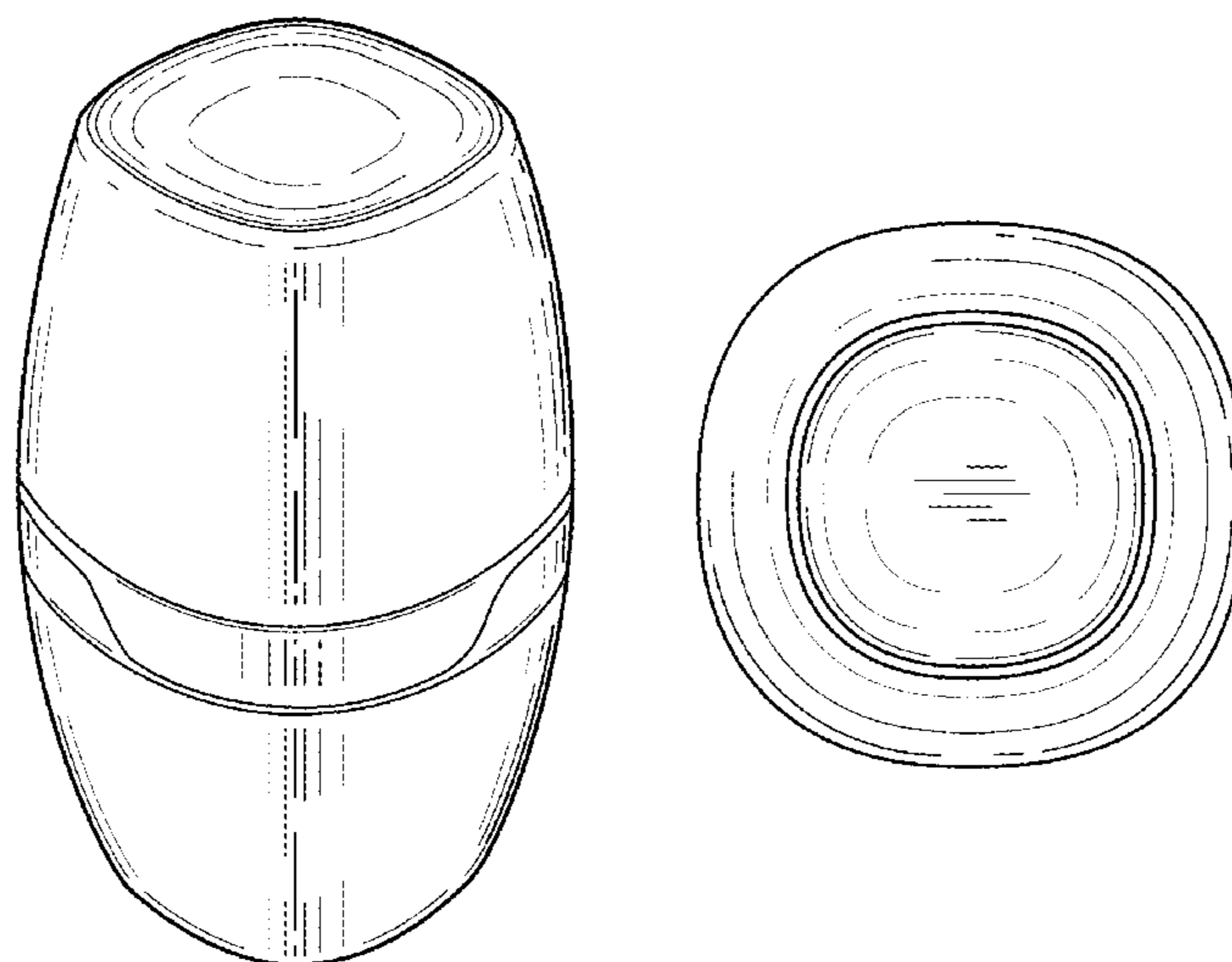
**DESCRIPTION**

FIG. 1 is a perspective view of the dual-ended container showing our new design;  
 FIG. 2 is a front elevational view thereof, the rear being identical;  
 FIG. 3 is a left side elevational view thereof, the right side being identical;  
 FIG. 4 is a top plan view thereof; and,  
 FIG. 5 is a bottom plan view thereof.  
 The broken lines in the drawings showing of the dual-ended container illustrate the portions of the dual-ended container that form no part of the claimed design.

**1 Claim, 4 Drawing Sheets**

(56) **References Cited**  
**U.S. PATENT DOCUMENTS**

- 1,626,311 A 4/1927 Tipton
- 1,626,312 A 4/1927 Tipton
- 1,852,455 A 4/1932 Friedman
- 1,899,748 A 2/1933 Cornell
- 1,953,911 A 4/1934 Foster
- 2,171,112 A 8/1939 Hoffman
- 2,177,651 A 10/1939 Harris
- 2,201,467 A 5/1940 Bloom
- 2,264,482 A 12/1941 Ridner
- 2,314,338 A 3/1943 Graves et al.



(56)

References Cited

U.S. PATENT DOCUMENTS

3,431,918 A 3/1969 Newmann  
 3,741,379 A 6/1973 Kappler et al.  
 3,843,120 A 10/1974 Ricci  
 4,235,557 A 11/1980 Hayes  
 D257,764 S \* 1/1981 Tajima ..... D9/529  
 D281,567 S \* 12/1985 Zimmermann ..... D7/608  
 4,728,210 A 3/1988 Wallace  
 5,025,817 A 6/1991 Wen  
 5,044,496 A 9/1991 Tanaka et al.  
 5,137,185 A 8/1992 Mitchell  
 D348,123 S 6/1994 Wu  
 5,326,185 A 7/1994 Dornbusch et al.  
 5,496,122 A 3/1996 Fattori  
 5,503,825 A 4/1996 Lane  
 5,542,557 A 8/1996 Koyama et al.  
 D377,849 S 2/1997 Fabrisi  
 5,609,430 A 3/1997 Mazzola et al.  
 5,738,123 A 4/1998 Szekely  
 5,799,667 A 9/1998 Szekely  
 5,800,086 A 9/1998 Piscopo et al.  
 5,813,784 A 9/1998 Durliat  
 D406,397 S 3/1999 Nahum-Albright  
 5,884,637 A 3/1999 Joulia  
 D410,570 S 6/1999 Lerolle  
 5,954,442 A 9/1999 Monin-Bareil  
 5,984,553 A 11/1999 Piscopo et al.  
 D420,466 S 2/2000 Coates et al.  
 D420,767 S 2/2000 Coates et al.  
 D422,748 S 4/2000 Lang  
 6,050,438 A 4/2000 Kovens et al.  
 6,193,427 B1 2/2001 Benguigui  
 6,391,972 B1 5/2002 Hatakeyama  
 D465,614 S 11/2002 Petit  
 6,568,529 B2 5/2003 McMurrey  
 D483,273 S \* 12/2003 Lloyd ..... D9/549  
 D484,646 S 12/2003 Ditrichstein  
 D485,017 S \* 1/2004 Noh ..... D28/76  
 6,682,242 B1 1/2004 Montoli  
 6,688,795 B1 2/2004 Jacob et al.  
 6,702,494 B2 3/2004 Dumler et al.  
 6,773,187 B2 8/2004 Gueret  
 D503,829 S \* 4/2005 Tanii ..... D28/76  
 7,025,520 B2 4/2006 Petit  
 D534,076 S 12/2006 Green et al.  
 D538,478 S 3/2007 Chen  
 D554,529 S 11/2007 Green et al.  
 D562,699 S 2/2008 Green et al.  
 D564,900 S 3/2008 Green et al.  
 7,367,736 B2 5/2008 Chan  
 D583,506 S 12/2008 Justice  
 D604,605 S \* 11/2009 Chung ..... D9/432  
 7,631,781 B2 12/2009 Chen  
 D612,245 S 3/2010 Canamasas Puigbo  
 7,695,727 B2 4/2010 Magee et al.  
 7,699,062 B2 4/2010 Sasaki  
 7,802,937 B1 9/2010 Szekely  
 D625,469 S 10/2010 Dubitsky et al.  
 D631,204 S 1/2011 Dubitsky et al.  
 D632,017 S 2/2011 Lee  
 D635,322 S \* 3/2011 Knighton ..... D34/39  
 D644,939 S 9/2011 Teller et al.  
 D645,350 S \* 9/2011 Degeyter ..... D9/454  
 8,043,017 B2 10/2011 Beierwaltes et al.  
 D651,903 S 1/2012 Teller  
 D661,431 S 6/2012 Bagley  
 8,226,311 B2 7/2012 Cronin  
 D681,278 S 4/2013 Schlatter  
 D682,678 S \* 5/2013 Kim ..... D9/431  
 8,434,955 B2 5/2013 Rauschert et al.  
 8,444,337 B2 5/2013 Teller et al.  
 D688,569 S 8/2013 Weeston  
 8,651,308 B1 2/2014 Sung  
 8,668,398 B2 3/2014 Rosengard  
 D703,059 S \* 4/2014 Chopdat ..... D9/529  
 D708,789 S 7/2014 Schlatter

D708,790 S 7/2014 Schlatter  
 D708,791 S 7/2014 Schlatter  
 D709,652 S 7/2014 Teller  
 D710,544 S 8/2014 Shen  
 8,834,050 B2 9/2014 Anderson  
 D715,653 S \* 10/2014 Lavigne ..... D9/529  
 8,888,391 B2 11/2014 Teller et al.  
 D726,012 S \* 4/2015 Simard ..... D9/521  
 D726,028 S 4/2015 Thompson  
 D732,240 S 6/2015 Brown  
 D733,967 S 7/2015 Schlatter  
 D734,550 S 7/2015 Schlatter  
 D734,894 S 7/2015 Schlatter  
 D735,413 S 7/2015 Smith et al.  
 D735,414 S 7/2015 Schlatter  
 D744,167 S \* 11/2015 Chertoff ..... D28/85  
 9,185,963 B2 11/2015 Weeston  
 D767,535 S \* 9/2016 Koo ..... D14/214  
 D793,223 S \* 8/2017 Minoli ..... D9/415  
 D793,860 S \* 8/2017 Keller ..... D9/431  
 D803,615 S \* 11/2017 Zhang ..... D7/354  
 D804,236 S \* 12/2017 Zhang ..... D7/354  
 2003/0041870 A1 3/2003 Hu  
 2003/0201201 A1 10/2003 Cheng  
 2006/0254945 A1 11/2006 Green et al.  
 2009/0090377 A1 4/2009 Tran  
 2011/0024316 A1 2/2011 Ginsburg  
 2013/0089367 A1 4/2013 Anderson

FOREIGN PATENT DOCUMENTS

CN 201294954 Y 8/2009  
 CN 203041110 U 7/2013  
 CN 204378253 U 6/2015  
 CN 204467304 U 7/2015  
 CN 102805473 B 8/2015  
 DE 8433747 U1 2/1985  
 DE 29918252 U1 3/2001  
 DE 202006002682 U1 5/2006  
 DE 202012104020 U1 12/2012  
 EP 1068817 A2 1/2001  
 EP 1832198 A1 9/2007  
 FR 538021 A 6/1922  
 FR 1090126 A 3/1955  
 FR 2563711 A1 11/1985  
 FR 2597733 A1 10/1987  
 FR 2726444 B1 1/1997  
 FR 2726443 B1 4/1997  
 FR 2766339 B1 9/1999  
 FR 2882235 B1 4/2007  
 FR 3016116 A1 7/2015  
 GB 429845 A 6/1935  
 GB 2086849 A1 5/1982  
 GB 2162822 B2 4/1988  
 GB 2512412 A1 10/2014  
 JP 48-095868 U1 11/1973  
 JP 48-095869 U1 11/1973  
 JP 48-098379 U1 11/1973  
 JP 58-017820 U1 2/1983  
 JP 60-044713 U1 3/1985  
 JP 60-083514 U1 6/1985  
 JP 60-083515 U1 6/1985  
 JP 60-173231 U1 11/1985  
 JP 61-030410 U1 2/1986  
 JP 1050713 U 3/1989  
 JP 70-36929 U1 7/1995  
 JP 3519140 B2 4/2004  
 WO WO-9106232 A1 5/1991

OTHER PUBLICATIONS

Grob Cosmetics, Swiss Design 117848, Jan. 15, 1990.  
 Grob Cosmetics, UK Design 2007213, Jan. 11, 1991.  
 "PCT Notification of Transmittal of the International Search Report and the Written Opinion of the International Searching Authority, or the Declaration", dated Nov. 14, 2018, relating to PCT International Patent Application No. PCT/IB2016/055748 having international filing date Sep. 26, 2016.

(56)

**References Cited**

OTHER PUBLICATIONS

Utility U.S. Appl. No. 15/275,979, titled "Dual-Ended Lip-Balm Container", filed Sep. 26, 2016.

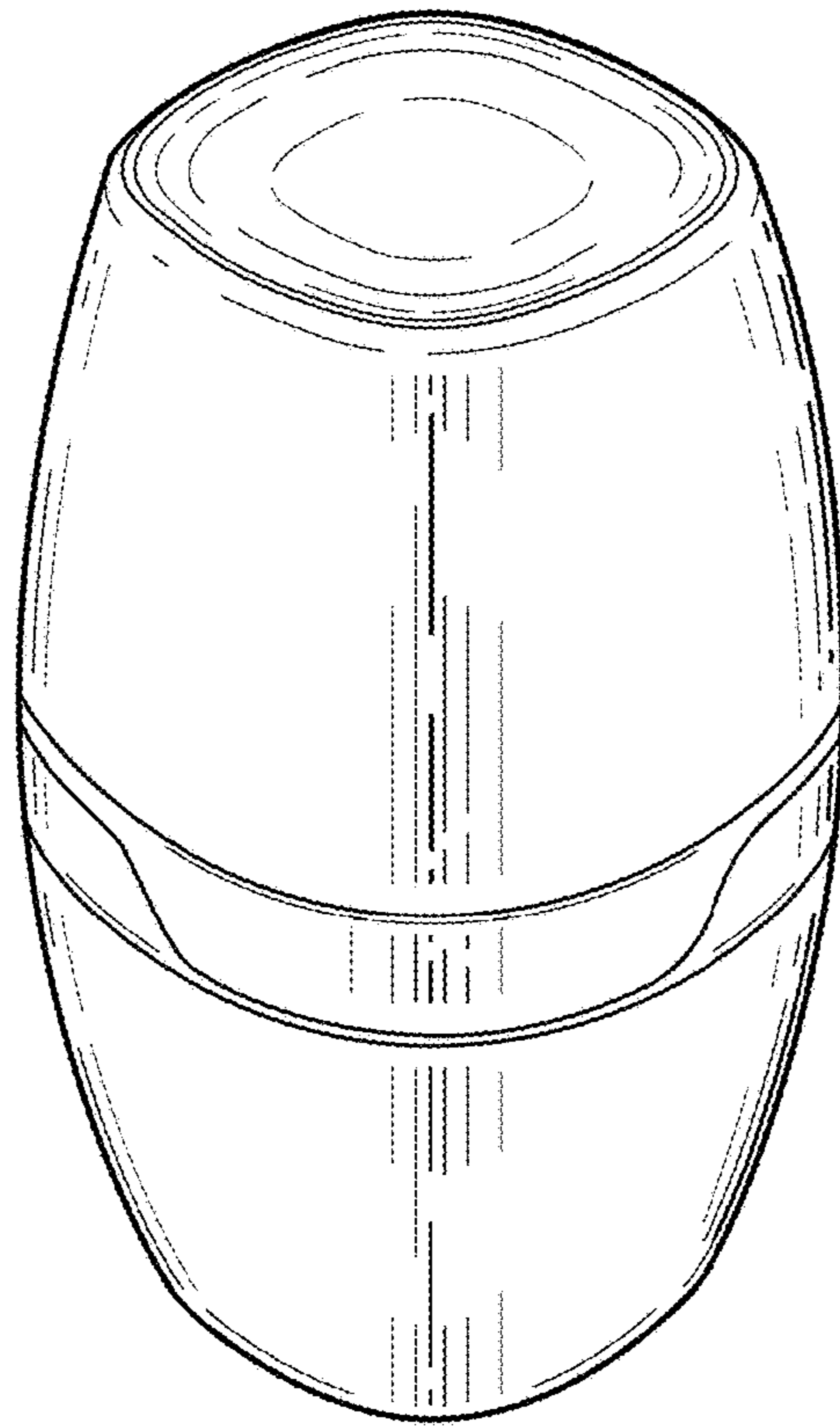
Design U.S. Appl. No. 29/553,385, titled "Container", filed Feb. 1, 2016.

Utility U.S. Appl. No. 15/275,783, titled "Dual-Ended Lip-Balm Container". filed Sep. 26, 2016.

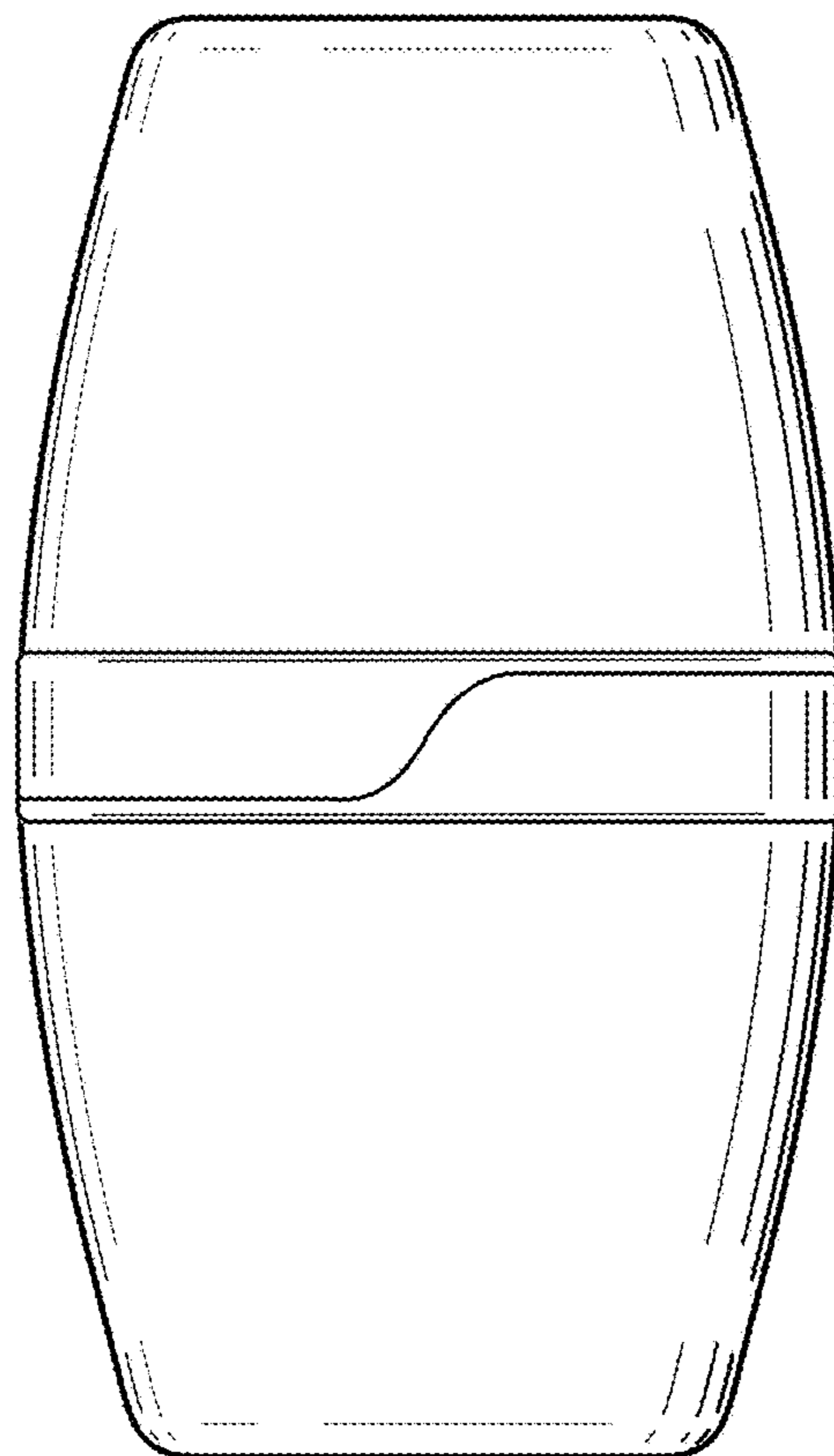
\* cited by examiner



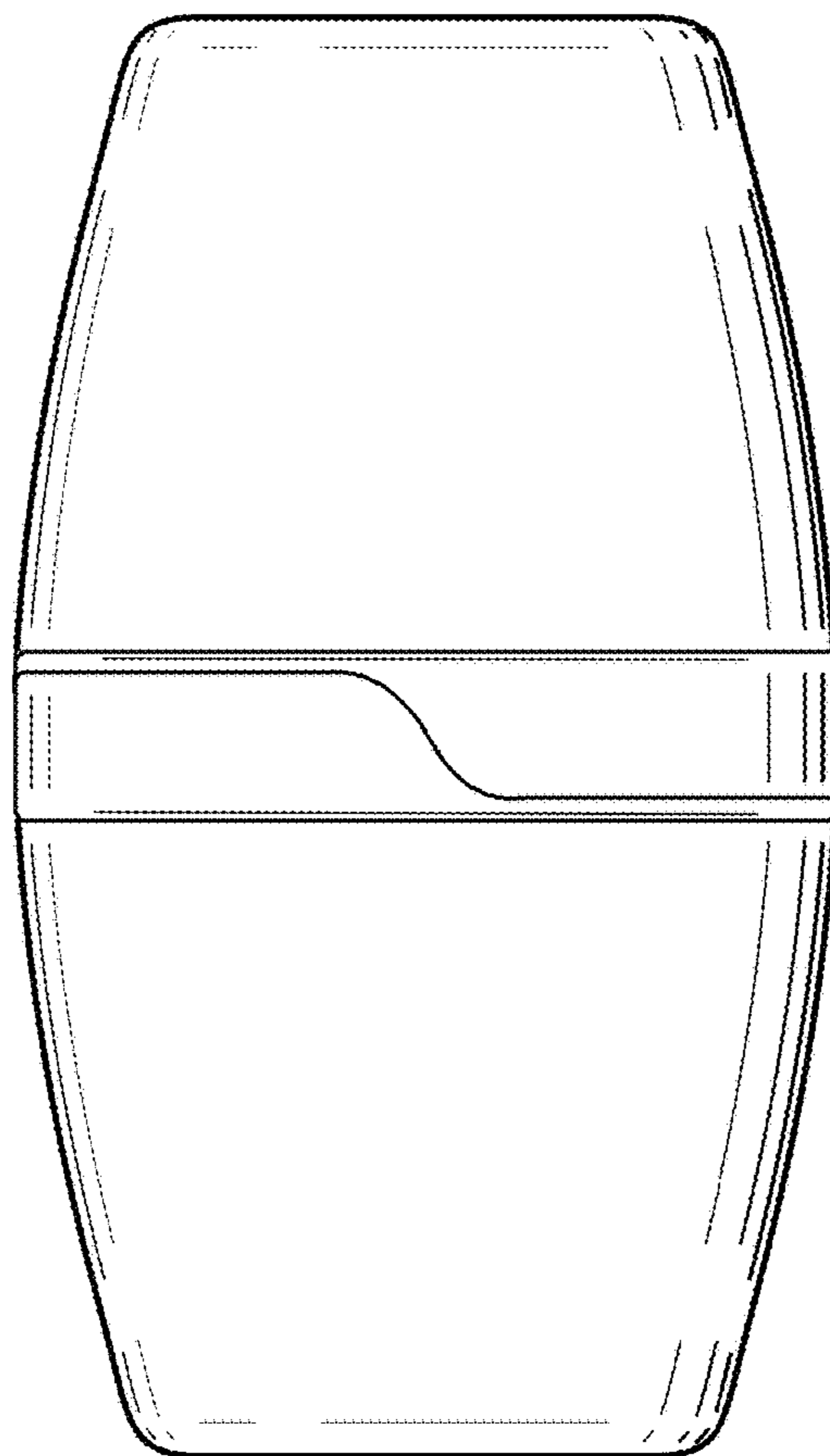
**FIG. 1**



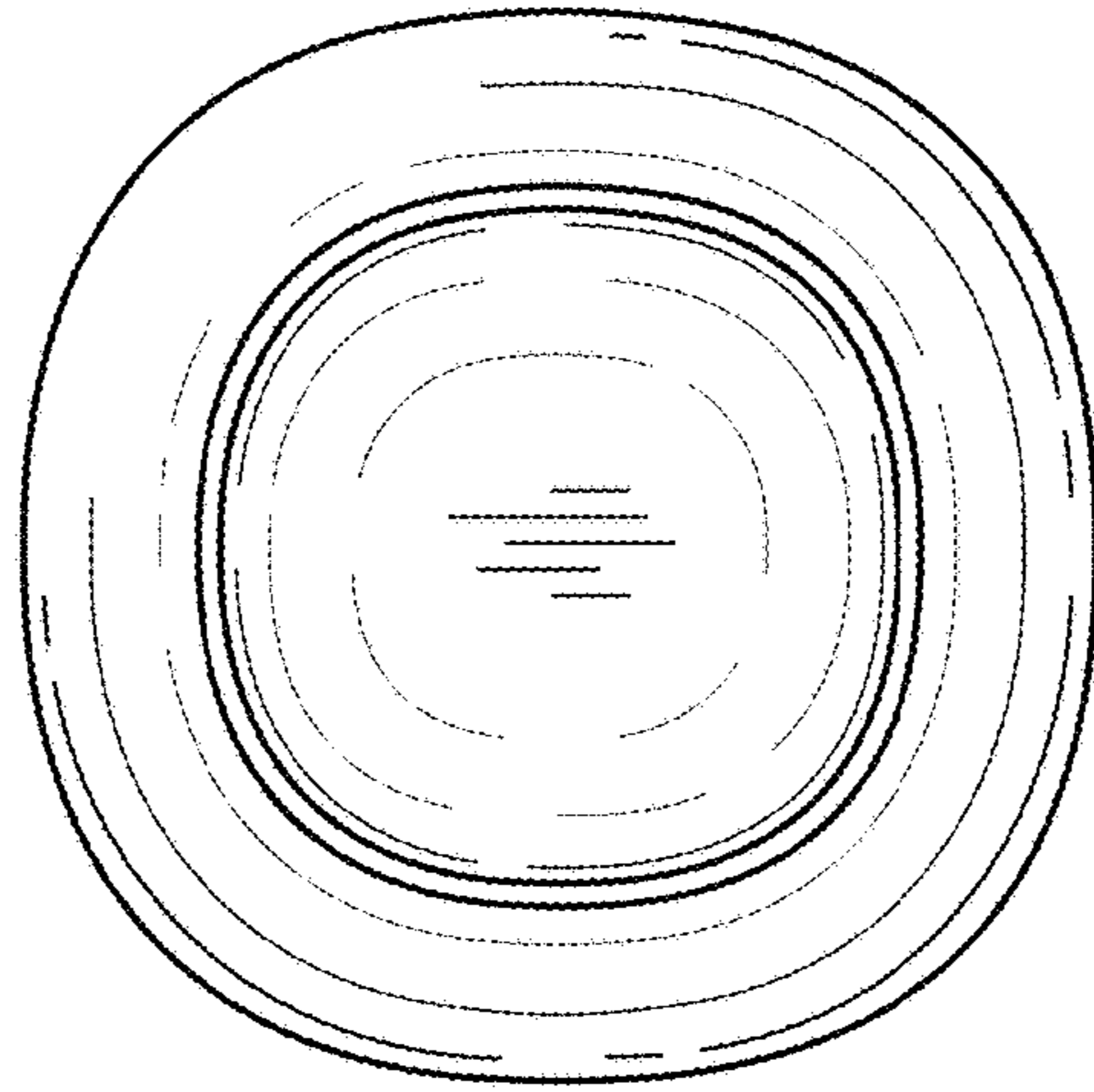
**FIG. 2**



**FIG. 3**



**FIG. 4**



**FIG. 5**

