



US00D852045S

(12) **United States Design Patent**  
**Robson**

(10) **Patent No.:** **US D852,045 S**

(45) **Date of Patent:** **\*\* Jun. 25, 2019**

(54) **CONTAINER**

(71) Applicant: **MAGNETO IP HOLDINGS (PTY) LTD, Meyersdal (ZA)**

(72) Inventor: **Michael Donald Robson, Johannesburg (ZA)**

(73) Assignee: **MAGNETO IP HOLDINGS (PTY) LTD, Meyersdal (ZA)**

(\*\*) Term: **15 Years**

(21) Appl. No.: **29/550,676**

(22) Filed: **Jan. 6, 2016**

(51) **LOC (11) Cl.** ..... **09-01**

(52) **U.S. Cl.**  
USPC ..... **D9/523**

(58) **Field of Classification Search**  
USPC ..... D3/201; D9/452, 454, 520, 523, 542, D9/564; D18/56  
CPC ..... A45C 5/04; A45C 11/00; A45C 11/16  
See application file for complete search history.

(56) **References Cited**

**U.S. PATENT DOCUMENTS**

D212,212 S \* 9/1968 Tompkins ..... D9/526  
D254,955 S \* 5/1980 Hartung ..... D9/542  
5,201,431 A \* 4/1993 Berger ..... B65D 23/12  
215/383  
D349,046 S \* 7/1994 Brown ..... D21/500

D380,553 S \* 7/1997 Riekkinen ..... D24/224  
D407,826 S \* 4/1999 Yamazaki ..... D24/224  
D642,062 S \* 7/2011 Adams ..... D9/526  
D646,974 S \* 10/2011 Latour ..... D9/452  
D653,549 S \* 2/2012 Holtz ..... D9/454  
D704,259 S \* 5/2014 Lecheheb ..... D18/56  
D771,498 S \* 11/2016 Robson ..... D9/564  
D779,331 S \* 2/2017 Robson ..... D18/56  
D788,195 S \* 5/2017 Liu ..... D15/122  
D796,576 S \* 9/2017 Smith ..... D18/56  
D798,156 S \* 9/2017 Robson ..... D18/56  
D798,382 S \* 9/2017 Smith ..... D18/56  
D804,313 S \* 12/2017 Reches ..... D9/522

\* cited by examiner

*Primary Examiner* — Holly E Thurman

(74) *Attorney, Agent, or Firm* — Tutunjian & Bitetto, P.C.

(57) **CLAIM**

The ornamental design for a container, as shown and described.

**DESCRIPTION**

FIG. 1 is a top perspective view of the container showing my new design;

FIG. 2 is a bottom perspective view thereof;

FIG. 3 is a top view thereof;

FIG. 4 is a right side view thereof;

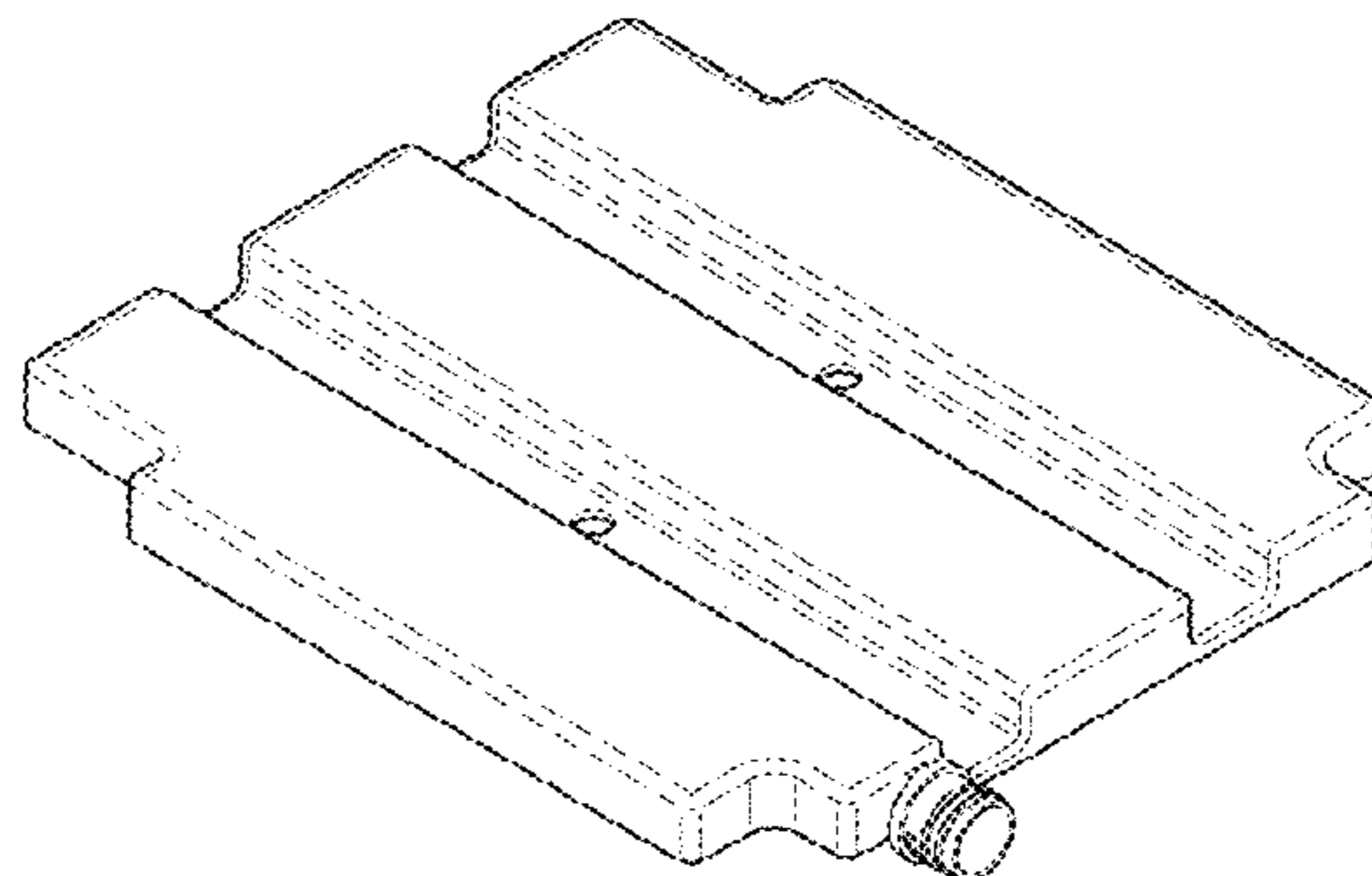
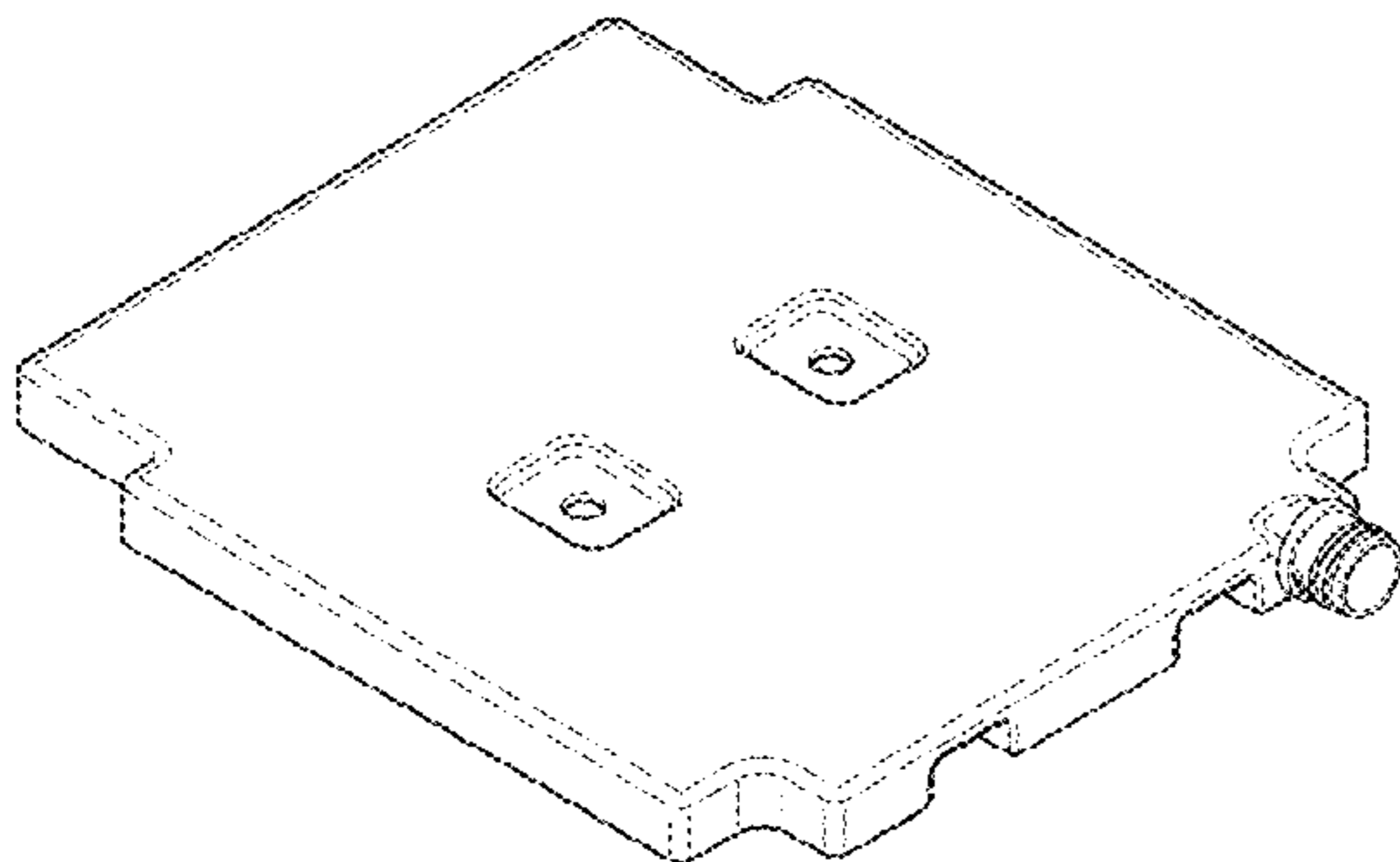
FIG. 5 is a front view thereof;

FIG. 6 is a bottom view thereof;

FIG. 7 is a left side view thereof; and,

FIG. 8 is a rear view thereof.

**1 Claim, 3 Drawing Sheets**



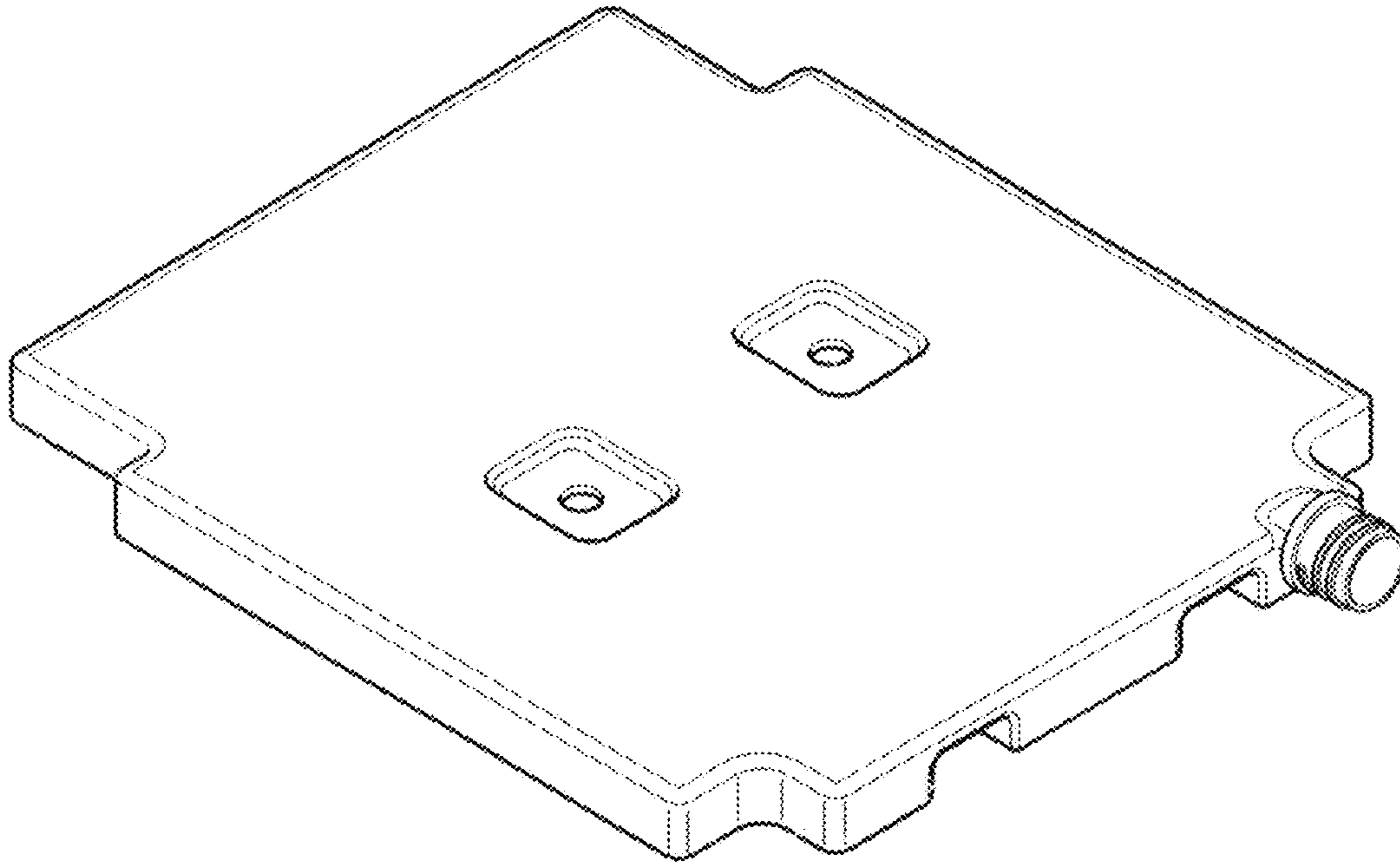


FIGURE 1

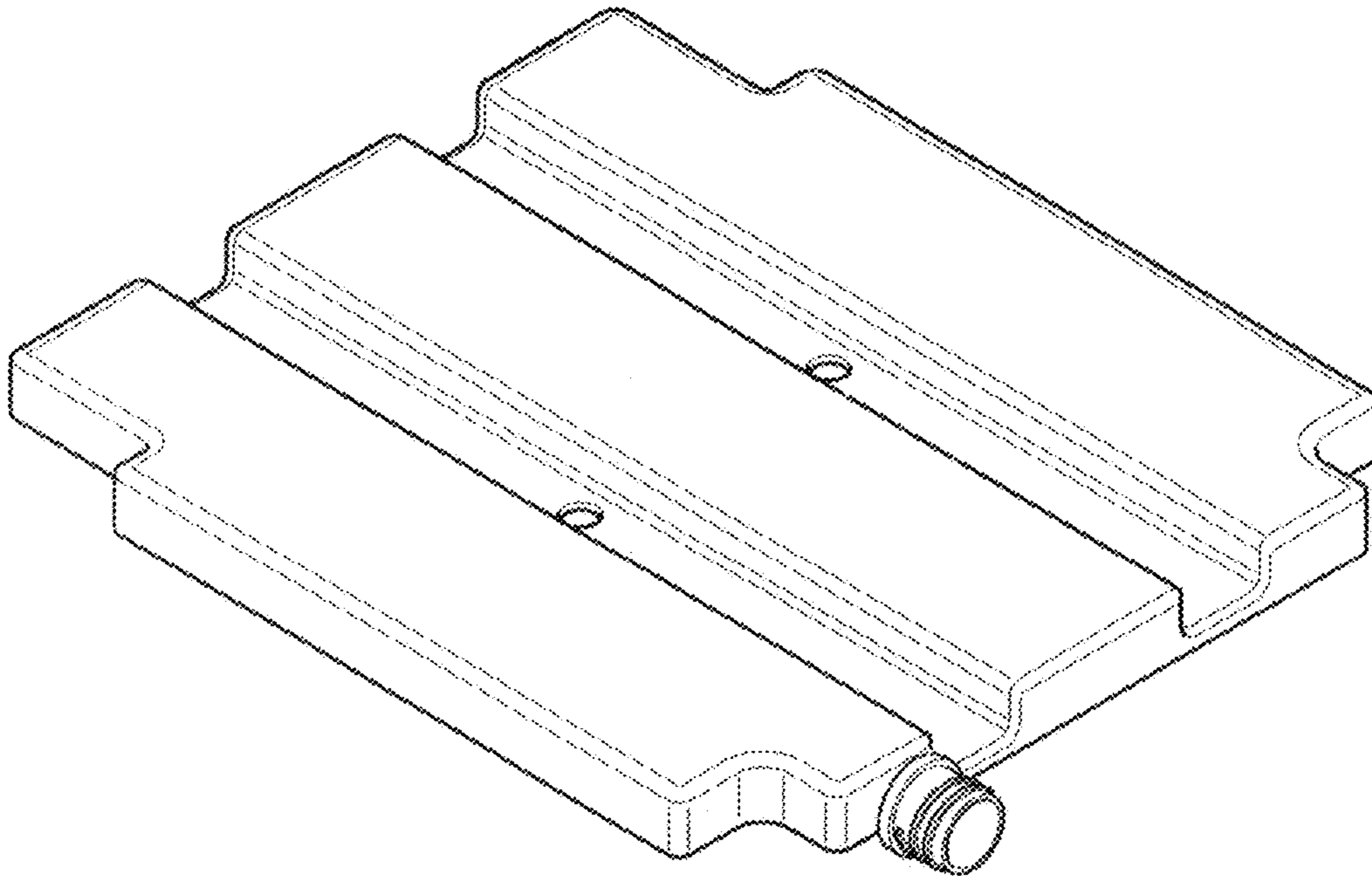


FIGURE 2

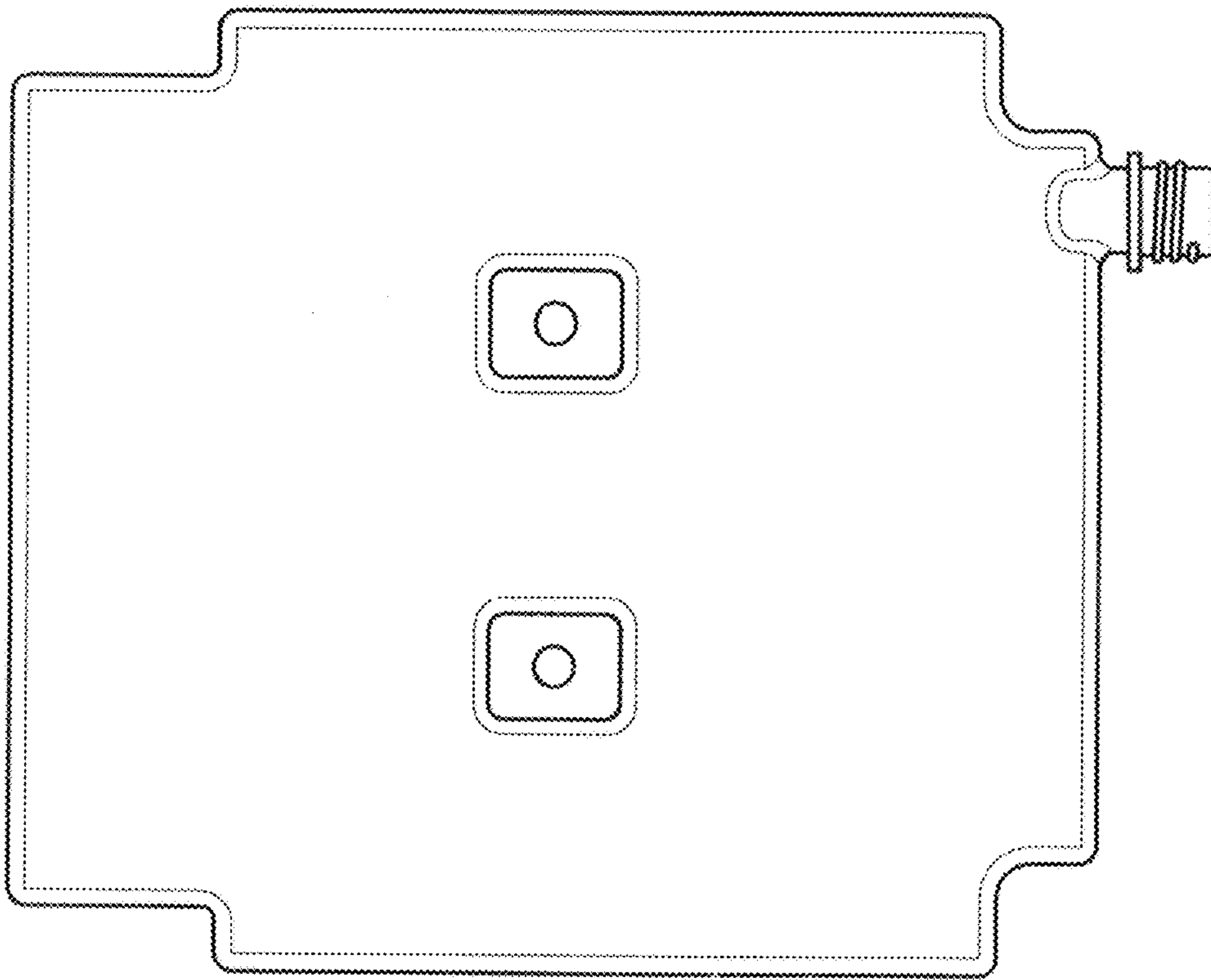


FIGURE 3

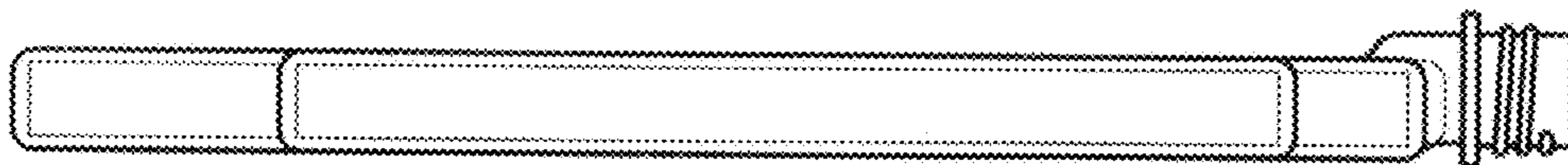


FIGURE 4

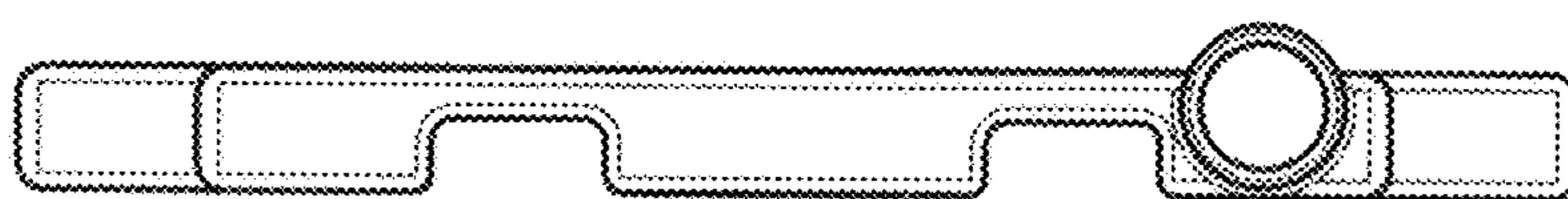


FIGURE 5

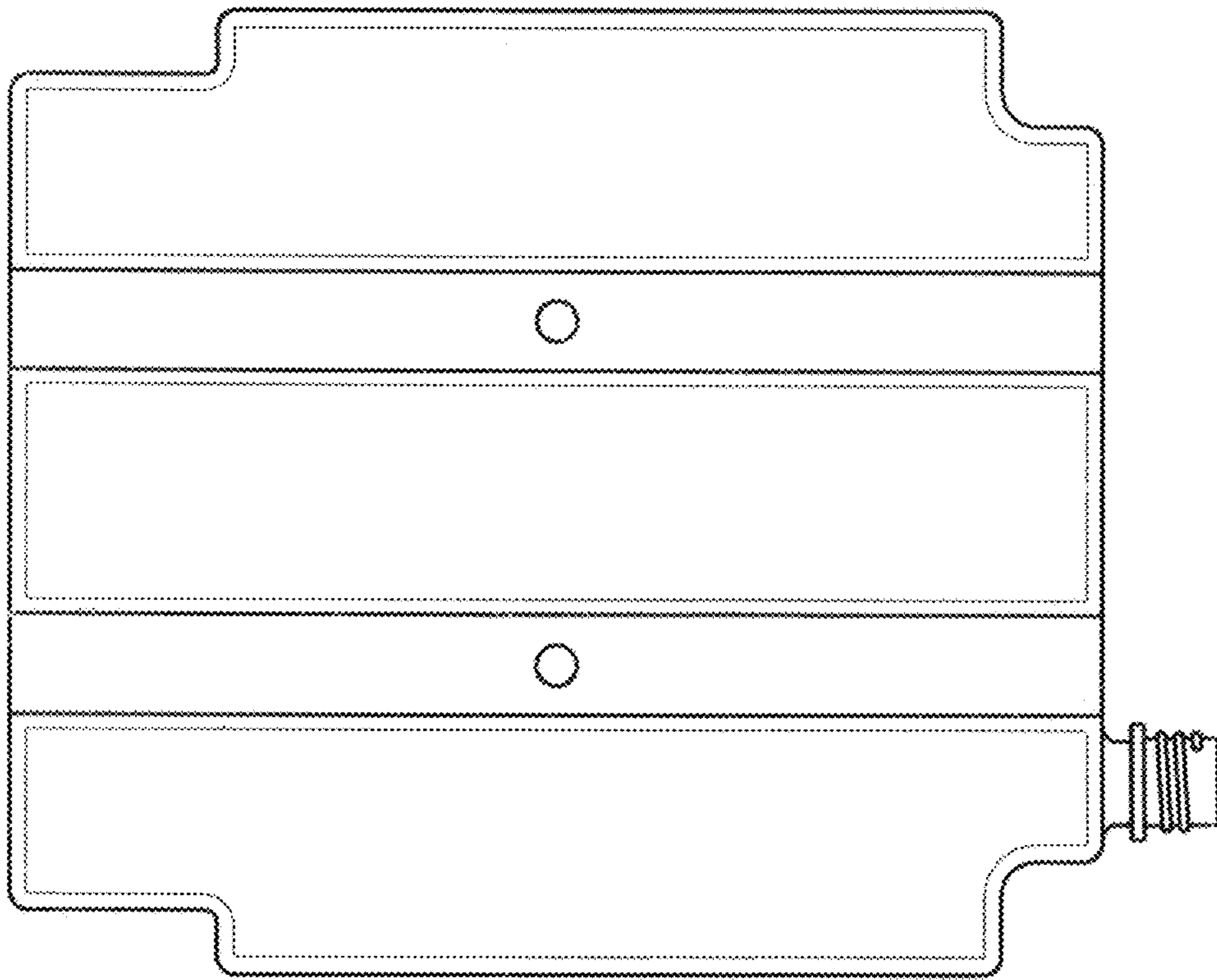


FIGURE 6

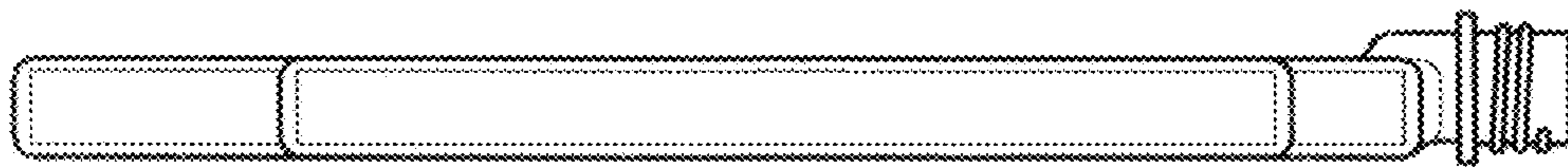


FIGURE 7

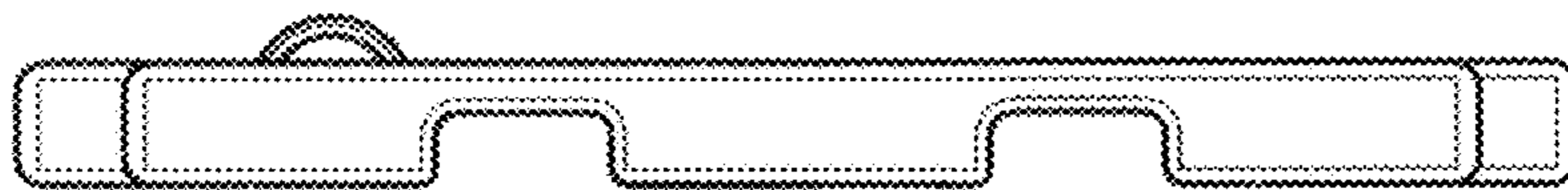


FIGURE 8