



US00D852044S

(12) **United States Design Patent**
Robson

(10) **Patent No.:** **US D852,044 S**
(45) **Date of Patent:** **** Jun. 25, 2019**

(54) **CONTAINER**

(71) Applicant: **MAGNETO IP HOLDINGS (PTY) LTD**, Meyersdal (ZA)

(72) Inventor: **Michael Donald Robson**, Johannesburg (ZA)

(73) Assignee: **MAGNETO IP HOLDINGS (PTY) LTD**, Meyersdal (ZA)

(**) Term: **15 Years**

(21) Appl. No.: **29/550,668**

(22) Filed: **Jan. 6, 2016**

(51) **LOC (11) Cl.** **09-01**

(52) **U.S. Cl.**
USPC **D9/523**; D3/201

(58) **Field of Classification Search**
USPC D3/201; D9/452, 454, 520, 523, 542,
D9/564; D18/56
CPC A45C 5/04; A45C 11/00; A45C 11/16
See application file for complete search history.

(56) **References Cited**

U.S. PATENT DOCUMENTS

D118,593 S *	1/1940	Du Pree	D9/638
D188,260 S *	6/1960	Ray	D23/211.1
D228,124 S *	8/1973	Yamakawa	D9/523
D254,955 S *	5/1980	Hartung	D9/542
D316,965 S *	5/1991	Arvidson	D9/520
D472,975 S *	4/2003	Iori	D24/216

D646,974 S *	10/2011	Latour	D9/452
D653,549 S *	2/2012	Holtz	D9/454
D709,127 S *	7/2014	Boyd	D18/56
D762,261 S *	7/2016	Takagiwa	D18/56
D771,498 S *	11/2016	Robson	D9/564
D779,331 S *	2/2017	Robson	D18/56
D798,156 S *	9/2017	Robson	D18/56
D798,382 S *	9/2017	Smith	D18/56
2002/0126187 A1 *	9/2002	Ison	B41J 2/175 347/93

* cited by examiner

Primary Examiner — Holly E Thurman

(74) *Attorney, Agent, or Firm* — Tutunjian & Bitetto, P.C.

(57) **CLAIM**

The ornamental design for a container, as shown and described.

DESCRIPTION

FIG. 1 is a top perspective view of the container showing my new design;

FIG. 2 is a bottom perspective view thereof;

FIG. 3 is a top view thereof;

FIG. 4 is a right side view thereof;

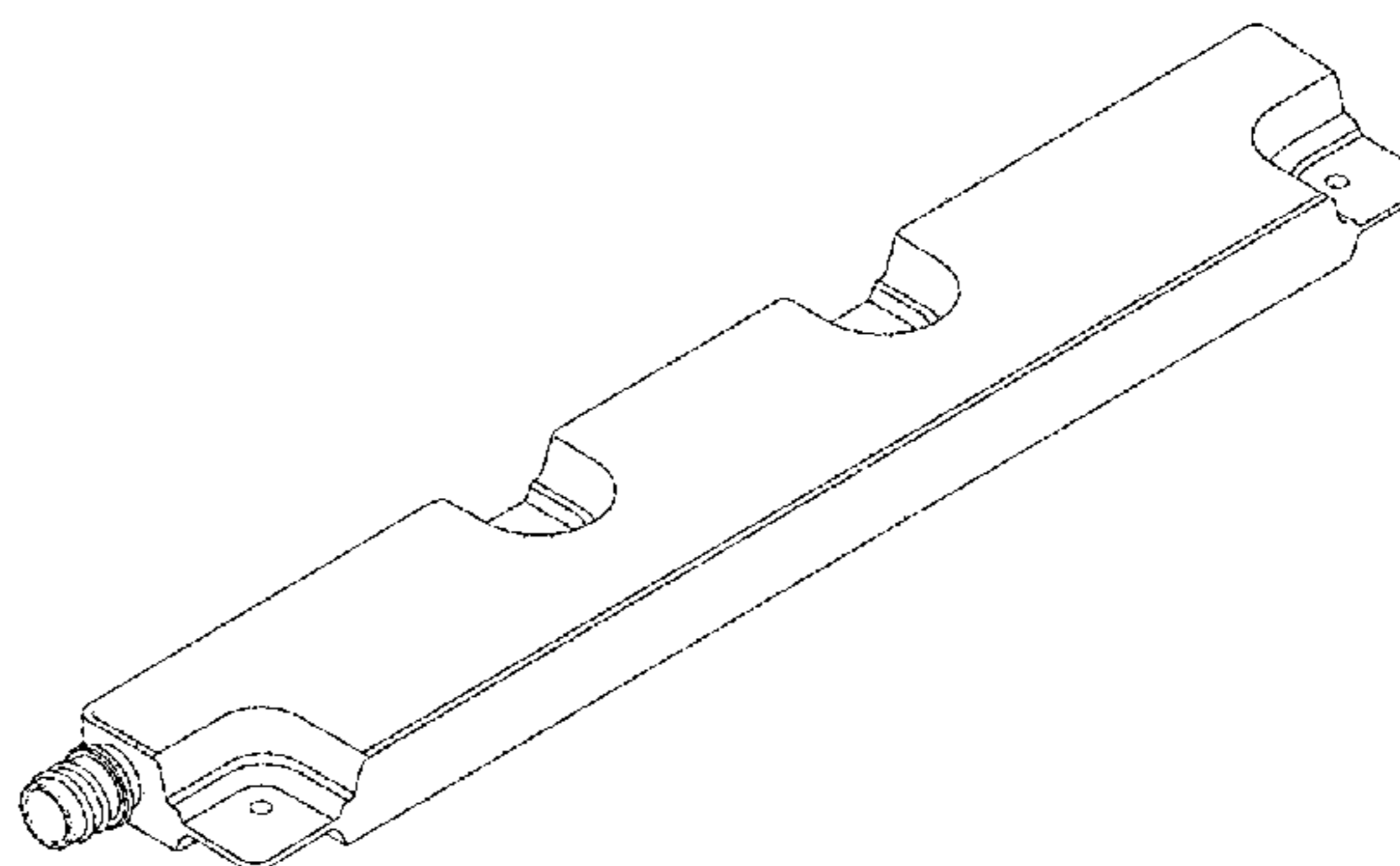
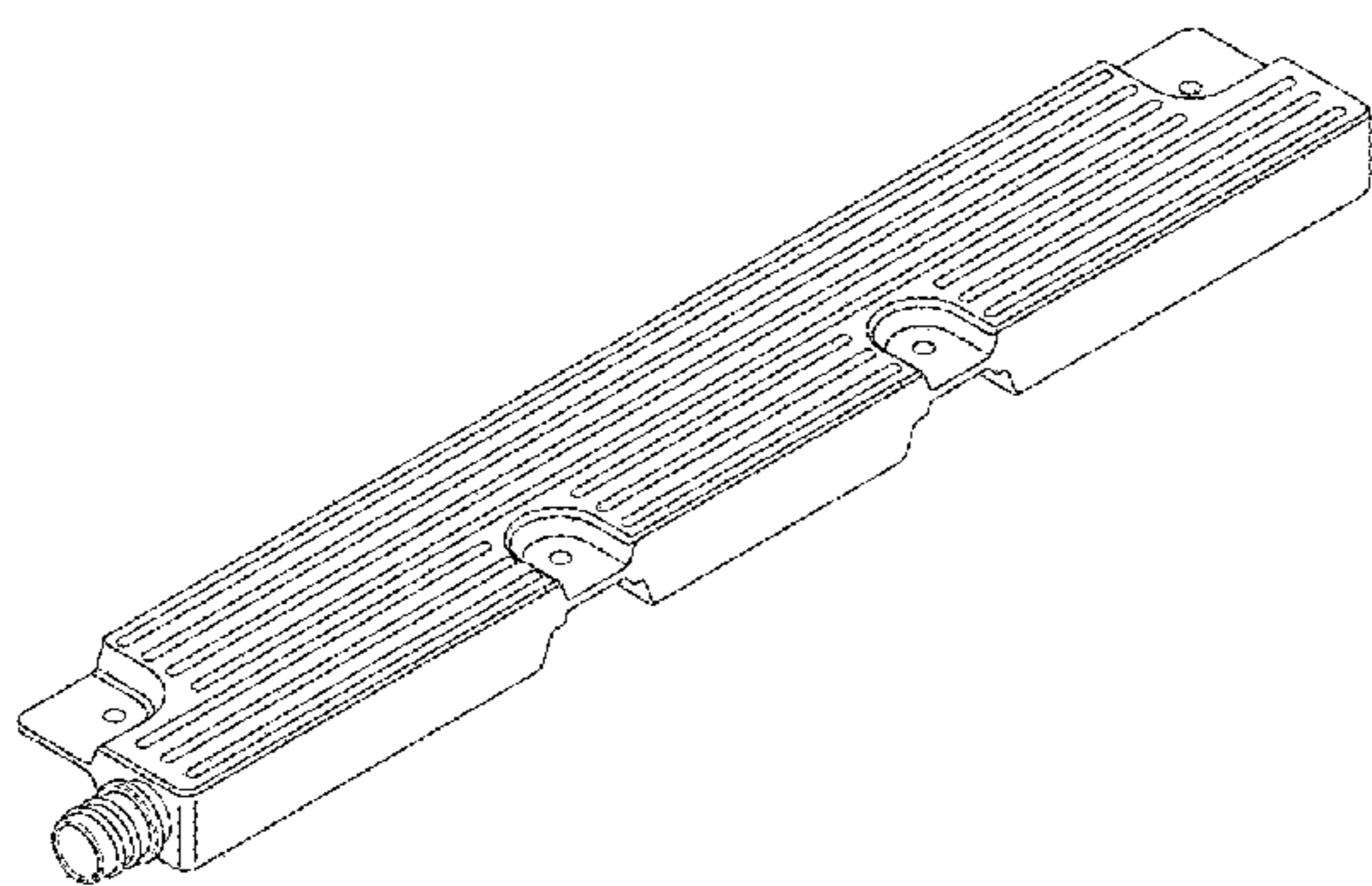
FIG. 5 is a front view thereof;

FIG. 6 is a bottom view thereof;

FIG. 7 is a left side view thereof; and,

FIG. 8 is a rear view thereof.

1 Claim, 8 Drawing Sheets



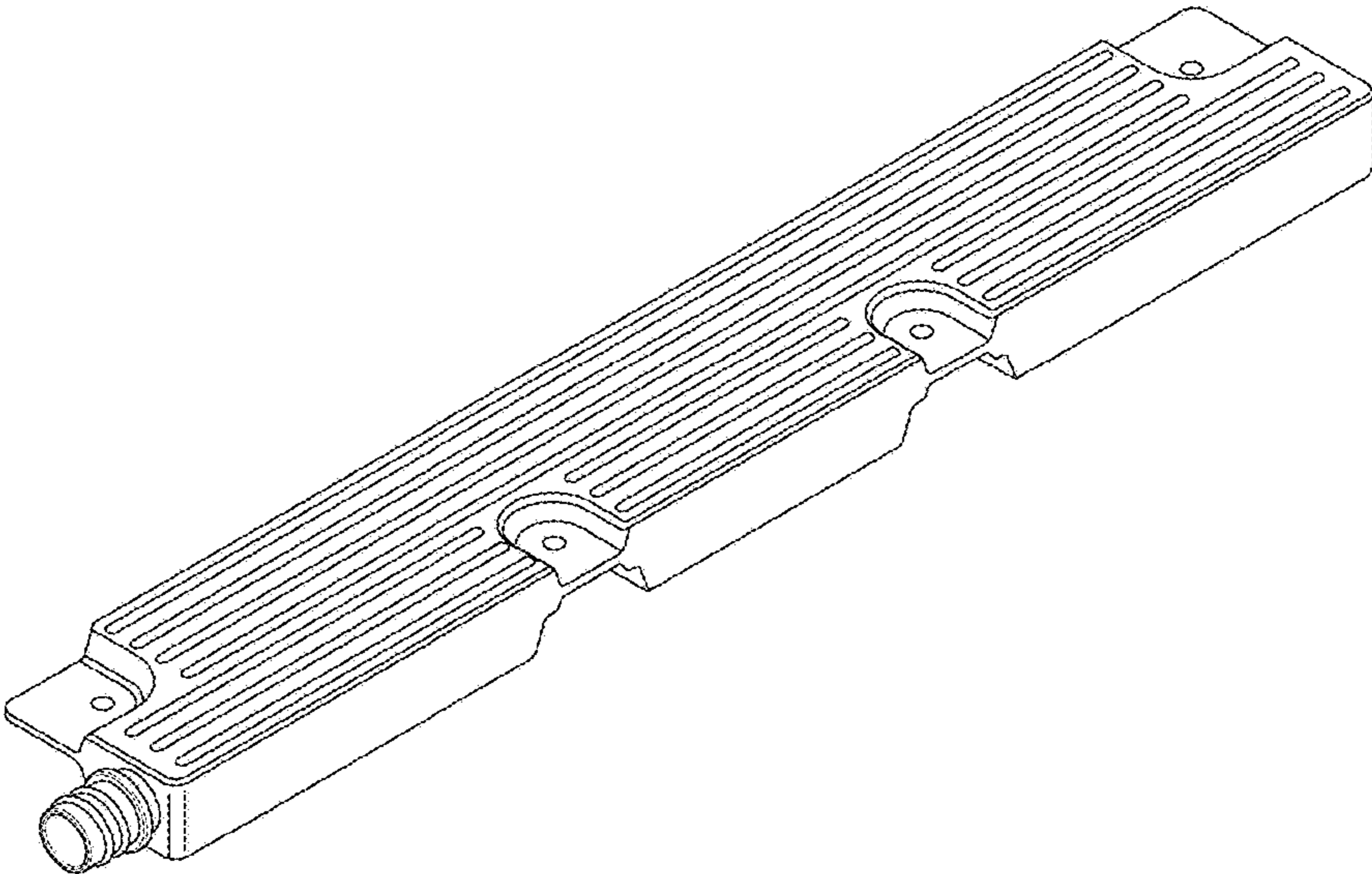


FIGURE 1

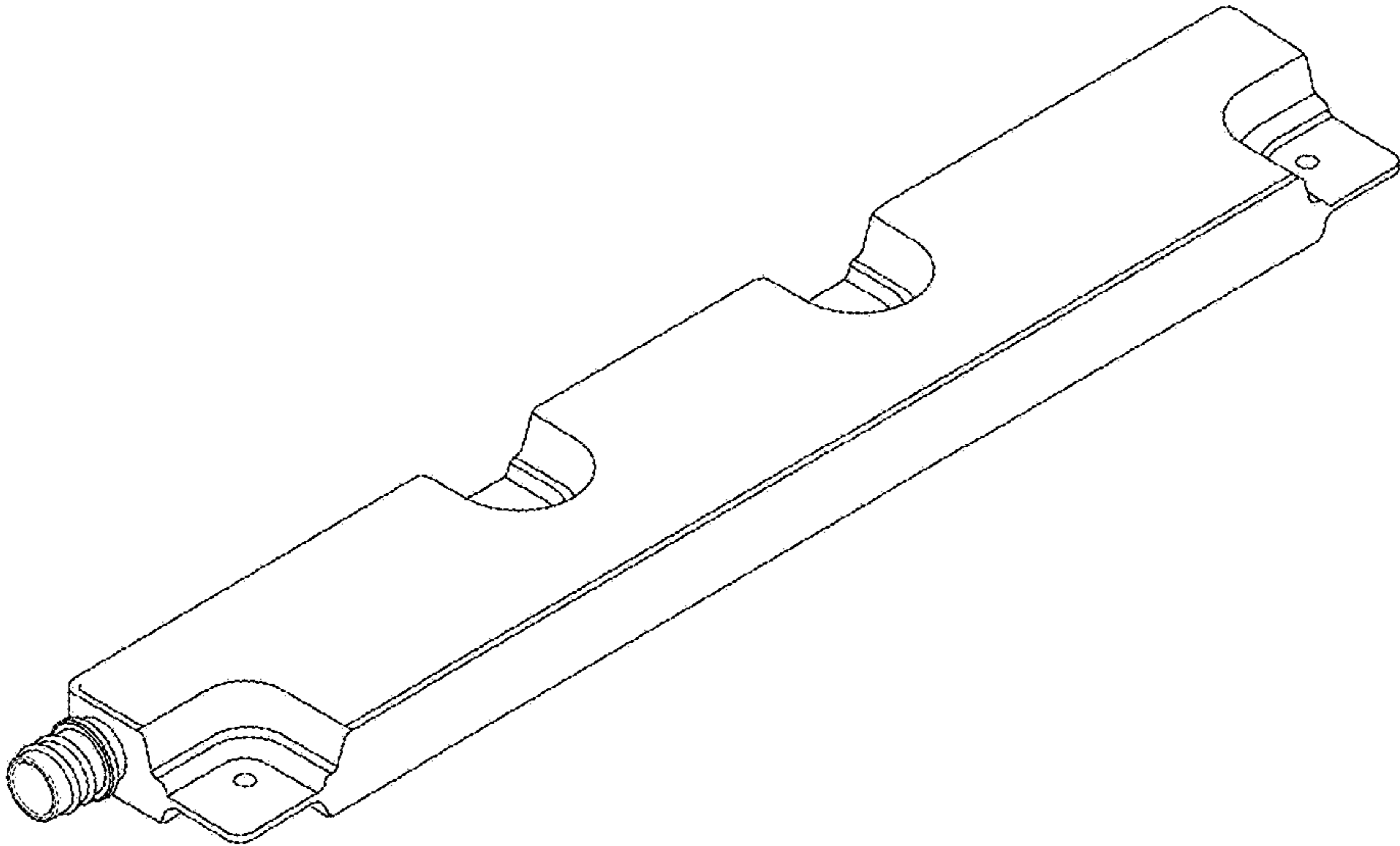


FIGURE 2

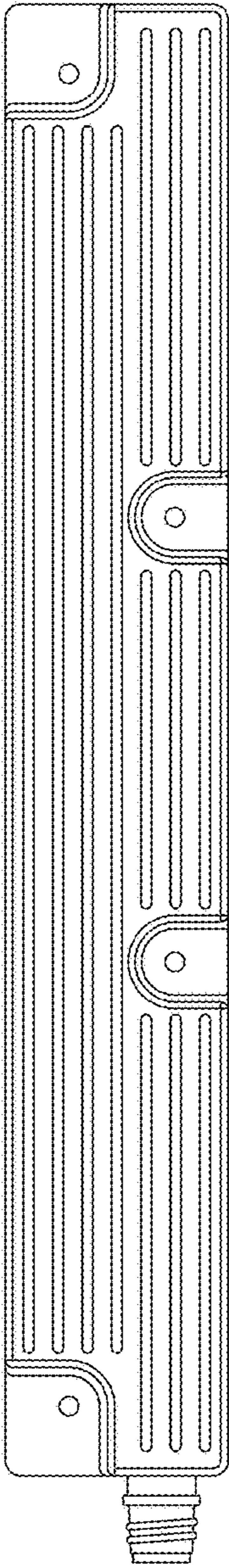


FIGURE 3

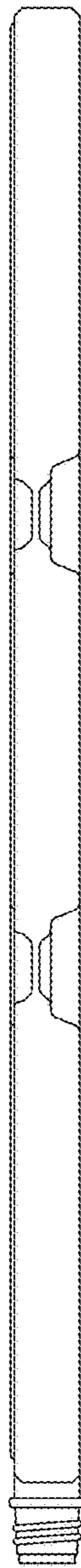


FIGURE 4



FIGURE 5

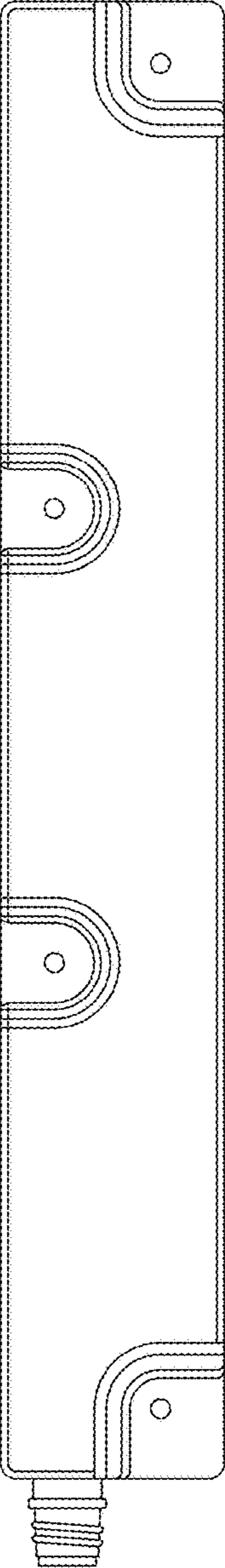


FIGURE 6

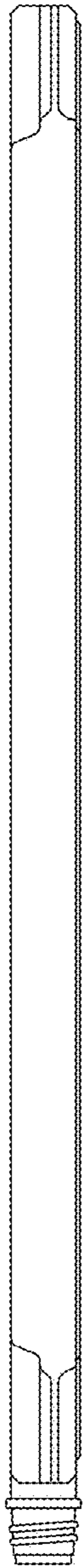


FIGURE 7



FIGURE 8