



US00D852042S

(12) **United States Design Patent**
Dahbura

(10) **Patent No.:** **US D852,042 S**

(45) **Date of Patent:** **** Jun. 25, 2019**

- (54) **NAIL POLISH BOTTLE WITH CAP**
- (71) Applicant: **Julianna Catherine Dahbura**, Naples, FL (US)
- (72) Inventor: **Julianna Catherine Dahbura**, Naples, FL (US)
- (**) Term: **15 Years**
- (21) Appl. No.: **29/637,292**
- (22) Filed: **Feb. 15, 2018**
- (51) **LOC (11) Cl.** **09-01**
- (52) **U.S. Cl.**
USPC **D9/503**; D9/453; D9/454; D4/116
- (58) **Field of Classification Search**
USPC D9/434-435, 447, 453-454, 500, D9/503-504, 516, 549, 558, 715, 719
CPC B65D 1/00; B65D 1/02; B65D 1/0223; B65D 23/00; B65D 51/32; B65D 2501/00; B65D 2501/0009
See application file for complete search history.

3,809,226 A *	5/1974	Ferrari	B65D 75/366
				206/229
4,189,245 A *	2/1980	Bennett	A45D 34/045
				401/126
D258,498 S *	3/1981	Hartmann	D4/116
4,690,579 A *	9/1987	Tuckman	A45D 40/265
				141/24
D296,672 S *	7/1988	Bouthillier	D9/436
D329,605 S *	9/1992	Crawford	D9/529
D386,949 S *	12/1997	McArdle	D7/590
D448,247 S *	9/2001	Hong	D7/591
D483,265 S *	12/2003	Maffei	D9/500
D581,271 S *	11/2008	Laupie	D9/500
D598,286 S *	8/2009	DeMarco	D9/500
D790,087 S *	6/2017	Tyson	D26/22

* cited by examiner

Primary Examiner — Dana Meyrow

(57) **CLAIM**

The ornamental design for a nail polish bottle with cap, as shown and described.

DESCRIPTION

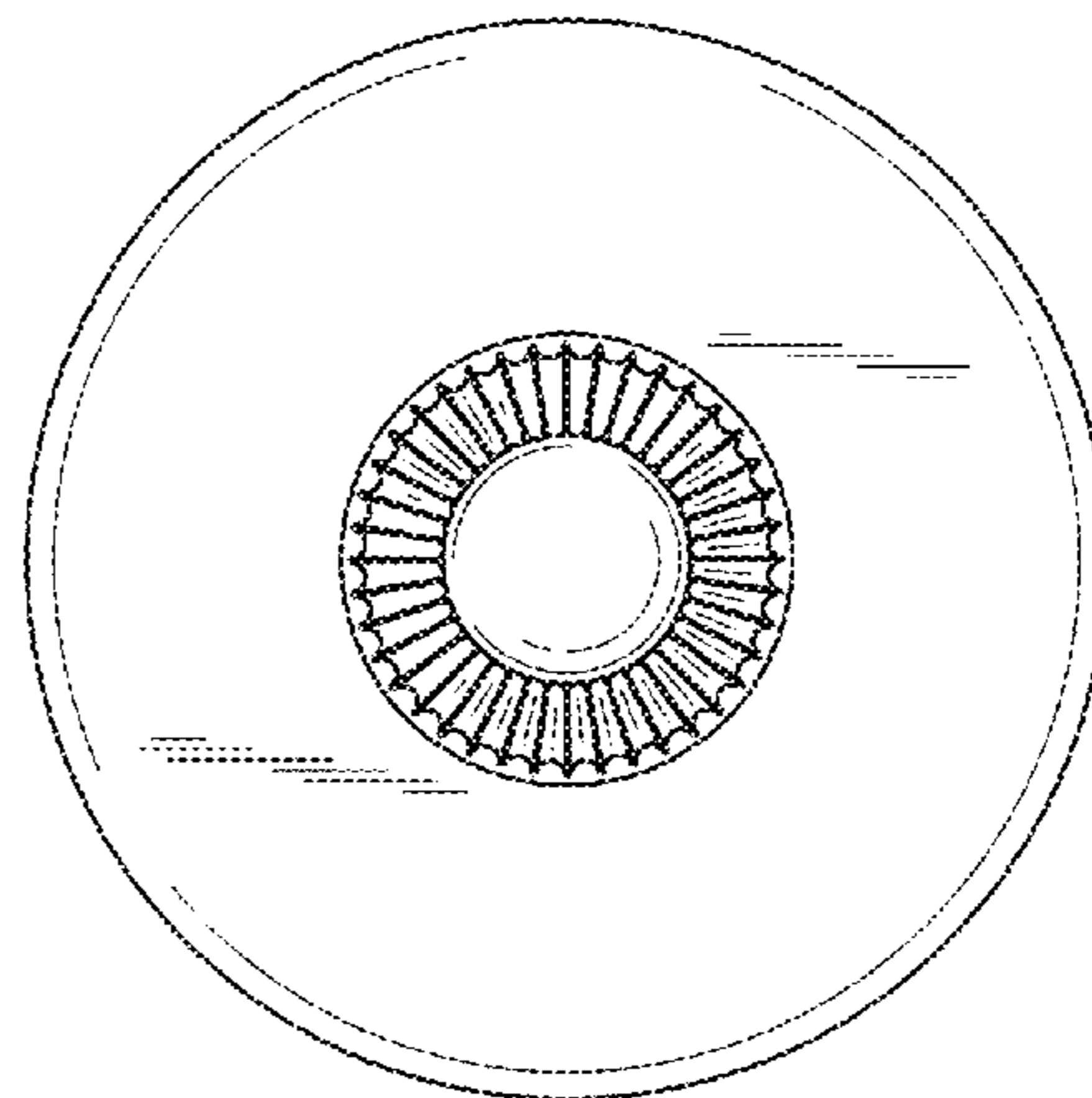
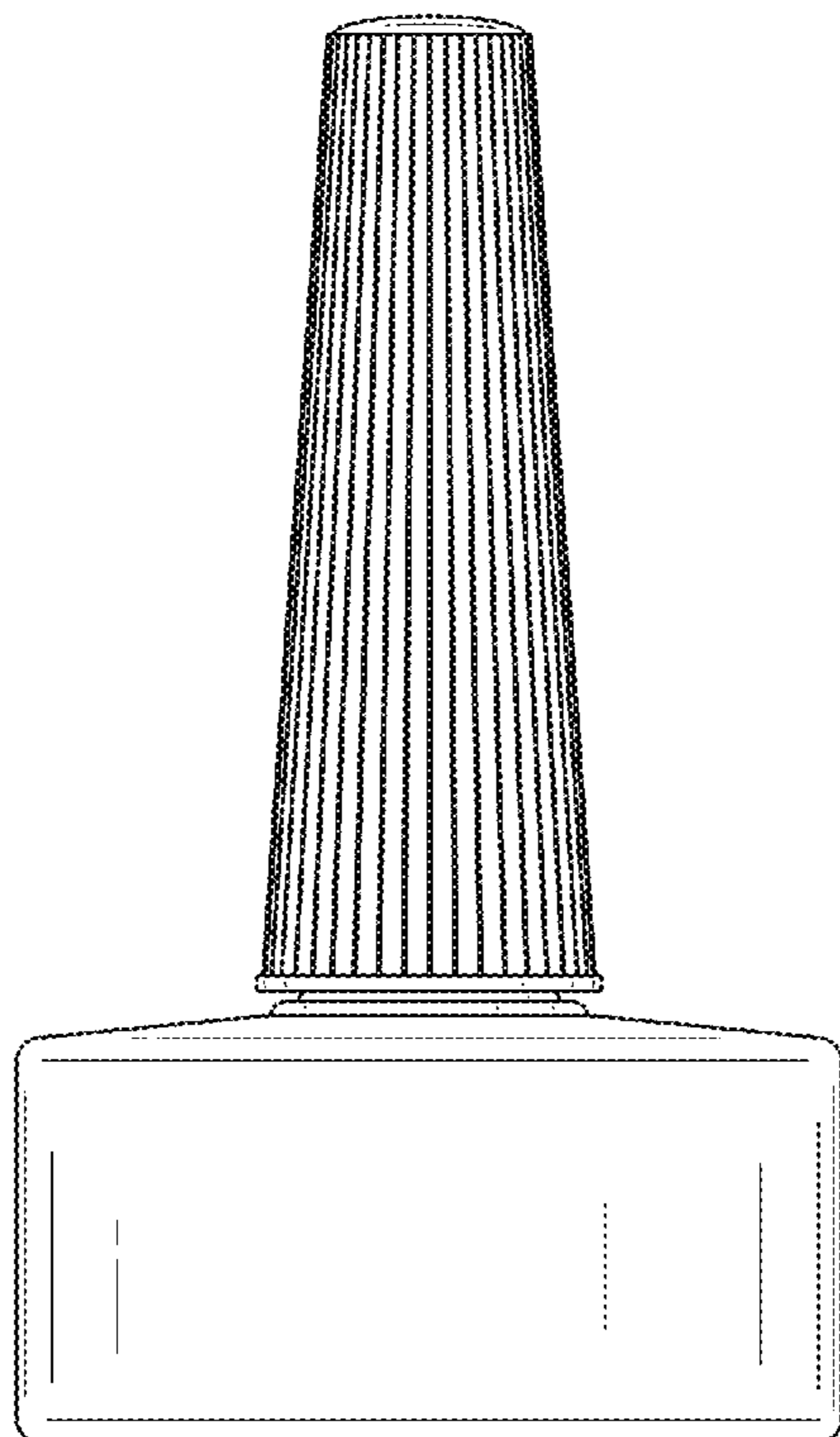
FIG. 1 is a perspective view of a nail polish bottle with cap, showing my new design;
FIG. 2 is a front elevation view thereof, the rear, left, and right elevation views being mirror images of FIG. 1; and, FIG. 3 is a top plan view of FIG. 1.

1 Claim, 2 Drawing Sheets

(56) **References Cited**

U.S. PATENT DOCUMENTS

D153,792 S *	5/1949	Gulley	D9/558
3,361,304 A *	1/1968	Thompson	A61M 11/00
				222/190
3,404,774 A *	10/1968	Levine	B65D 73/0014
				206/464



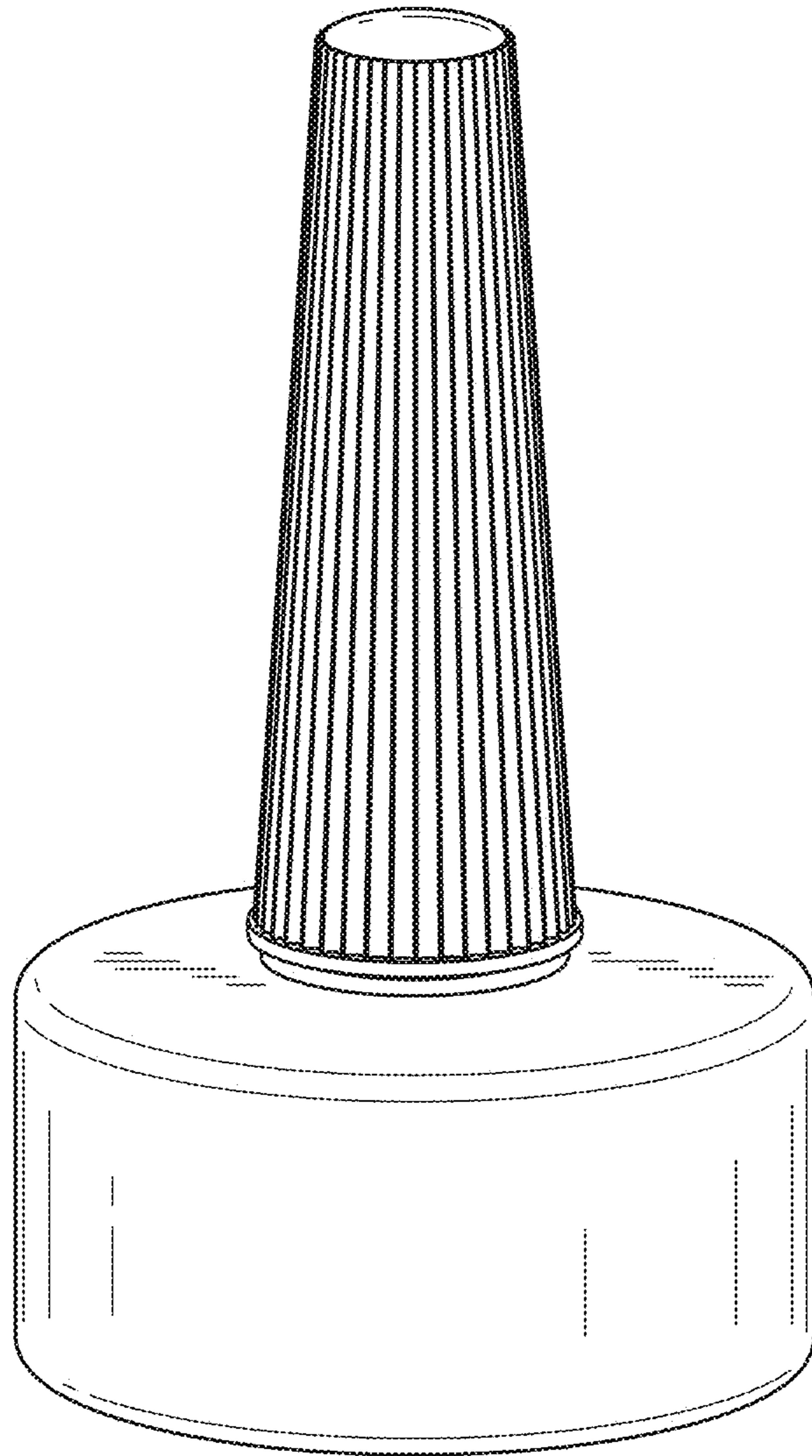


FIG. 1

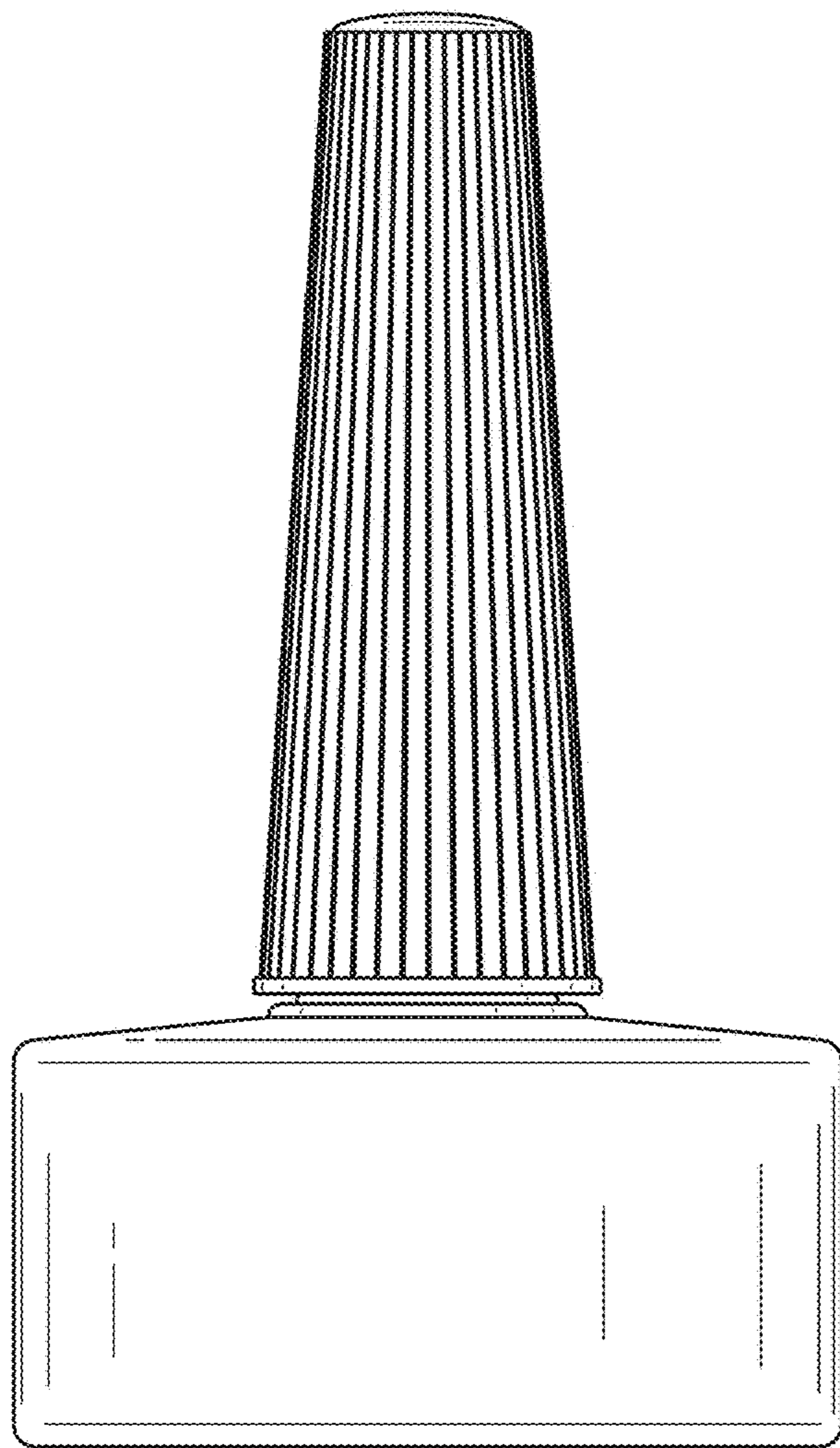


FIG. 2

FIG. 3

