

US00D852041S

(12) **United States Design Patent**
Avilés

(10) **Patent No.:** **US D852,041 S**
(45) **Date of Patent:** **** Jun. 25, 2019**

- (54) **BOTTLE ADAPTER FOR PILL ADMINISTRATION**
- (71) Applicant: **EDISON NATION, LLC**, Charlotte, NC (US)
- (72) Inventor: **Ricardo Avilés**, San Juan, PR (US)
- (73) Assignee: **Edison Nation, LLC**, Charlotte, NC (US)
- (**) Term: **15 Years**
- (21) Appl. No.: **29/644,215**
- (22) Filed: **Apr. 16, 2018**
- (51) **LOC (11) Cl.** **09-07**
- (52) **U.S. Cl.**
USPC **D9/436; D24/220**
- (58) **Field of Classification Search**
USPC D9/414, 416, 425, 434, 435, 436, 438, D9/439, 440, 442, 443, 446-450, D9/452-457, 499, 503-505, 682, 685, D9/686, 437; D7/387, 391, 392, 392.1, D7/393, 394, 396.1-396.4, 401.1, D7/503-505, 509-511, 538, 900; D3/201, 202, 203.2, 318; D28/91, 91.1; D24/129, 220
CPC .. A61J 1/00; A61J 1/1412; B65D 1/00; B65D 1/02; B65D 1/10; B65D 1/46; B65D 2585/56; B65D 2585/545; B65D 41/00; B65D 41/38; B65D 41/56; B65D 41/62; B65D 47/00; B65D 47/06; B65D 47/08; B65D 2543/00046; B65D 2543/00092; B65D 2543/00296; B65D 5/46; B65D 2251/00
See application file for complete search history.

(56) **References Cited**

U.S. PATENT DOCUMENTS

- D34,081 S * 2/1901 Crocker D6/580
- D347,894 S * 6/1994 Hansen D24/114

- 5,840,185 A * 11/1998 Hughes B01D 35/04 210/232
- D433,148 S * 10/2000 Dennis D24/220
- D437,782 S * 2/2001 Haley D9/440
- 6,386,358 B1 * 5/2002 North A61J 7/0046 206/217
- D467,769 S * 12/2002 Riendeau D9/447
- 6,508,424 B1 * 1/2003 Marshall A61J 7/0007 241/169.1

(Continued)

OTHER PUBLICATIONS

Amazon.com “Ezy Dose Medi-Spout Pill Assist Water Bottle Cap Makes Pill Swallowing Easy” (online) earliest customer review dated Jul. 5, 2018. Retrieved from Internet on Feb. 2, 2019, URL: https://www.amazon.com/Medi-Spout-Assist-Water-Bottle-Swallowing/dp/B07CDN5NFB/ref=cm_cr_arp_d_product_top?ie=UTF8 (10 pages).*

(Continued)

Primary Examiner — Michael A. Pratt
Assistant Examiner — Wendy L Arminio
(74) *Attorney, Agent, or Firm* — Tillman Wright, PLLC; David R. Higgins; James D. Wright

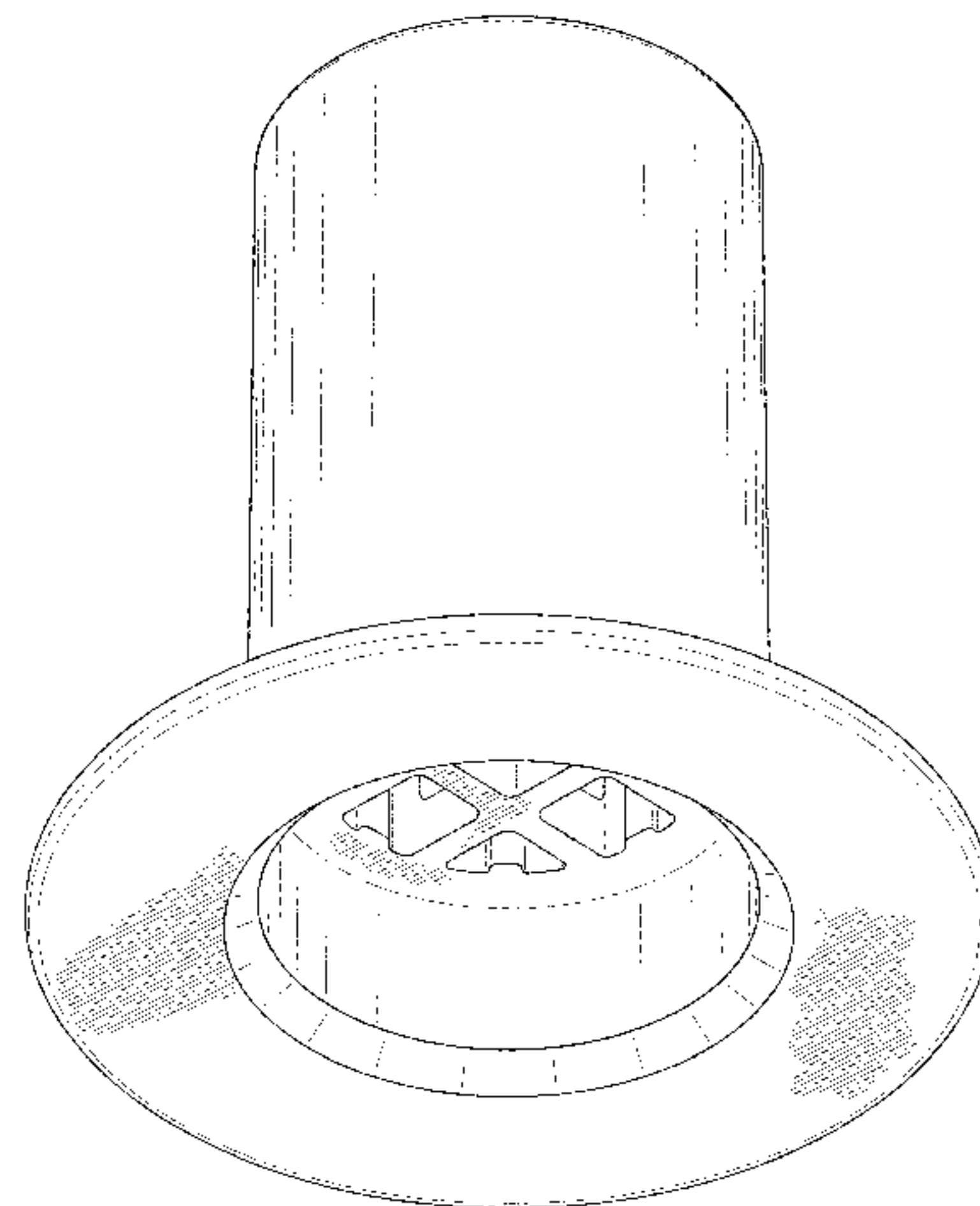
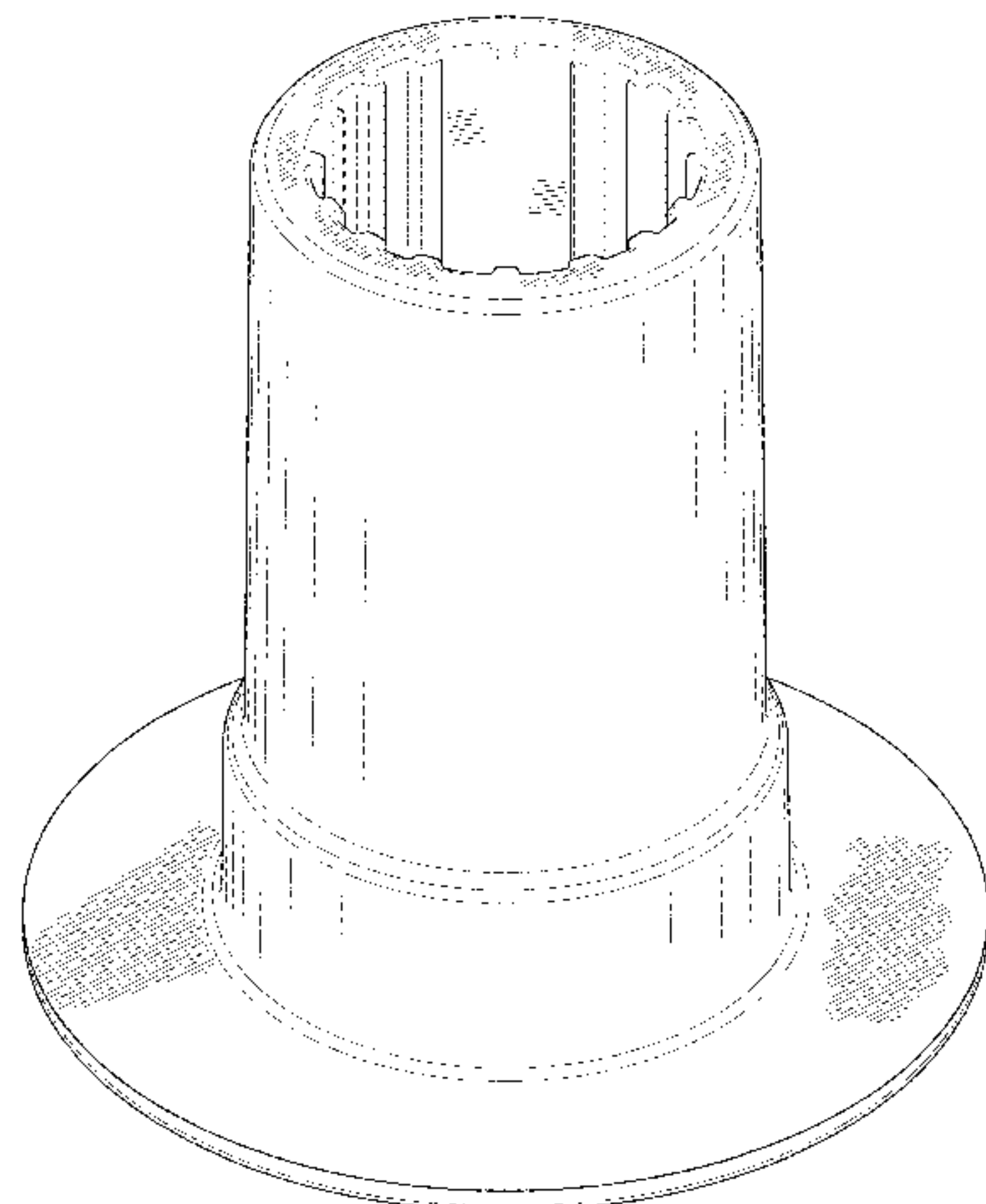
(57) **CLAIM**

The ornamental design for a bottle adapter for pill administration, as shown.

DESCRIPTION

FIG. 1 is a top orthogonal view of a bottle adapter for pill administration;
FIG. 2 is a bottom orthogonal view thereof;
FIG. 3 is a front view thereof;
FIG. 4 is a left side view thereof;
FIG. 5 is a right side view thereof;
FIG. 6 is a rear view thereof;
FIG. 7 is a top view thereof; and,
FIG. 8 is a bottom view thereof.

1 Claim, 8 Drawing Sheets



(56)

References Cited

U.S. PATENT DOCUMENTS

D497,282 S * 10/2004 Kelly D7/300.1
D512,256 S * 12/2005 Allsopp D6/580
D545,622 S * 7/2007 Gomez A61J 7/0007
D24/220
7,431,175 B2 10/2008 Heilos
7,481,324 B2 * 1/2009 Almonte A61J 11/04
215/11.1
8,142,654 B2 * 3/2012 Kohl C02F 1/002
210/244
D660,452 S * 5/2012 Wolff D24/220
8,298,174 B2 * 10/2012 Showers A61J 7/0061
215/211
D730,730 S * 6/2015 Haley D9/440
D731,617 S * 6/2015 Kohl D23/209
D744,335 S * 12/2015 Rigollet D9/436
D758,095 S * 6/2016 Jennings D6/580
D827,130 S * 8/2018 Penttila D24/129
2005/0184026 A1 * 8/2005 Haley B65D 47/06
215/306
2008/0073383 A1 * 3/2008 McDonald B65D 47/06
222/500

OTHER PUBLICATIONS

Oralflo, The Pill Swallowing Cup <<http://oralflo.com/about-oralflo/>>, accessed Mar. 1, 2018 (3 pages).

* cited by examiner

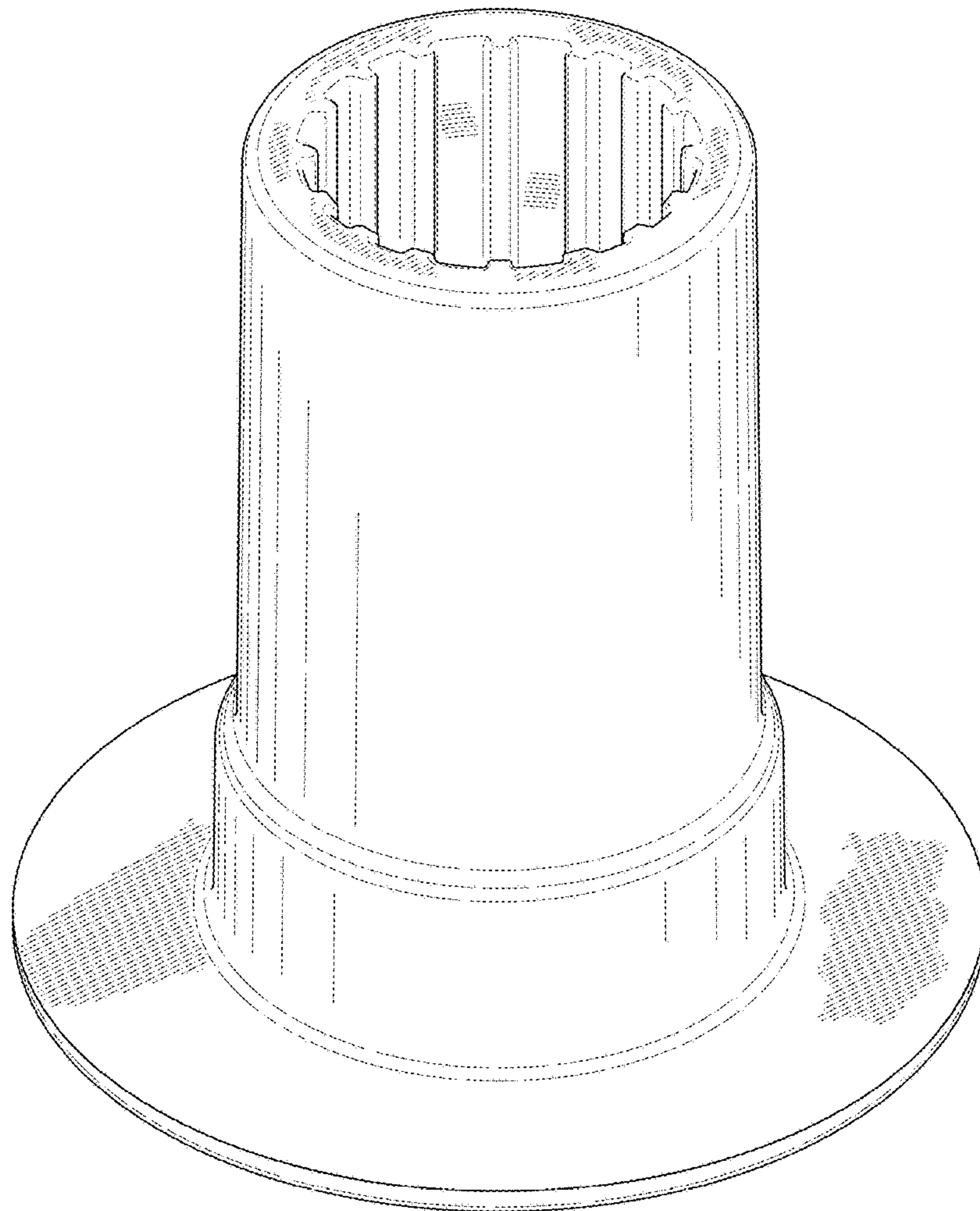


FIG. 1

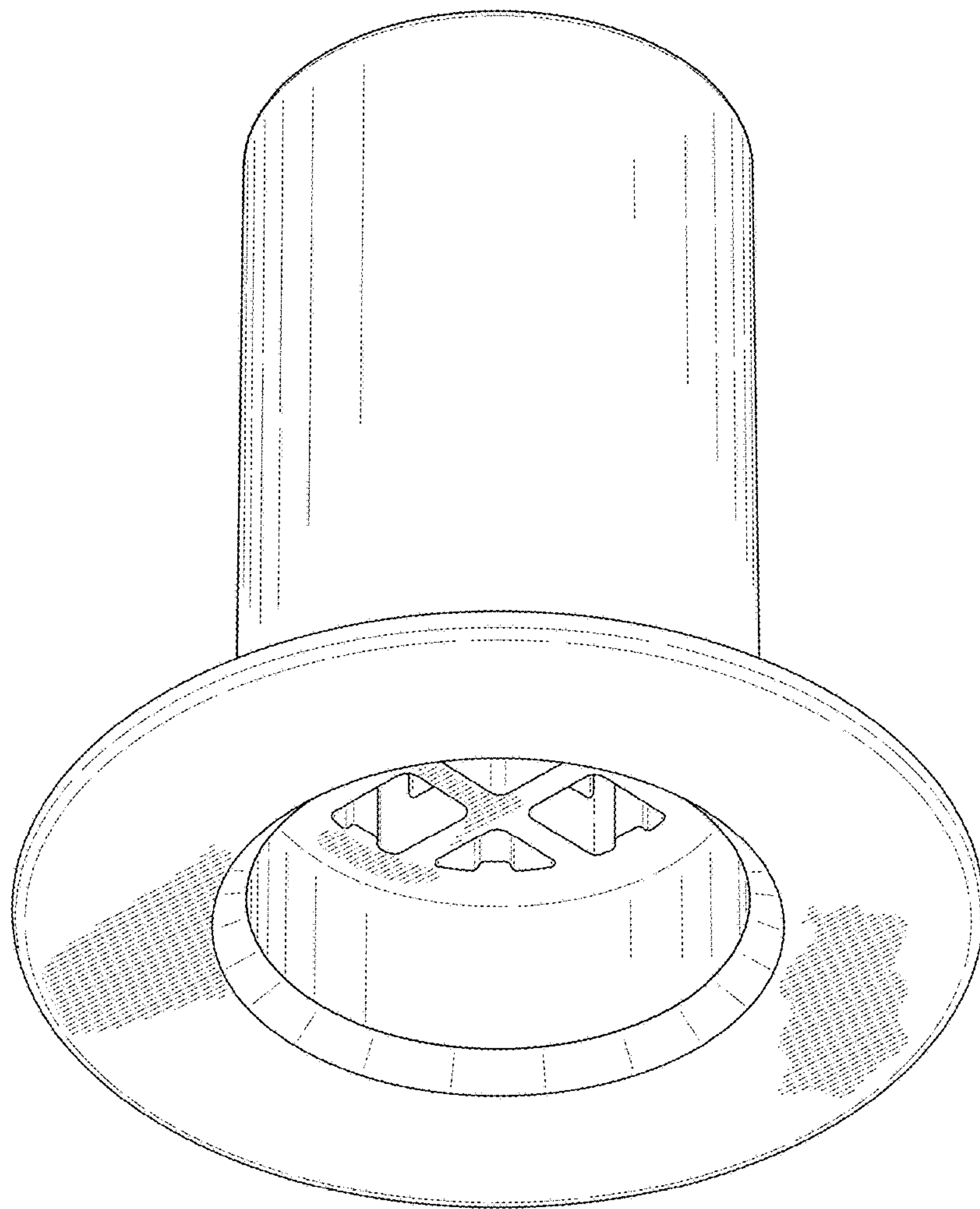


FIG. 2

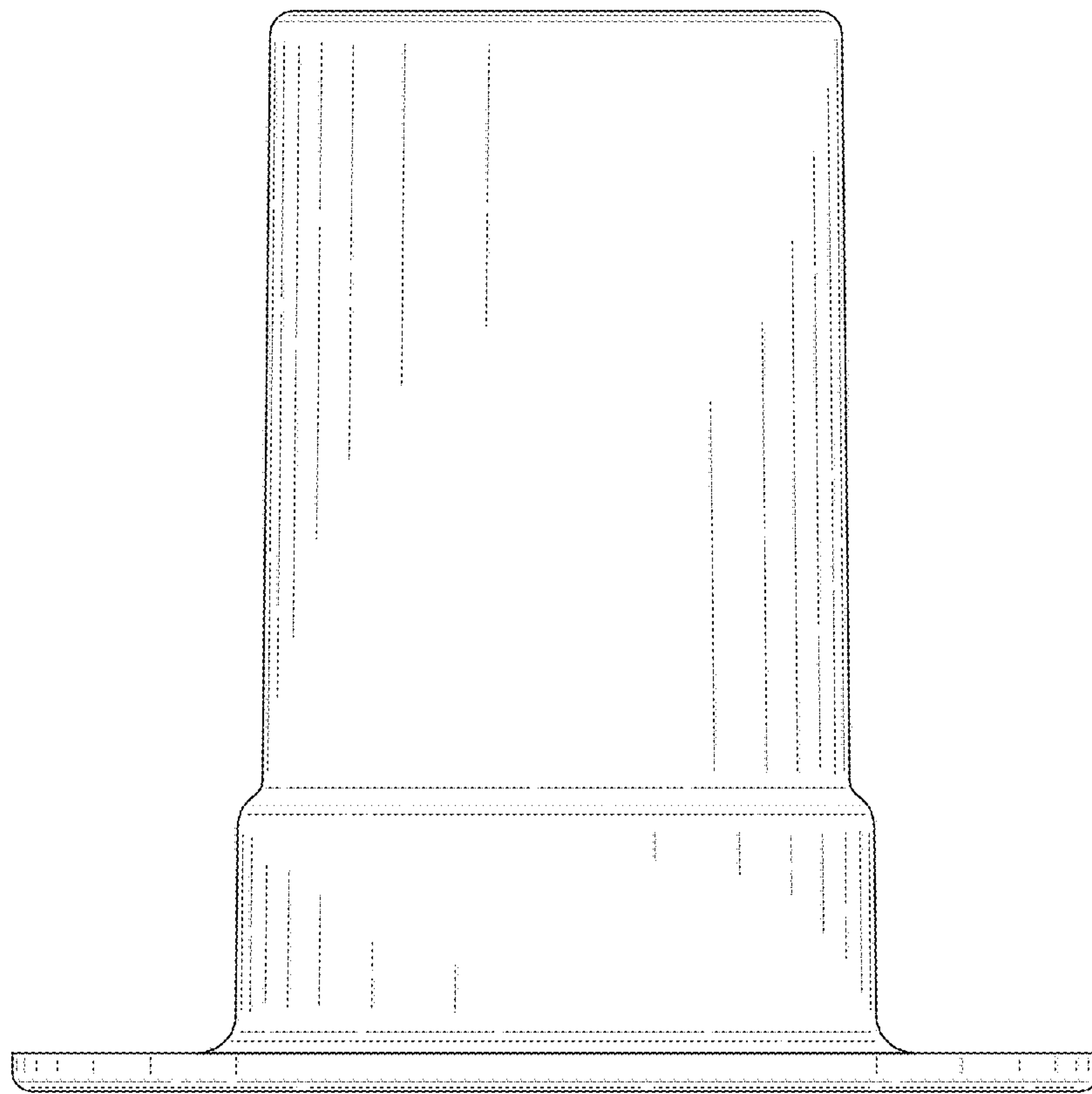


FIG. 3

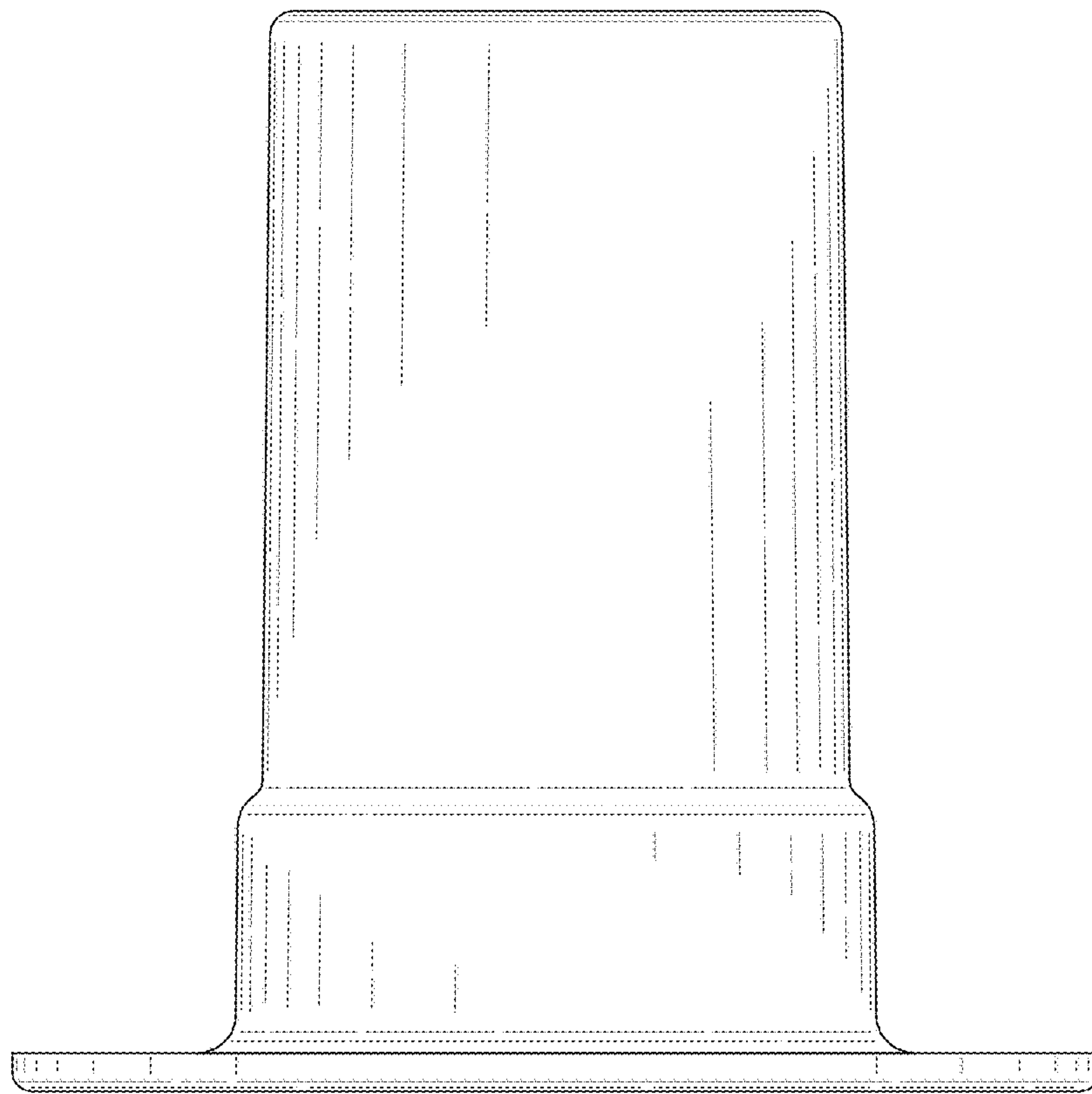


FIG. 4

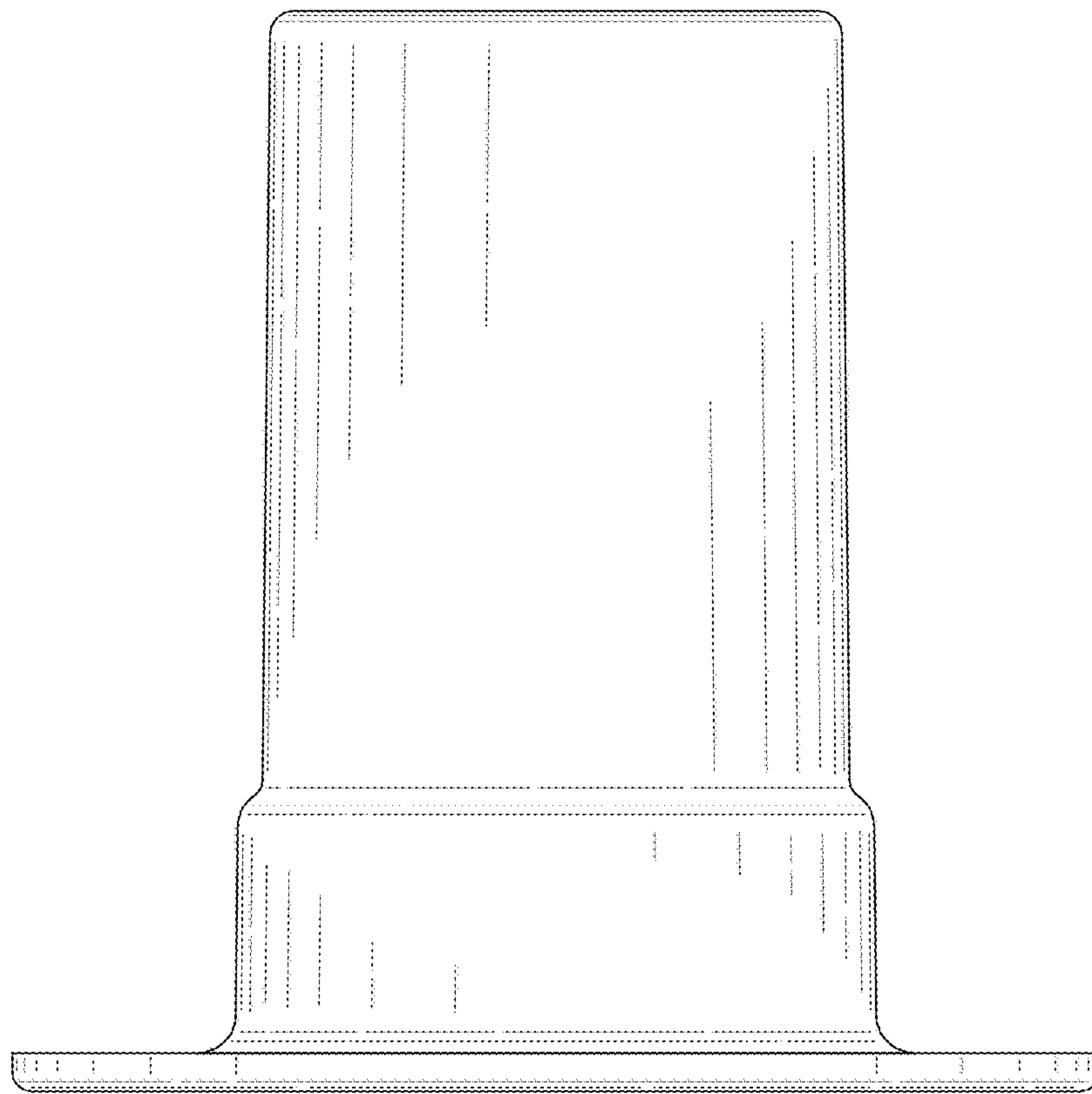


FIG. 5

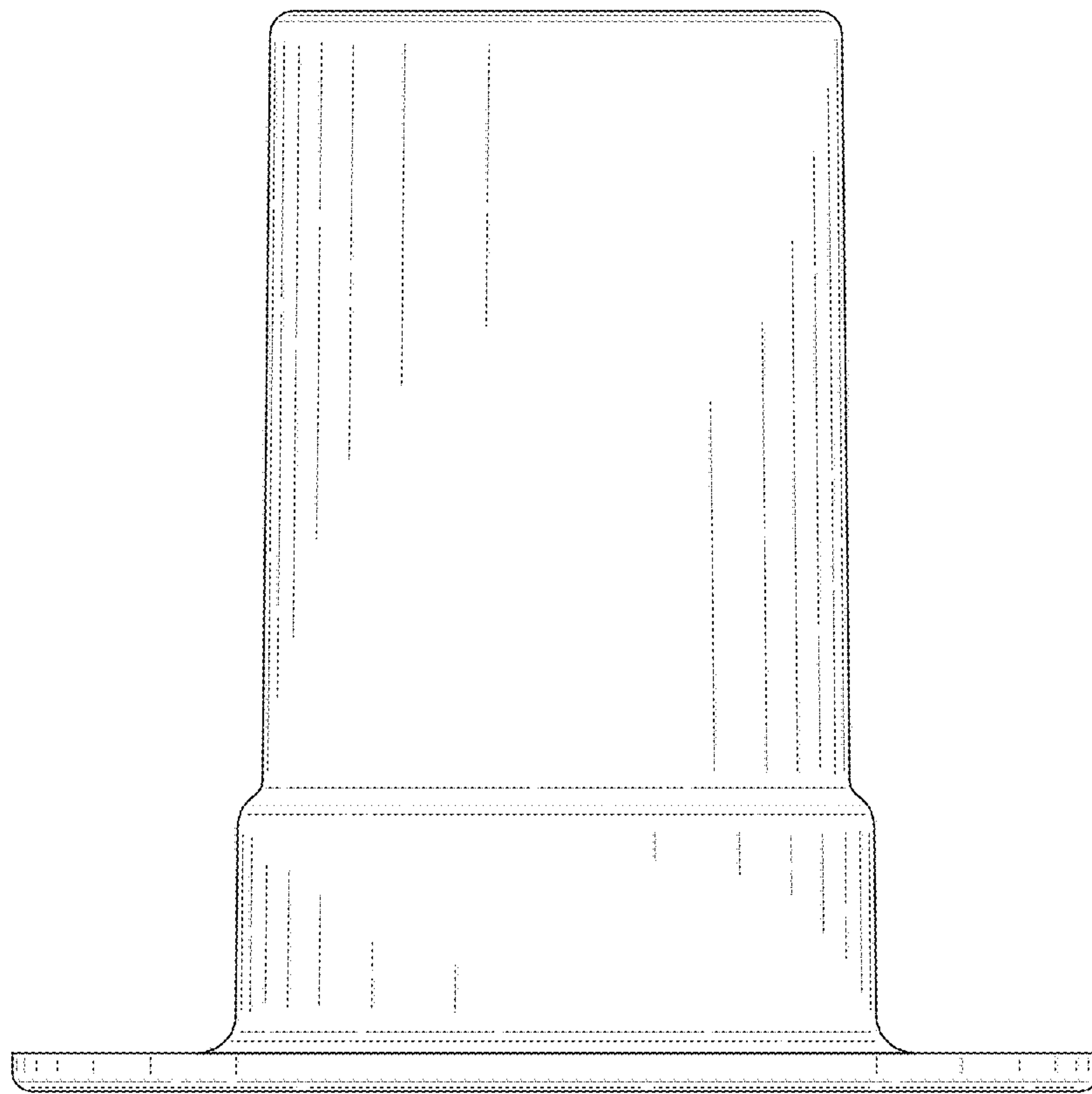


FIG. 6

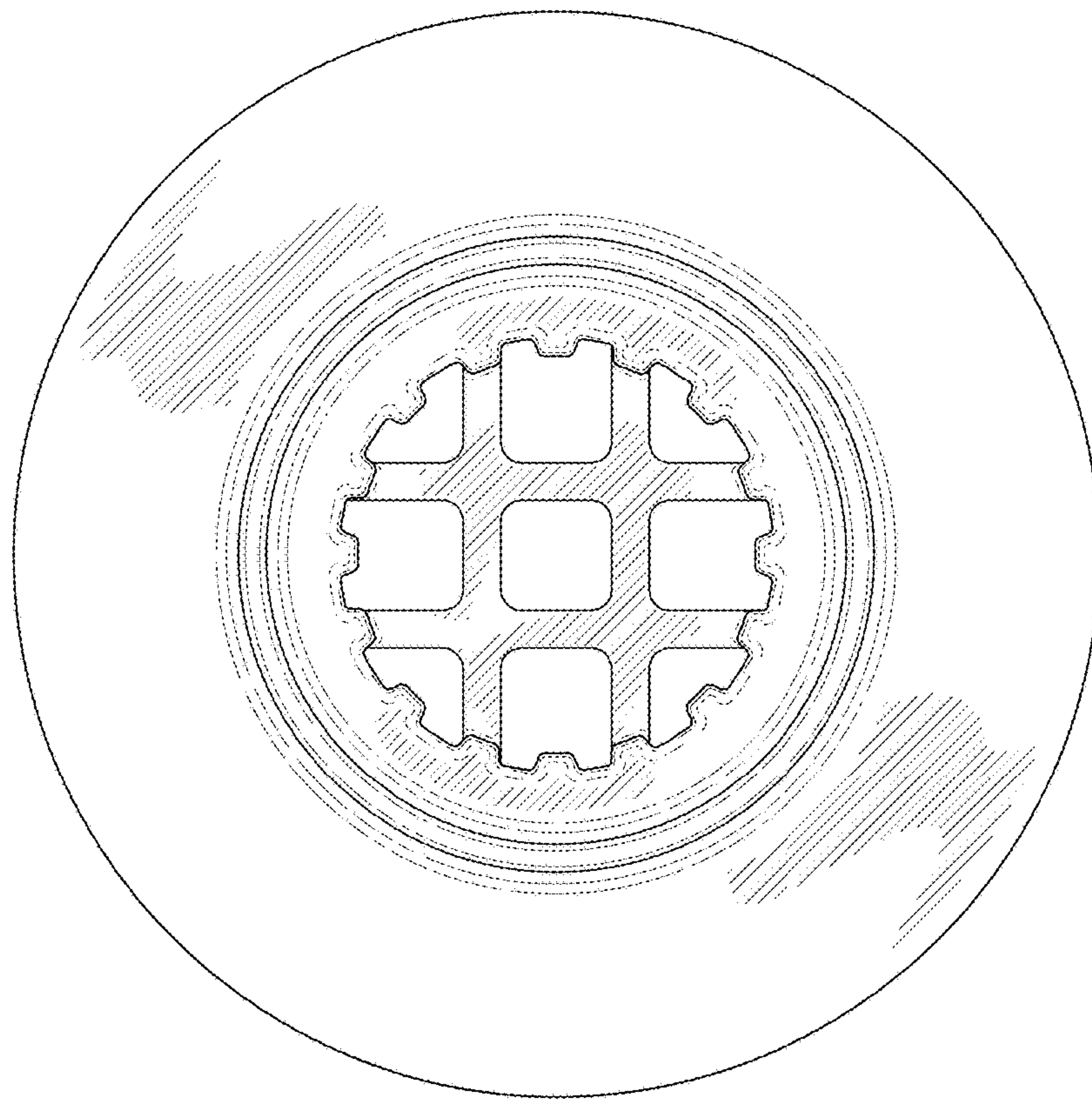


FIG. 7

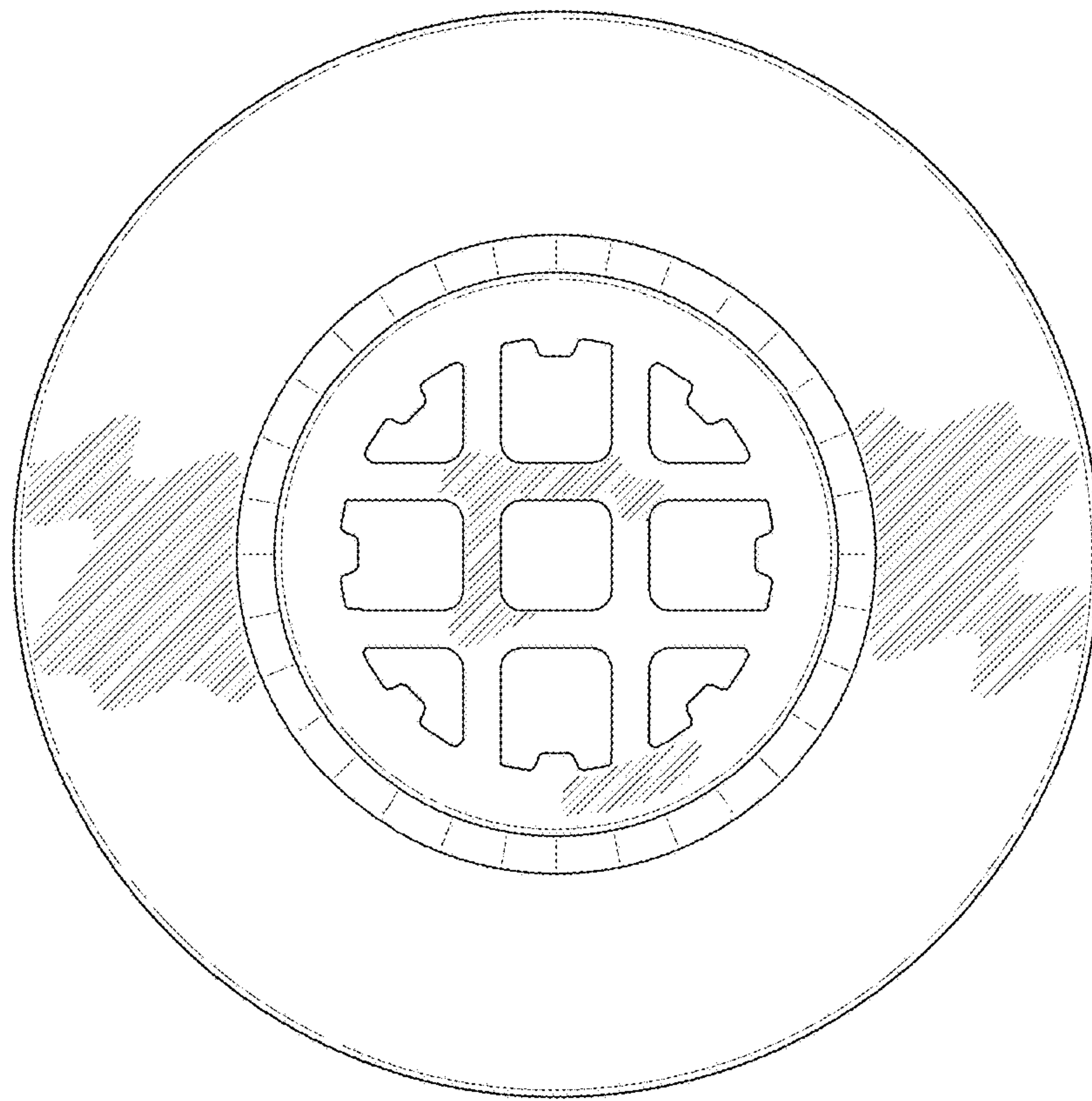


FIG. 8