



US00D852039S

(12) **United States Design Patent**
Troudt et al.

(10) **Patent No.:** **US D852,039 S**
(45) **Date of Patent:** **** Jun. 25, 2019**

- (54) **CONTAINER**
- (71) Applicant: **D6 Inc.**, Portland, OR (US)
- (72) Inventors: **Martin L. Troudt**, Portland, OR (US);
Edward C. Dominion, Portland, OR (US)
- (73) Assignee: **D6 Inc.**, Portland, OR (US)
- (**) Term: **15 Years**
- (21) Appl. No.: **29/682,589**
- (22) Filed: **Mar. 6, 2019**
- (51) **LOC (11) Cl.** **09-03**
- (52) **U.S. Cl.**
USPC **D9/425**
- (58) **Field of Classification Search**
USPC D9/414, 418, 420, 424, 425, 426, 432;
D7/601, 602, 701, 703, 709, 629
CPC B65D 1/22-26
See application file for complete search history.

8,381,909 B2 * 2/2013 Hernandez B65D 21/0233
206/207
D694,616 S 12/2013 Prevost
D702,511 S * 4/2014 Segal D7/629
(Continued)

OTHER PUBLICATIONS

D6 Inc.: 3D-Printed Packaging: Ideation To Production. [online] Retrieved Apr. 9, 2019 from URL: <https://3d-printing.manufacturingtechnologyinsights.com/vendor/d6-inc-3dprinted-packaging-ideation-to-production-cid-206-mid-36.html>.*

(Continued)

Primary Examiner — Vy N Koenig
(74) *Attorney, Agent, or Firm* — Stoel Rives LLP

(57) **CLAIM**

The ornamental design for a container, as shown and described.

DESCRIPTION

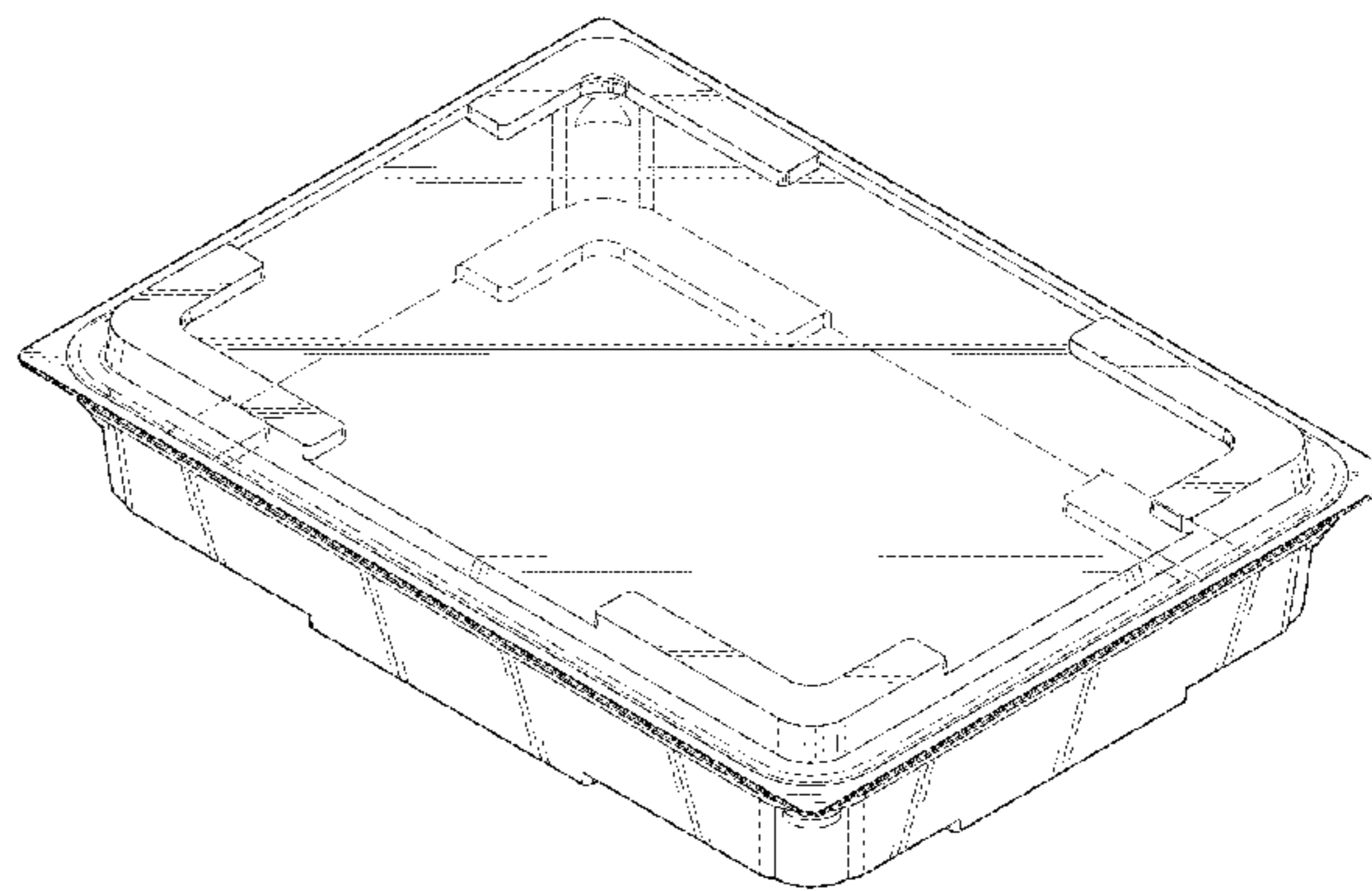
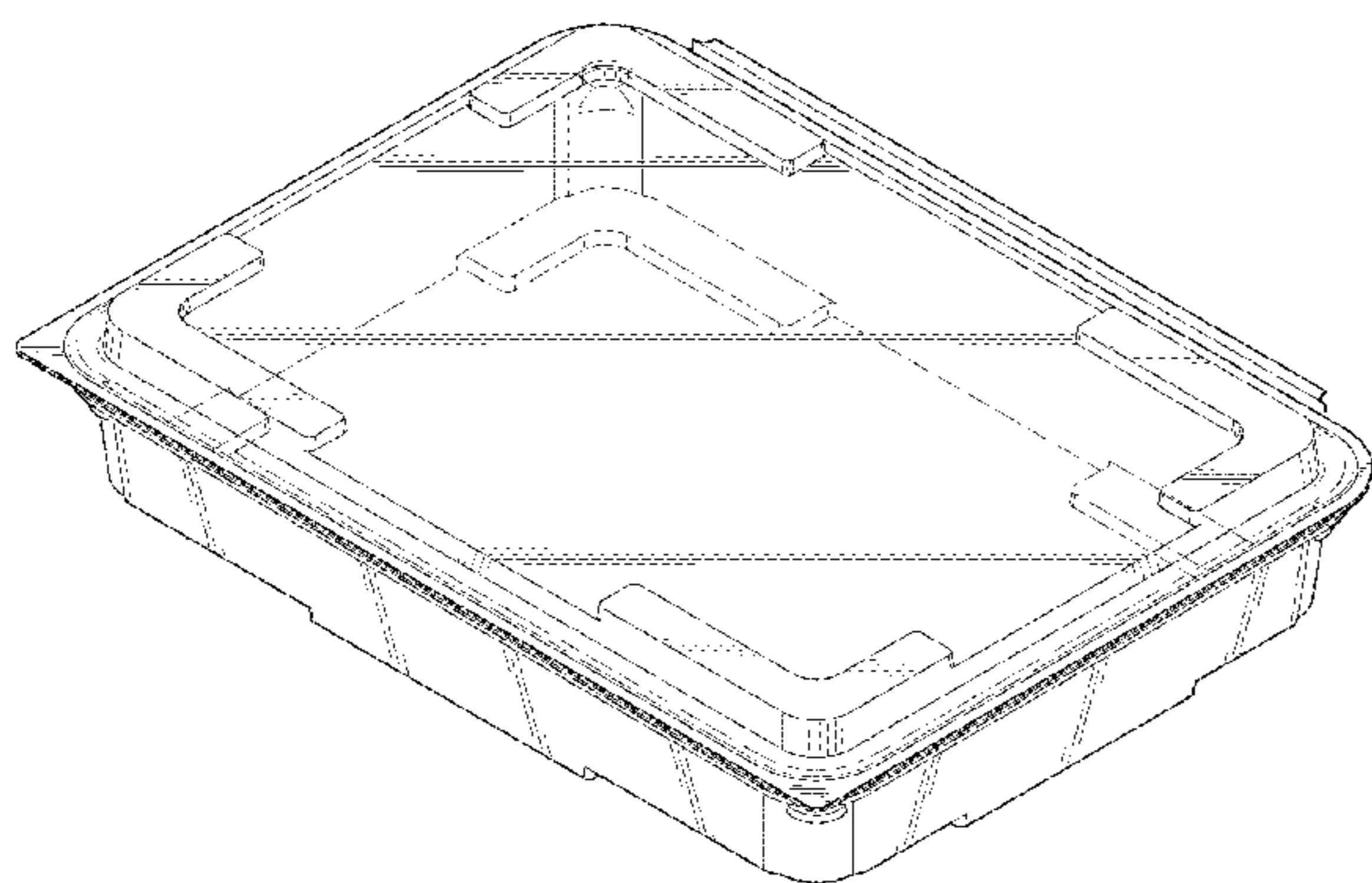
FIG. 1 is a top isometric view of a container showing our new design, according to a first embodiment.
 FIG. 2 is a bottom isometric view thereof.
 FIG. 3 is a front end view thereof.
 FIG. 4 is a rear end view thereof.
 FIG. 5 is a left side view thereof.
 FIG. 6 is a right side view thereof.
 FIG. 7 is a top view thereof.
 FIG. 8 is a bottom view thereof.
 FIG. 9 is a top isometric view of a container showing our new design, according to a second embodiment.
 FIG. 10 is a bottom isometric view thereof.
 FIG. 11 is a front end view thereof.
 FIG. 12 is a rear end view thereof.
 FIG. 13 is a left side view thereof.
 FIG. 14 is a right side view thereof.
 FIG. 15 is a top view thereof; and,
 FIG. 16 is a bottom view thereof.

1 Claim, 6 Drawing Sheets

(56) **References Cited**

U.S. PATENT DOCUMENTS

D243,230 S	*	2/1977	Kleiner	D9/426
D275,653 S		9/1984	Crutchfield		
D286,729 S		11/1986	Tzifkansky et al.		
D302,774 S		8/1989	Murphy		
D363,662 S		10/1995	Plater		
D383,606 S	*	9/1997	Bourbonnais	D3/273
D439,159 S		3/2001	Chen		
D466,808 S		12/2002	Liu et al.		
D475,620 S		6/2003	Chen et al.		
D539,644 S	*	4/2007	Fuerst	D9/424
D554,531 S		11/2007	Lovett		
D592,500 S	*	5/2009	Colacitti	D7/354
D597,383 S	*	8/2009	Masterton	D3/272
D614,950 S		5/2010	Colacitti		
D627,219 S		11/2010	Golota et al.		
D660,692 S	*	5/2012	Hauptert	D9/424
D665,677 S		8/2012	Wu		



(56)

References Cited

U.S. PATENT DOCUMENTS

D724,903 S	*	3/2015	Chen	D7/629
D742,218 S	*	11/2015	Astorga	D9/424
D752,430 S	*	3/2016	Stevenson	D9/425
D769,113 S		10/2016	Chen	
D789,786 S		6/2017	Michalas et al.	
D795,057 S	*	8/2017	Segal	D9/425
D801,170 S		10/2017	Wu	
D801,804 S	*	11/2017	McCune	D9/424
D830,796 S	*	10/2018	Chen	D7/703
D831,445 S	*	10/2018	Karger	D7/709
D832,697 S	*	11/2018	Adams, III	D9/425
D841,462 S	*	2/2019	Kui	D9/425

OTHER PUBLICATIONS

Photos of a D6 Inc. product that was publically available in the U.S. at least before Mar. 1, 2018.

* cited by examiner

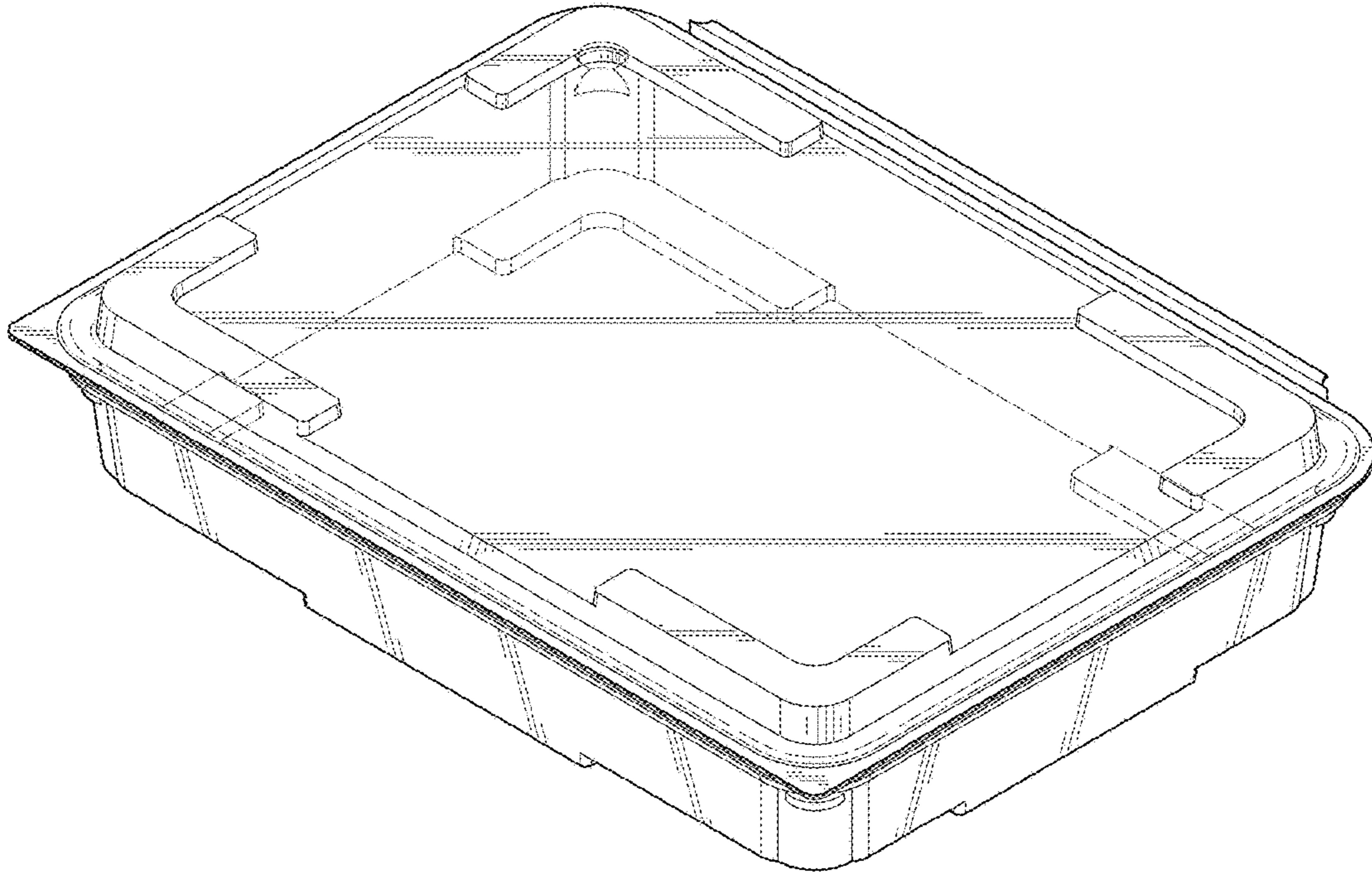


FIG. 1

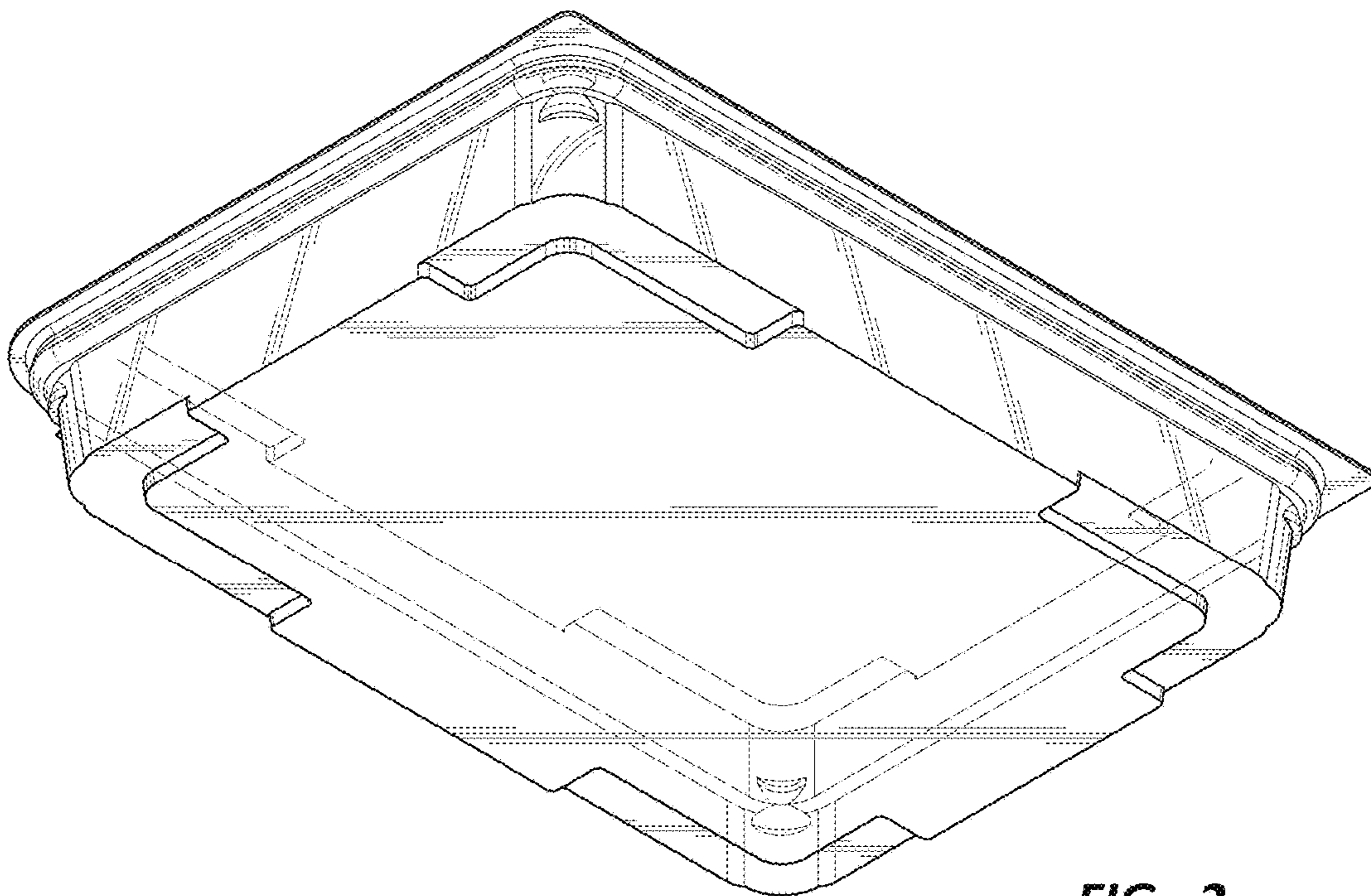


FIG. 2

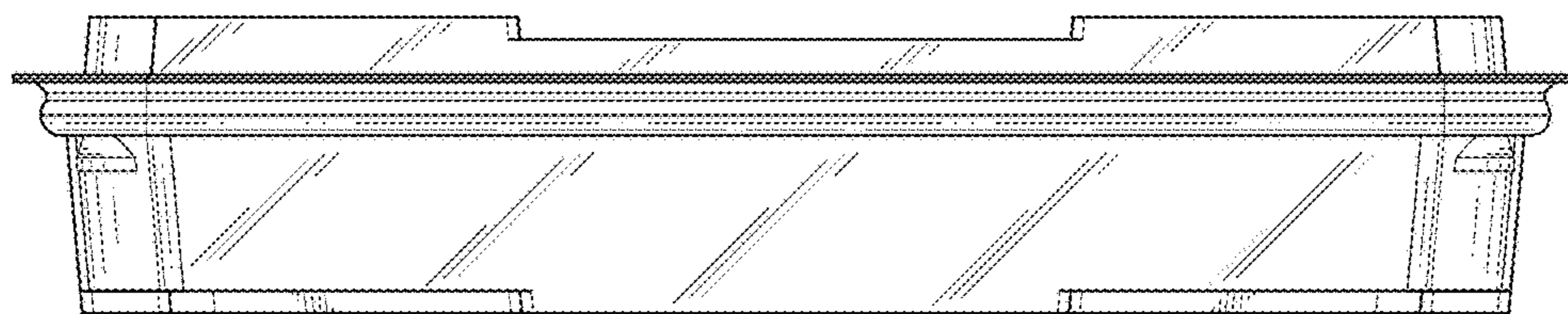


FIG. 3

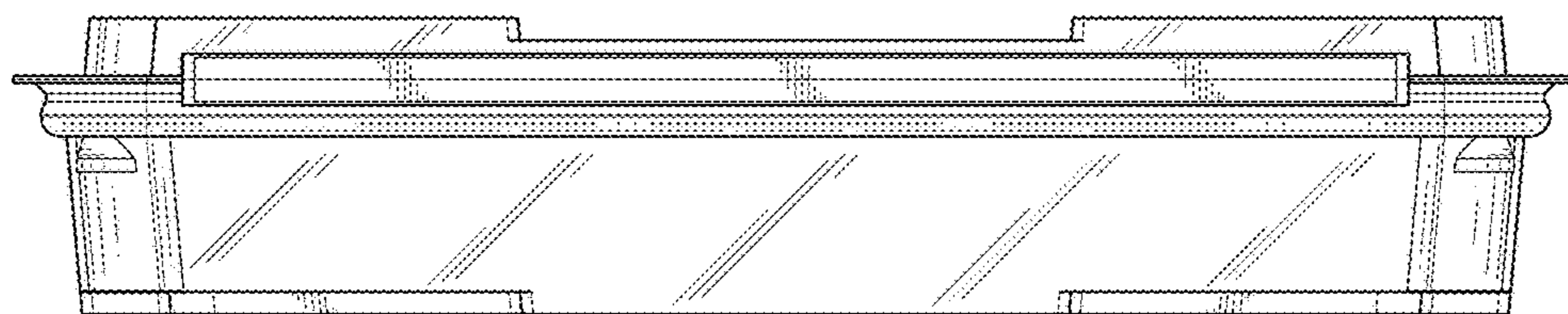


FIG. 4

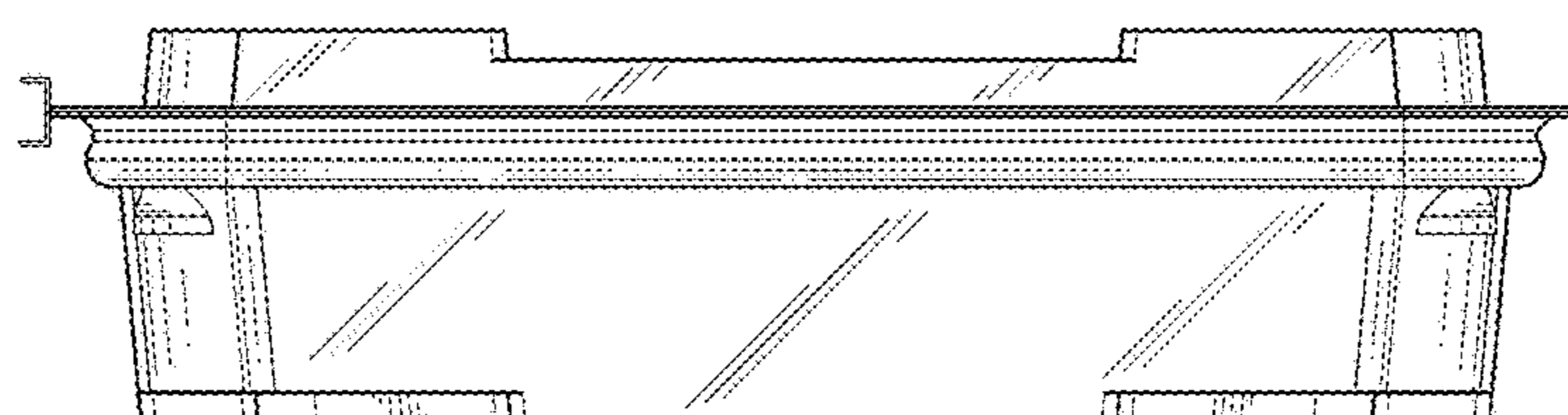


FIG. 5

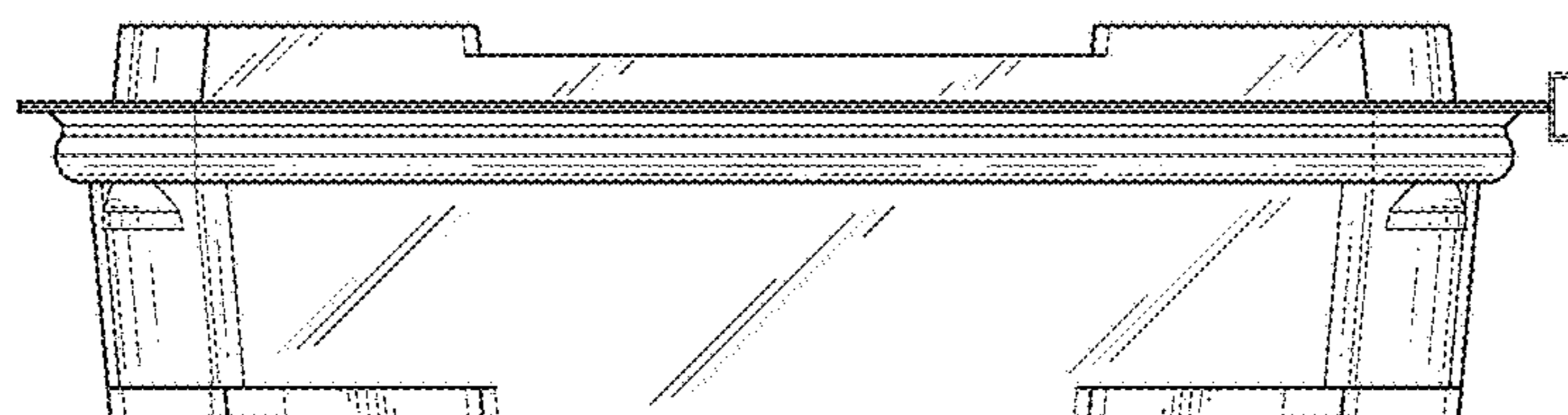


FIG. 6

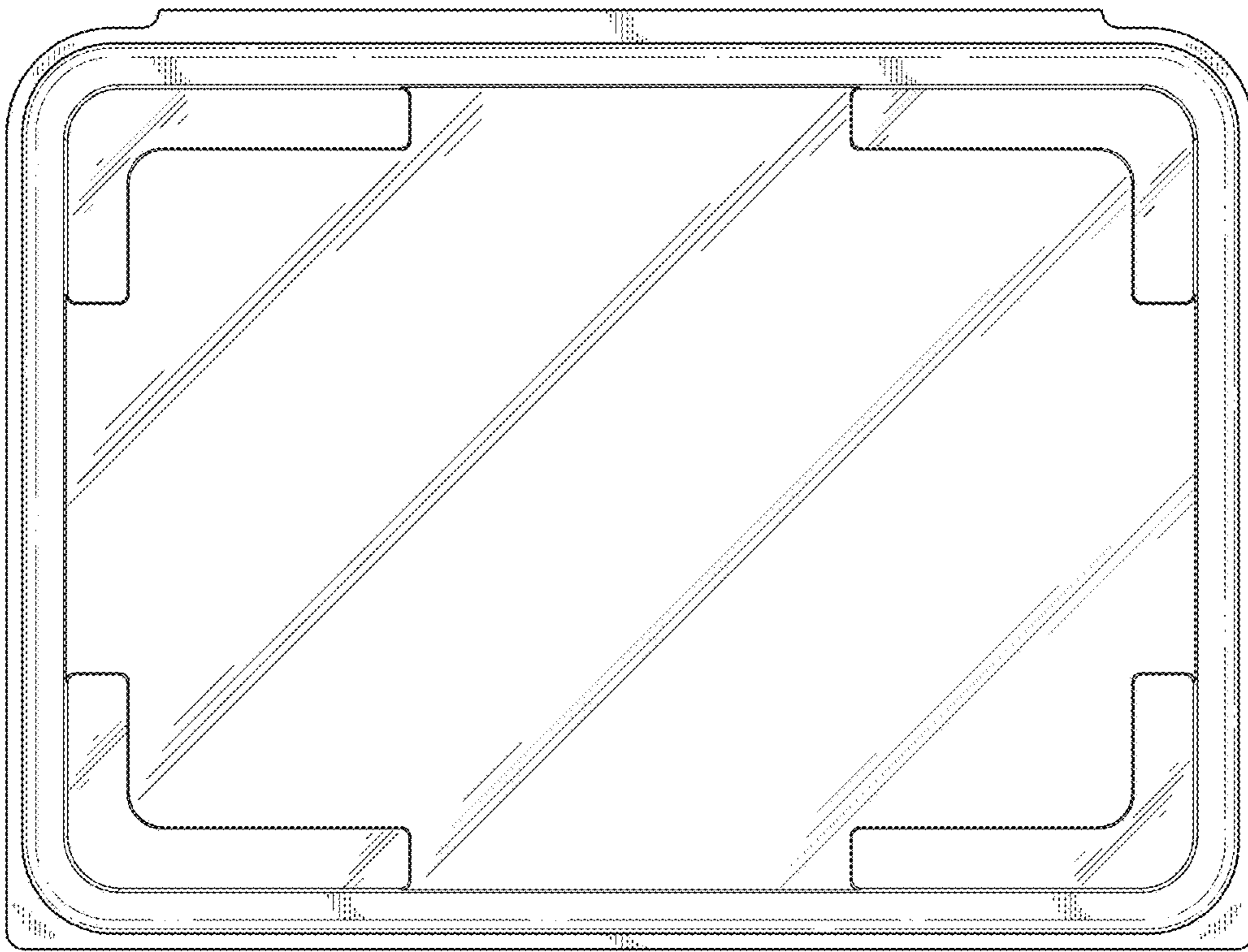


FIG. 7

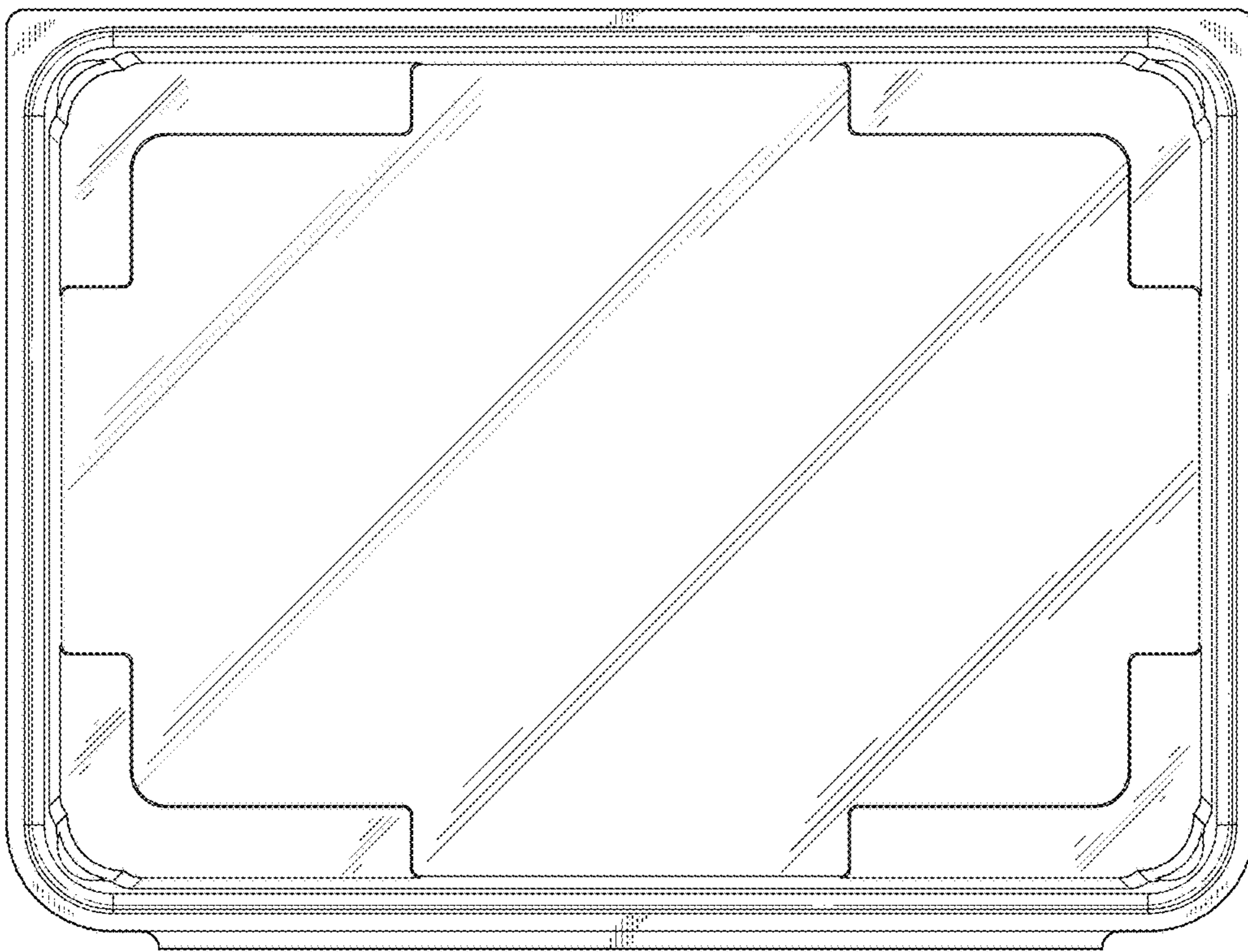


FIG. 8

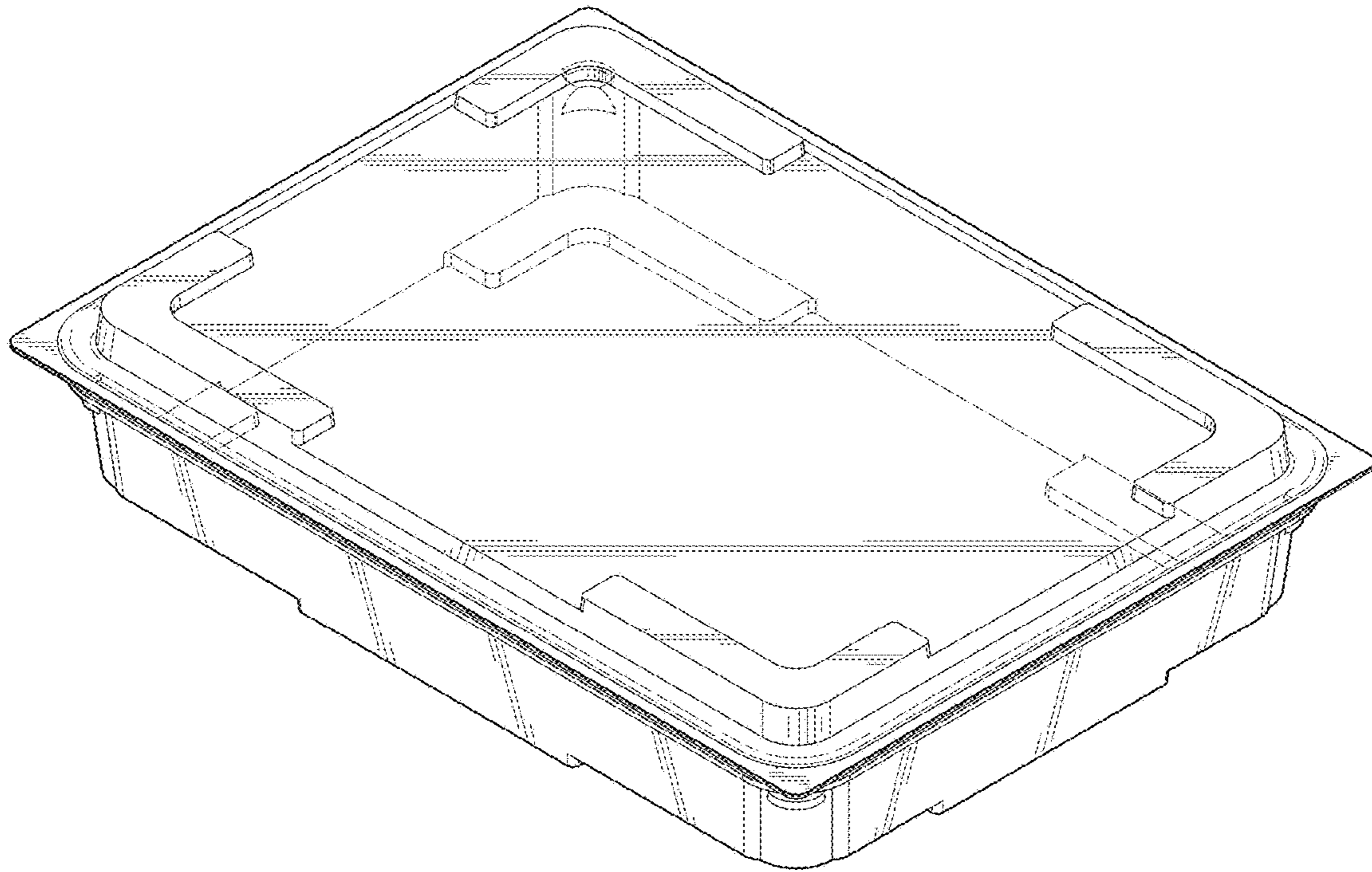


FIG. 9

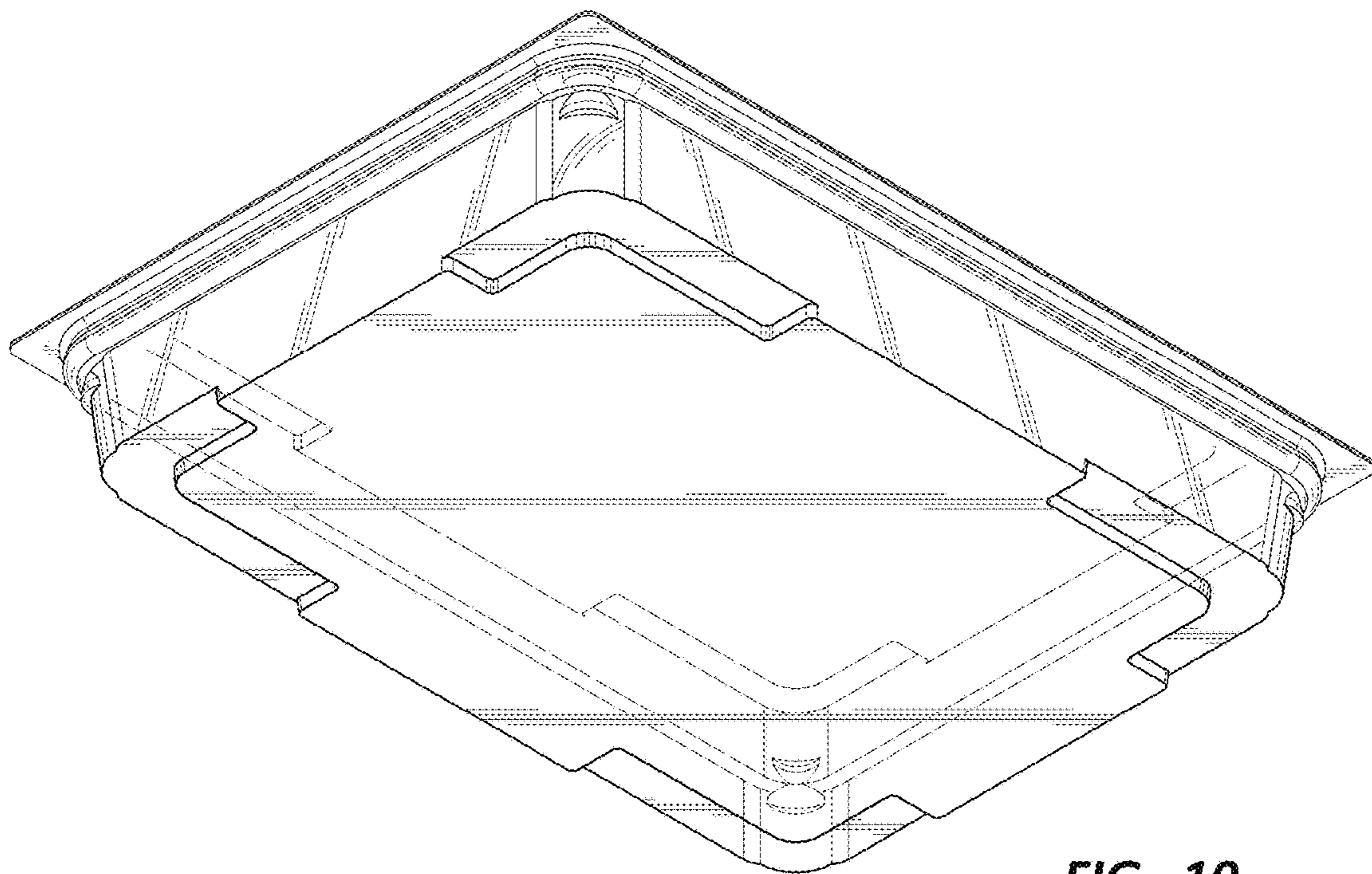


FIG. 10

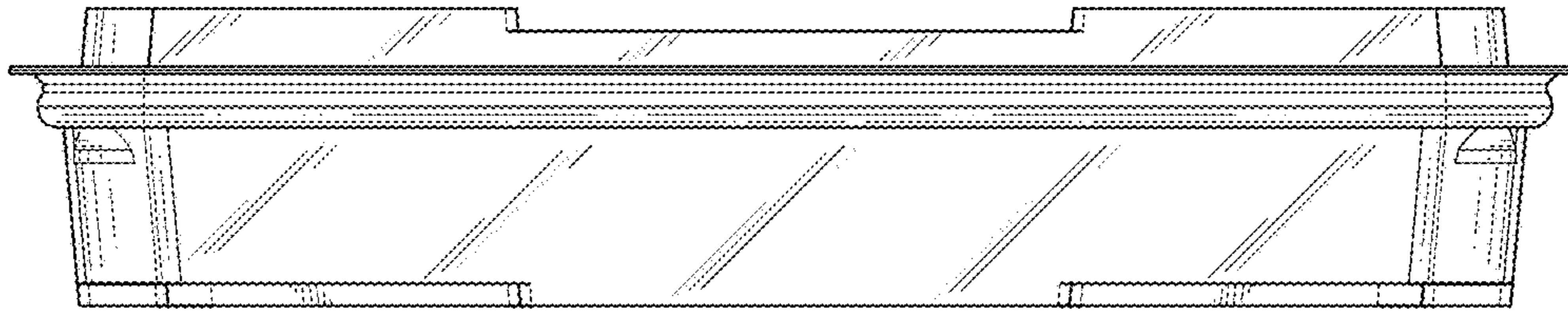


FIG. 11

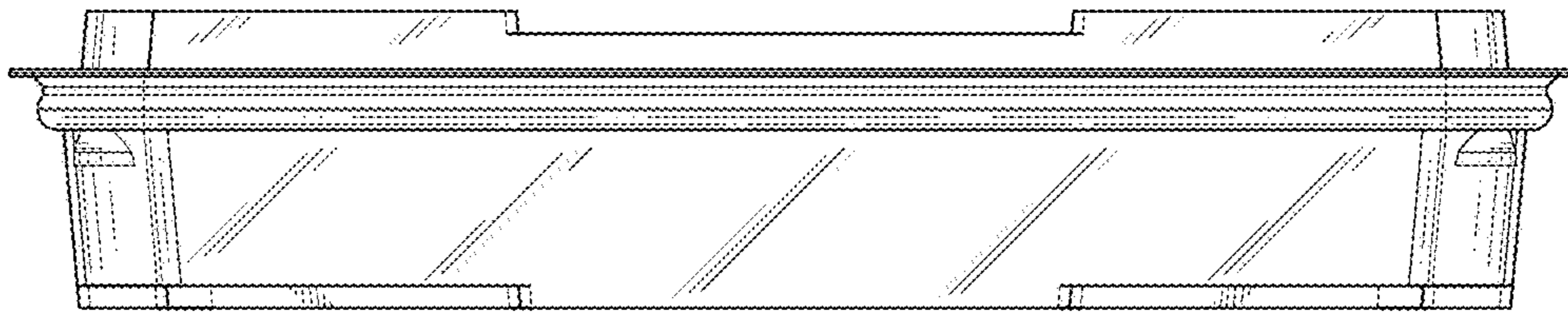


FIG. 12

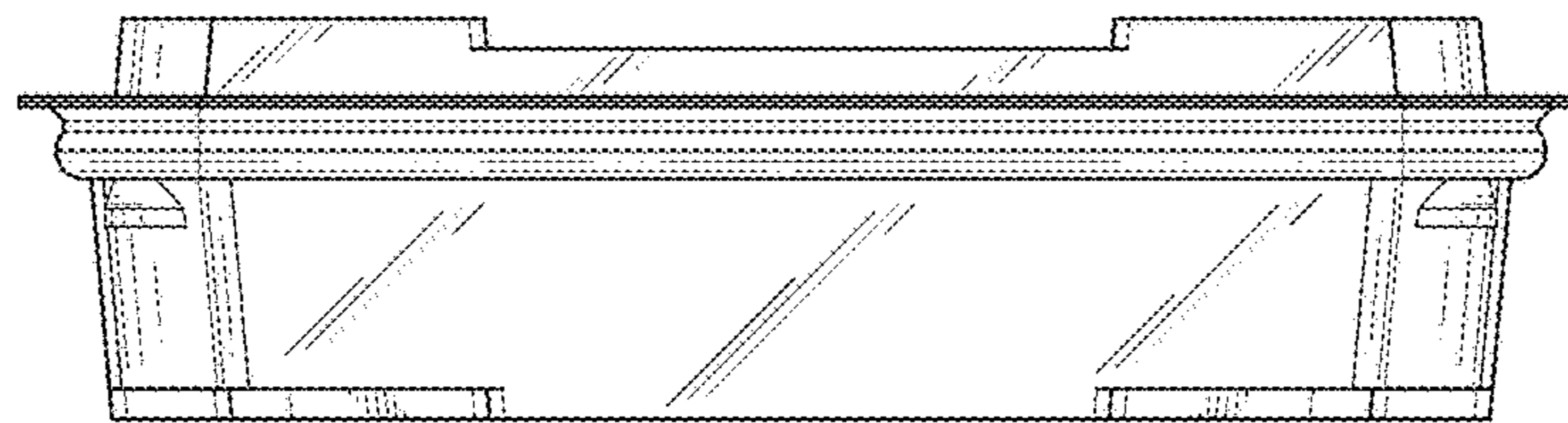


FIG. 13

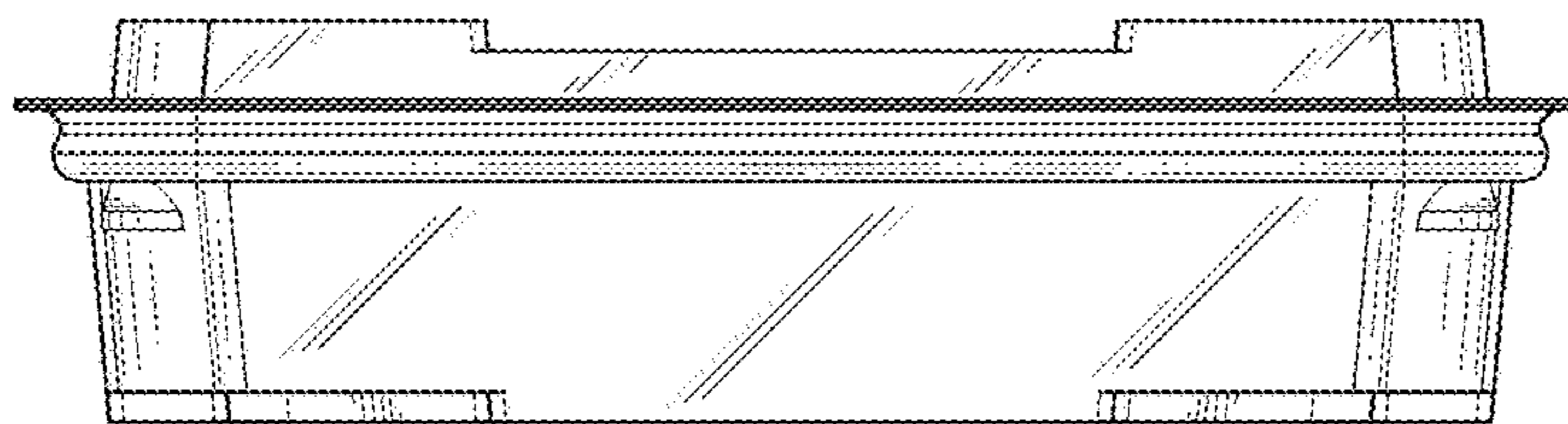


FIG. 14

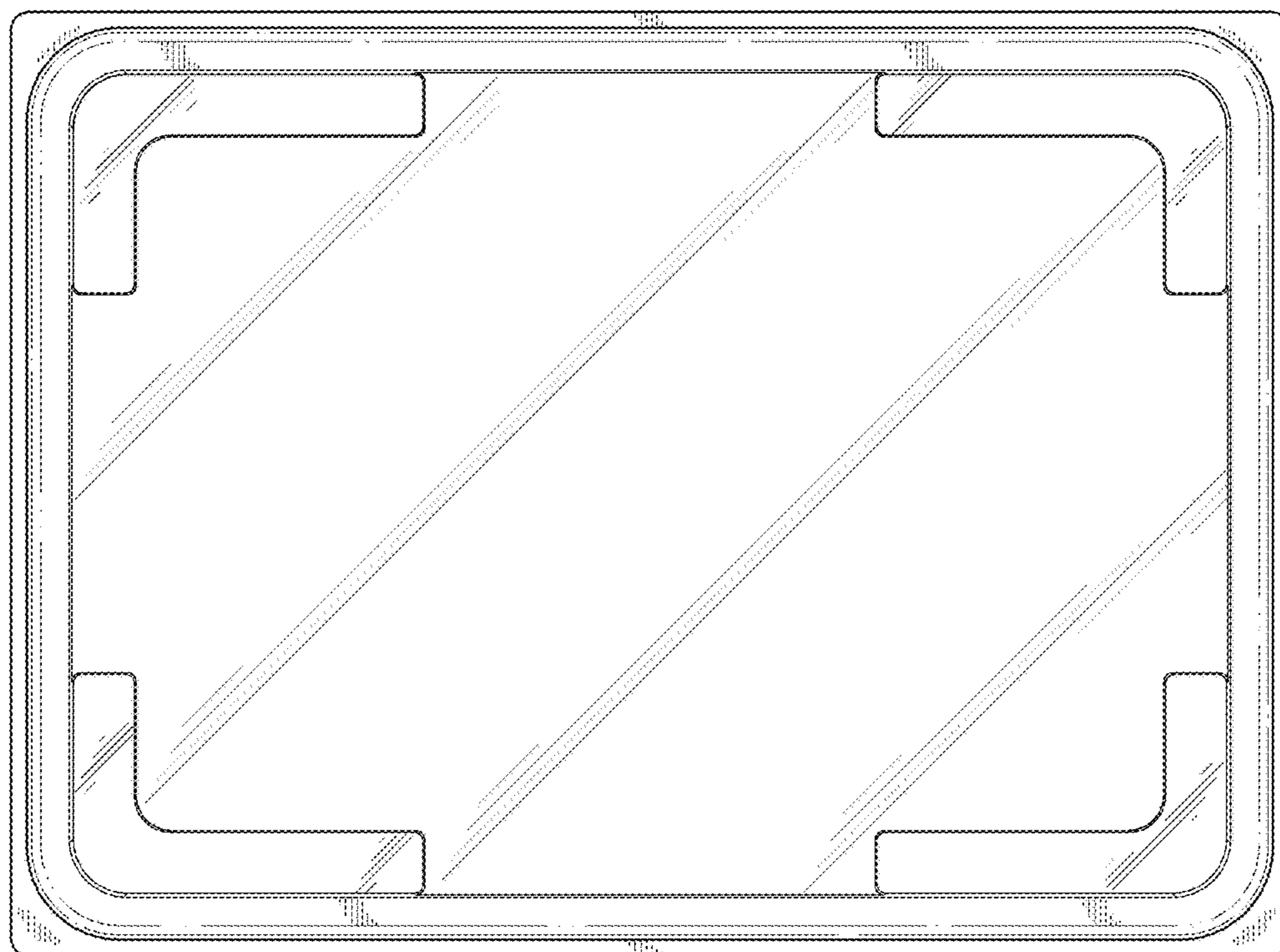


FIG. 15

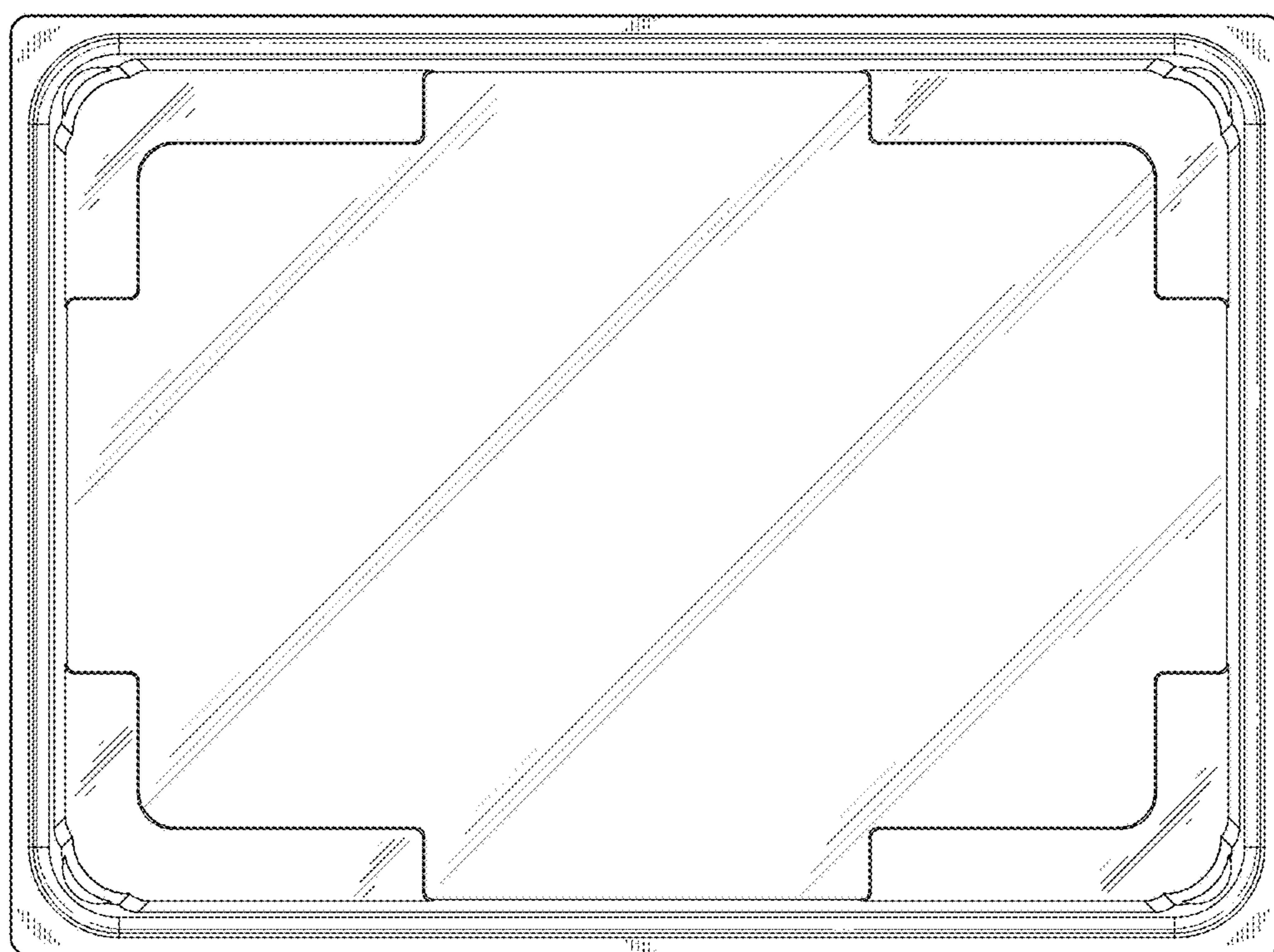


FIG. 16