



US00D852038S

(12) **United States Design Patent** (10) **Patent No.:** **US D852,038 S**
Hirst et al. (45) **Date of Patent:** **** Jun. 25, 2019**

(54) **PACKAGING**

(71) Applicant: **LINPAC Packaging Limited**,
Pontefract, West Yorkshire (GB)
(72) Inventors: **Tom Hirst**, Huddersfield (GB); **James Rowson**, West Yorkshire (GB)
(73) Assignee: **LINPAC PACKAGING LIMITED**,
Featherstone, West Yorkshire (GB)

(**) Term: **15 Years**

(21) Appl. No.: **29/640,844**

(22) Filed: **Mar. 16, 2018**

(30) **Foreign Application Priority Data**

Sep. 29, 2017 (EM) 004378404-0003

(51) **LOC (11) Cl.** **09-03**

(52) **U.S. Cl.**
USPC **D9/425**

(58) **Field of Classification Search**
USPC D7/400, 601, 608; D9/416, 417, 420,
D9/425-429, 430, 432, 761; 206/499,
206/501, 502, 821; 220/625, 656, 669,
220/670, 674; 229/123.1, 123.2, 125.33,
229/125.35, 400-407, 915, 939
CPC . B65D 1/26; B65D 1/40; B65D 5/243; B65D
81/3453; B65D 2581/34; B65D
2581/3404; B65D 2581/3456
See application file for complete search history.

(56) **References Cited**

U.S. PATENT DOCUMENTS

D407,015	S	*	3/1999	Jones	D9/425
D546,632	S	*	7/2007	Oberloier	D7/629
D592,500	S	*	5/2009	Colacitti	D7/354
D614,023	S	*	4/2010	Amos	D9/416
D625,180	S	*	10/2010	Enriquez	D9/425
D769,113	S	*	10/2016	Chen	D9/425
2007/0289963	A1	*	12/2007	Wu	B65D 21/0233 220/4.21
2010/0065461	A1	*	3/2010	Chhay	B65D 21/0222 206/505

* cited by examiner

Primary Examiner — Derrick E Holland

Assistant Examiner — Janice Patyk

(74) *Attorney, Agent, or Firm* — Baker & Hostetler LLP

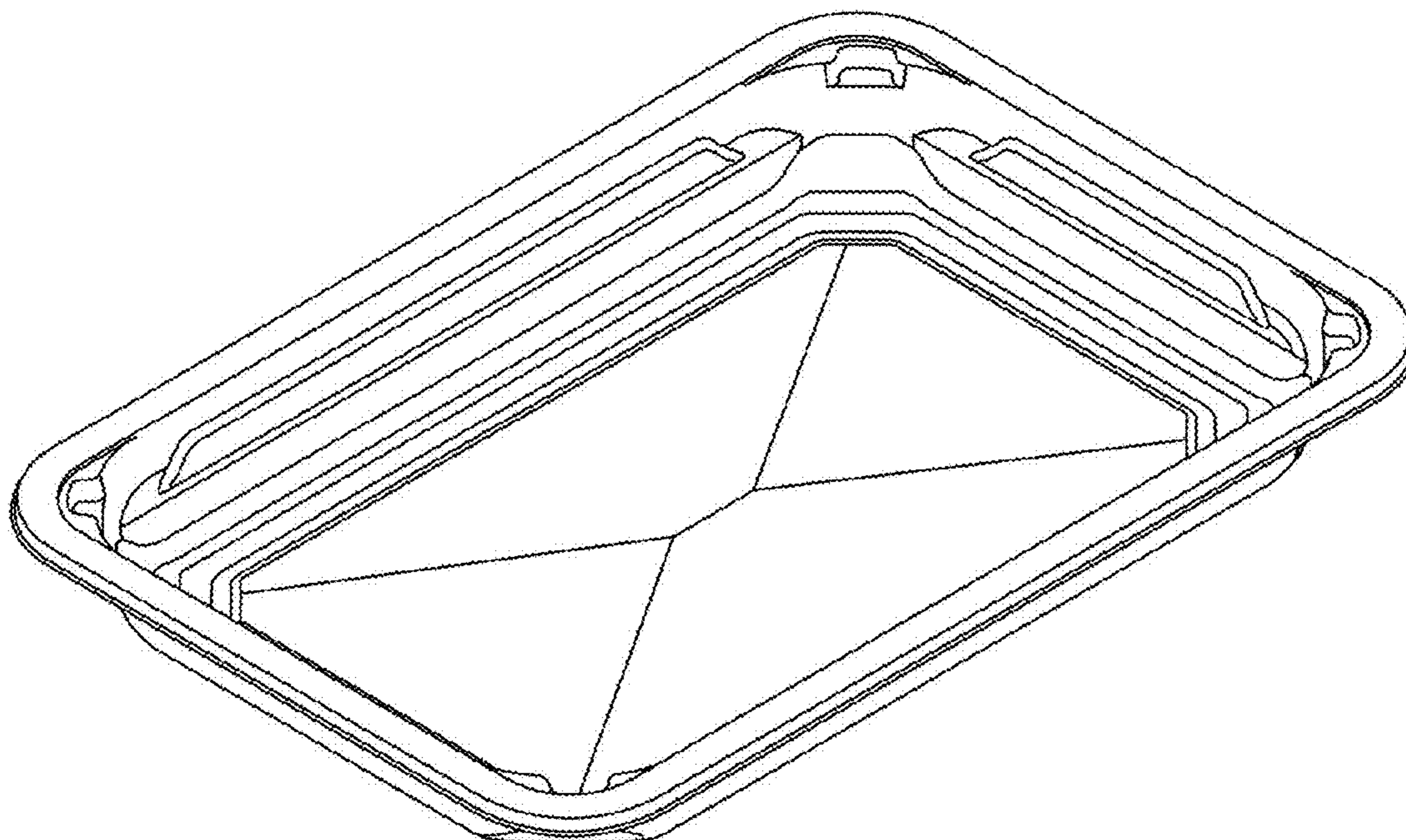
(57) **CLAIM**

The ornamental design for a packaging, as shown and described.

DESCRIPTION

FIG. 1 is a top perspective view of a packaging showing our new design;
FIG. 2 is a top plan view thereof;
FIG. 3 is a bottom plan thereof;
FIG. 4 is a front view thereof;
FIG. 5 is a rear view thereof;
FIG. 6 is a left side view thereof;
FIG. 7 is a right side view thereof; and,
FIG. 8 is a bottom perspective view thereof.

1 Claim, 4 Drawing Sheets



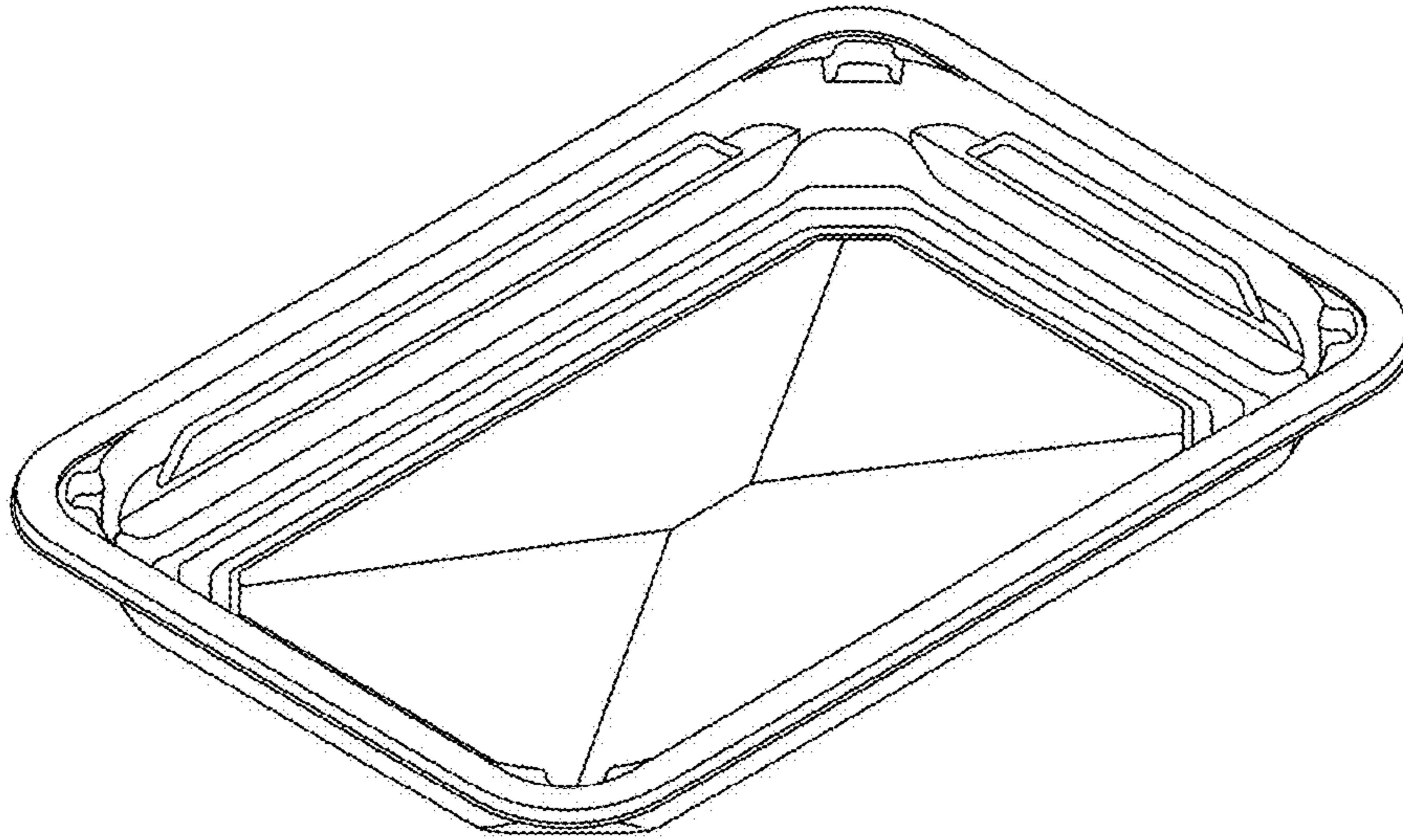


FIG. 1

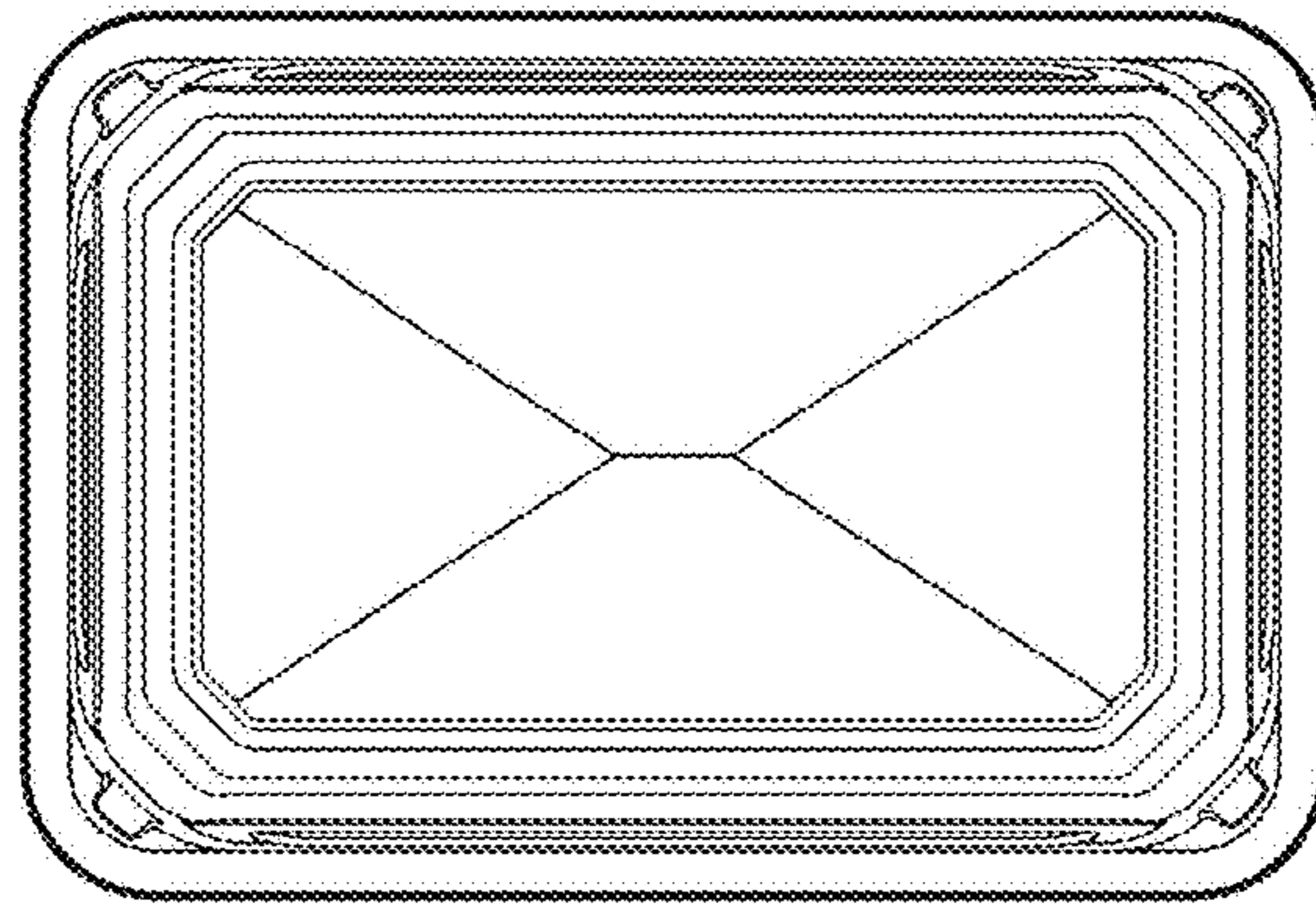


FIG. 2

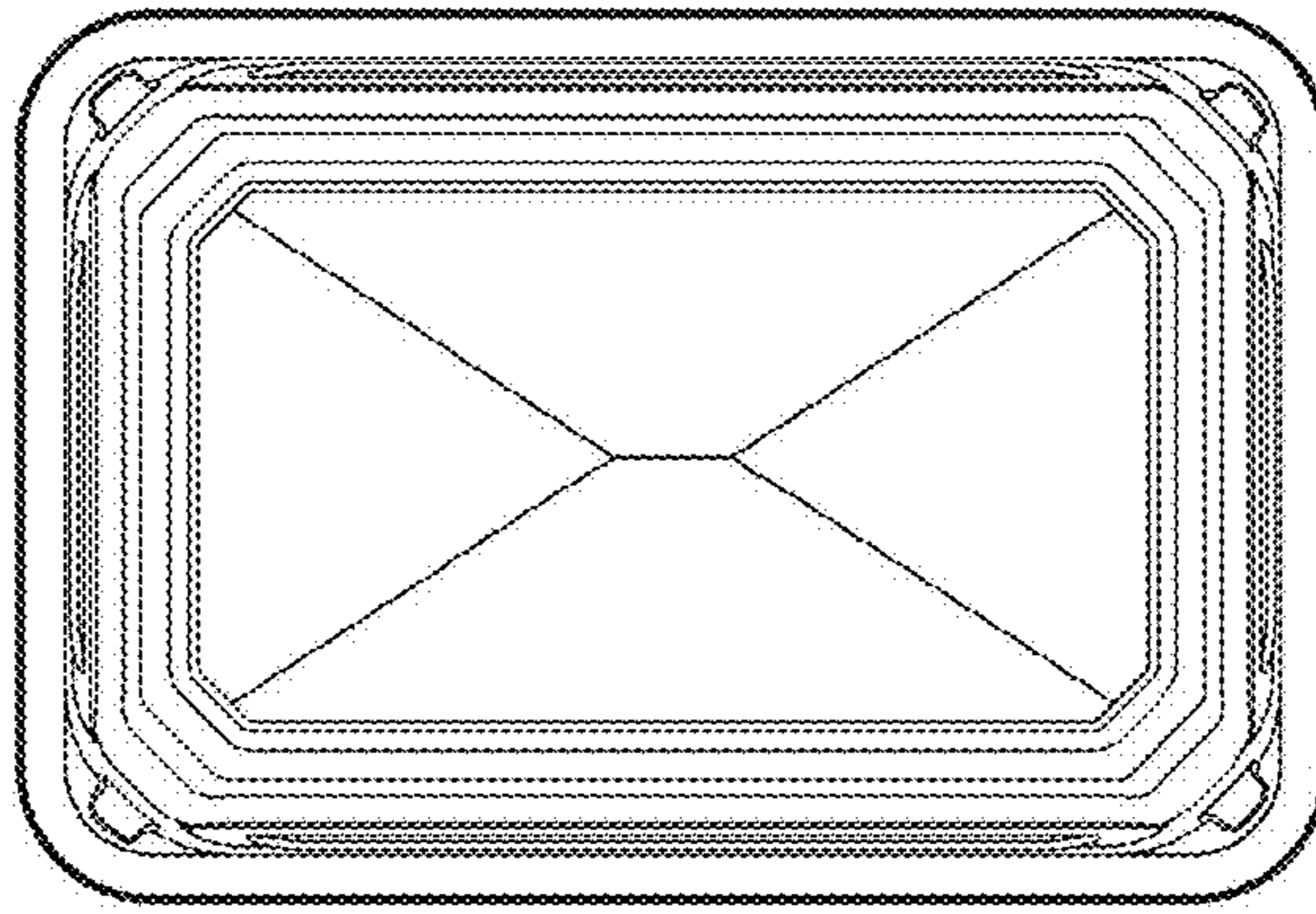


FIG. 3

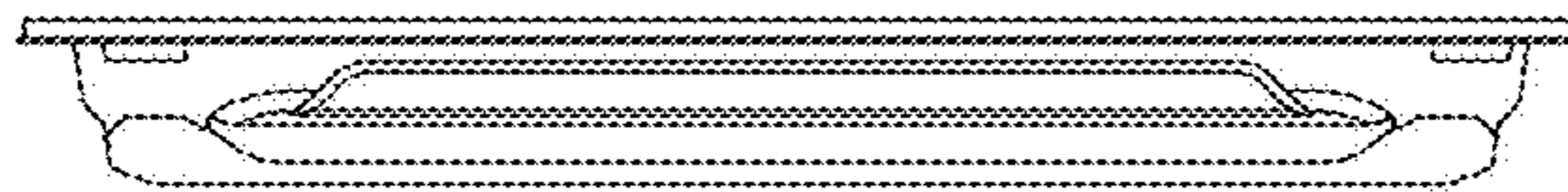


FIG. 4

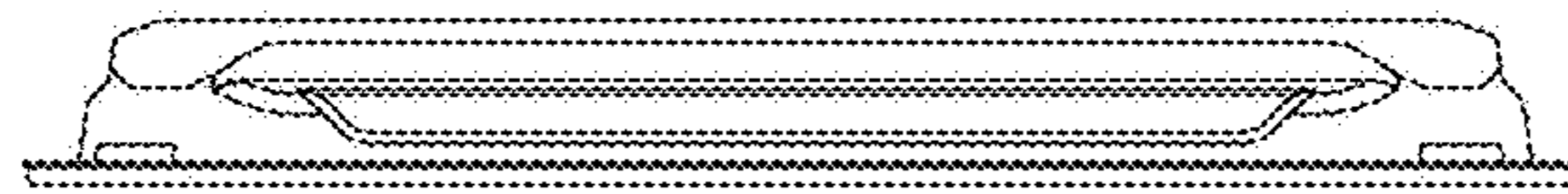


FIG. 5

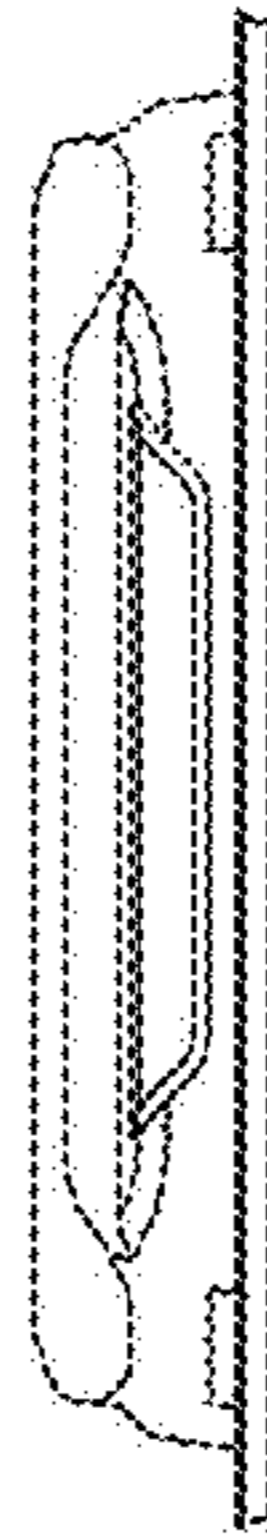


FIG. 6

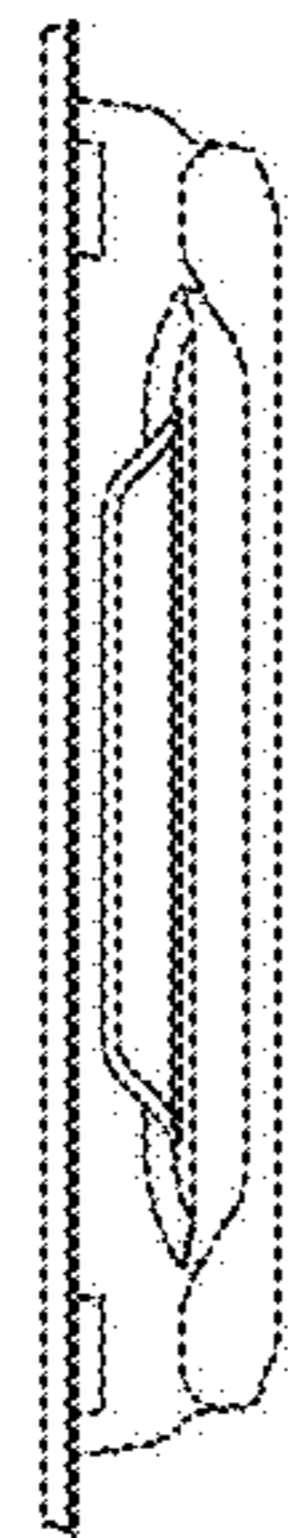


FIG. 7

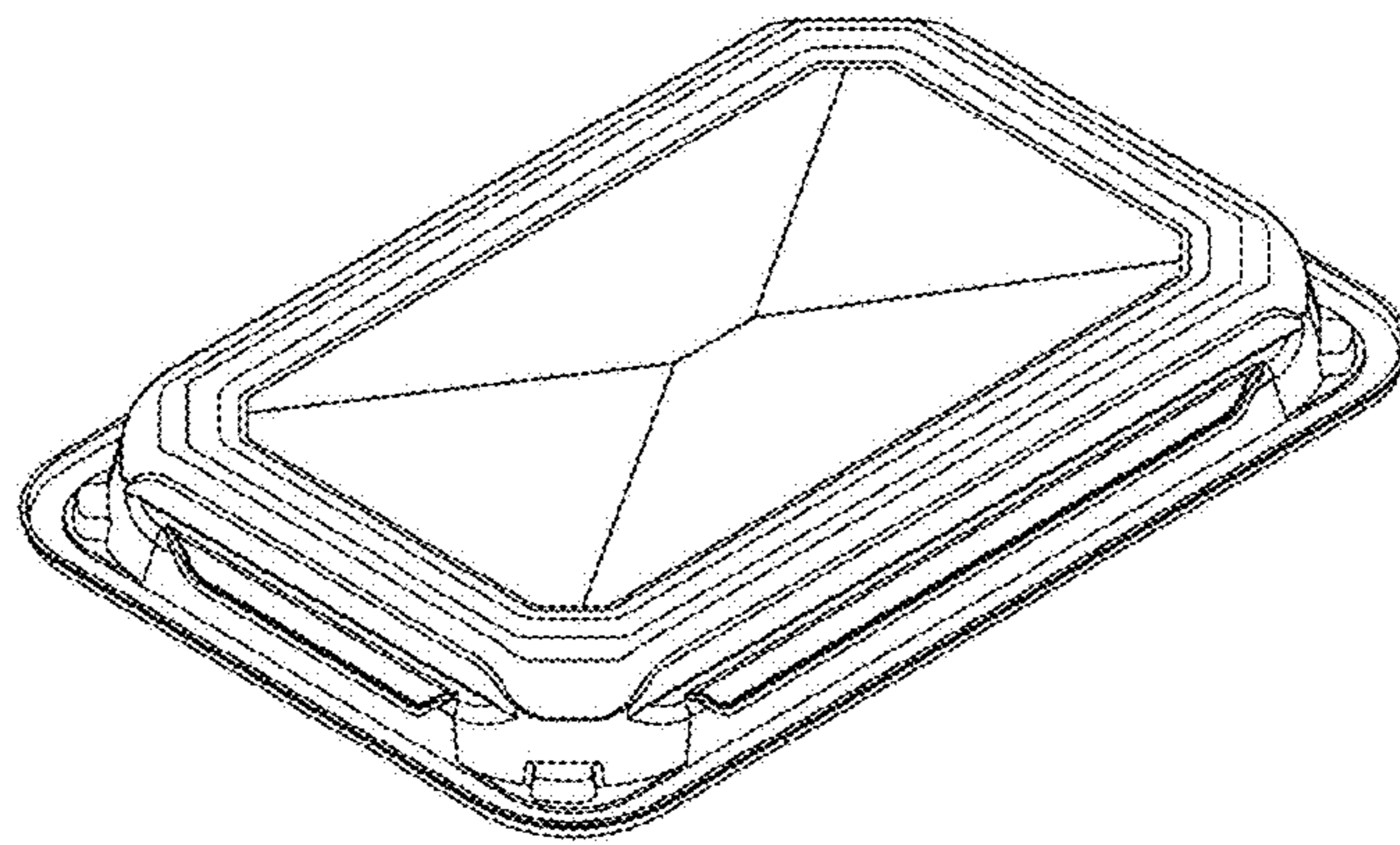


FIG. 8