



US00D852035S

(12) **United States Design Patent**
Grieco

(10) **Patent No.:** **US D852,035 S**

(45) **Date of Patent:** **** Jun. 25, 2019**

- (54) **DISPOSABLE CONTAINER FOR READY-MADE COCKTAIL**
- (71) Applicant: **Cocktail House S.R.L., La Spezia (IT)**
- (72) Inventor: **Alessandro Grieco, Milan (IT)**
- (73) Assignee: **Cocktail House S.R.L., La Spezia (IT)**
- (**) Term: **15 Years**
- (21) Appl. No.: **29/565,590**
- (22) Filed: **May 23, 2016**
- (30) **Foreign Application Priority Data**

May 23, 2016 (EM) 003147578-0001

- (51) **LOC (11) Cl.** **09-03**
- (52) **U.S. Cl.**
USPC **D9/420; D9/418**
- (58) **Field of Classification Search**
USPC D9/420, 423, 734, 415; D3/303;
D6/407; D19/1; 131/242; 222/212, 107,
222/187, 92
CPC B65D 47/04; B65D 75/5894; F41H 9/10;
A45D 34/02; A61M 35/003
See application file for complete search history.

(56) **References Cited**

U.S. PATENT DOCUMENTS

- 1,440,046 A * 12/1922 Ziplinsky B65D 47/04
131/242
- 2,078,326 A * 4/1937 Howett F41H 9/10
222/212
- 3,258,169 A * 6/1966 Paisley B65D 75/5894
222/107
- 3,412,907 A * 11/1968 Faso A45D 34/02
222/187

- 4,127,339 A * 11/1978 Malacheski A61M 35/003
222/92
- D294,124 S * 2/1988 Angerman D9/415
- D345,033 S * 3/1994 Acker D28/83
- D354,221 S * 1/1995 Corella D9/415
- D513,992 S * 1/2006 Boyd D9/414
- D554,530 S * 11/2007 Tsutsumi D9/732
- D596,044 S * 7/2009 Goldman D9/734
- D601,039 S * 9/2009 Duquet D9/732
- D623,520 S * 9/2010 Levy D9/415
- D641,579 S * 7/2011 Wynalda, Jr. D6/407
- D646,964 S * 10/2011 Ampadu D9/420
- D647,395 S * 10/2011 Mitten D9/420
- D654,358 S * 2/2012 Ampadu D9/420
- D655,153 S * 3/2012 Mitten D9/420
- D675,913 S * 2/2013 Hunter D9/420
- D675,914 S * 2/2013 Hunter D9/420
- D682,084 S * 5/2013 Pierre D9/415
- D684,854 S * 6/2013 Hunter D9/423

(Continued)

Primary Examiner — Rhea Shields

(74) *Attorney, Agent, or Firm* — Stetina Brunda Garred & Brucker

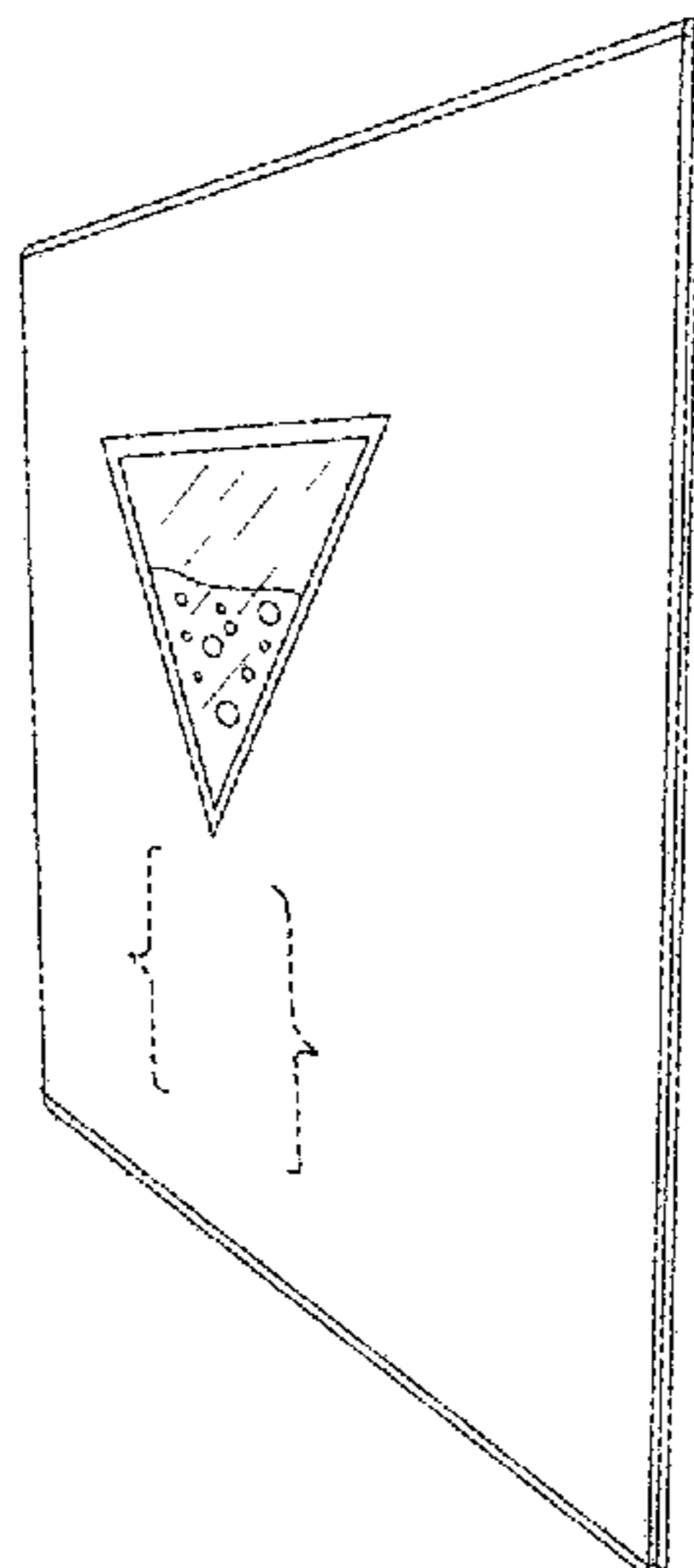
(57) **CLAIM**

The ornamental design for a disposable container for ready-made cocktail, as shown and described.

DESCRIPTION

FIG. 1 is a front perspective view of the disposable container for ready-made cocktail of the present invention showing my new design;
 FIG. 2 is a front elevational view thereof;
 FIG. 3 is a back view thereof;
 FIG. 4 is a right side view thereof;
 FIG. 5 is a left side view thereof;
 FIG. 6 is a top plan view thereof; and,
 FIG. 7 is a bottom plan view thereof.
 The broken lines are for the purpose of illustrating portions of the article that form no part of the claimed design.

1 Claim, 4 Drawing Sheets



(56)

References Cited

U.S. PATENT DOCUMENTS

D685,262 S *	7/2013	Hunter	D9/420
D687,703 S *	8/2013	Hannant	D9/420
D692,237 S *	10/2013	Chang	D3/303
D694,523 S *	12/2013	Chiang	D3/303
D712,751 S *	9/2014	Bechyne	D9/734
D729,058 S *	5/2015	Ishikawa	D9/423
D742,452 S *	11/2015	Paley	D19/1
D747,888 S *	1/2016	Olson	D6/300

* cited by examiner

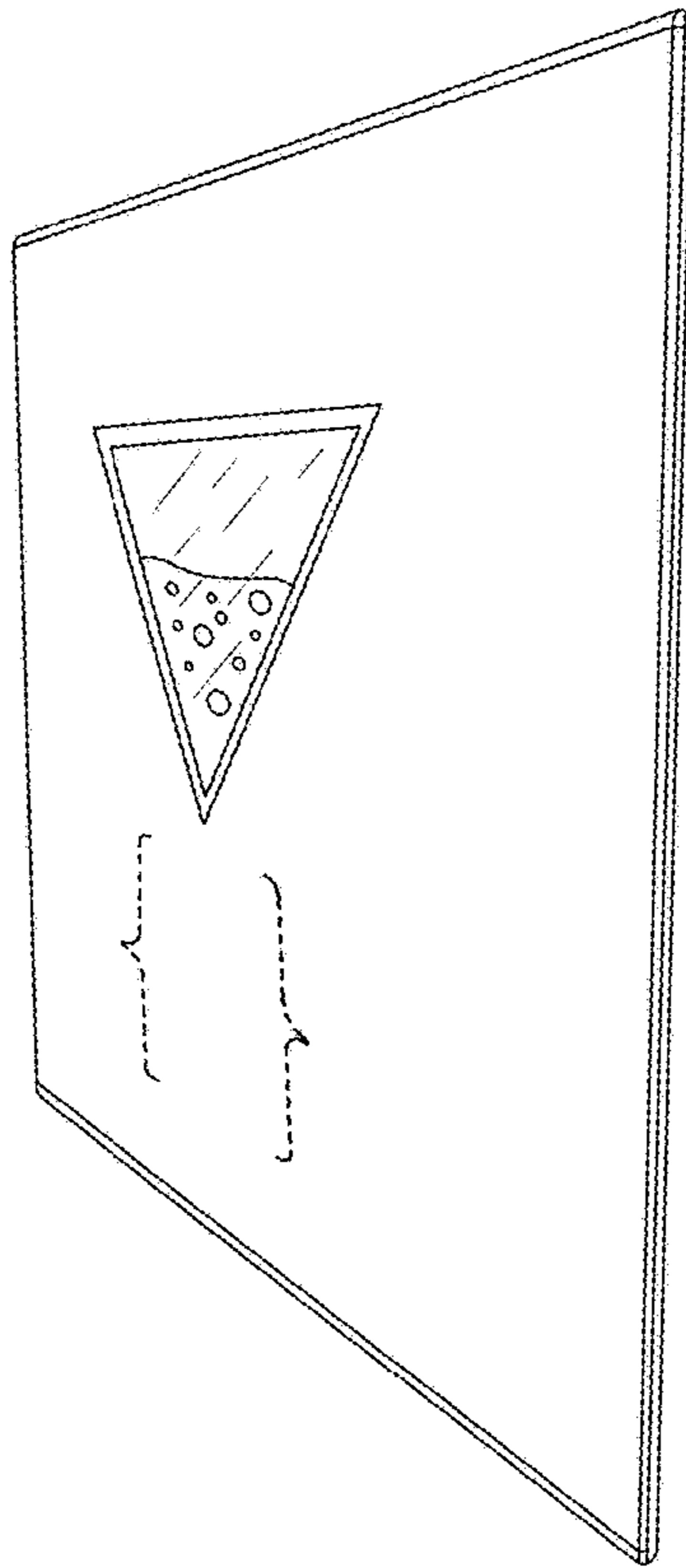


FIG. 1

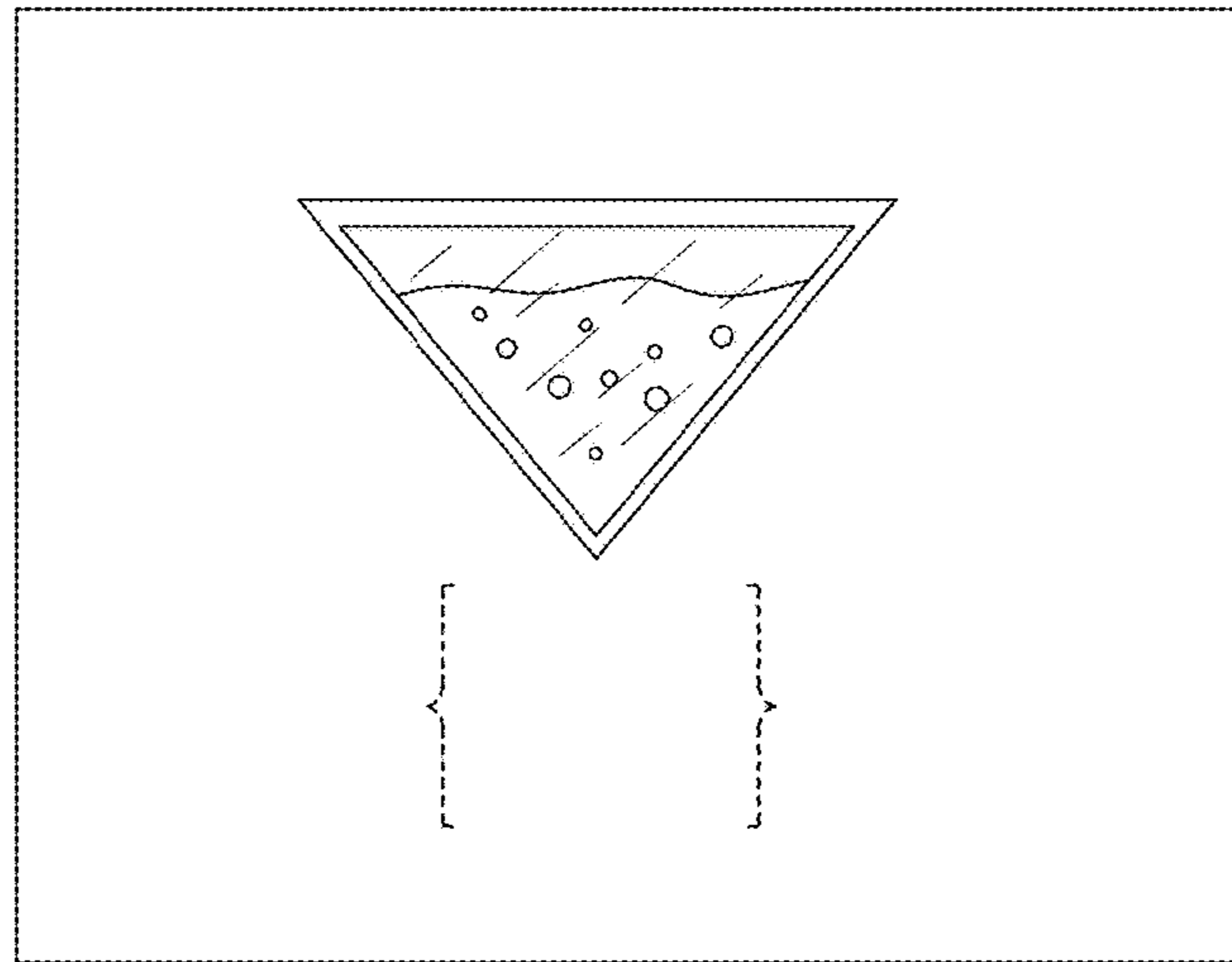


FIG. 2

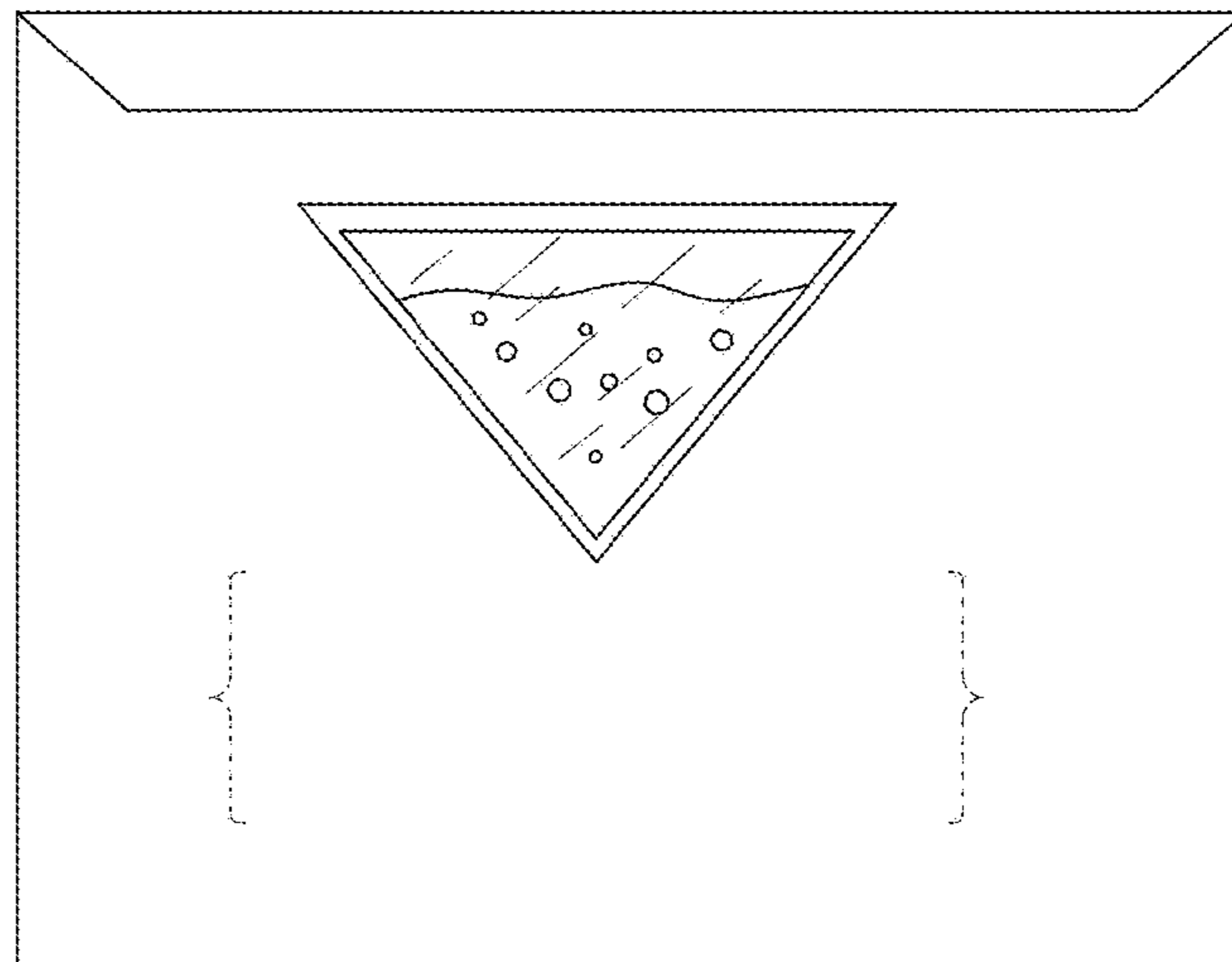


FIG. 3



FIG. 4

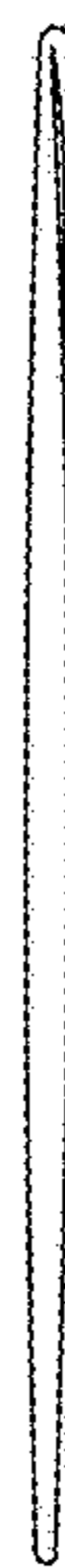


FIG. 5

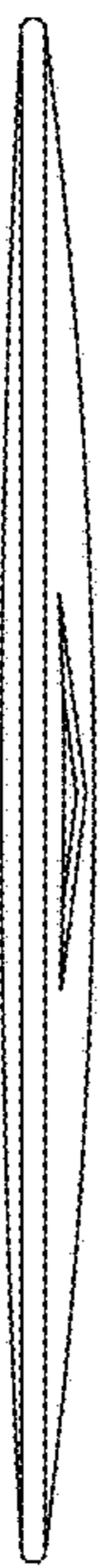


FIG. 6

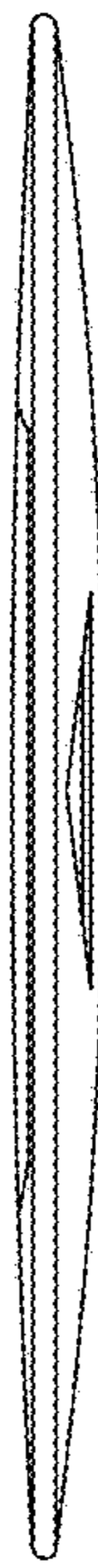


FIG. 7