



US00D852029S

(12) **United States Design Patent**
Imai et al.

(10) **Patent No.:** **US D852,029 S**
(45) **Date of Patent:** **** *Jun. 25, 2019**

(54) **CONNECTING METAL MEMBER FOR A COLUMN END**

(71) Applicant: **Sumitomo Forestry Co., Ltd.**, Tokyo (JP)

(72) Inventors: **Junichi Imai**, Tokyo (JP); **Hiroki Nakashima**, Tokyo (JP); **Takayuki Masuko**, Tokyo (JP)

(73) Assignee: **Sumitomo Forestry Co., Ltd.**, Tokyo (JP)

(*) Notice: This patent is subject to a terminal disclaimer.

(**) Term: **15 Years**

(21) Appl. No.: **29/598,343**

(22) Filed: **Mar. 24, 2017**

(30) **Foreign Application Priority Data**

Sep. 26, 2016 (JP) 2016-020536

(51) **LOC (11) Cl.** **08-08**

(52) **U.S. Cl.**
USPC **D8/382; D8/354**

(58) **Field of Classification Search**
USPC D8/382, 394, 383, 354, 349, 387, 396, D8/399, 367, 71, 72; D25/102, 133, 199, D25/126
CPC ... E04B 1/18; E04B 1/185; E04B 1/24; E04B 2001/2406; E04B 2001/2415; E04B 2001/2463; E04B 1/26; E04B 2001/2644; E04B 2001/2648; E04B 2001/268; E04B 2001/2684; E04B 2001/2692; E04B 1/58; E04B 1/38; E04C 3/36; E04H 9/021
See application file for complete search history.

(56) **References Cited**

U.S. PATENT DOCUMENTS

D270,516 S * 9/1983 Achille D8/354
D279,959 S * 8/1985 Nimmo D8/382

5,065,555 A * 11/1991 Kobori E04B 1/98 248/548
D346,627 S * 5/1994 Bach D21/501
D390,241 S * 2/1998 Mori D15/140
D409,895 S * 5/1999 Schron, Jr. D8/349
D476,555 S * 7/2003 Niwa D6/328
D515,910 S * 2/2006 Gates B60R 9/06 D8/354

(Continued)

FOREIGN PATENT DOCUMENTS

JP 2006307568 A 11/2006
JP 2013204228 A 10/2013
JP 201531129 A 2/2015

Primary Examiner — Sandra S Snapp

Assistant Examiner — Ieisha N Price

(74) *Attorney, Agent, or Firm* — The Webb Law Firm

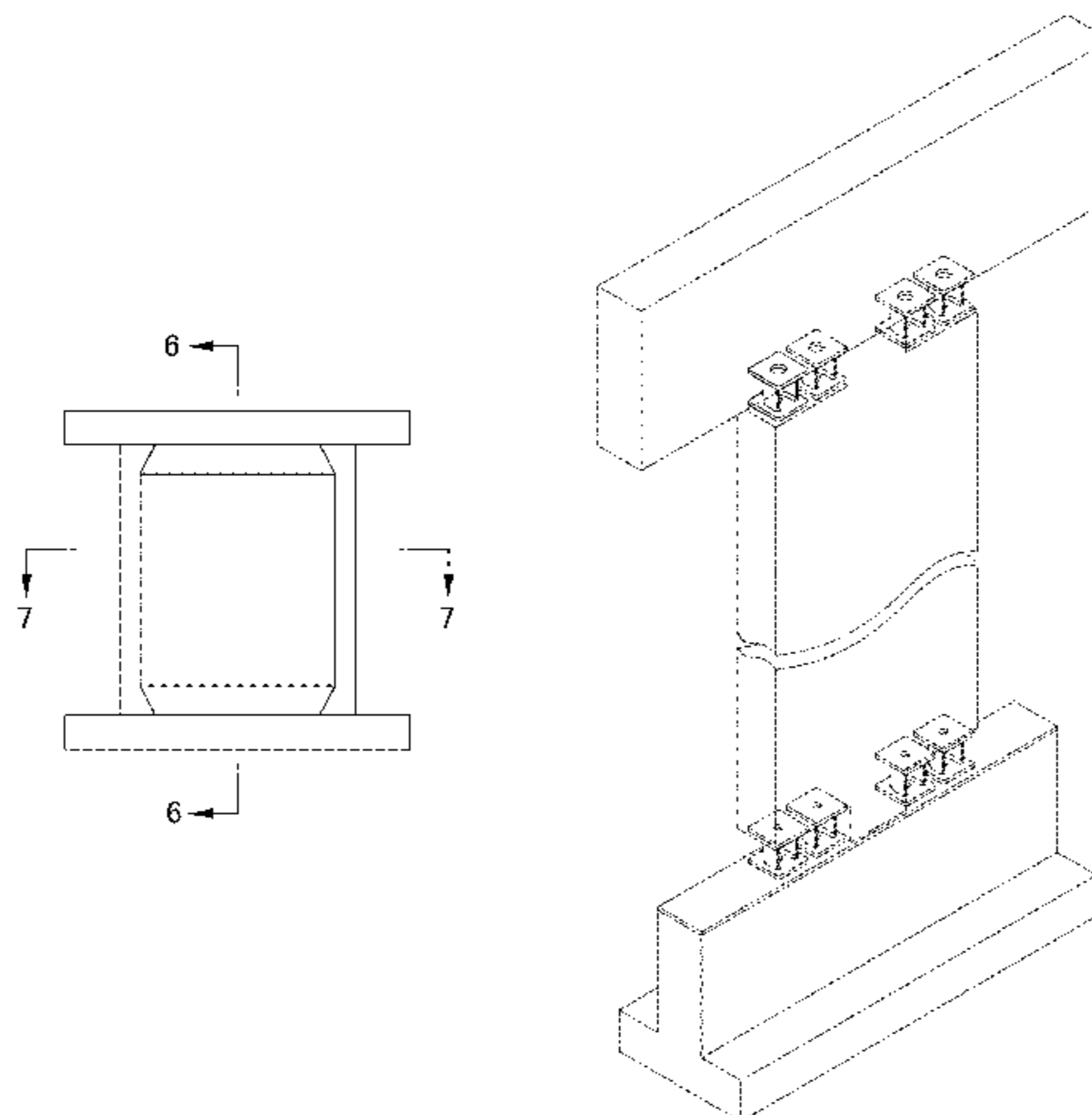
(57) **CLAIM**

The ornamental design for a connecting metal member for a column end, as shown and described.

DESCRIPTION

FIG. 1 is a front elevation view of a connecting metal member for a column end showing our new design; FIG. 2 is a rear elevation view thereof; FIG. 3 is a top view thereof; FIG. 4 is a bottom view thereof; FIG. 5 is a right side elevation view thereof; FIG. 6 is a cross-sectional view thereof taken along lines 6-6 shown in FIG. 1; FIG. 7 is a cross-sectional view thereof taken along lines 7-7 shown in FIG. 1; and, FIG. 8 is a perspective view thereof in a condition of use. The broken lines shown in FIG. 8 are for the purpose of illustrating environmental structure and form no part of the claimed design.

1 Claim, 8 Drawing Sheets



(56)

References Cited

U.S. PATENT DOCUMENTS

D534,791 S * 1/2007 Fujiwara D8/382
D557,796 S * 12/2007 Esjunin D23/422
D570,198 S * 6/2008 Mamula D8/354
D628,057 S * 11/2010 Benne D8/380
D628,539 S * 12/2010 Tezak D13/152
D658,977 S * 5/2012 Riddell D8/394
D742,210 S * 11/2015 Carrubba D8/382
9,249,817 B2 2/2016 Imai et al.
D754,522 S * 4/2016 Wicken D8/349
D782,292 S * 3/2017 Wessel D8/382
D809,909 S * 2/2018 Neoh D8/395
D811,209 S * 2/2018 Tincher D8/399
2001/0005961 A1 * 7/2001 Fukuta B65G 1/02
52/167.3
2006/0144008 A1 * 7/2006 Fouch E04B 1/26
52/292
2012/0038091 A1 * 2/2012 Tagawa E04H 9/021
267/136
2014/0191104 A1 * 7/2014 Meisel E04H 9/021
248/624
2015/0043966 A1 2/2015 Nagashima et al.
2016/0258161 A1 * 9/2016 Imai E04B 1/38
2017/0183861 A1 * 6/2017 Calderon Uriszar-Aldaca
E04B 1/215

* cited by examiner

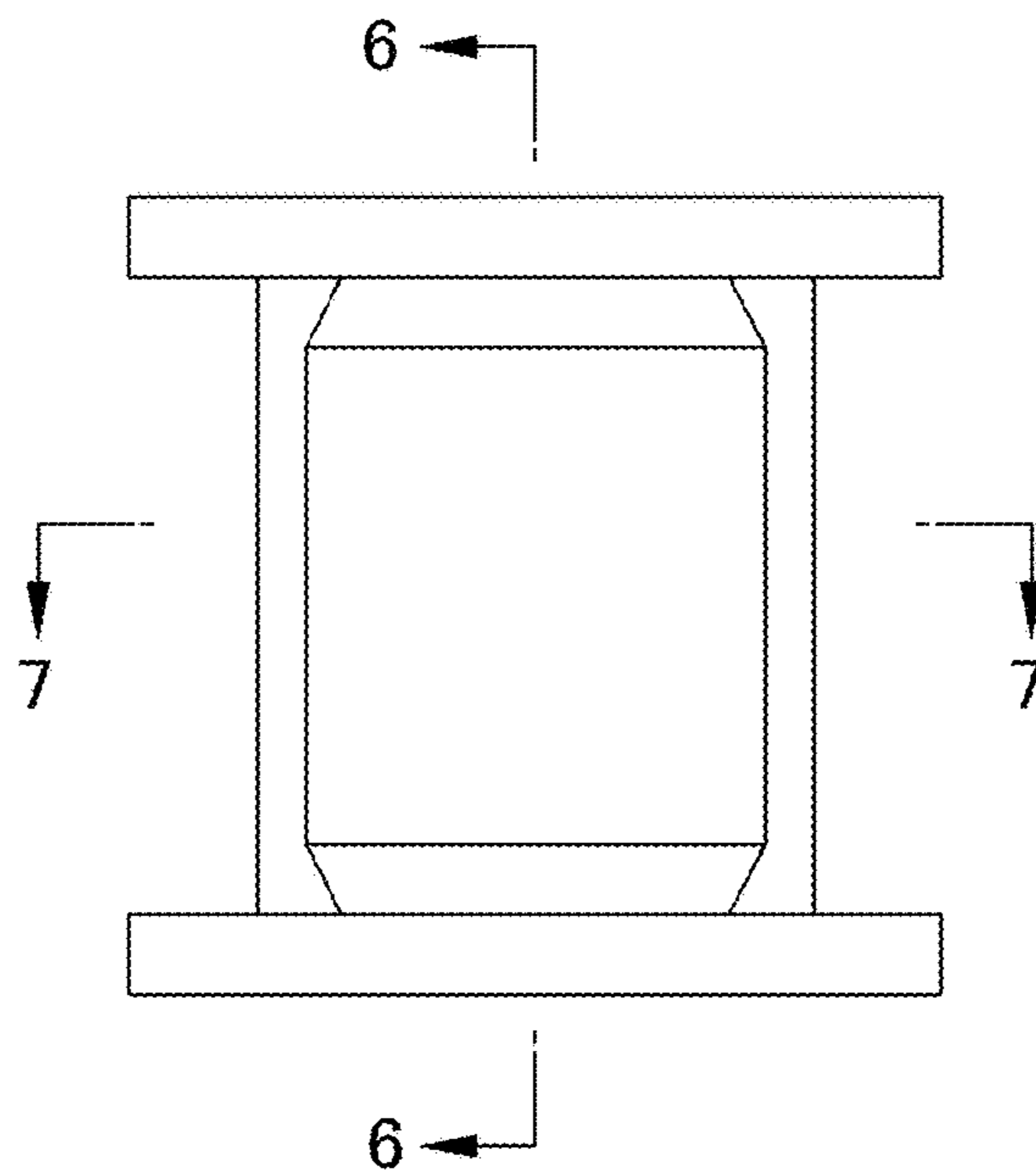


FIG. 1

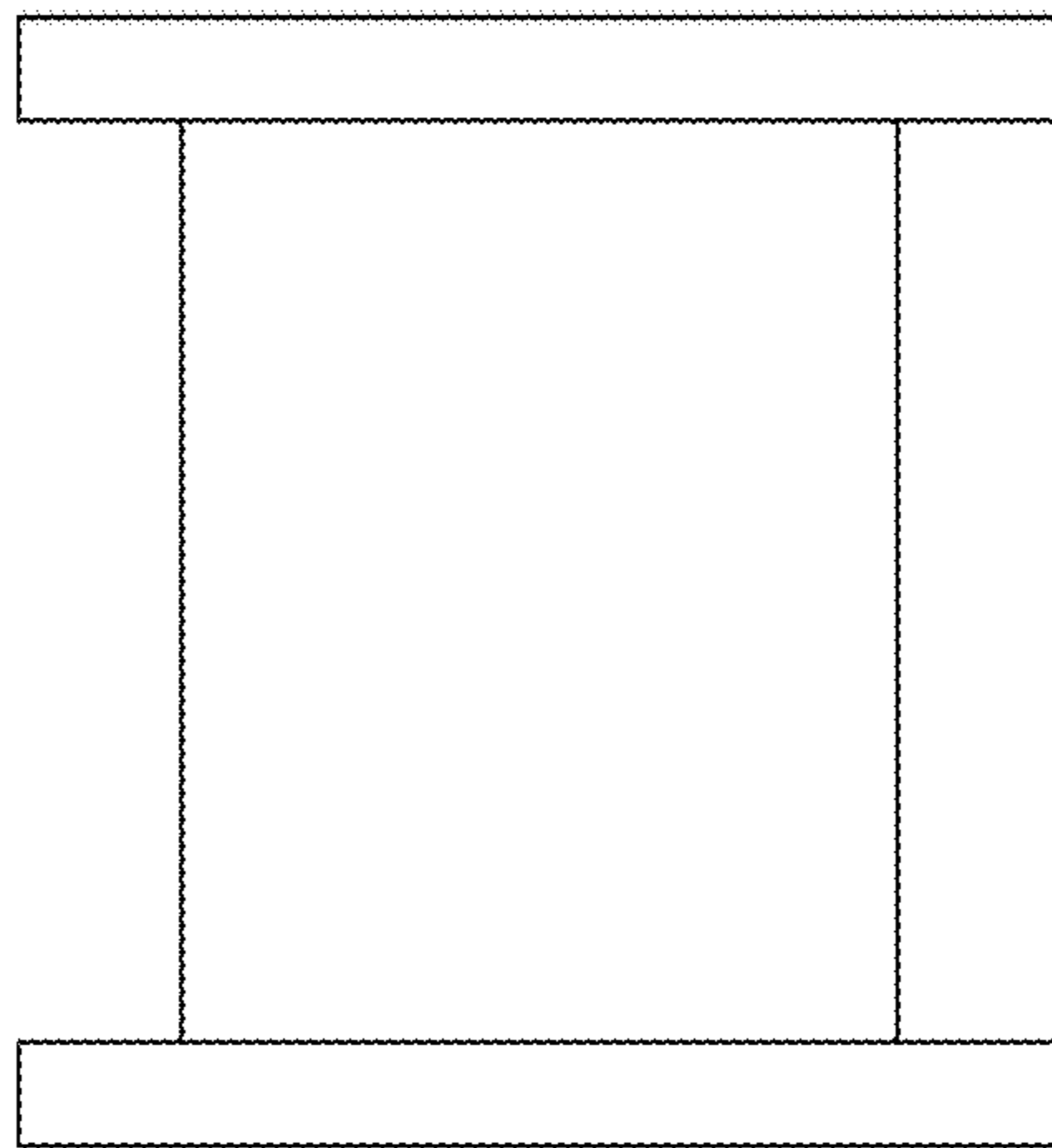


FIG. 2

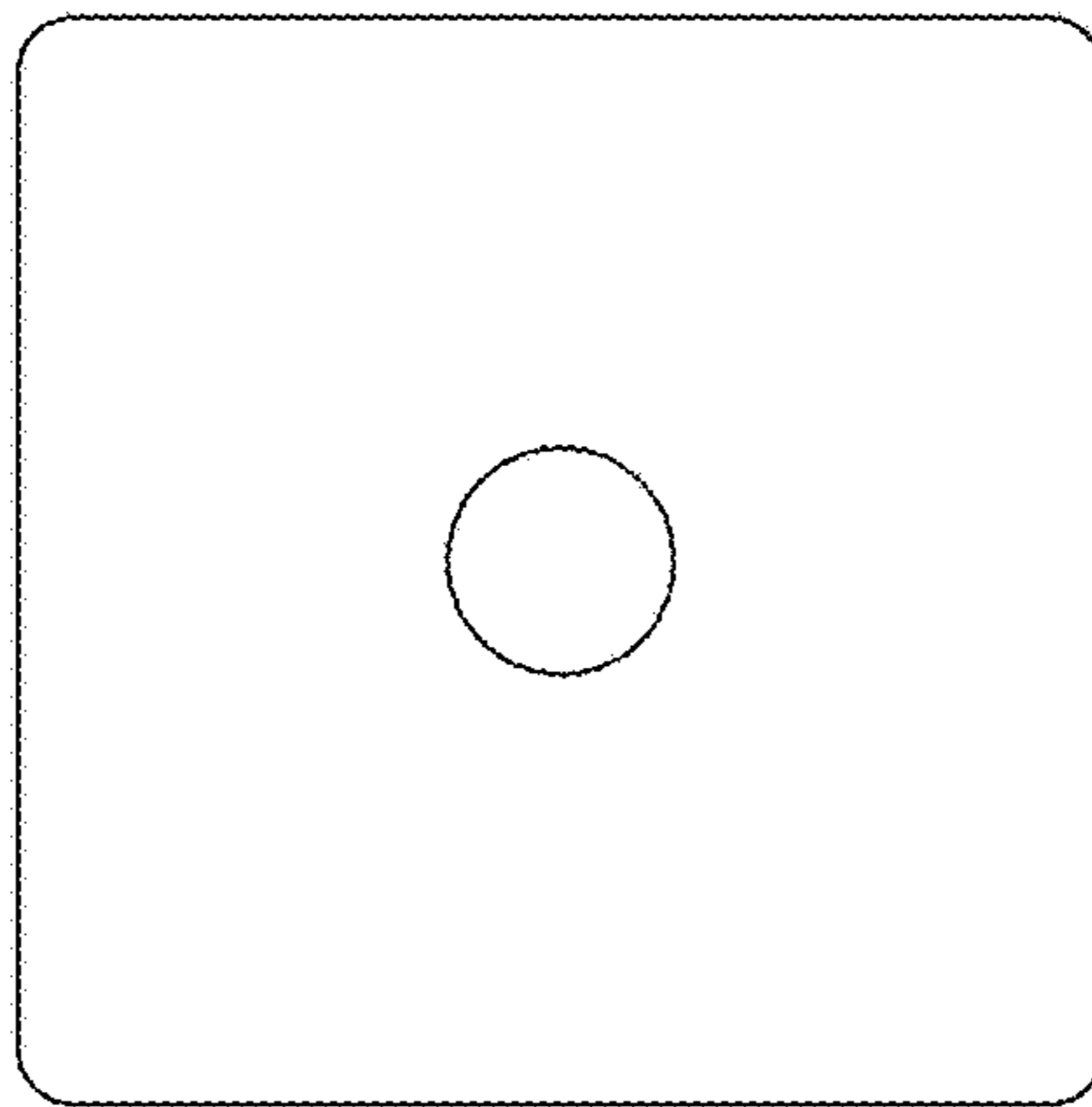


FIG. 3

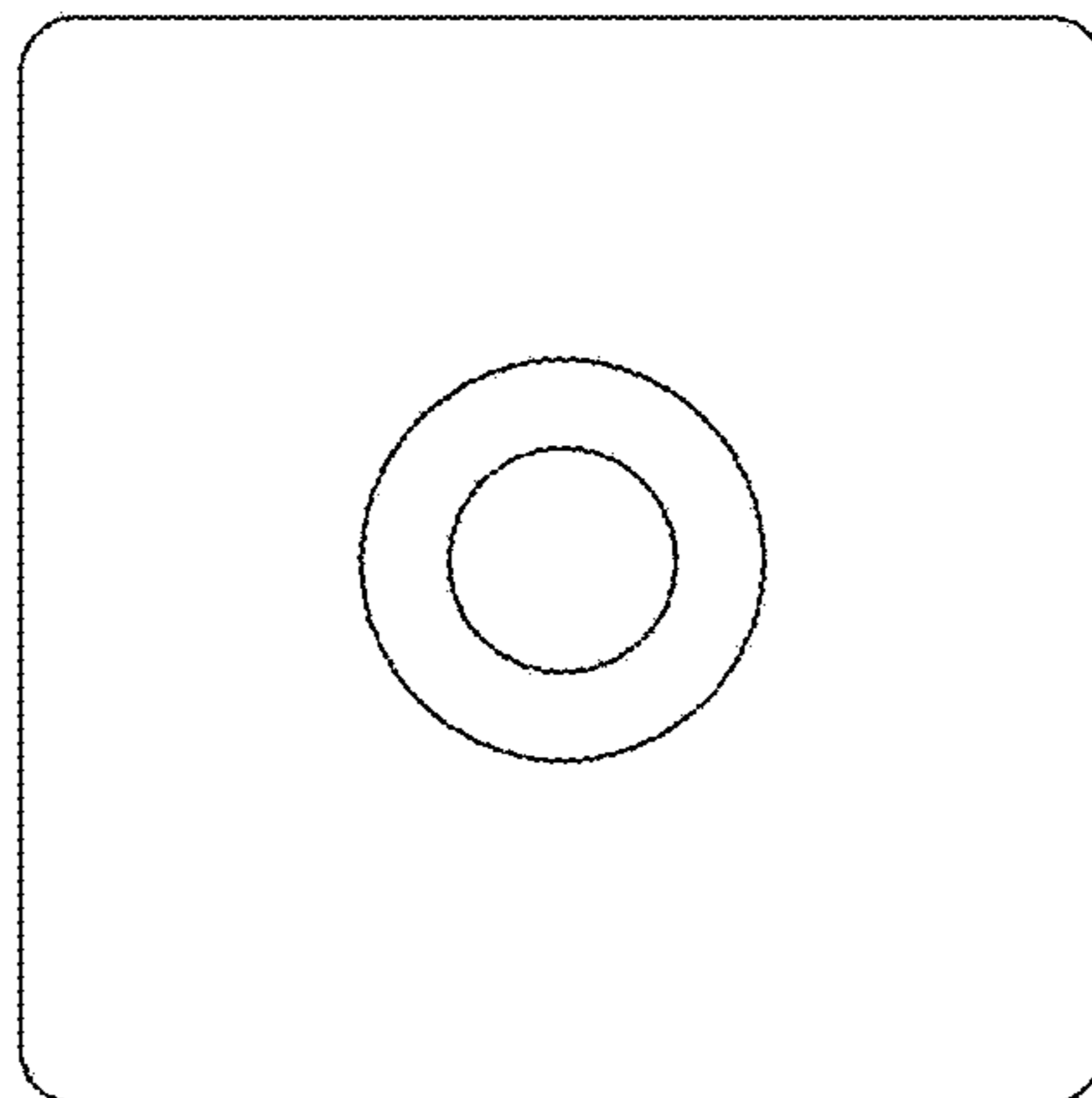


FIG. 4

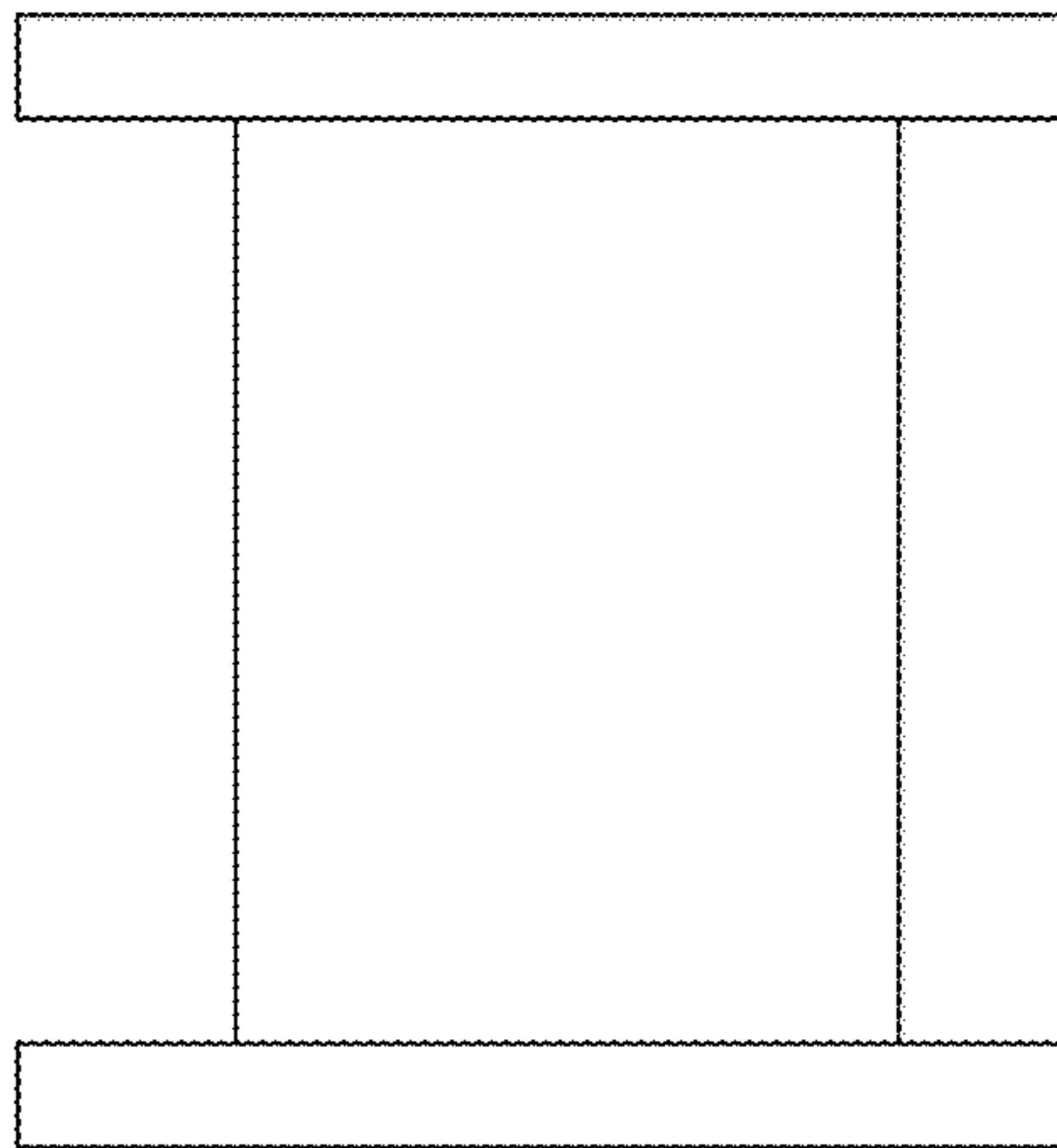


FIG. 5

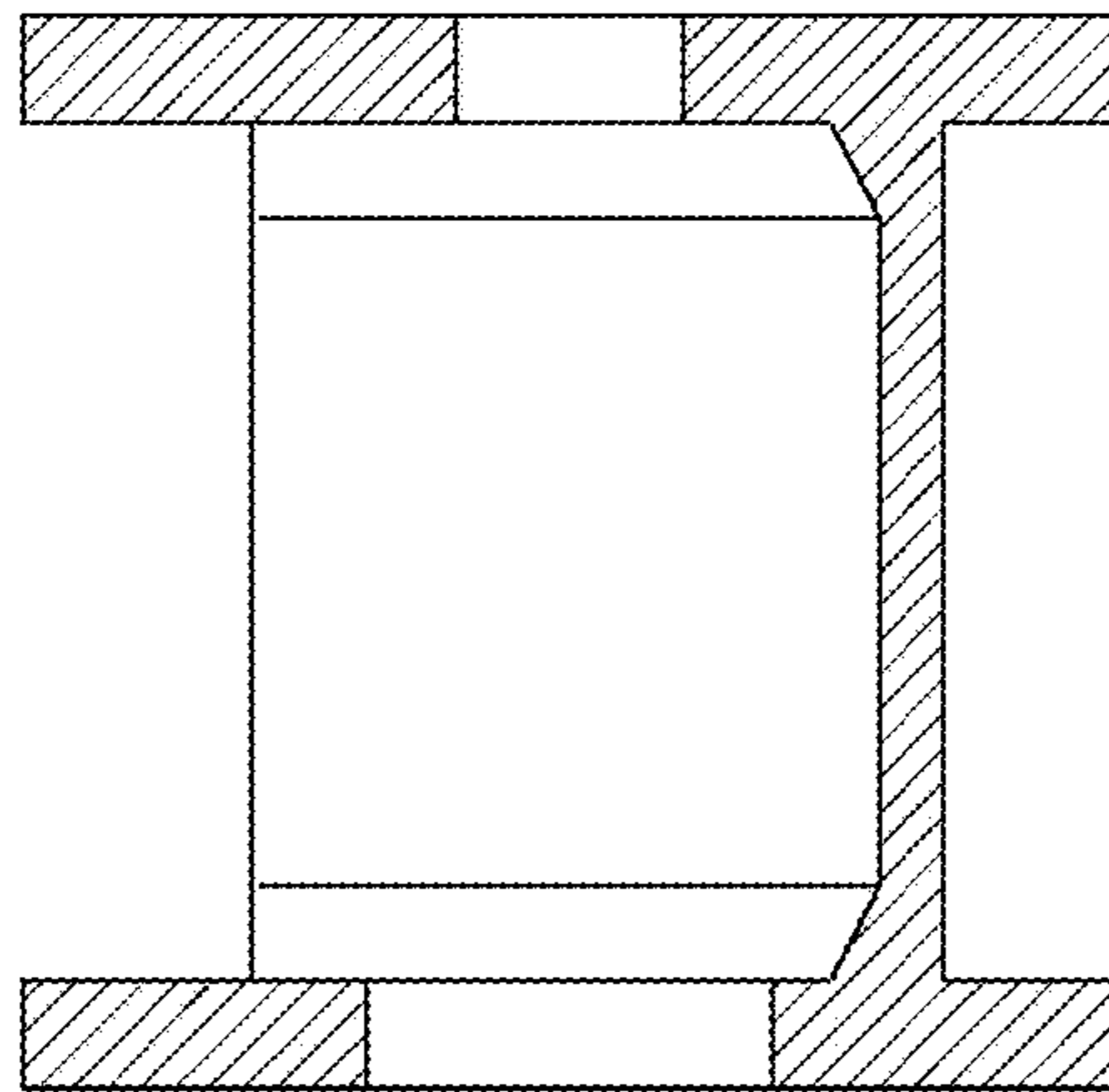


FIG. 6

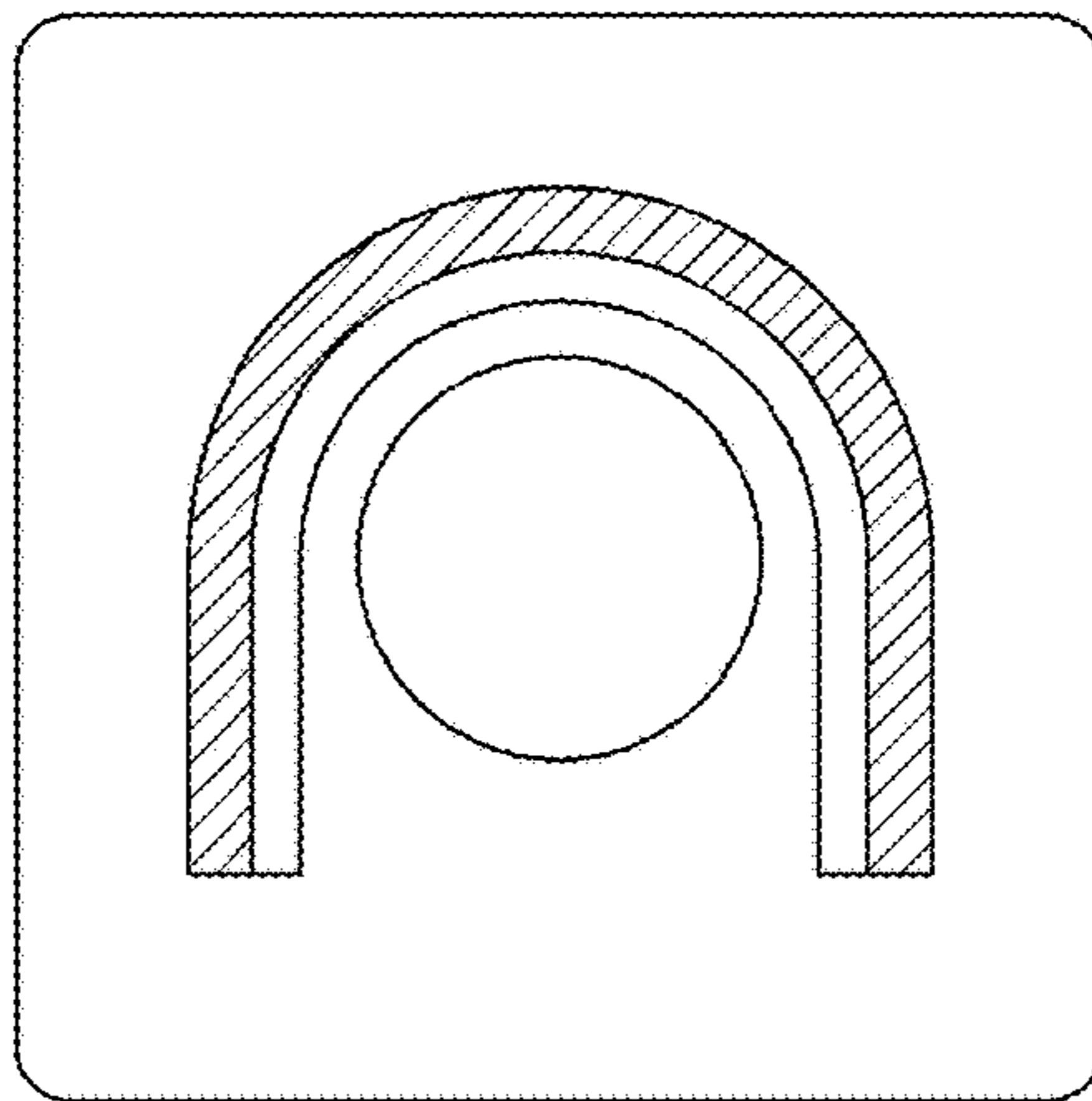


FIG. 7

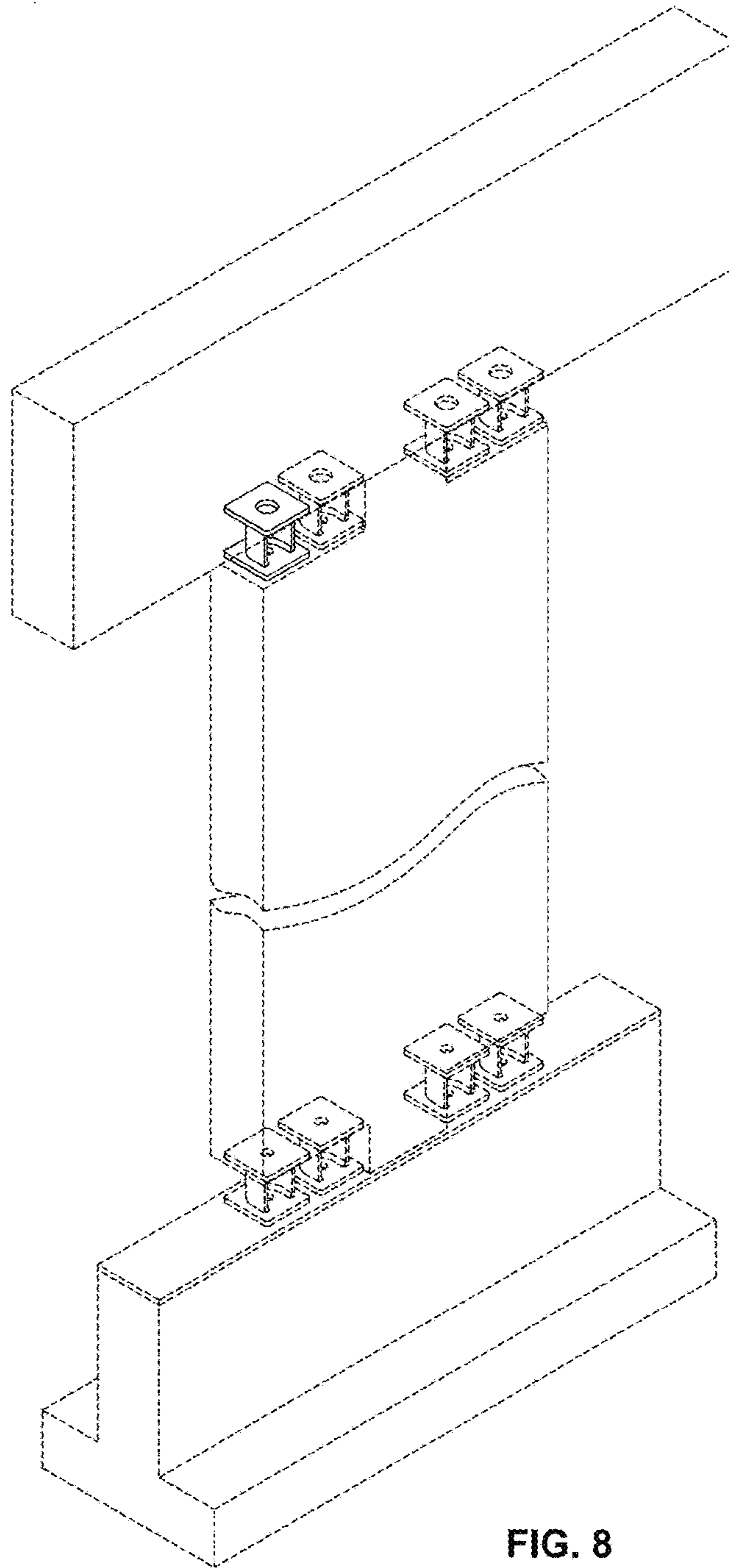


FIG. 8