



US00D852028S

(12) **United States Design Patent**
Kirby

(10) **Patent No.:** **US D852,028 S**

(45) **Date of Patent:** **** Jun. 25, 2019**

(54) **TACK HOOK**

(71) Applicant: **Michael O. Kirby**, Williston, FL (US)

(72) Inventor: **Michael O. Kirby**, Williston, FL (US)

(**) Term: **15 Years**

(21) Appl. No.: **29/651,074**

(22) Filed: **Dec. 1, 2017**

(51) **LOC (11) Cl.** **08-05**

(52) **U.S. Cl.**
USPC **D8/370; D8/372**

(58) **Field of Classification Search**
USPC D8/367, 370, 372, 373; D30/199
CPC B68C 1/002; B68B 9/00
See application file for complete search history.

(56) **References Cited**

U.S. PATENT DOCUMENTS

D371,594 S * 7/1996 Drapak D22/144
D431,087 S * 9/2000 Dolan D26/142
D609,304 S * 2/2010 Hatfield A01K 83/00
D22/144

D616,060 S * 5/2010 Patrick D22/144
7,770,741 B2 * 8/2010 Oliver B68B 9/00
211/181.1
D636,456 S * 4/2011 Hatfield D22/144
D636,457 S * 4/2011 Hatfield D22/144
D682,077 S * 5/2013 Haslam D8/372
D776,233 S * 1/2017 Donnelly D22/144

* cited by examiner

Primary Examiner — Philip S Hyder

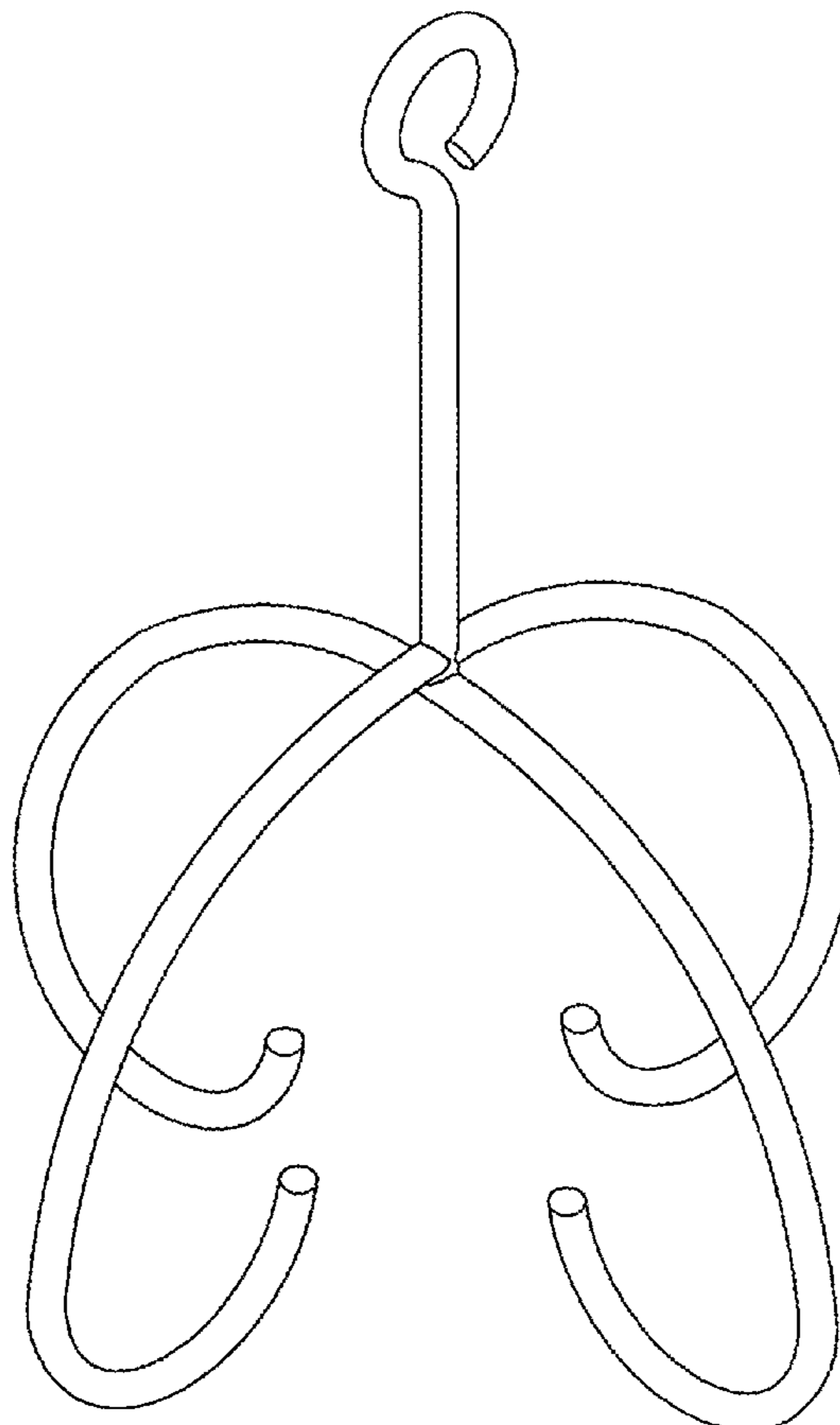
(57) **CLAIM**

The ornamental design for a tack hook, as shown and described.

DESCRIPTION

FIG. 1 is a right perspective view of a tack hook;
FIG. 2 is a left perspective view of a tack hook;
FIG. 3 is a front view of a tack hook;
FIG. 4 is a right side view of a tack hook;
FIG. 5 is a rear view of a tack hook;
FIG. 6 is a left view of a tack hook;
FIG. 7 is a top view of a tack hook; and,
FIG. 8 is a bottom view of a tack hook.

1 Claim, 5 Drawing Sheets



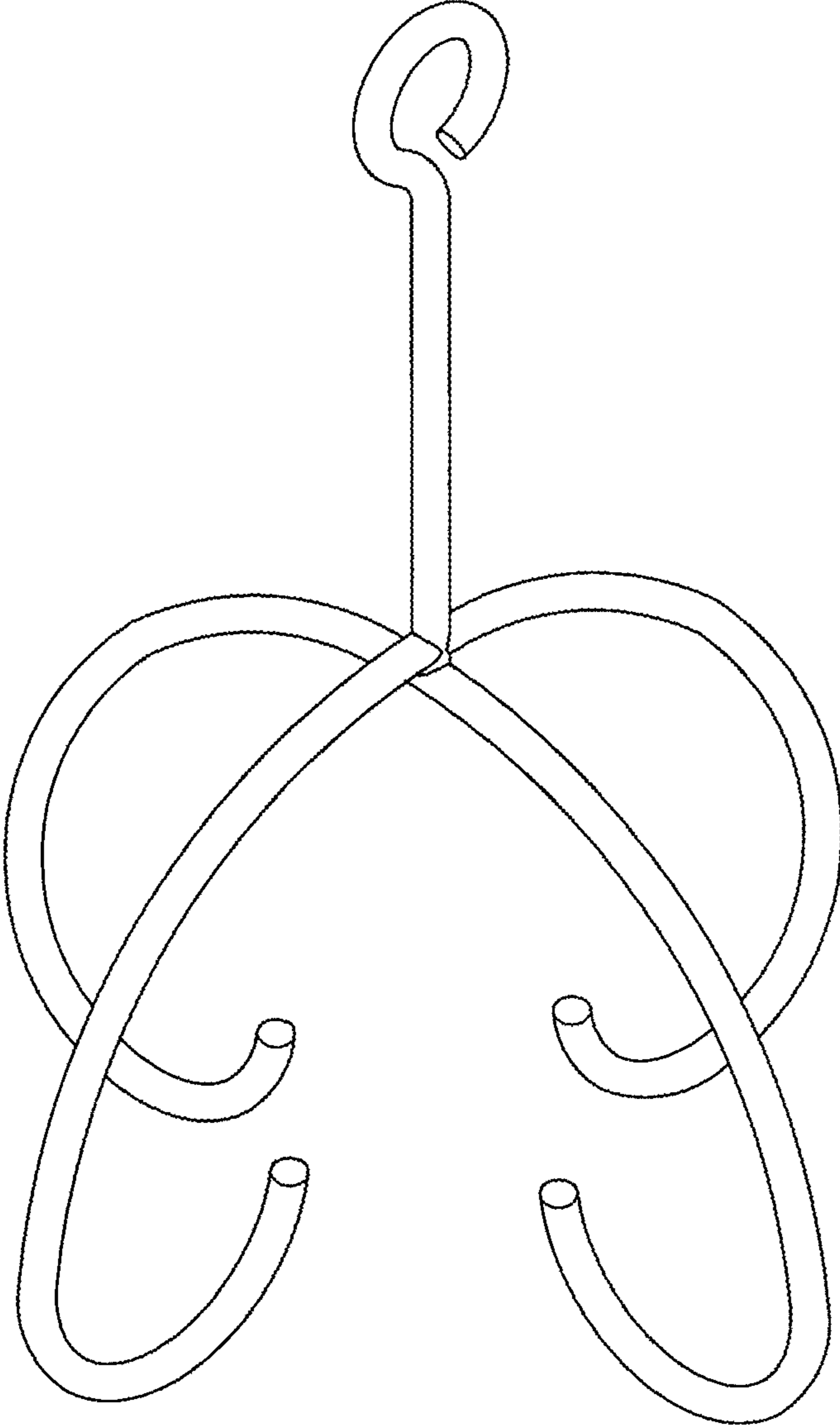


Fig. 1

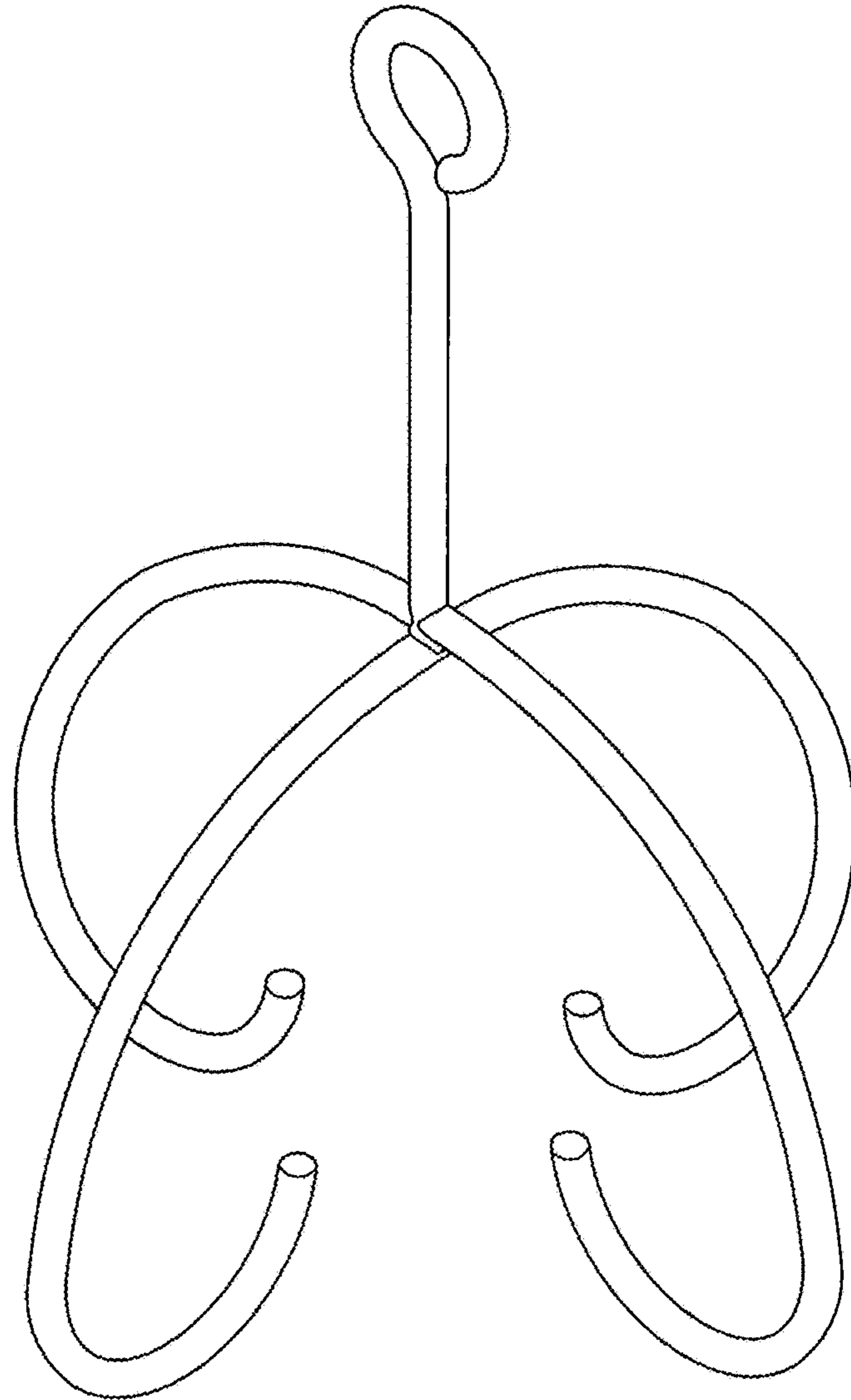


Fig. 2

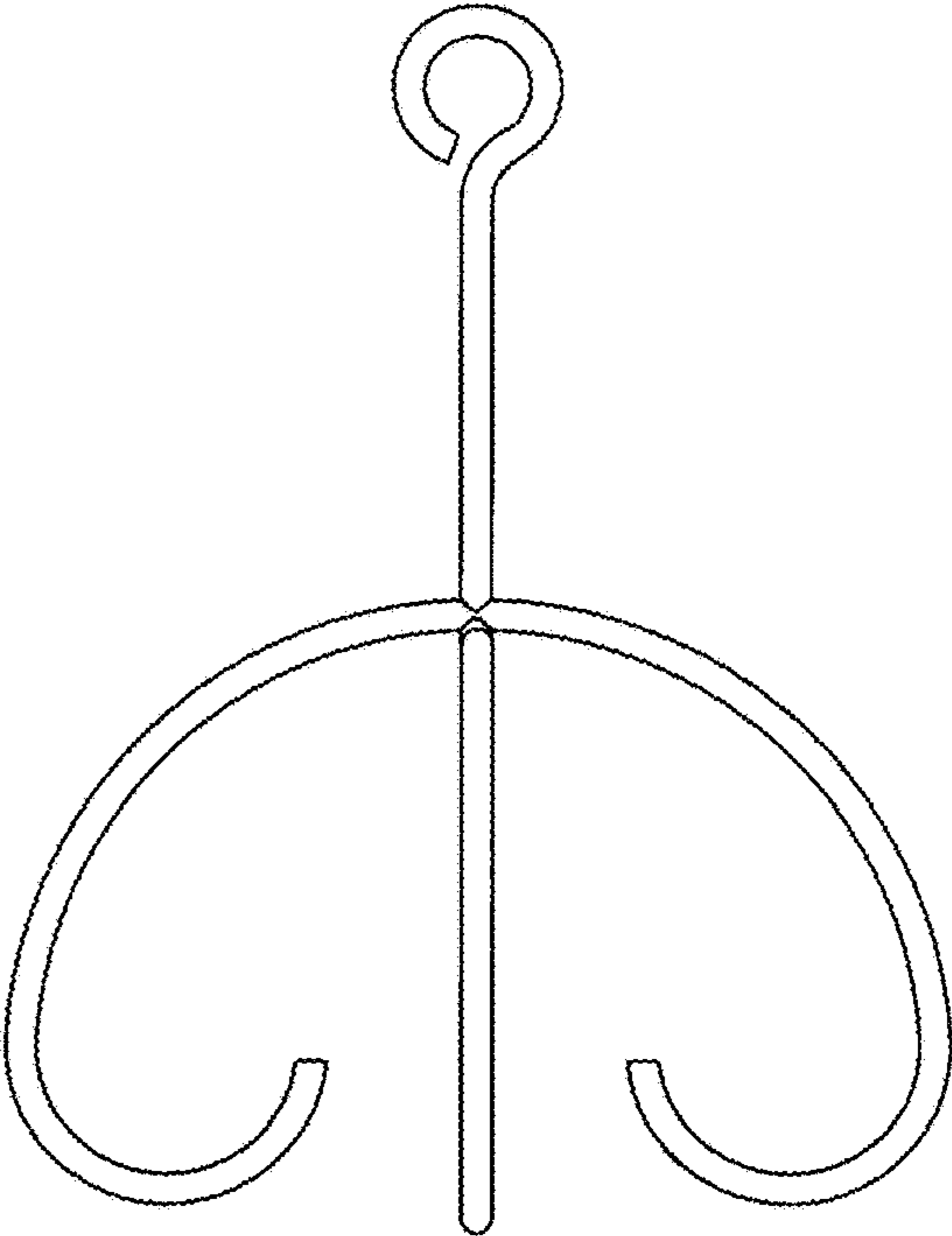


Fig. 3

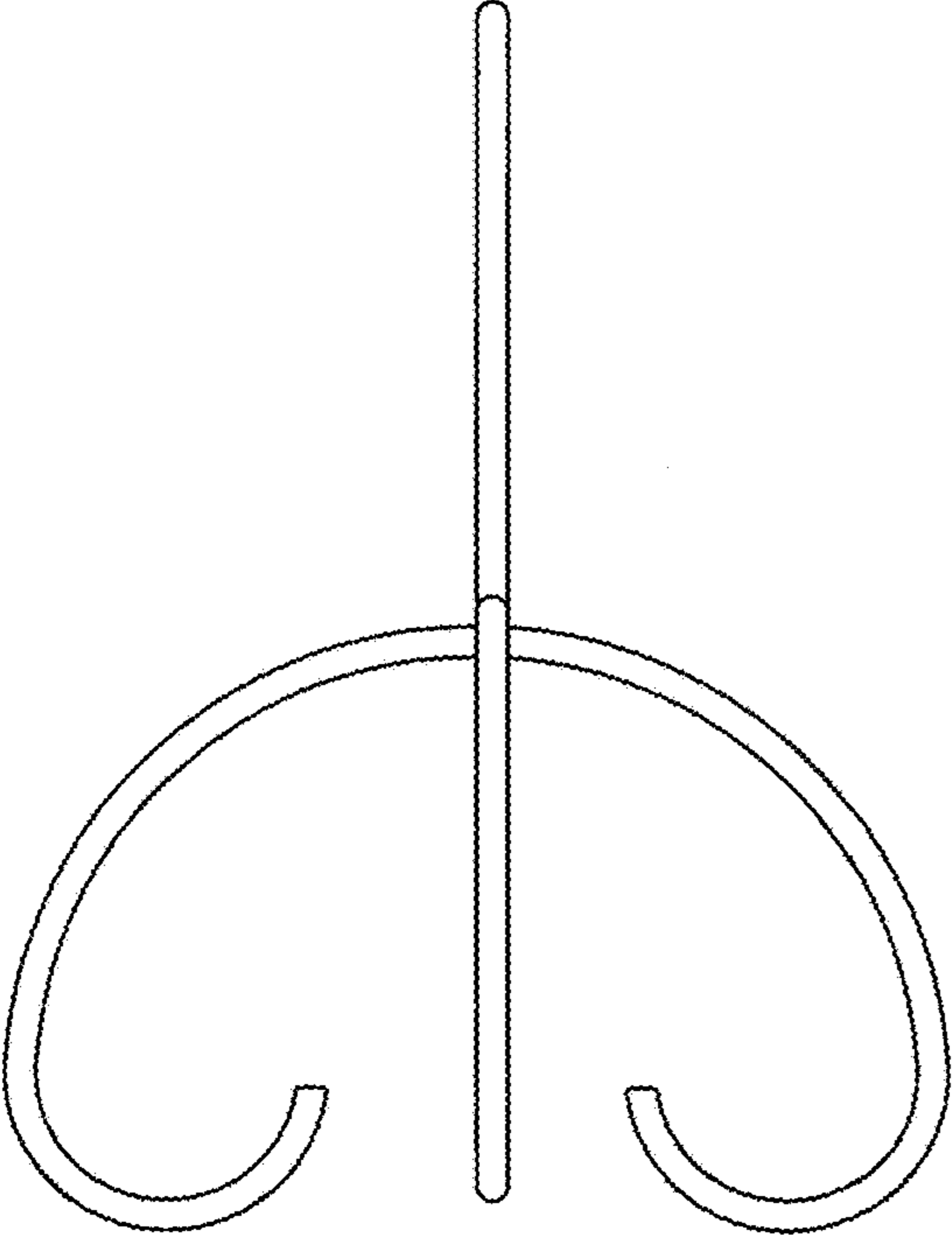


Fig. 4

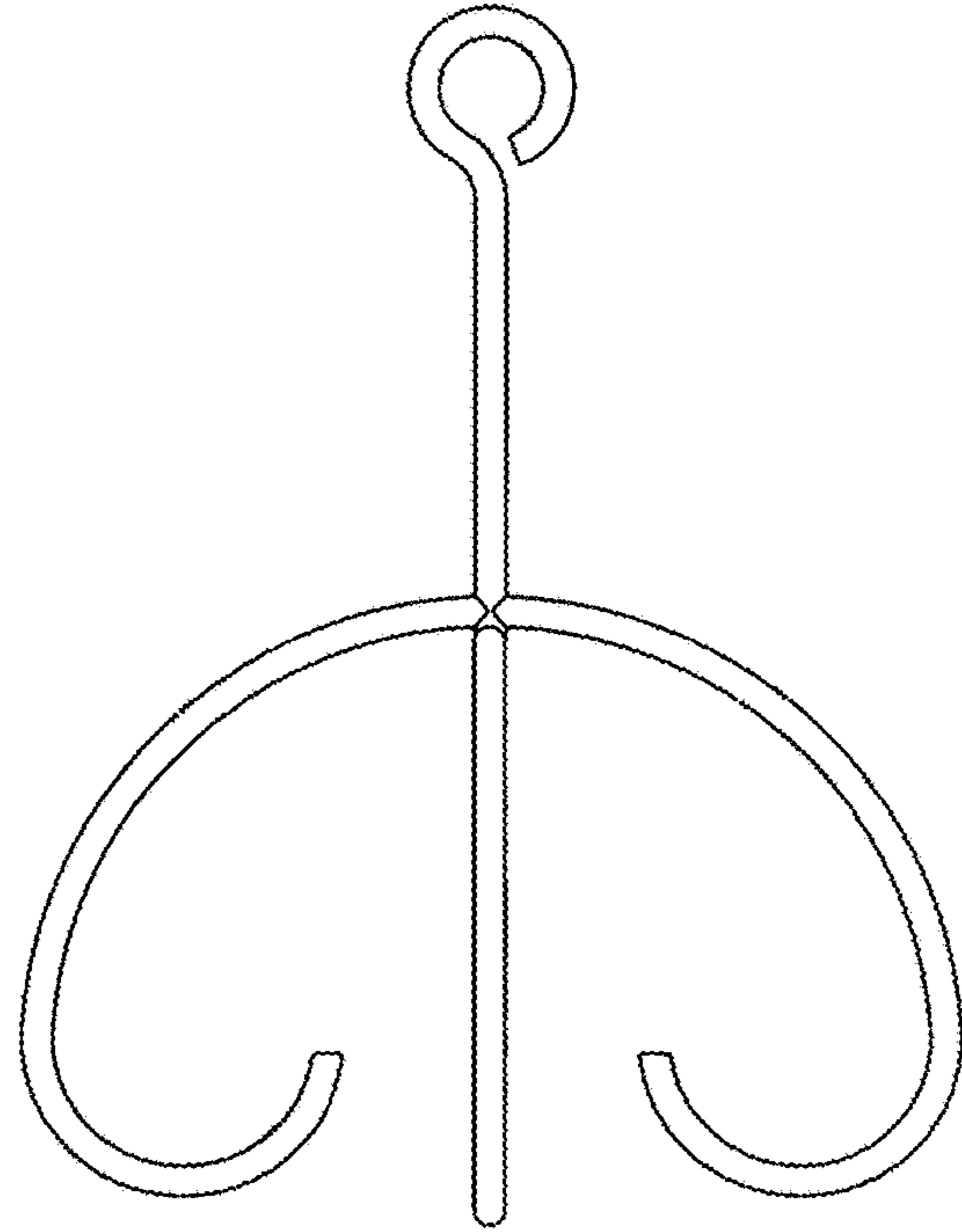


Fig. 5

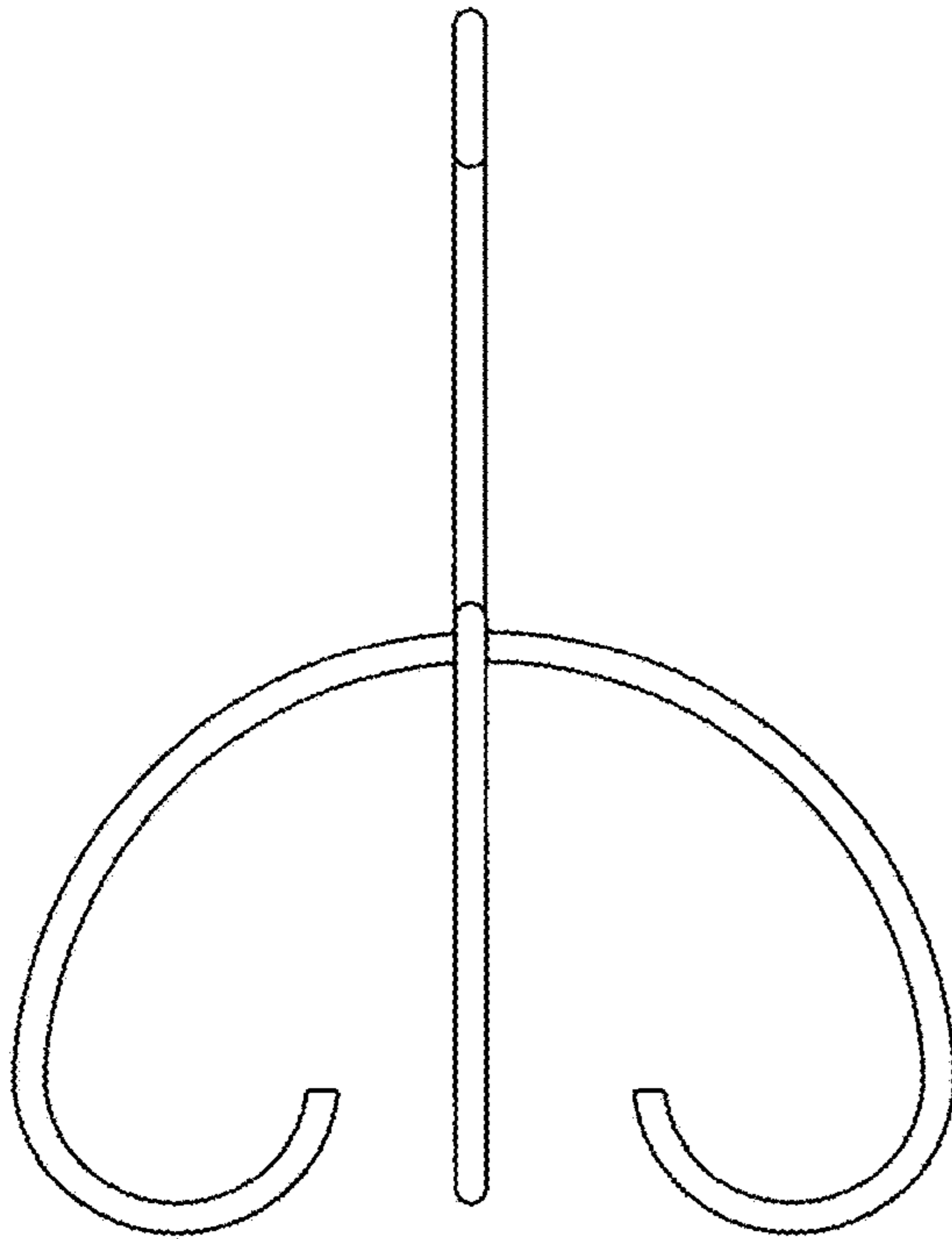


Fig. 6

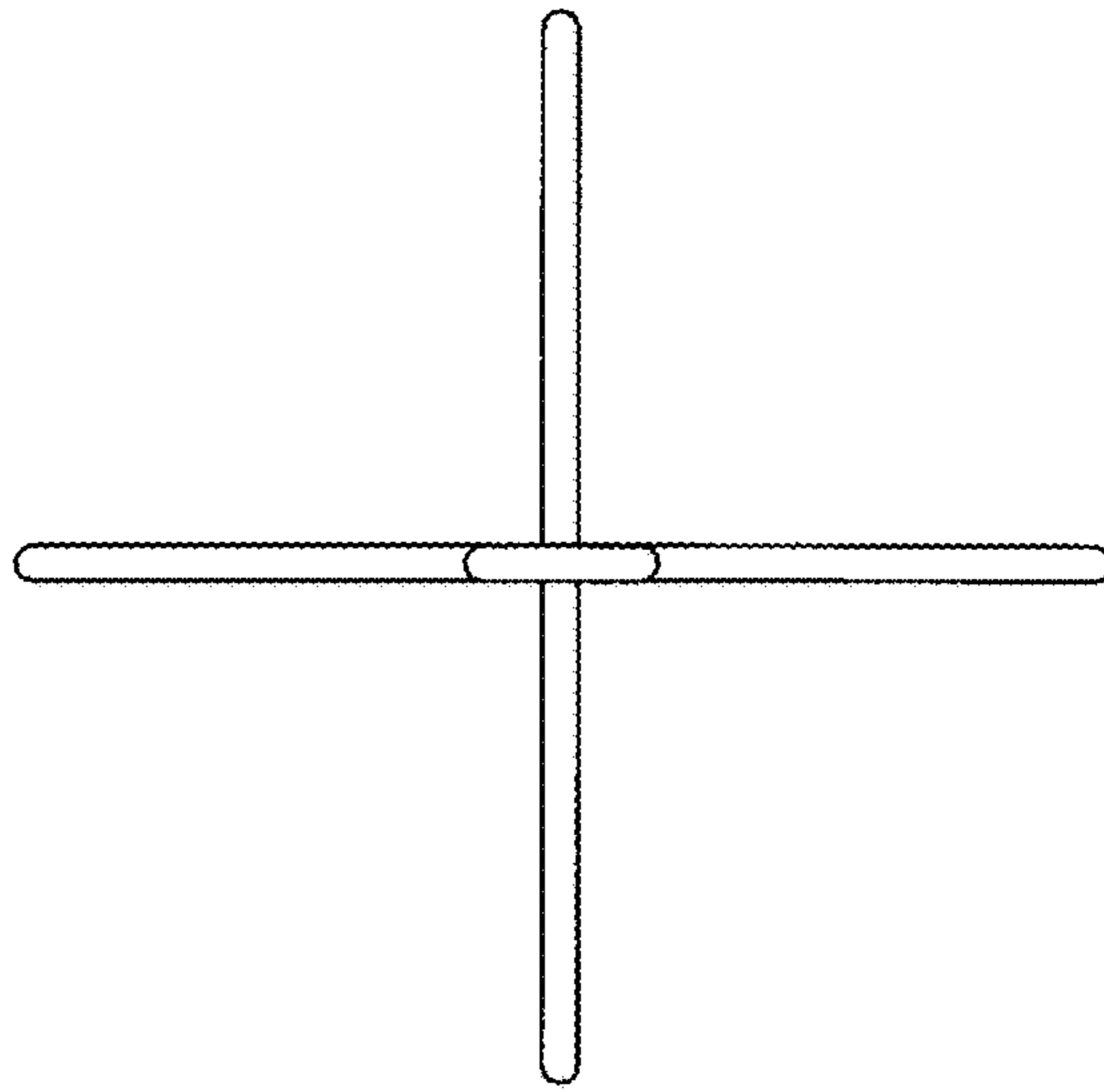


Fig. 7

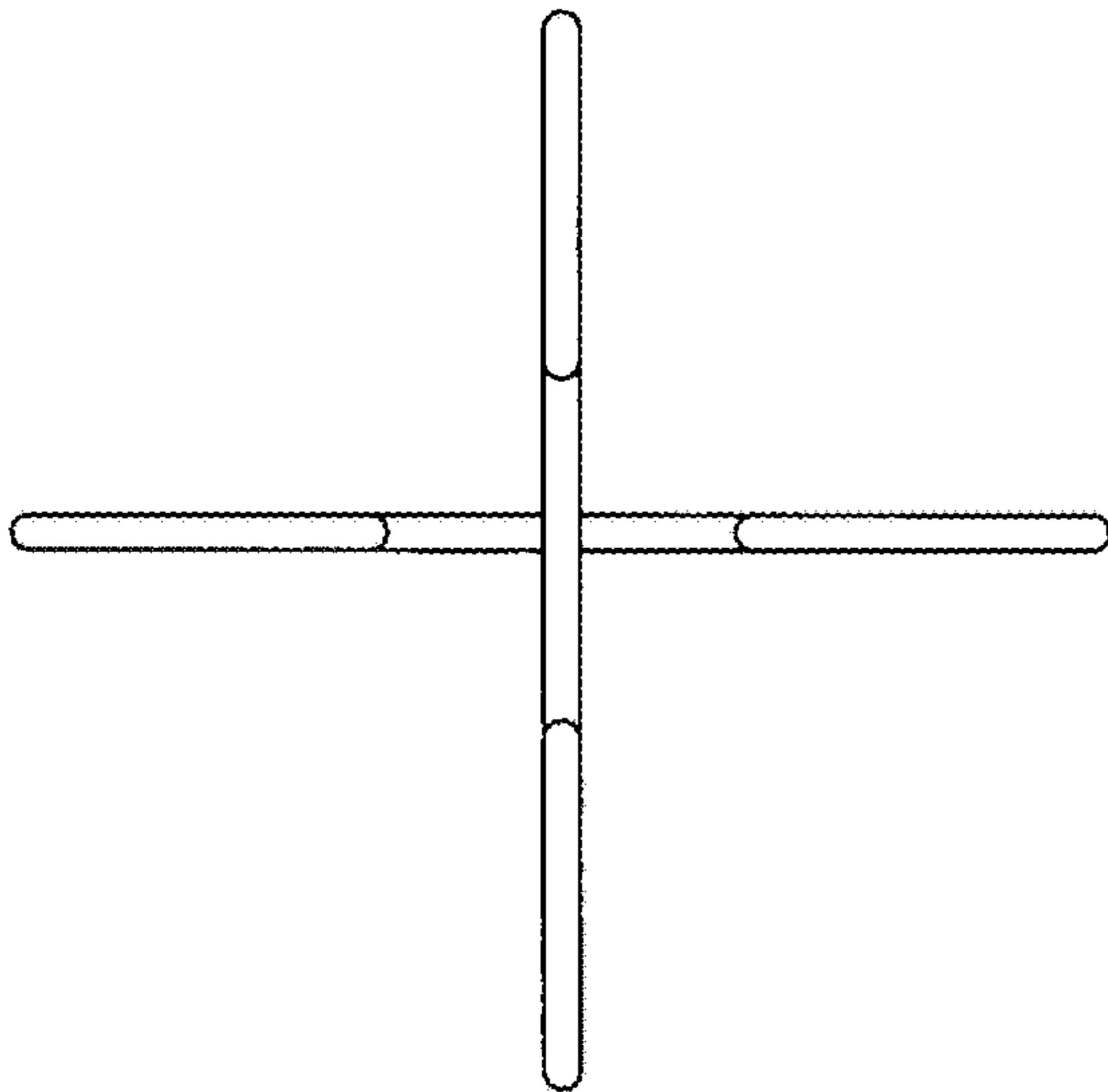


Fig. 8