



US00D852025S

(12) **United States Design Patent**  
**Fechner et al.**

(10) **Patent No.:** **US D852,025 S**  
(45) **Date of Patent:** **\*\* Jun. 25, 2019**

- (54) **ESCUTCHEON**
- (71) Applicant: **Reliance Worldwide Corporation**,  
Atlanta, GA (US)
- (72) Inventors: **Linda Fechner**, Madison, AL (US);  
**Virgil O'Neil**, San Diego, CA (US)
- (73) Assignee: **Reliance Worldwide Corporation**,  
Atlanta, GA (US)
- (\*\*) Term: **15 Years**
- (21) Appl. No.: **29/634,002**
- (22) Filed: **Jan. 17, 2018**
- (51) **LOC (11) Cl.** ..... **11-05**
- (52) **U.S. Cl.**  
USPC ..... **D8/352**
- (58) **Field of Classification Search**  
USPC ..... D8/330, 331, 334, 300, 301, 302,  
D8/350-353  
CPC ..... E05B 47/00; E05B 1/00; E05B 13/103;  
E05B 3/00; E05B 37/00; E05B 9/00;  
E05B 9/02; E05B 49/00; G05B 15/00;  
G05B 19/00; Y10T 70/8568; Y10T  
70/8514; Y10T 70/8459; Y10T 70/8324  
See application file for complete search history.

(56) **References Cited**

U.S. PATENT DOCUMENTS

4,385,777	A	5/1983	Logsdon	
D288,525	S *	3/1987	Angle	D8/352
4,739,596	A	4/1988	Cunningham et al.	
5,161,567	A	11/1992	Humpert	
D403,750	S *	1/1999	Fabian	D23/254
D411,732	S *	6/1999	Chamberlain	D8/350
D571,639	S *	6/2008	Whitney, Jr.	D8/352

D667,240	S *	9/2012	Weldon	A47G 33/004 D6/661.3
D678,752	S *	3/2013	Sedwick	D23/249
D698,011	S *	1/2014	Schoenherr	137/359
D703,026	S *	4/2014	Wu	D8/350
D737,119	S *	8/2015	Condon	D8/352
D755,038	S *	5/2016	Bolton	D8/352
D756,747	S *	5/2016	Wu	D8/352
9,611,672	B2 *	4/2017	Murphy	E05B 55/005
D786,652	S *	5/2017	Lira-Nunez	D8/321
D833,259	S *	11/2018	Tseng	D8/352

\* cited by examiner

*Primary Examiner* — Mark A Goodwin

*Assistant Examiner* — Benjamin M Weeks

(74) *Attorney, Agent, or Firm* — Foley & Lardner LLP;  
John D. Lanza

(57) **CLAIM**

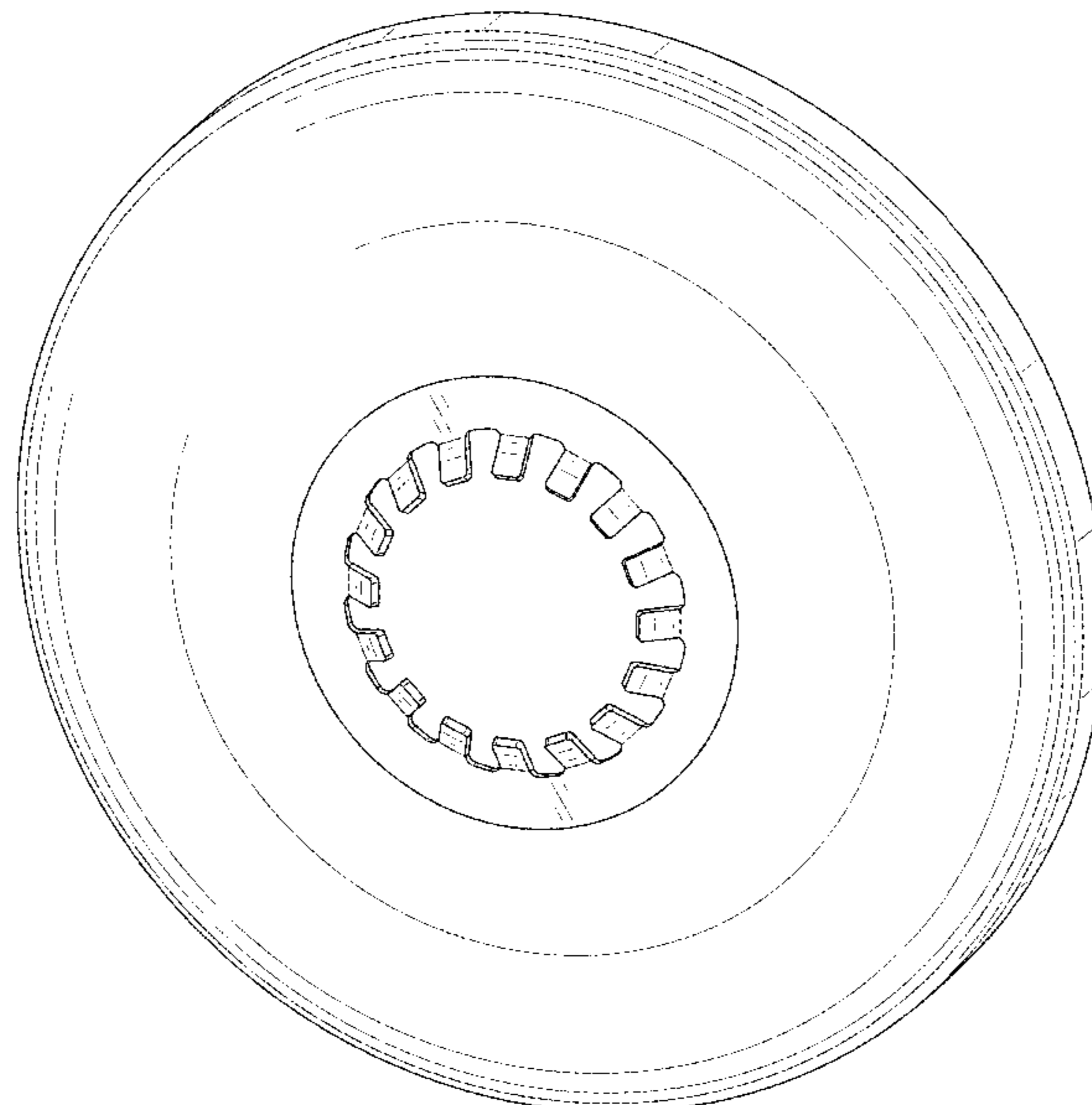
We claim the ornamental design for an escutcheon, as shown and described.

**DESCRIPTION**

FIG. 1 is a perspective view of the claimed design;  
FIG. 2 is a front view of the claimed design shown in FIG. 1;  
FIG. 3 is a rear view of the claimed design shown in FIG. 1;  
FIG. 4 is a side view of the claimed design shown in FIG. 1;  
FIG. 5 is another side view of the claimed design shown in FIG. 1;  
FIG. 6 is a top view of the claimed design shown in FIG. 1; and,  
FIG. 7 is a bottom view of the claimed design shown in FIG. 1.

The ornamental design that is claimed is shown in the drawings as solid lines and surfaces having surface shading.

**1 Claim, 5 Drawing Sheets**



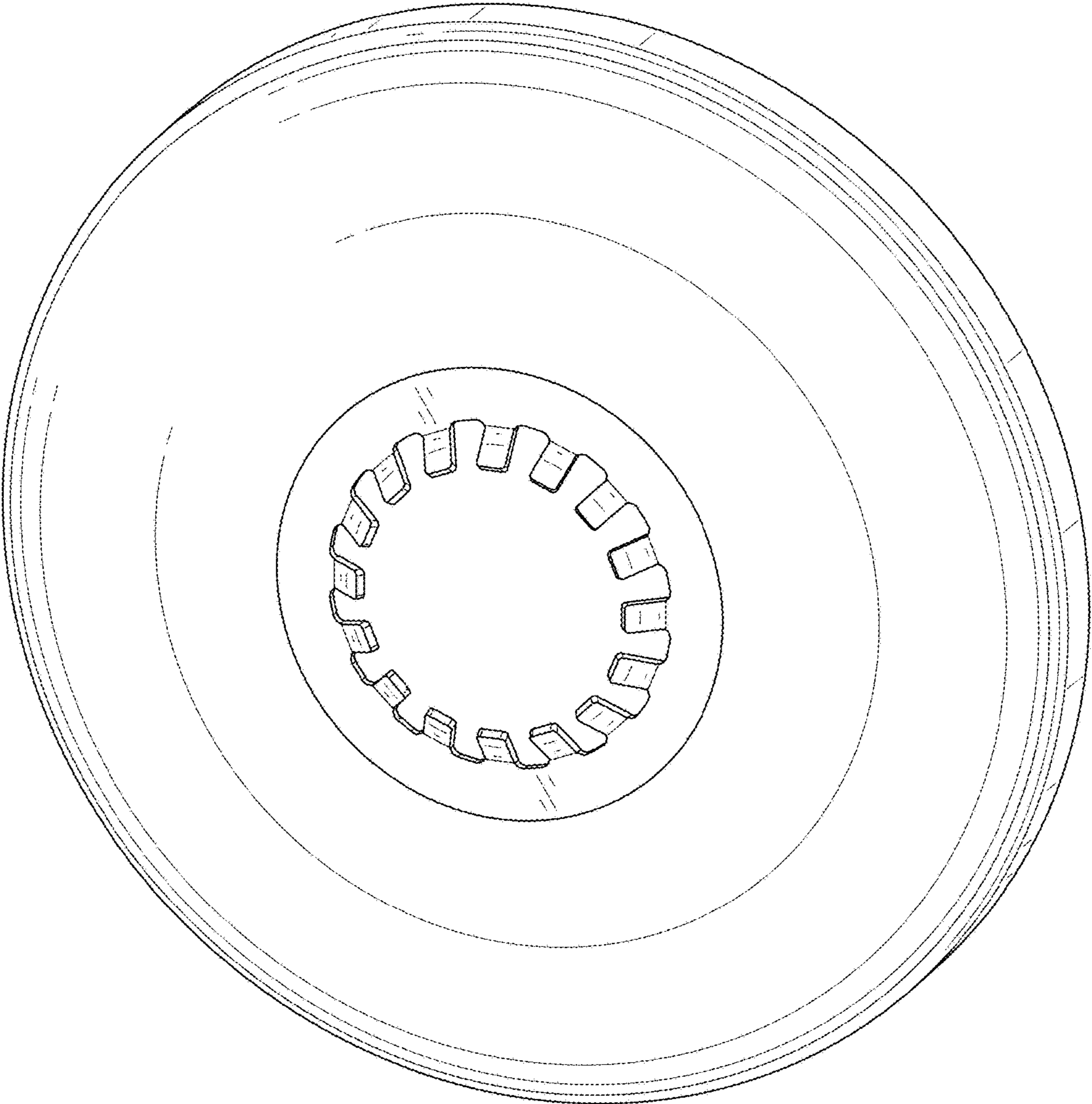


FIG. 1

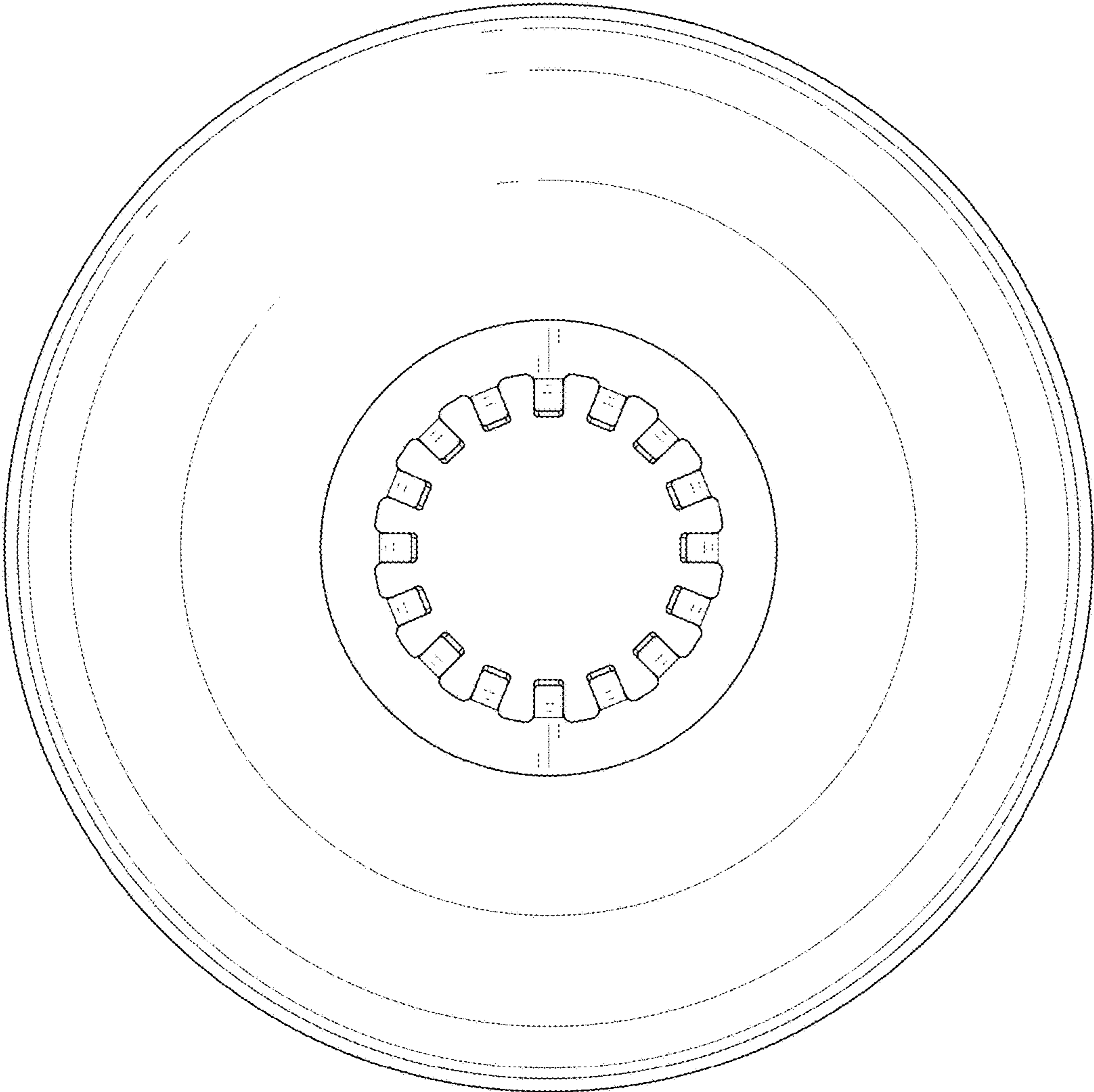


FIG. 2

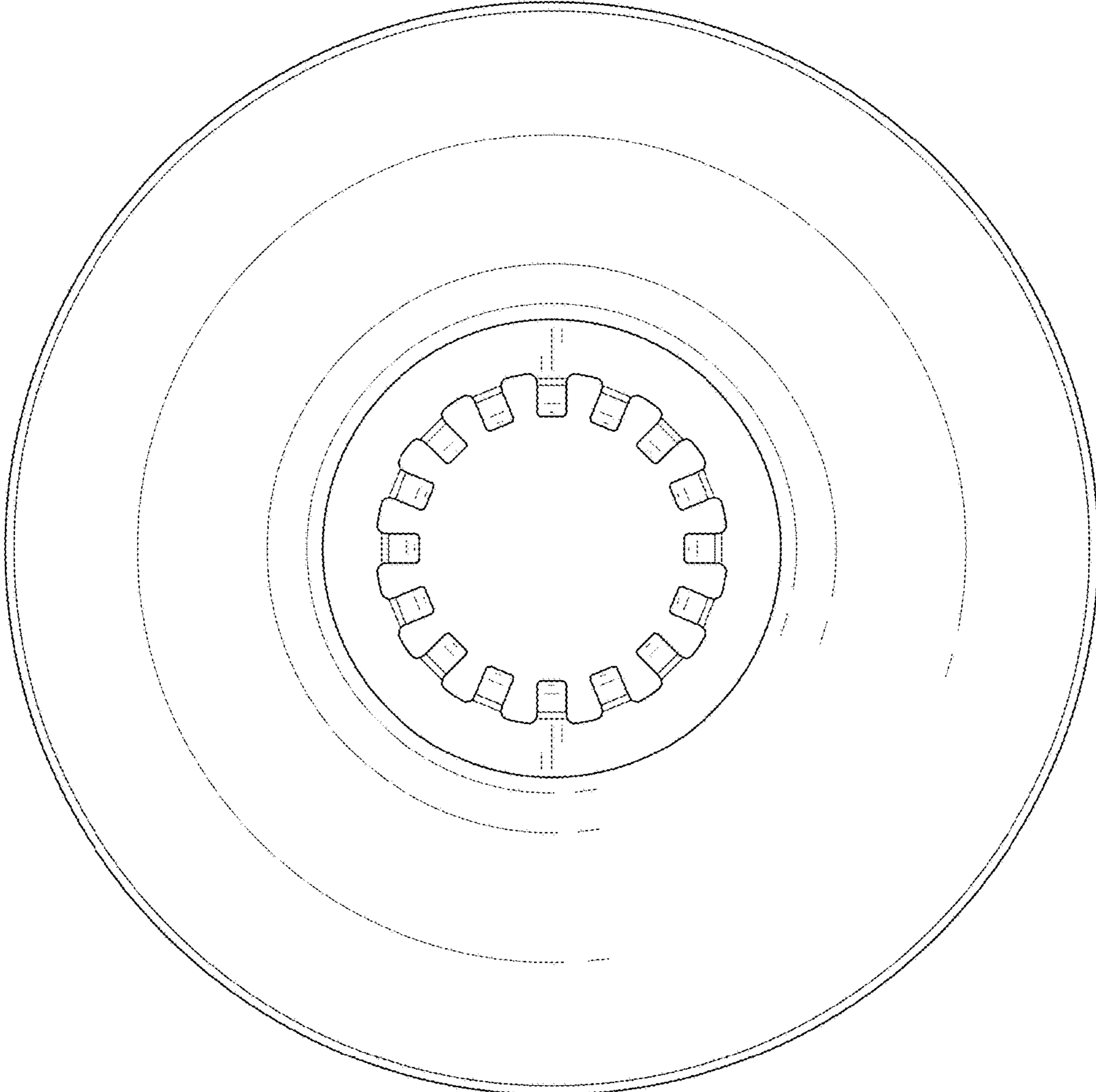


FIG. 3



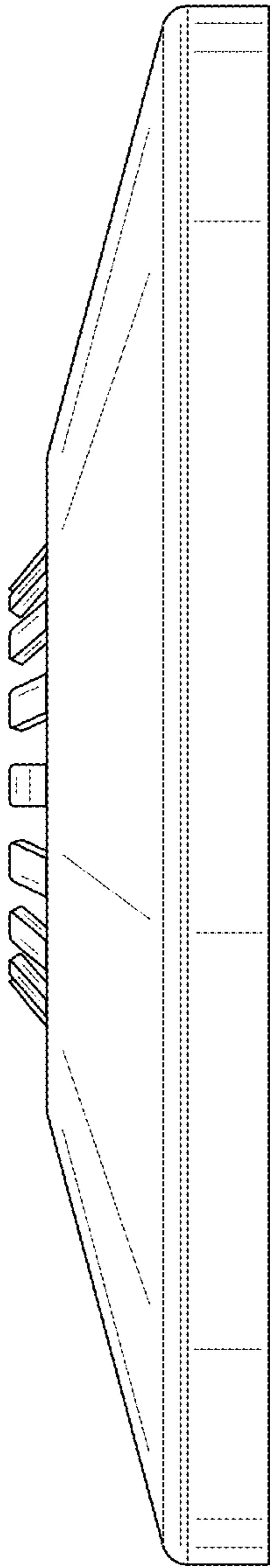


FIG. 4

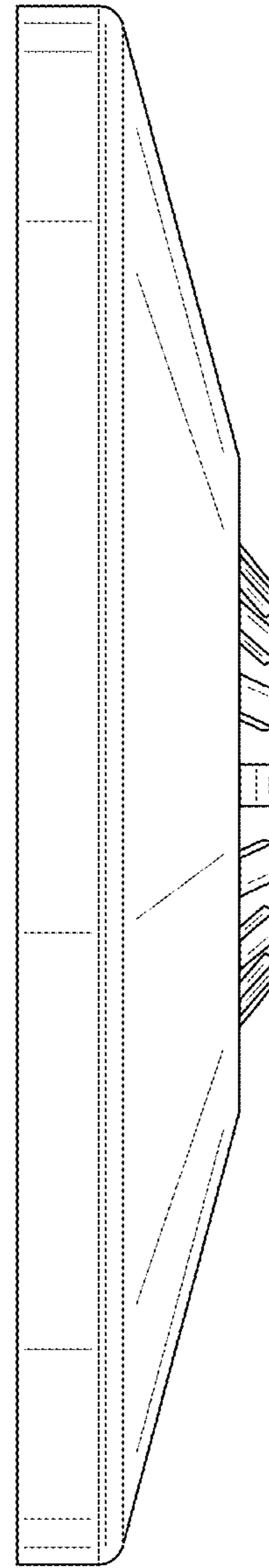


FIG. 5

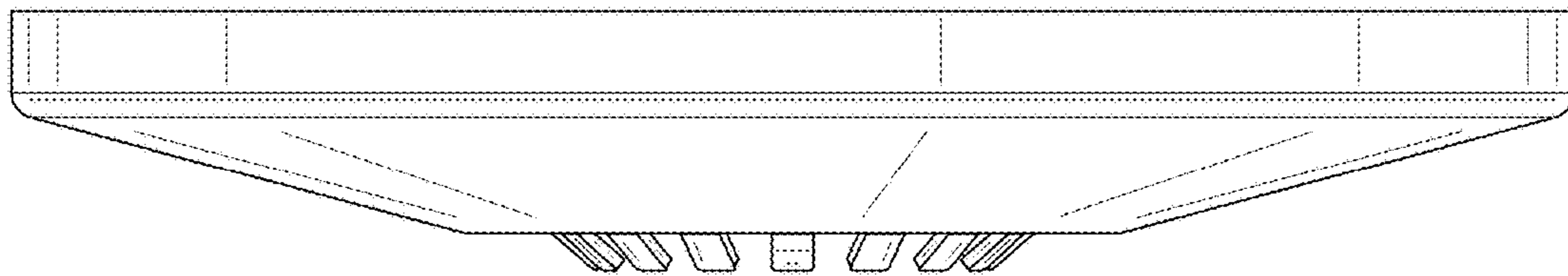


FIG. 6

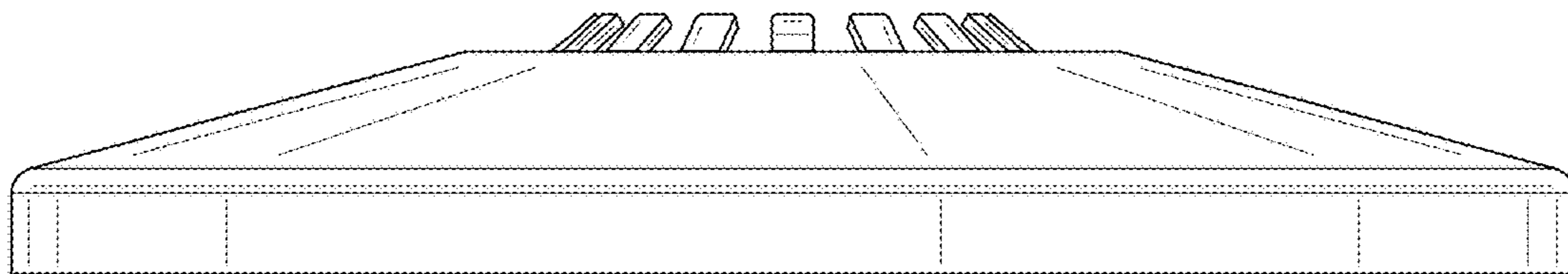


FIG. 7