



US00D852024S

(12) **United States Design Patent** (10) **Patent No.:** **US D852,024 S**
LaPorta (45) **Date of Patent:** **** Jun. 25, 2019**

(54) **KICKPLATE EXTENDER**
(71) Applicant: **Vincent N. LaPorta**, Crystal Beach, FL (US)
(72) Inventor: **Vincent N. LaPorta**, Crystal Beach, FL (US)
(73) Assignee: **LaPorta Inspection Services LLC**, Crystal Beach, FL (US)

Primary Examiner — Mark A Goodwin
(74) *Attorney, Agent, or Firm* — Paul Murty; Smith & Hopen, P.A.

(**) Term: **15 Years**

(57) **CLAIM**

The ornamental design for a kickplate extender, as shown and described.

(21) Appl. No.: **29/665,000**

DESCRIPTION

(22) Filed: **Sep. 28, 2018**
(51) **LOC (11) Cl.** **08-08**
(52) **U.S. Cl.**
USPC **D8/349**
(58) **Field of Classification Search**
USPC D8/354, 349, 355, 363, 366, 371, 373, D8/380, 382, 384; 160/323 A, 321, 160/323.1; 248/267, 268; D12/223, 193; D6/300–302; D25/119–125; 403/403
CPC ... E02D 27/02; E04B 2005/322; E04G 11/06; E04G 11/36; A47F 5/00; A47H 1/10; B60R 13/10; B60R 13/105; B60R 19/24; B60R 19/52
See application file for complete search history.

FIG. 1 is a rear perspective view of a kickplate extender, with a screw hole shown in broken lines.
FIG. 2 is a front perspective view thereof.
FIG. 3 is a rear elevation view thereof.
FIG. 4 is a front elevation view thereof.
FIG. 5 is a side elevation view thereof.
FIG. 6 is a side elevation view thereof.
FIG. 7 is a top plan view thereof.
FIG. 8 is a bottom plan view thereof.
FIG. 9 is a front perspective view thereof, showing a wire running down a furring strip, across a ledge of the kickplate extender, and connected to an outlet, the wire, furring strip, and outlet shown in broken lines.
FIG. 10 is a front perspective view of a kickplate extender, with a pair of screw holes shown in broken lines.
FIG. 11 is a rear elevation view thereof.
FIG. 12 is a front elevation view thereof.
FIG. 13 is a side elevation view thereof.
FIG. 14 is a side elevation view thereof.
FIG. 15 is a top plan view thereof.
FIG. 16 is a bottom plan view thereof; and,
FIG. 17 is a front perspective view thereof, showing a wire running down a furring strip and across the kickplate extender, the wire and furring strip shown in broken lines. The subject matter delineated in broken lines, showing wires, furring strips, outlets, and screw holes, illustrates environment and forms no part of the claimed design.

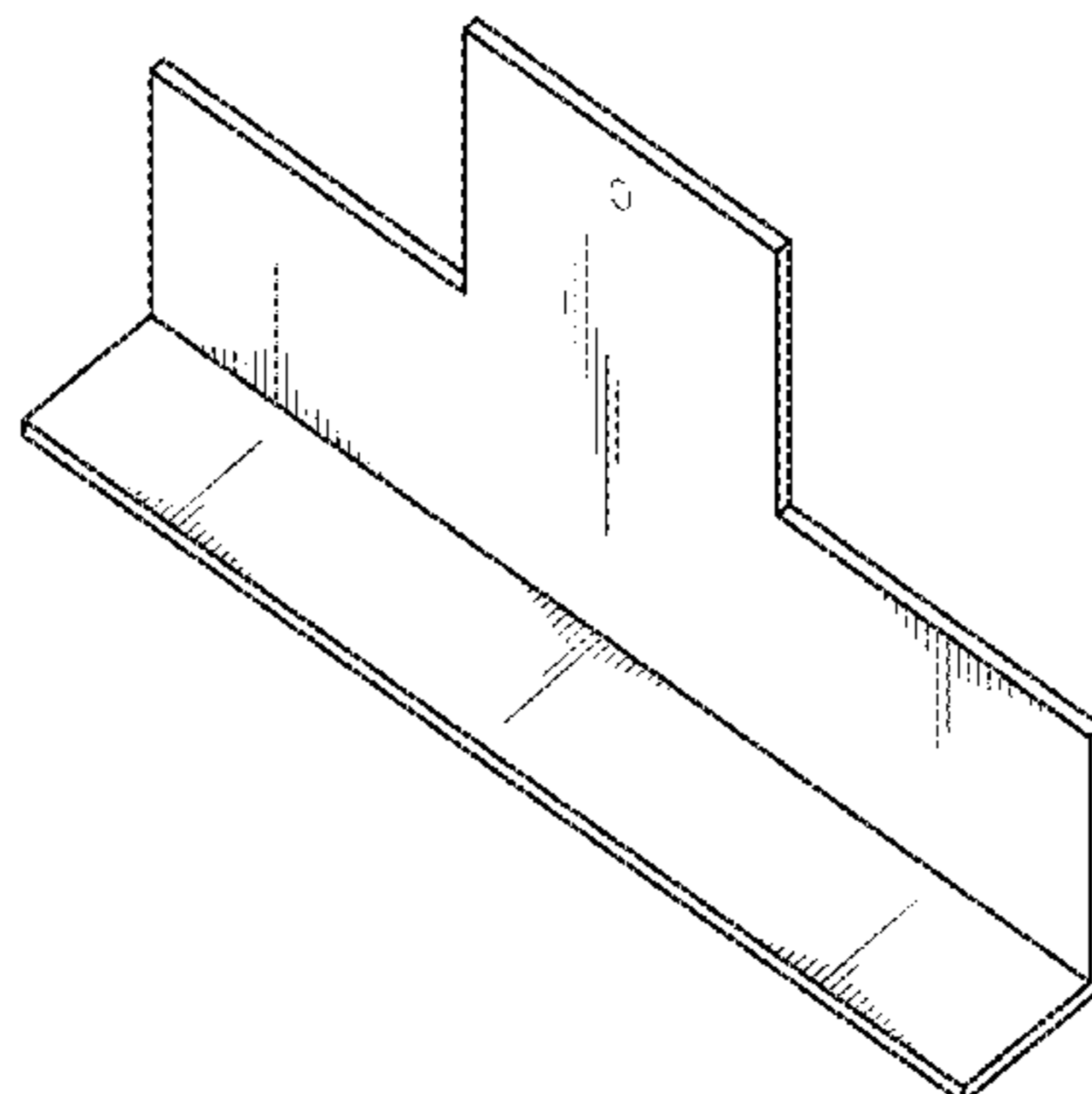
(56) **References Cited**

U.S. PATENT DOCUMENTS

3,240,869	A	3/1966	Jureit	
3,350,501	A	10/1967	Jureit	
3,515,797	A	6/1970	Hochstetler	
3,553,346	A	1/1971	Balantyre	
D223,082	S *	3/1972	Fromm	D8/354
D279,473	S	7/1985	Hochstetler	
D288,171	S *	2/1987	Dey	D8/366
4,773,196	A *	9/1988	Yoshida	E04F 15/02447 174/486
4,807,417	A	2/1989	Bell	
5,359,151	A	10/1994	Nattel	

(Continued)

1 Claim, 8 Drawing Sheets



(56)

References Cited

U.S. PATENT DOCUMENTS

5,647,687 A *	7/1997	Robinson	A47B 95/002			
					312/228		
D449,218 S *	10/2001	Vrame		D8/354		
D481,619 S	11/2003	Hightower					
6,642,445 B1	11/2003	Lalancette					
D531,010 S *	10/2006	Vrame		D8/354		
7,429,023 B2 *	9/2008	Morrow	E04B 1/003			
					248/200		
D583,221 S *	12/2008	Johnsen		D8/354		
D596,015 S *	7/2009	Scarcello		D8/354		
D598,731 S	8/2009	Dinh					
D612,226 S	3/2010	Dinh					
D618,082 S	6/2010	Lambrou					
D625,591 S	10/2010	MacDonald					
D650,082 S *	12/2011	Roggenkamp	D24/184			
8,082,701 B1 *	12/2011	Wendel	E04C 3/145			
					52/100		
D667,289 S *	9/2012	Preda		D8/354		
D684,033 S *	6/2013	Preda		D8/354		
D684,034 S *	6/2013	Vaughan		D8/349		
D689,760 S *	9/2013	Chen		D8/354		
8,544,225 B2	10/2013	Lakoduk					
D696,570 S *	12/2013	Mirer		D8/349		
D705,040 S *	5/2014	Konrad		D8/354		
8,839,579 B2	9/2014	Lakoduk					
9,010,063 B2 *	4/2015	Spruiell	E04G 21/185			
					52/699		
D730,545 S *	5/2015	Stauffer		D25/133		
D730,719 S *	6/2015	Sundberg		D8/354		
D745,367 S *	12/2015	Mier		D8/349		
9,219,355 B2	12/2015	Lalancette					
D760,066 S *	6/2016	Krenek		D8/354		
D763,062 S *	8/2016	Tatem		D14/239		
D784,794 S *	4/2017	Bently		D8/354		
D793,352 S *	8/2017	Hill		D13/182		
D801,793 S *	11/2017	Johnson		D8/381		
D822,453 S *	7/2018	Kanter		D8/354		
D822,454 S *	7/2018	Kanter		D8/354		
2011/0209912 A1	9/2011	Korcz					
2012/0126070 A1	5/2012	Lalancette					

* cited by examiner

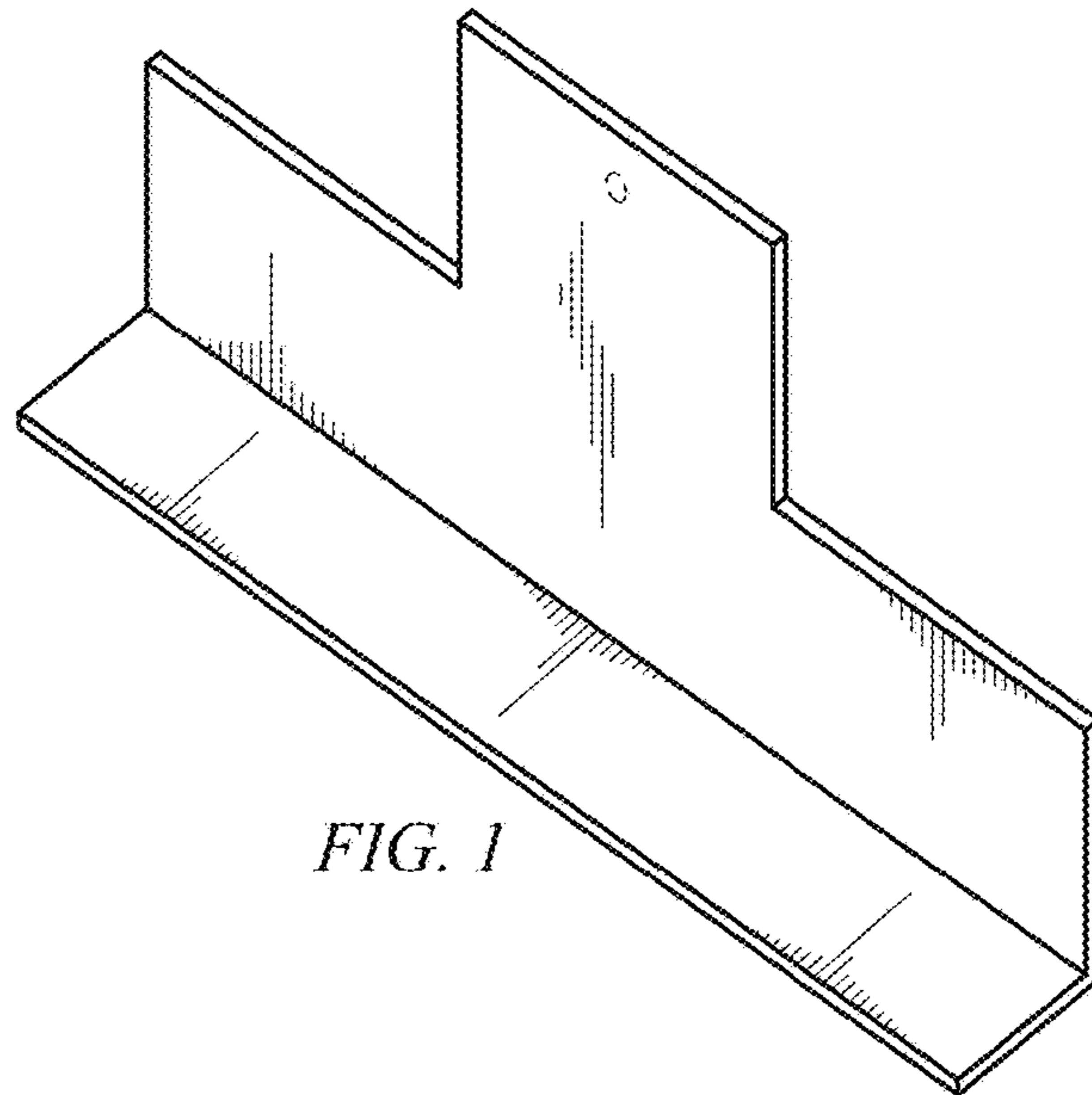


FIG. 1

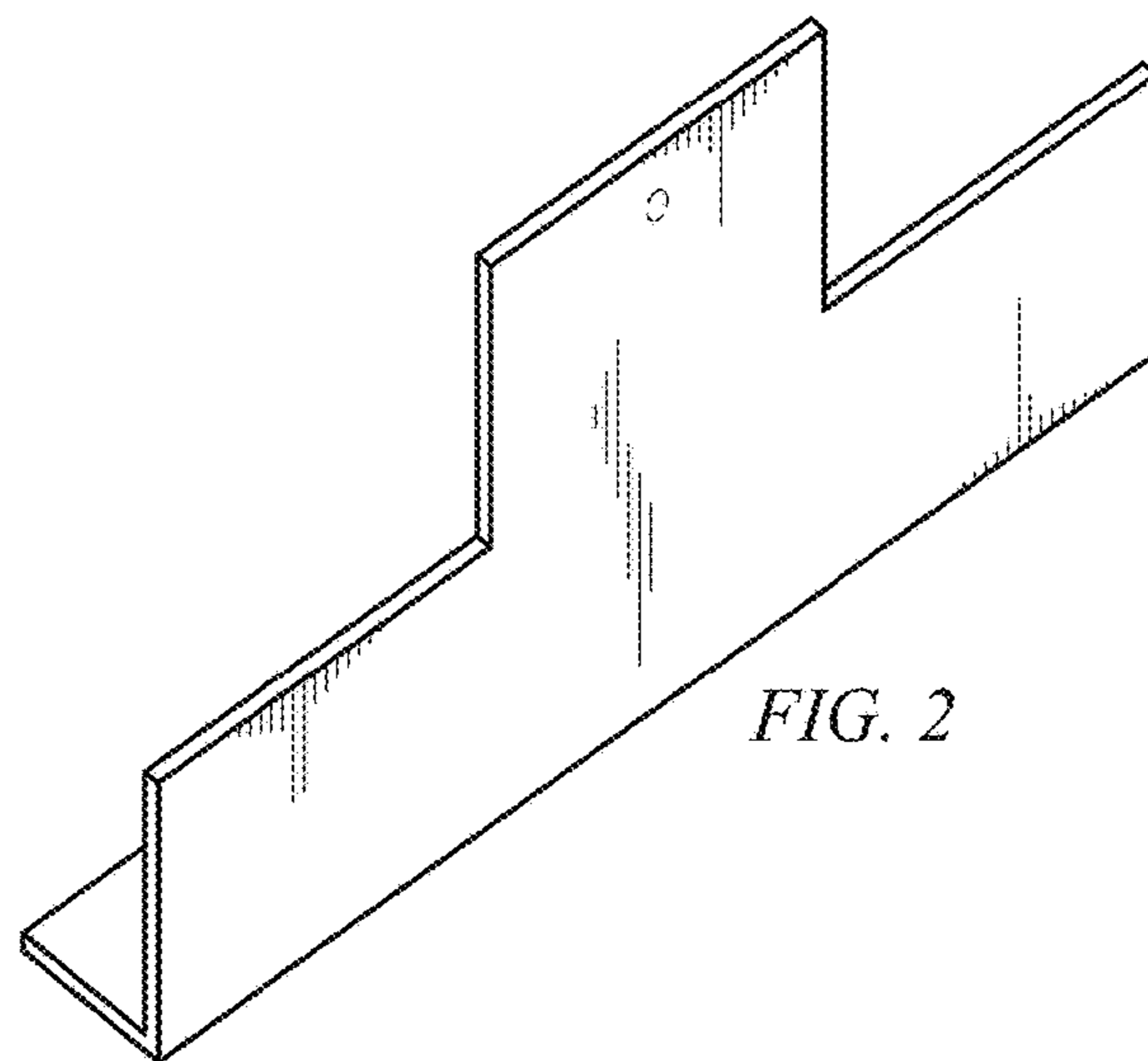


FIG. 2

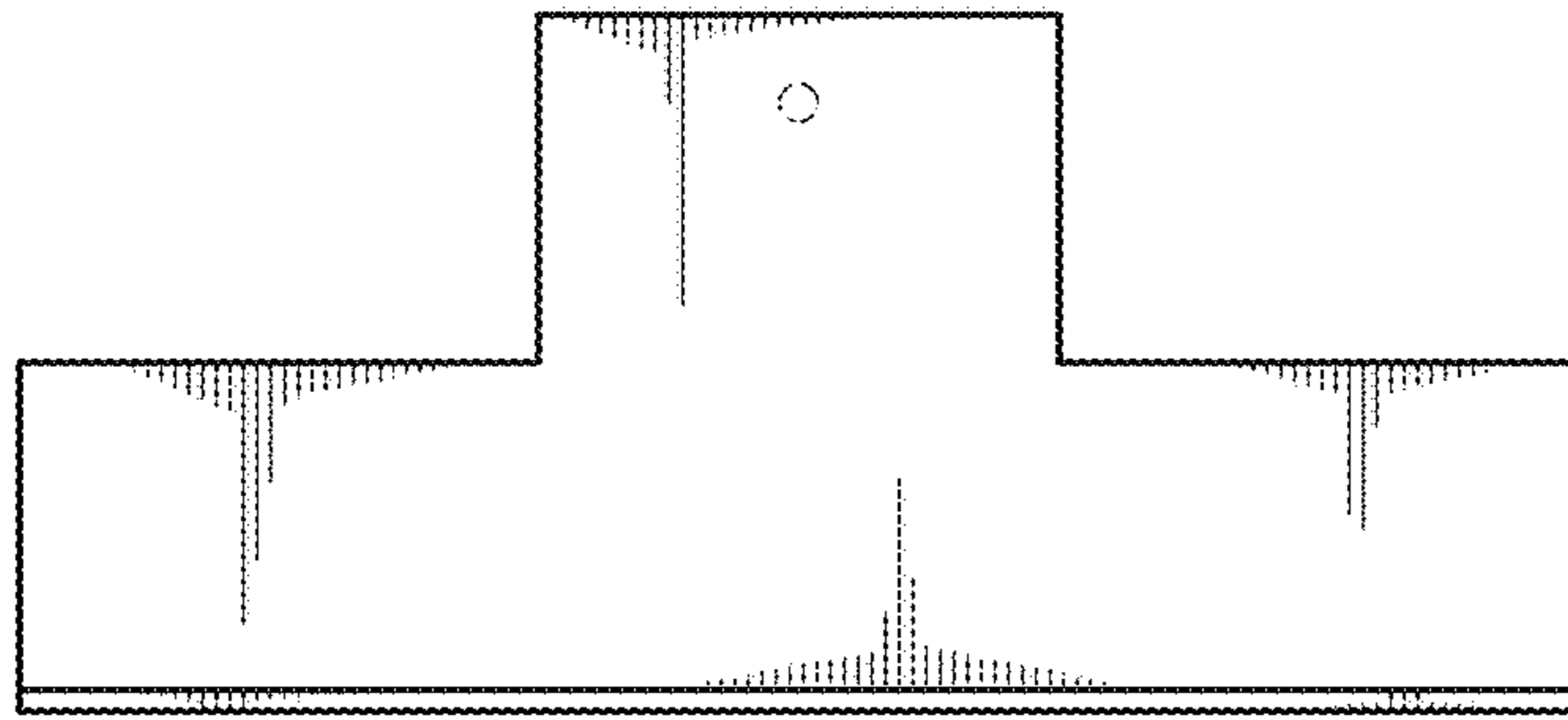


FIG. 3

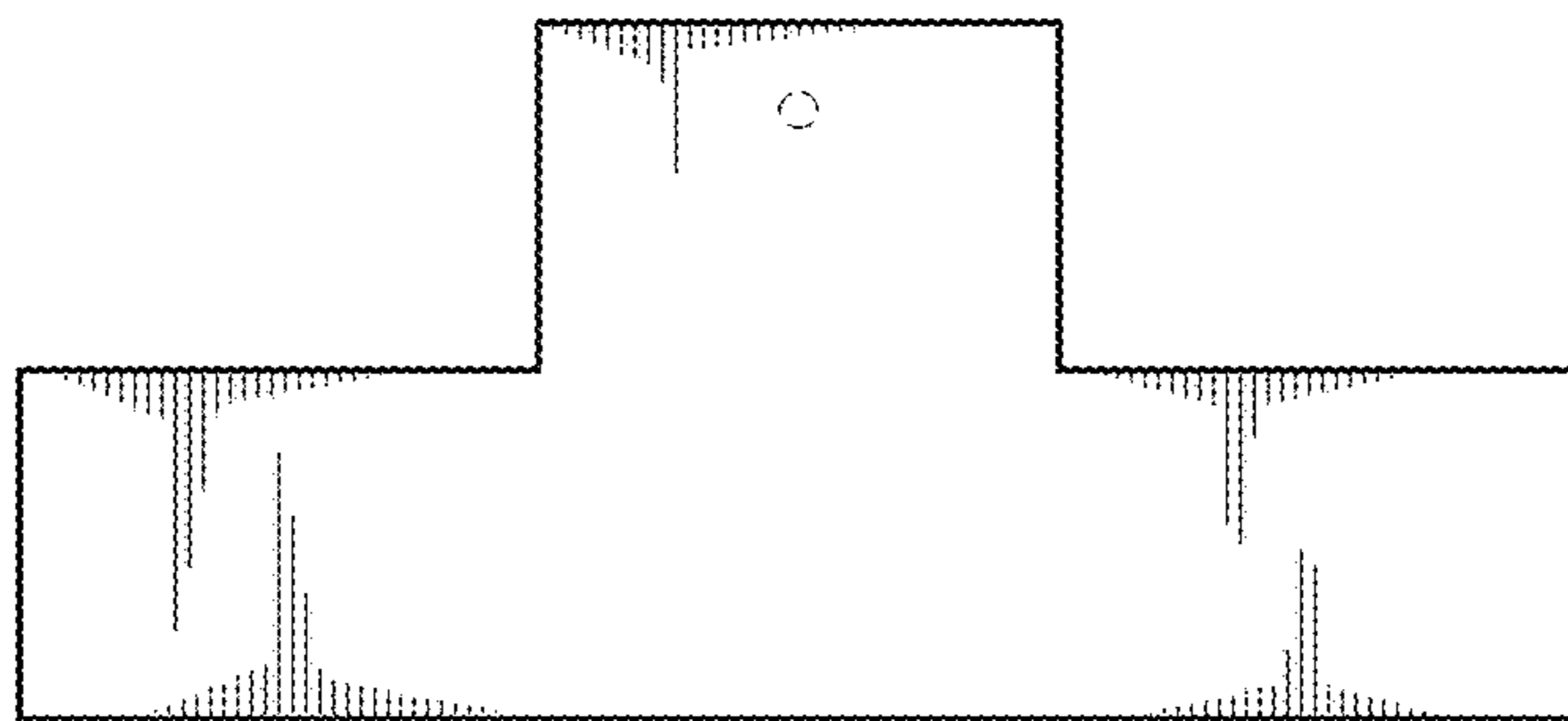


FIG. 4



FIG. 5

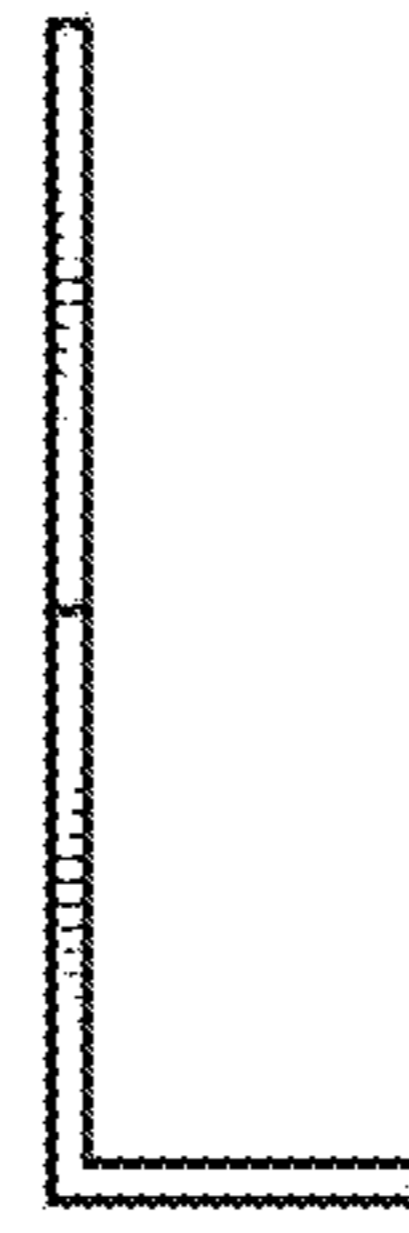


FIG. 6

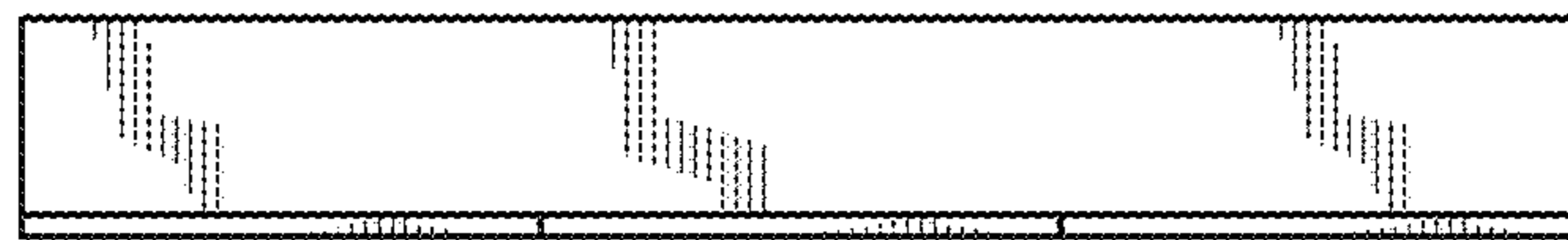
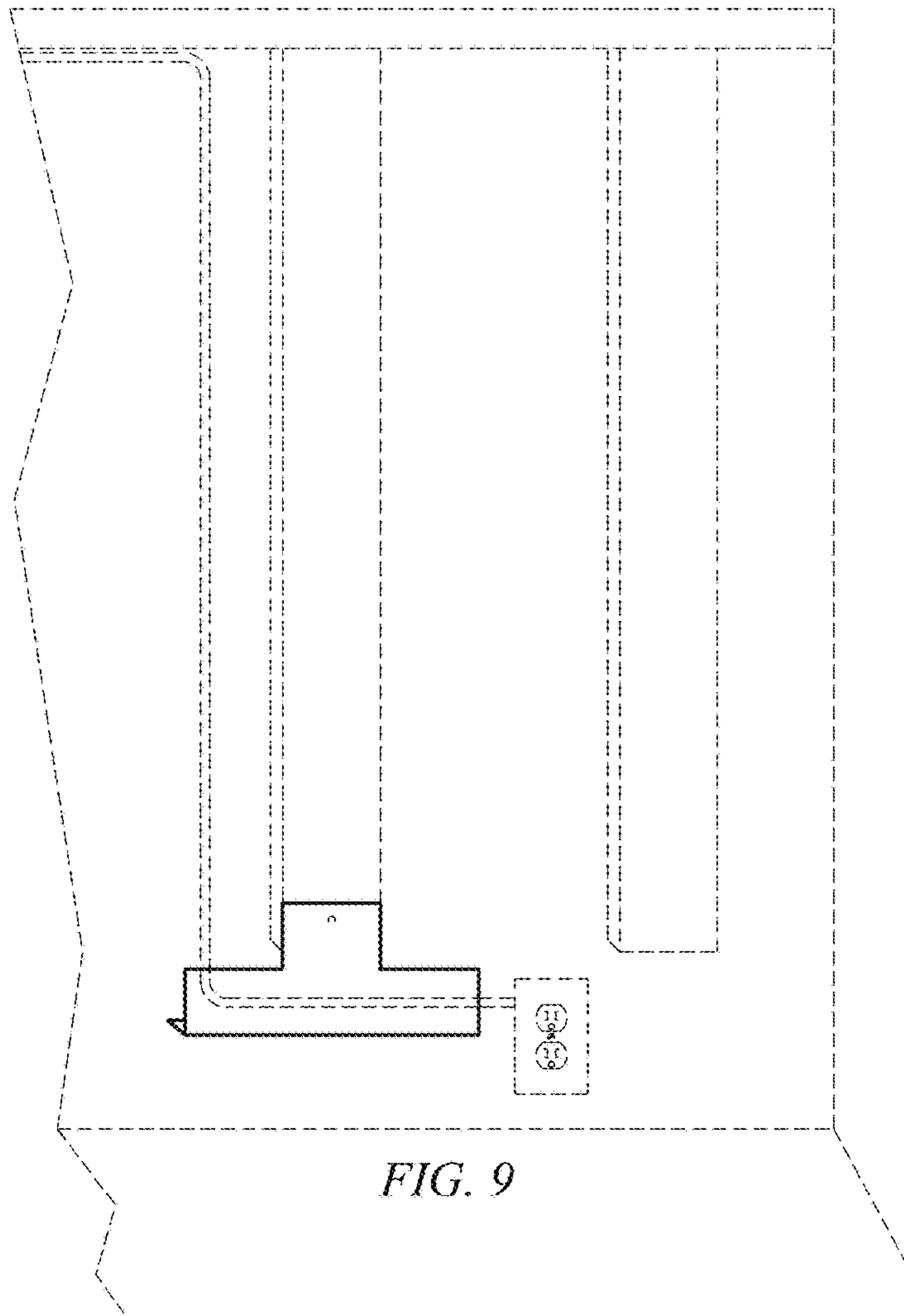


FIG. 7



FIG. 8



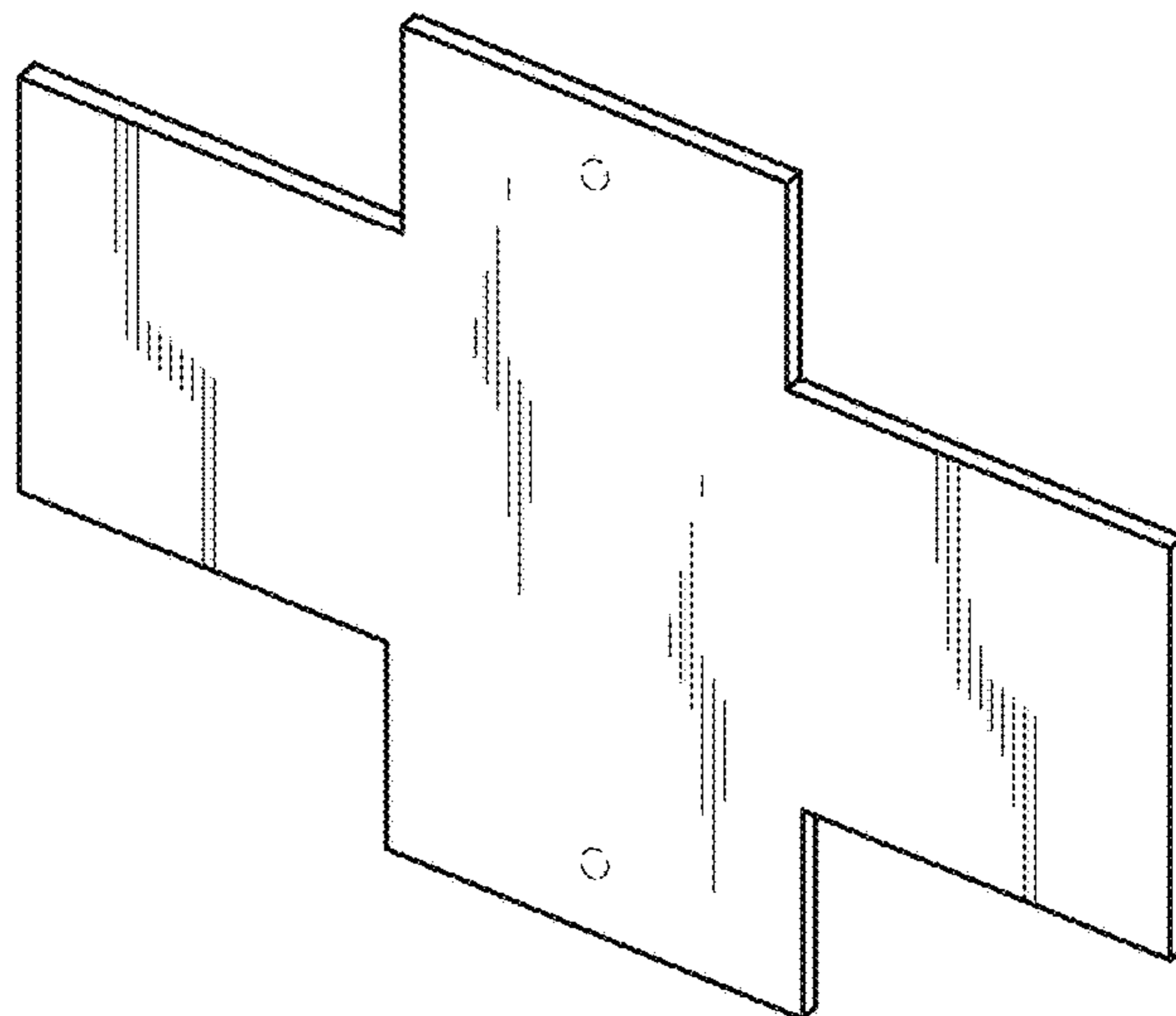


FIG. 10

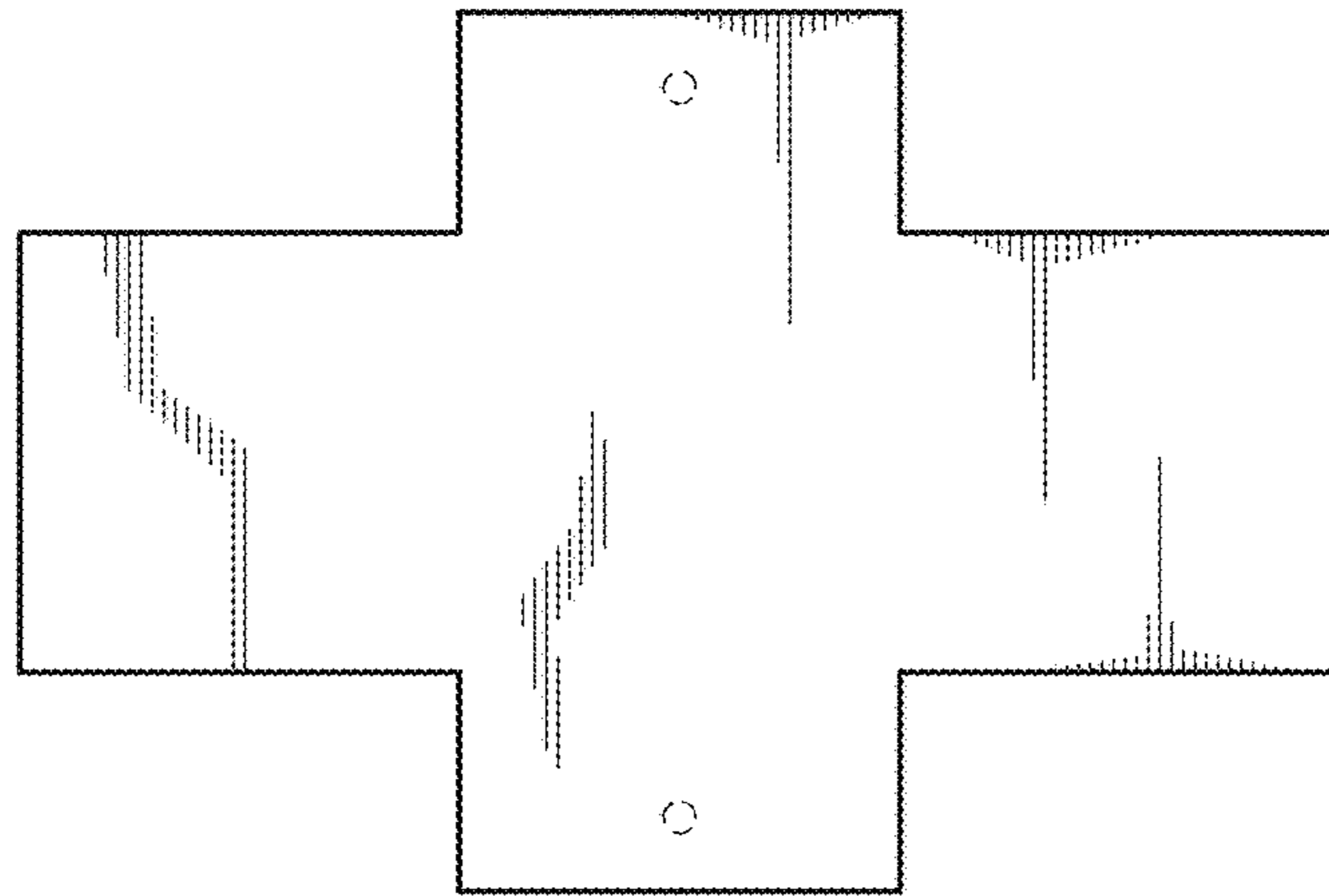


FIG. 11

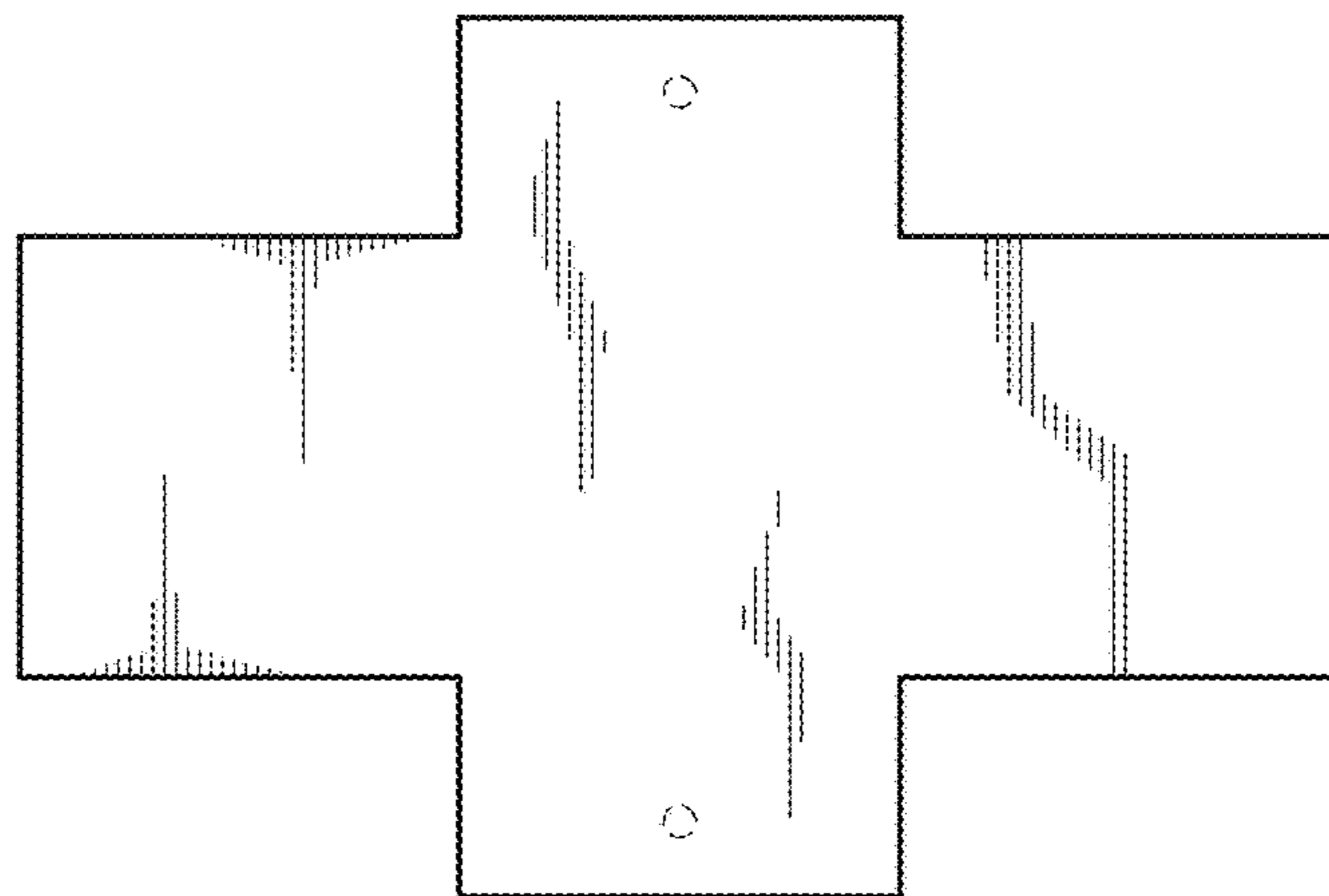


FIG. 12



FIG. 13



FIG. 14



FIG. 15

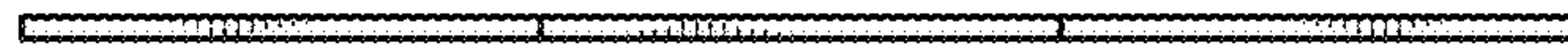
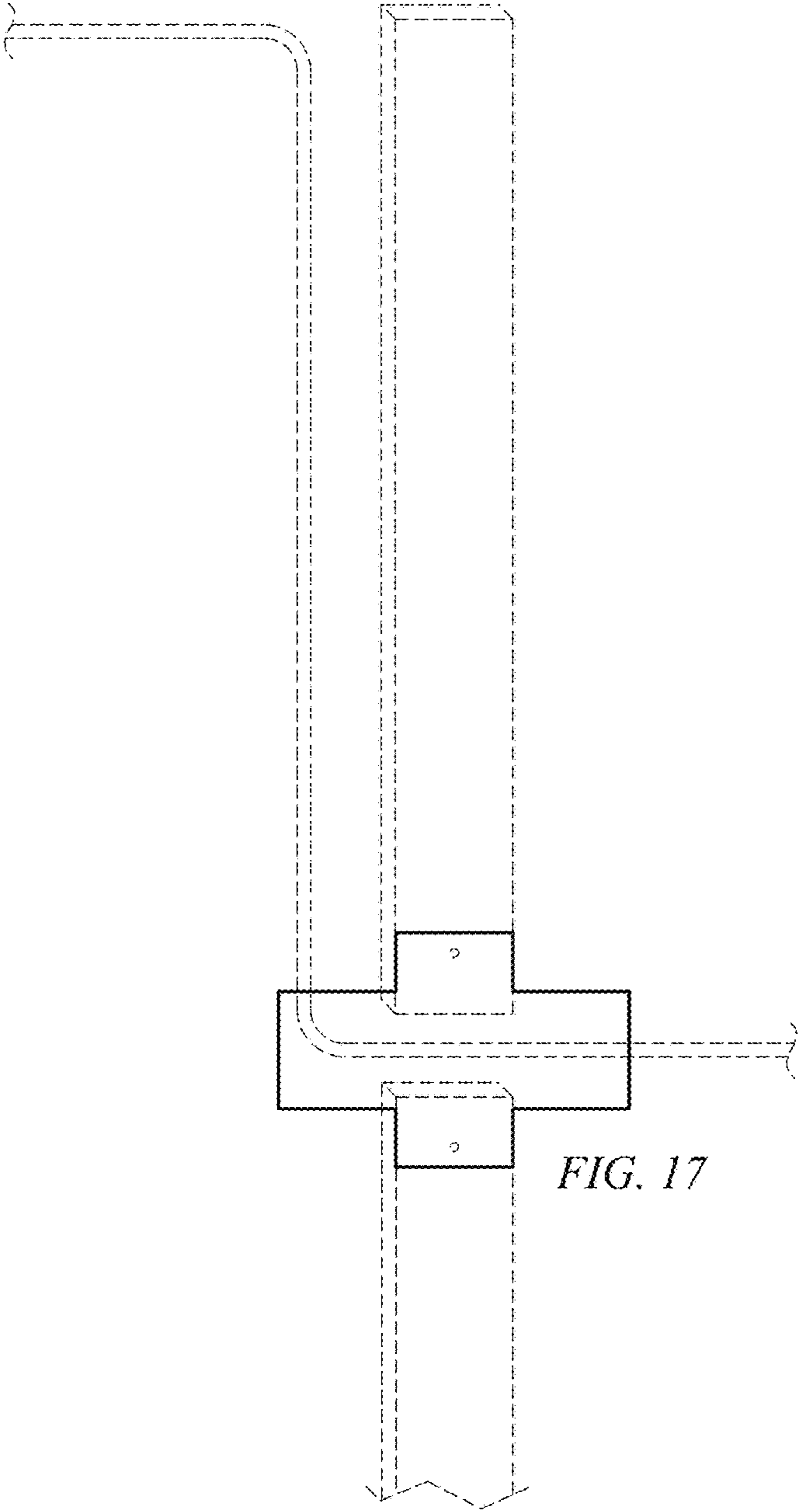


FIG. 16



UNITED STATES PATENT AND TRADEMARK OFFICE
CERTIFICATE OF CORRECTION

PATENT NO. : D852,024 S
APPLICATION NO. : 29/665000
DATED : June 25, 2019
INVENTOR(S) : Vincent N. LaPorta

Page 1 of 1

It is certified that error appears in the above-identified patent and that said Letters Patent is hereby corrected as shown below:

On the Title Page

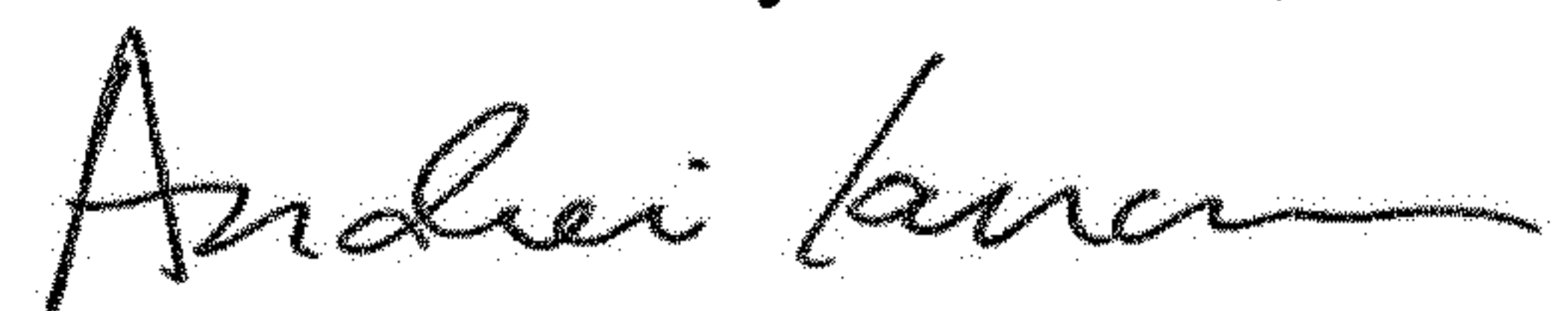
Please remove the corresponding descriptions for Figures 10-17

Under DESCRIPTION "1 Claim, 8 Drawing Sheets" should read:
1 Claim, 4 Drawing Sheets

In the Drawings

Please remove drawing sheets 5-8 (Figures 10-17)

Signed and Sealed this
Seventeenth Day of March, 2020



Andrei Iancu
Director of the United States Patent and Trademark Office