



US00D852020S

(12) **United States Design Patent** (10) **Patent No.:** **US D852,020 S**
Lee (45) **Date of Patent:** **** Jun. 25, 2019**

(54) **FOLDABLE KNIFE**

OTHER PUBLICATIONS

(71) Applicant: **Pacific Solution Marketing, Inc.**,
Ontario, CA (US)

Amazon Website, Monogram Knife, Knife Wrench Knife.*
Amazon Website, Gas Monkey Small Wrench knife.*

(72) Inventor: **Steward Lee**, Walnut, CA (US)

* cited by examiner

(73) Assignee: **Pacific Solution Marketing, Inc.**,
Ontario, CA (US)

Primary Examiner — Philip S Hyder

(74) *Attorney, Agent, or Firm* — Intellent Patents LLC;
Ahmed Alhafidh

(**) Term: **15 Years**

(57) **CLAIM**

(21) Appl. No.: **29/682,955**

The ornamental design for a foldable knife, as shown as described.

(22) Filed: **Mar. 8, 2019**

DESCRIPTION

(51) **LOC (11) Cl.** **08-03**

FIG. 1 is a top perspective view of a design for a foldable knife, showing my new design.

(52) **U.S. Cl.**

FIG. 2 is a bottom perspective view of the foldable knife of FIG. 1.

USPC **D8/100**; D8/105

(58) **Field of Classification Search**

USPC D8/21, 22, 98, 99, 100, 105; D22/118

CPC B26B 1/00; B26B 1/02; B26B 1/04; B26B

1/042; B26B 1/044; B26B 1/10; B26B

5/00; B26B 5/006; B25F 1/00

See application file for complete search history.

FIG. 3 is a left elevation view of the foldable knife of FIG. 1 in a folded configuration.

FIG. 4 is a right elevation view of the foldable knife of FIG. 1 in a folded configuration.

FIG. 5 is a front elevation view of the foldable knife of FIG. 1 in a folded configuration.

FIG. 6 is a rear elevation view of the foldable knife of FIG. 1 in a folded configuration.

FIG. 7 is a top plan view of the foldable knife of FIG. 1 in a folded configuration.

FIG. 8 is a bottom plan view of the foldable knife of FIG. 1 in a folded configuration.

FIG. 9 is a front elevation view of the foldable knife of FIG. 1 in an unfolded configuration.

FIG. 10 is a rear elevation view of the foldable knife of FIG. 1 in an unfolded configuration.

FIG. 11 is a top plan view of the foldable knife of FIG. 1 in an unfolded configuration; and,

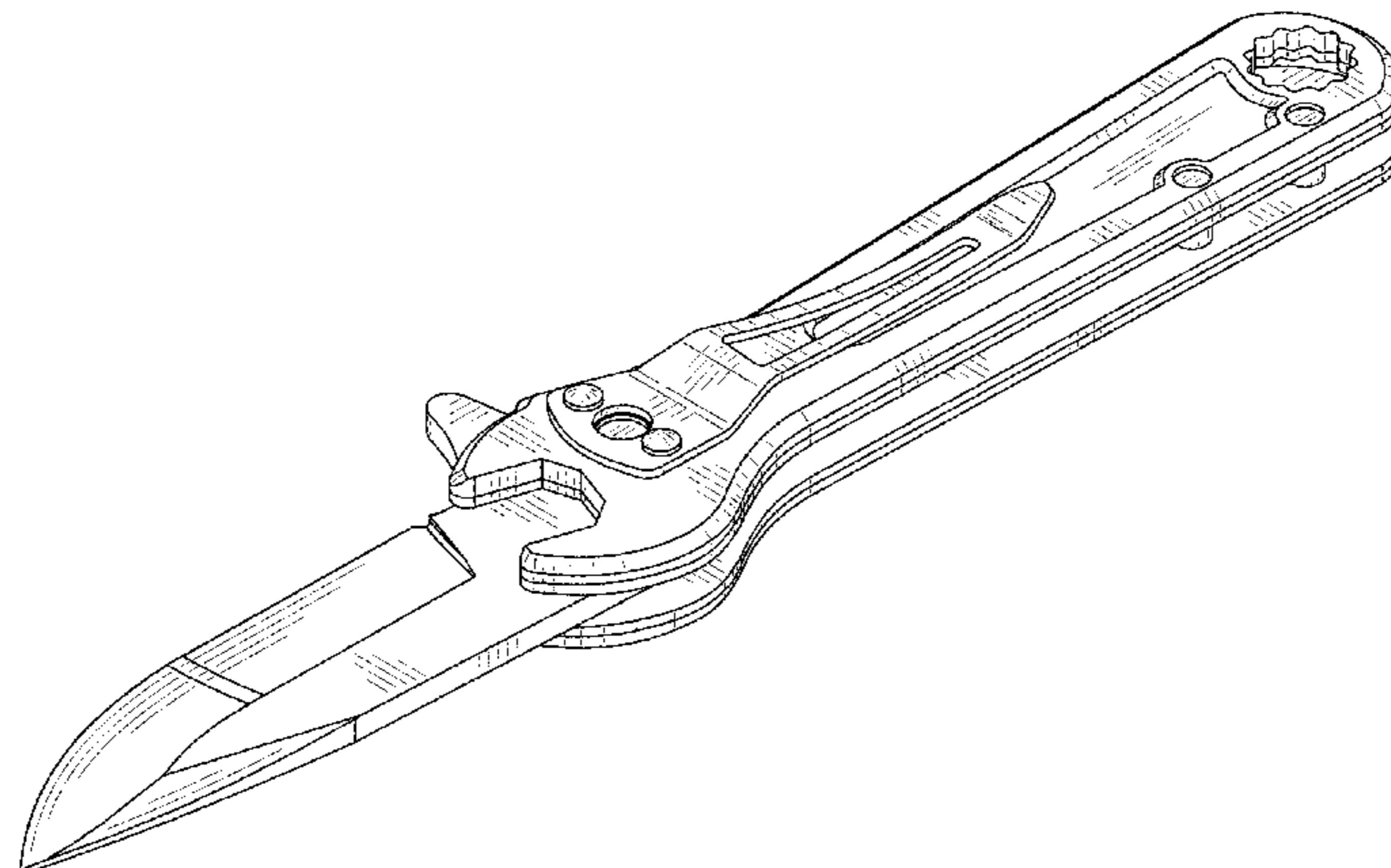
FIG. 12 is a bottom plan view of the foldable knife of FIG. 1 in an unfolded configuration.

(56) **References Cited**

U.S. PATENT DOCUMENTS

D175,853 S	10/1955	Polk	
4,122,569 A *	10/1978	Hitchcock B25F 1/003 7/134
D338,386 S *	8/1993	Frazer D8/105
D371,498 S *	7/1996	Lai D8/105
D422,875 S *	4/2000	Beck D8/105
D455,939 S *	4/2002	Allen D8/22
D468,987 S *	1/2003	Dreyfus D8/105
D576,002 S *	9/2008	Barber D8/105
D588,885 S *	3/2009	Barber D8/105
D678,456 S	3/2013	Carson	
D739,698 S *	9/2015	Glesser D8/105
D756,193 S *	5/2016	Horvath D8/99
D832,073 S	10/2018	Lee	

1 Claim, 6 Drawing Sheets



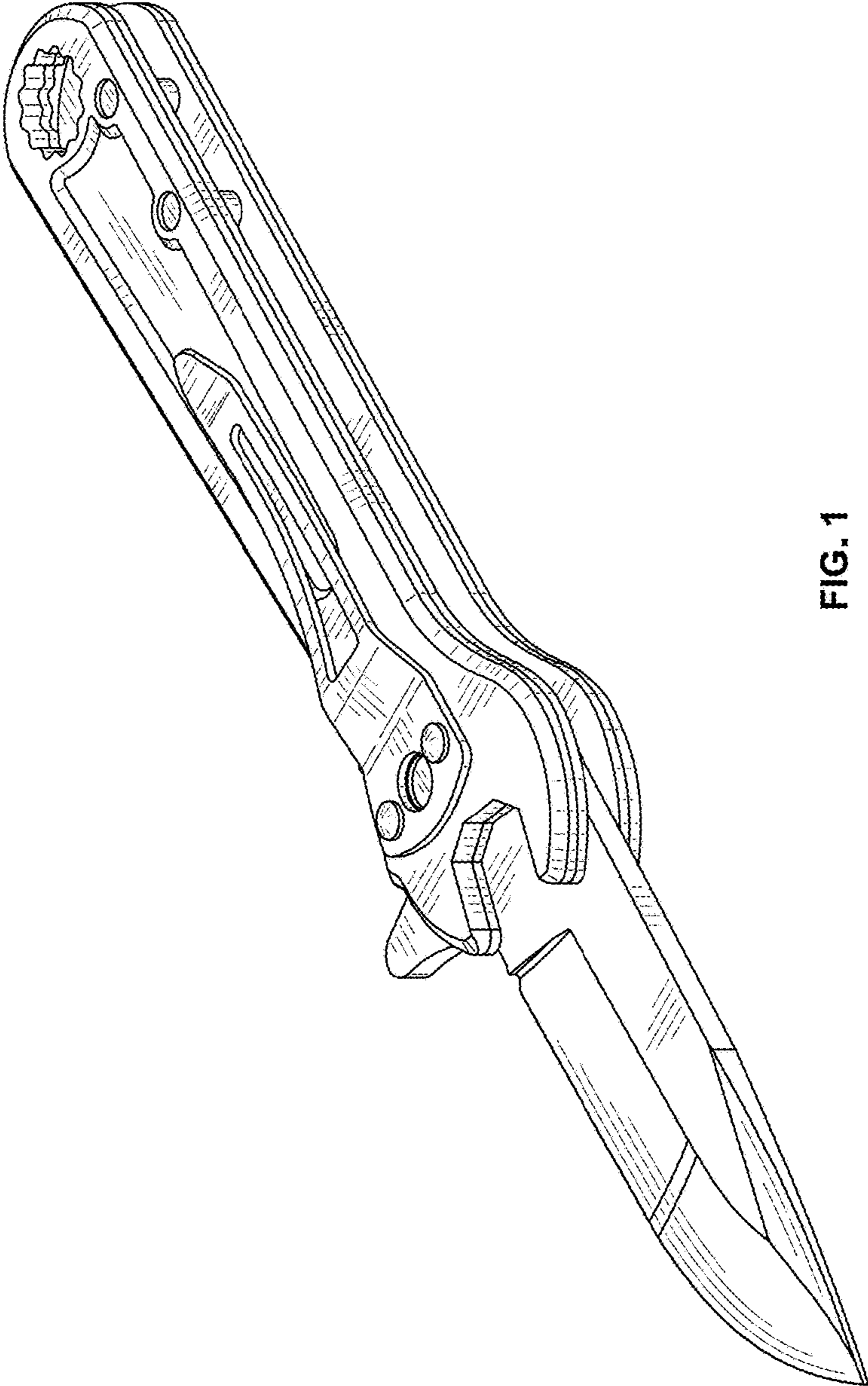


FIG. 1

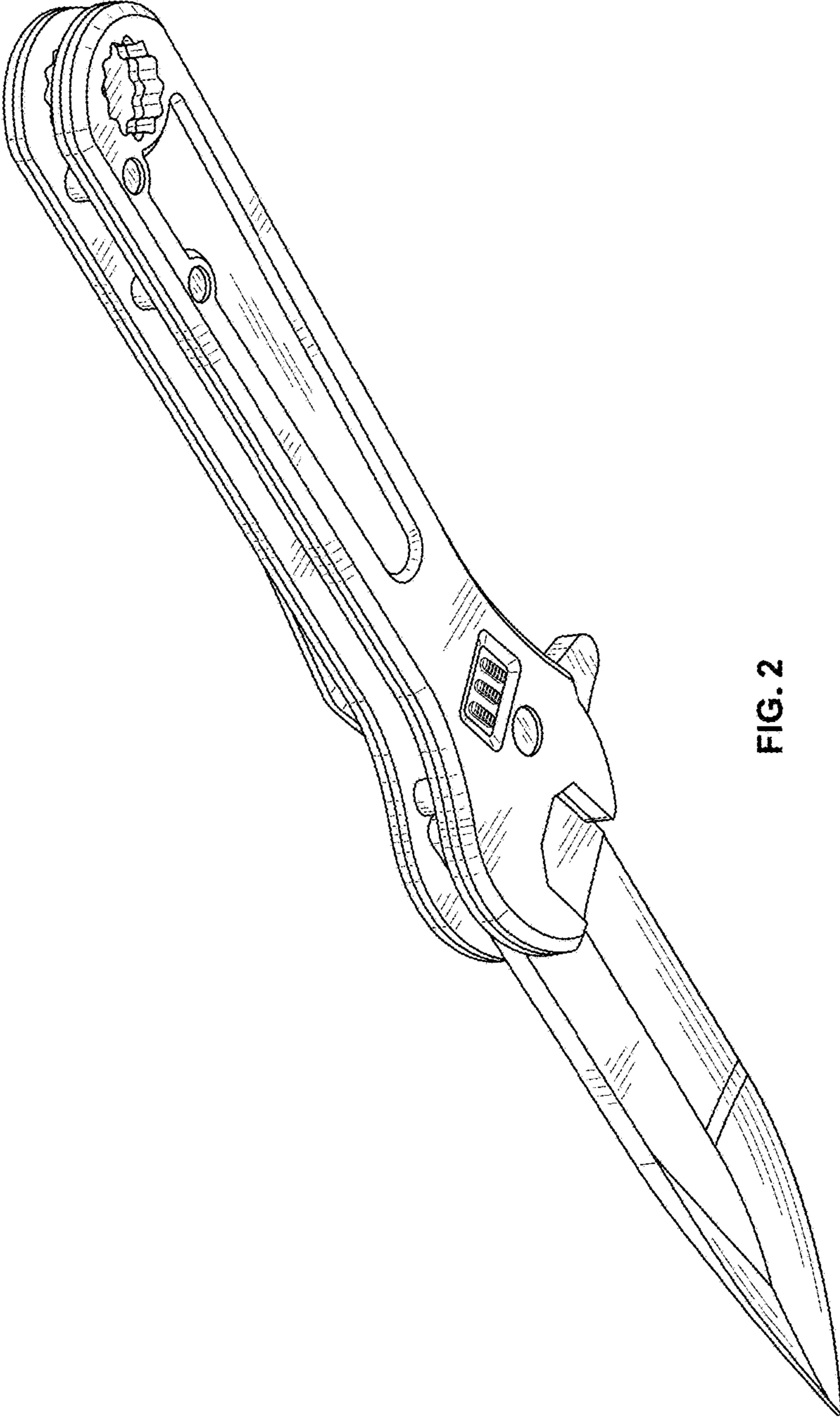


FIG. 2

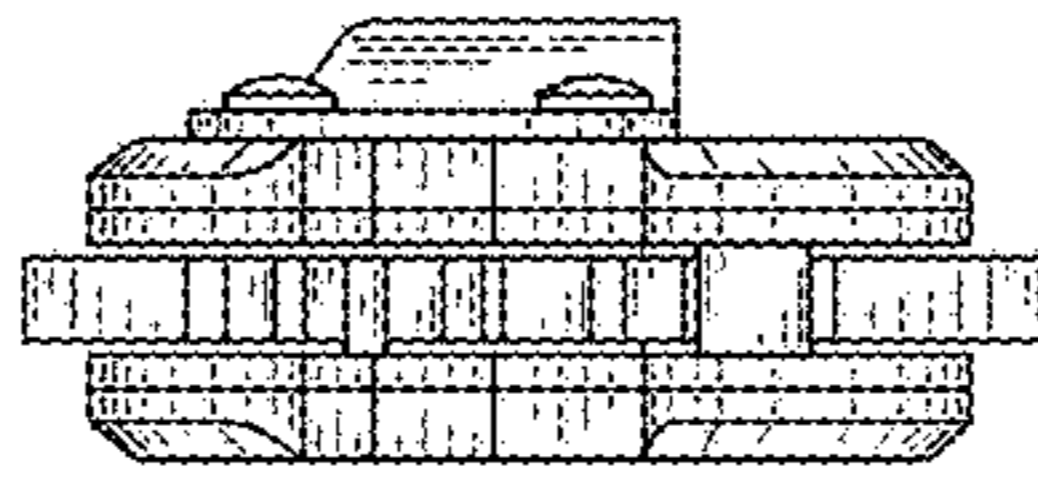


FIG. 3

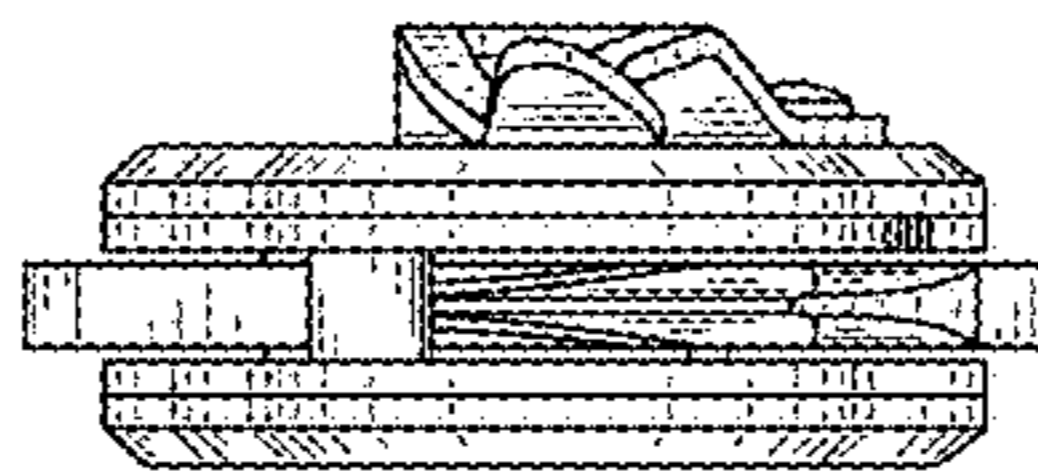


FIG. 4

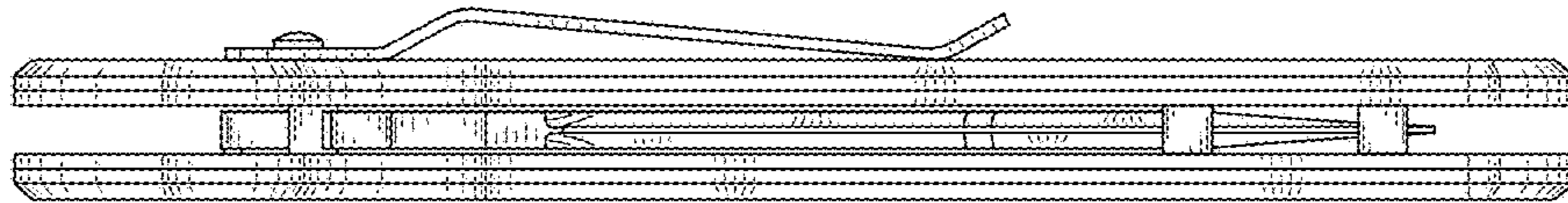


FIG. 5

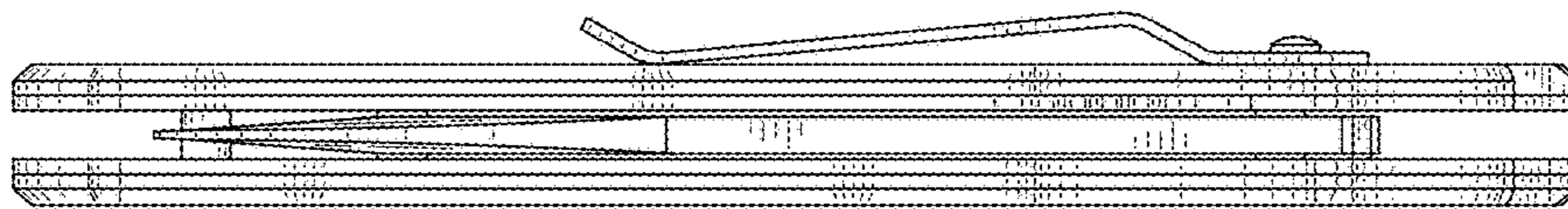


FIG. 6

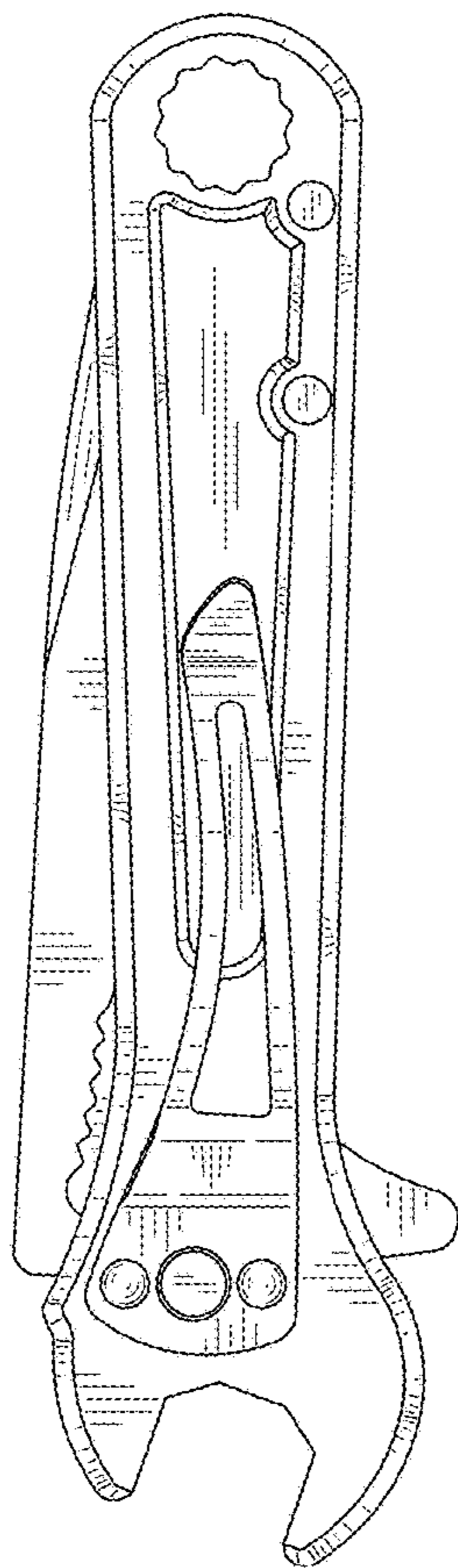


FIG. 7

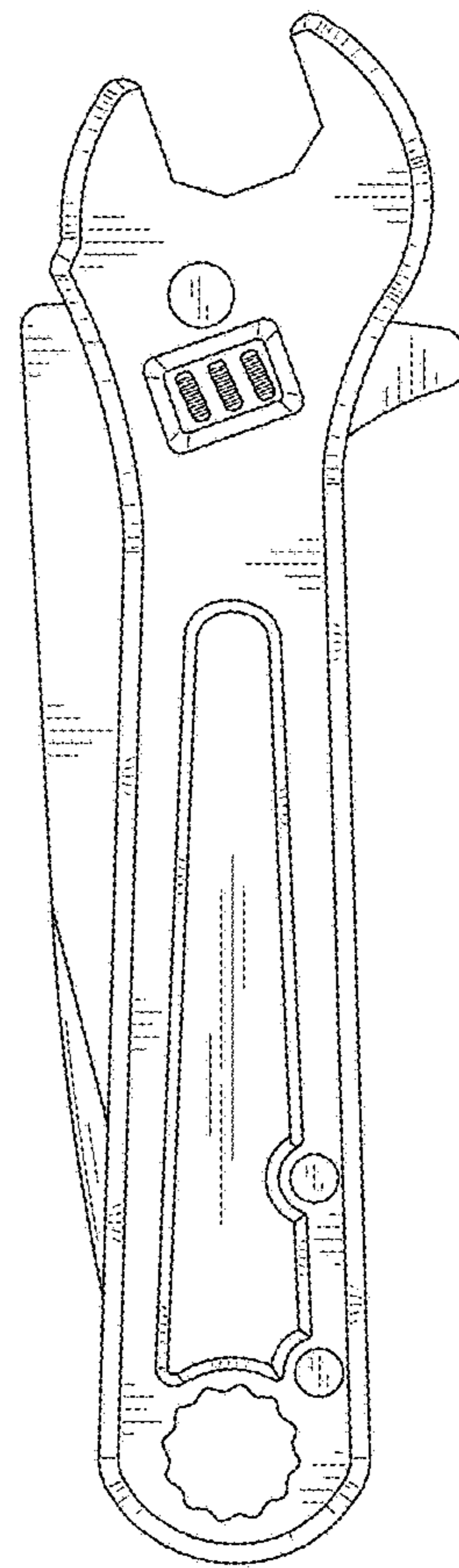


FIG. 8

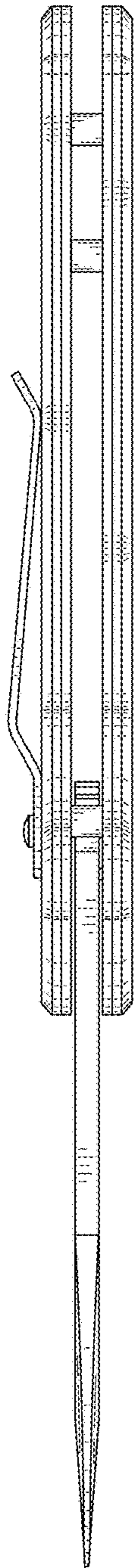


FIG. 9

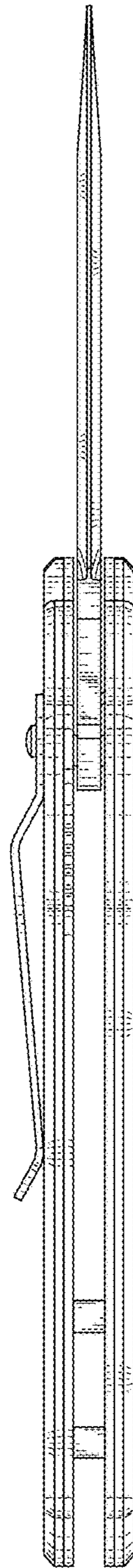


FIG. 10

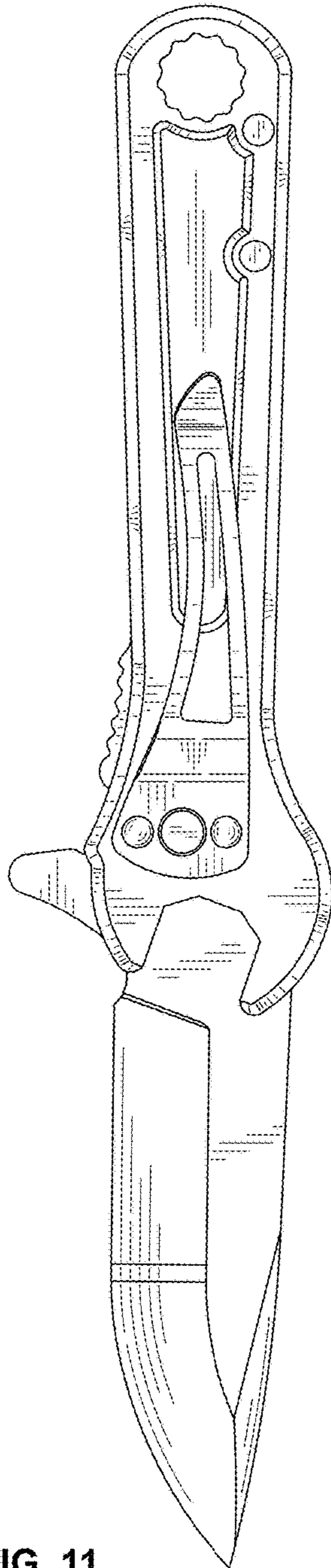


FIG. 11

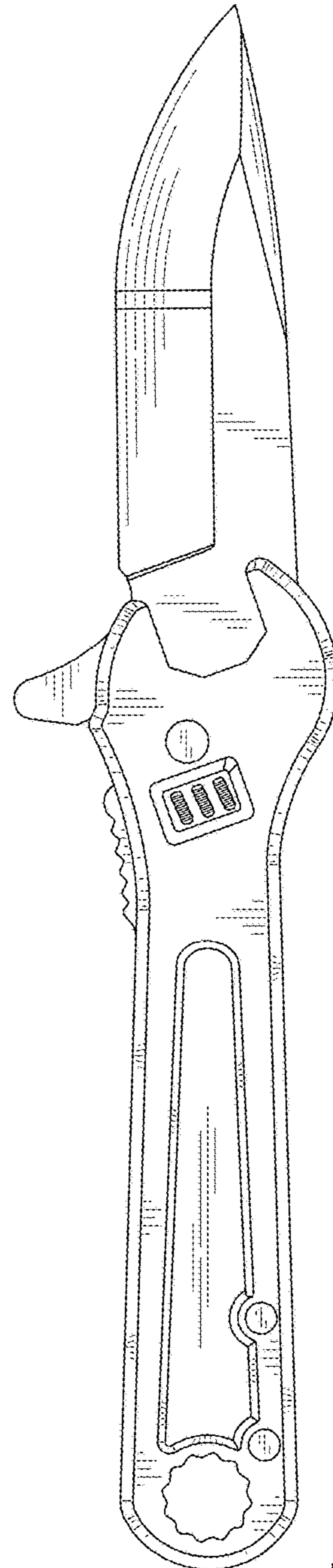


FIG. 12