

US00D852019S

(12) **United States Design Patent**
Thomsen

(10) **Patent No.:** **US D852,019 S**
(45) **Date of Patent:** **** *Jun. 25, 2019**

- (54) **UTILITY KNIFE**
- (71) Applicant: **Amalgam LLC**, Portland, OR (US)
- (72) Inventor: **Alex A. Thomsen**, Portland, OR (US)
- (73) Assignee: **Amalgam LLC**, Portland, OR (US)
- (*) Notice: This patent is subject to a terminal disclaimer.
- (**) Term: **15 Years**
- (21) Appl. No.: **29/623,641**
- (22) Filed: **Oct. 26, 2017**

3,406,447 A	10/1968	Travlos	
D248,538 S *	7/1978	Richards	D8/99
4,570,342 A	2/1986	Baum	
D309,090 S *	7/1990	Schmidt	D8/99
5,054,198 A	10/1991	Gmoch	
D328,229 S	7/1992	Gmoch	
5,258,001 A *	11/1993	Corman	A61B 17/3211 30/162
6,070,326 A *	6/2000	Berns	B26B 29/02 30/2
D430,476 S *	9/2000	Thompson	D8/45
6,254,621 B1 *	7/2001	Shackelford	A61B 17/3213 30/162
D497,301 S	10/2004	Kondo et al.	
D540,138 S *	4/2007	Kan	D8/99

(Continued)

Primary Examiner — Philip S Hyder
(74) *Attorney, Agent, or Firm* — Dascenzo Intellectual Property Law, P.C.

Related U.S. Application Data

- (63) Continuation of application No. 29/584,000, filed on Nov. 10, 2016, now Pat. No. Des. 804,273.
- (51) **LOC (11) Cl.** **08-03**
- (52) **U.S. Cl.**
USPC **D8/99**
- (58) **Field of Classification Search**
USPC D8/14, 17, 18, 21, 98, 99, 105; D22/118;
30/162
CPC B26B 3/06; B26B 1/08; B26B 1/10; B26B
5/00; B26B 5/001; B26B 5/003; B26B
5/005; B26B 5/006
See application file for complete search history.

(57) **CLAIM**

The ornamental design for a utility knife, as shown and described.

DESCRIPTION

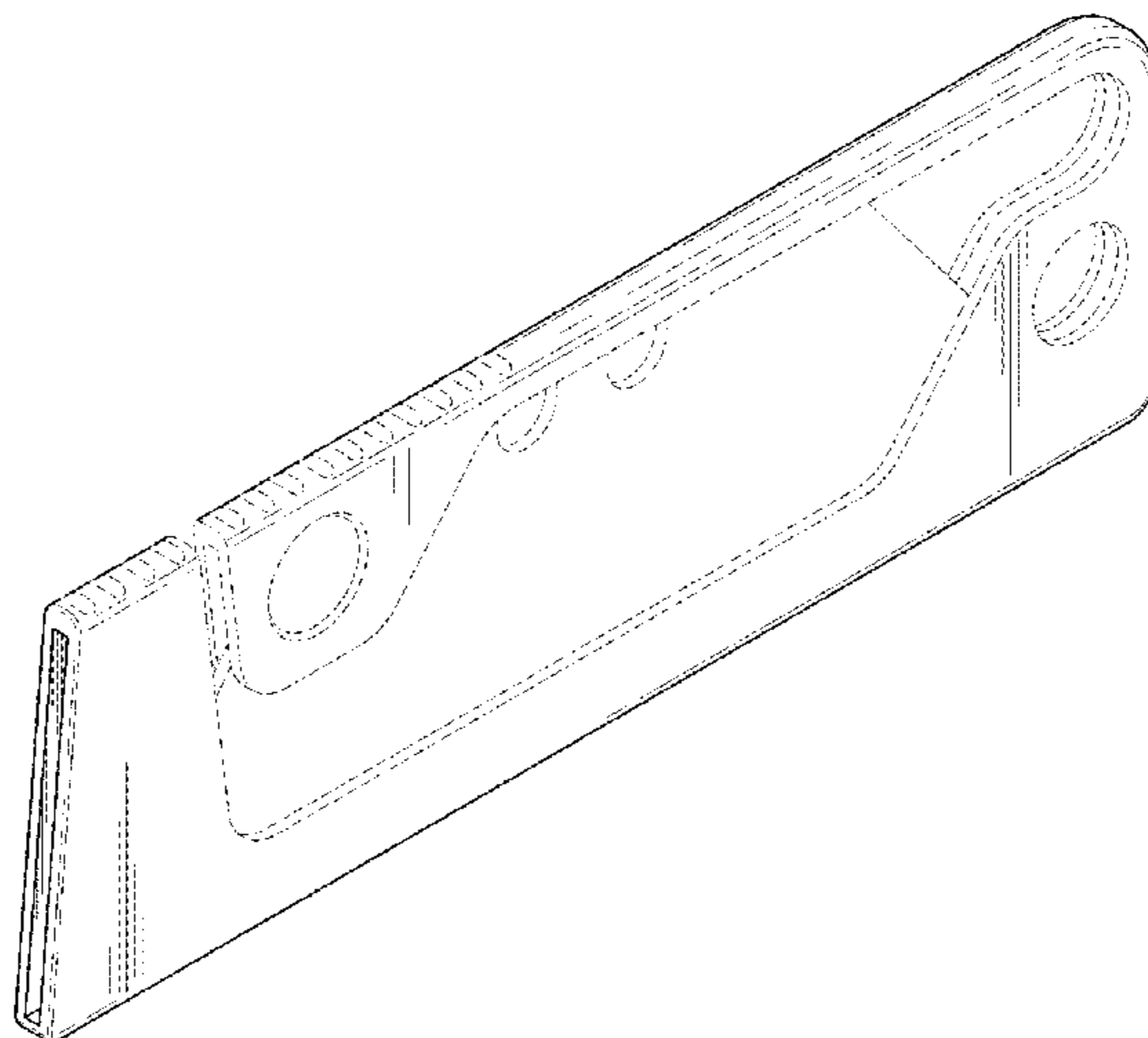
FIG. 1 is a top perspective view showing the new design with the blade in a stowed position;
 FIG. 2 is a bottom perspective view thereof;
 FIG. 3 is a side view thereof;
 FIG. 4 is a top view thereof;
 FIG. 5 is a bottom view thereof;
 FIG. 6 is an end view thereof;
 FIG. 7 is another end view thereof;
 FIG. 8 is another side view thereof;
 FIG. 9 is a side view thereof with the blade in a first deployed position; and,
 FIG. 10 is a side view thereof with the blade in a second deployed position.
 The broken lines shown in the drawings represent portions of the utility knife that form no part of the claimed design.

(56) **References Cited**

U.S. PATENT DOCUMENTS

1,496,927 A	6/1924	Evers	
2,640,260 A *	6/1953	Taylor	B26B 1/08 30/162
2,683,309 A *	7/1954	Unsinger	B26B 27/00 30/163
2,870,537 A *	1/1959	Ortner	B26B 5/001 30/162

1 Claim, 4 Drawing Sheets



(56)

References Cited

U.S. PATENT DOCUMENTS

D608,948	S *	1/2010	Wittke-Kothe	D28/59
D634,249	S *	3/2011	Dallaire	D12/186
D743,236	S	11/2015	Fischer	
D782,892	S	4/2017	Fischer	
D790,313	S	6/2017	Watanabe	
2008/0250650	A1	10/2008	Seber et al.	
2011/0083294	A1 *	4/2011	Stroup	B08B 1/008 15/236.01

* cited by examiner

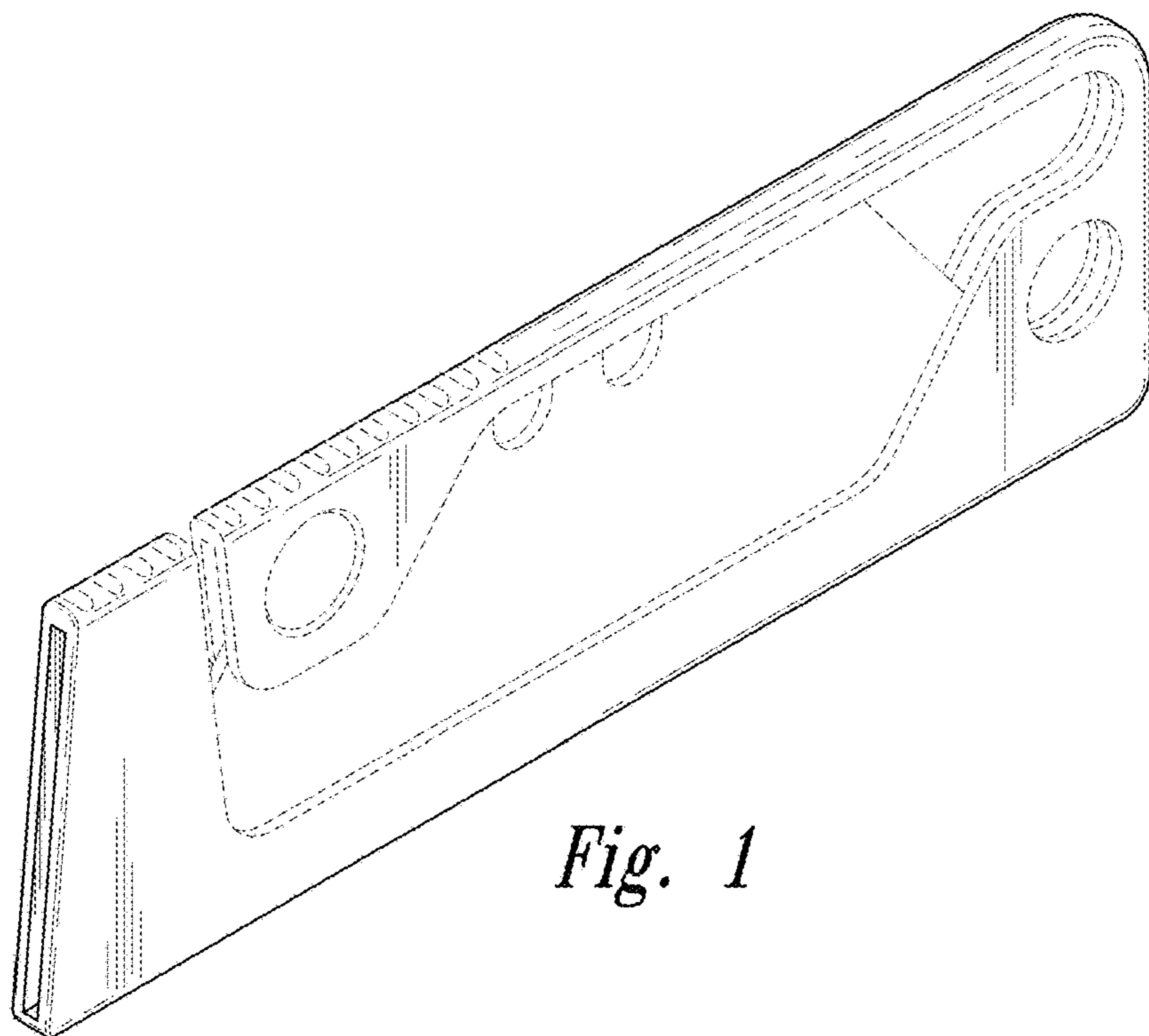


Fig. 1

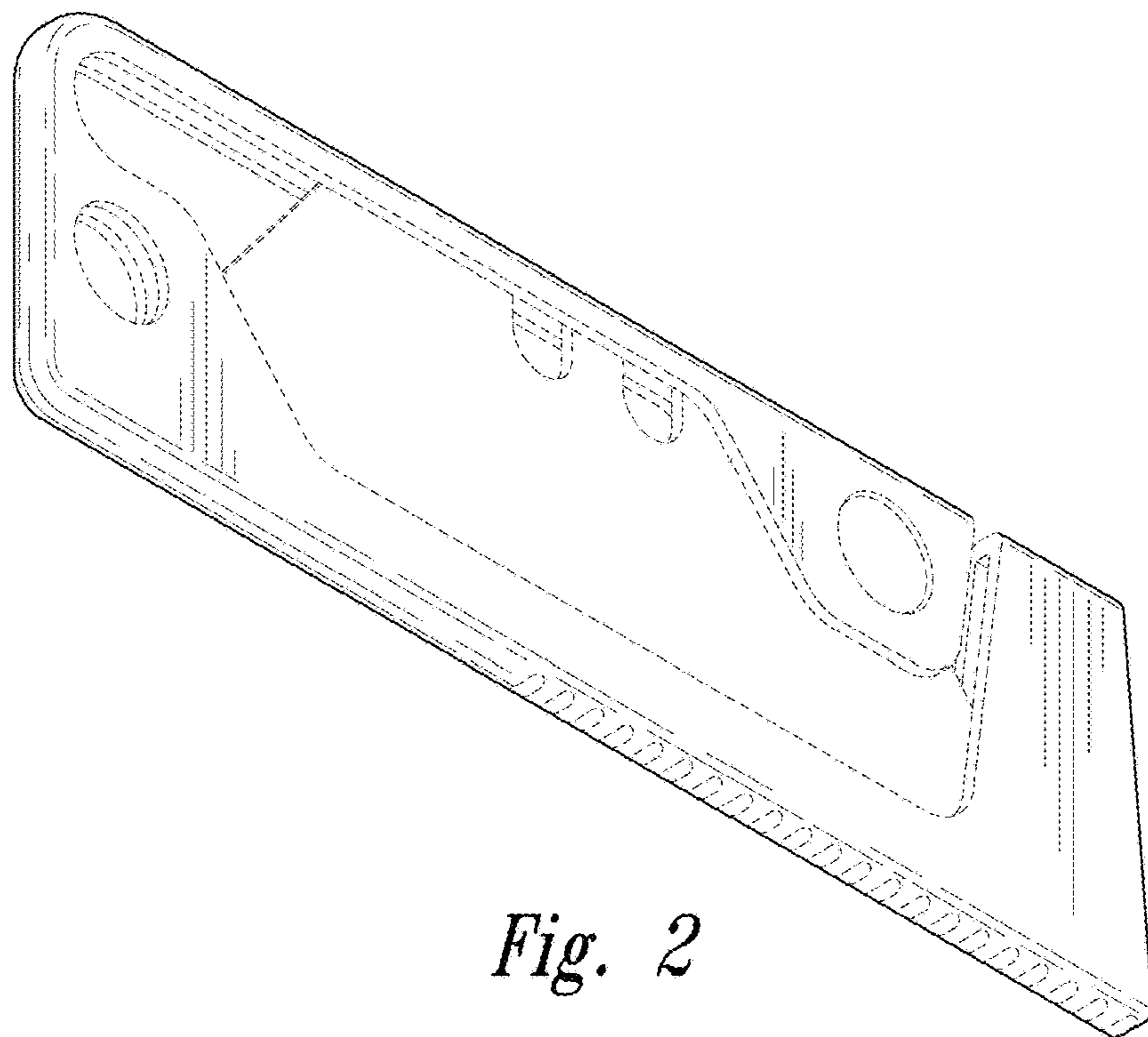


Fig. 2

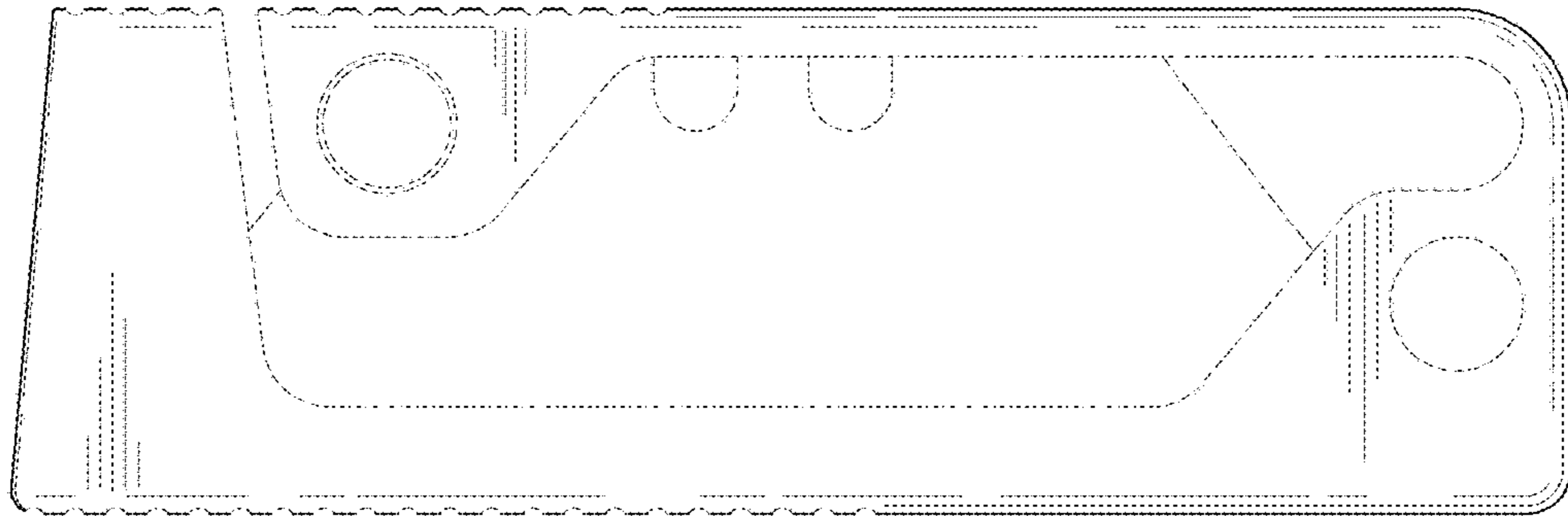


Fig. 3



Fig. 4

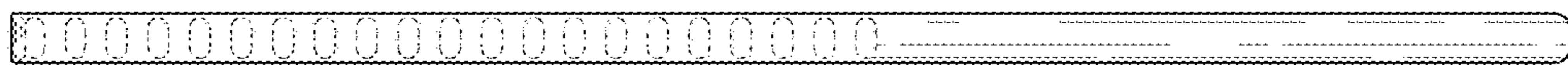


Fig. 5

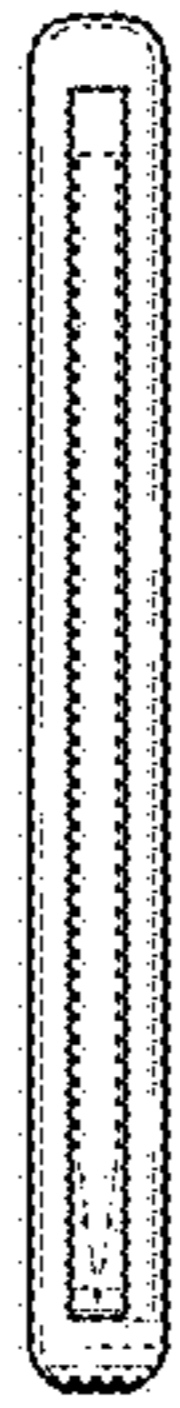


Fig. 6

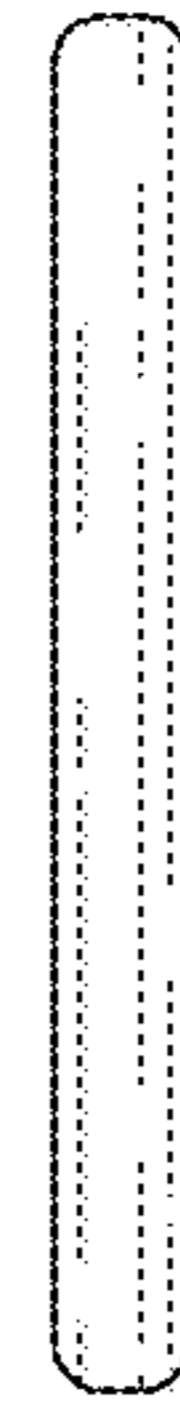


Fig. 7

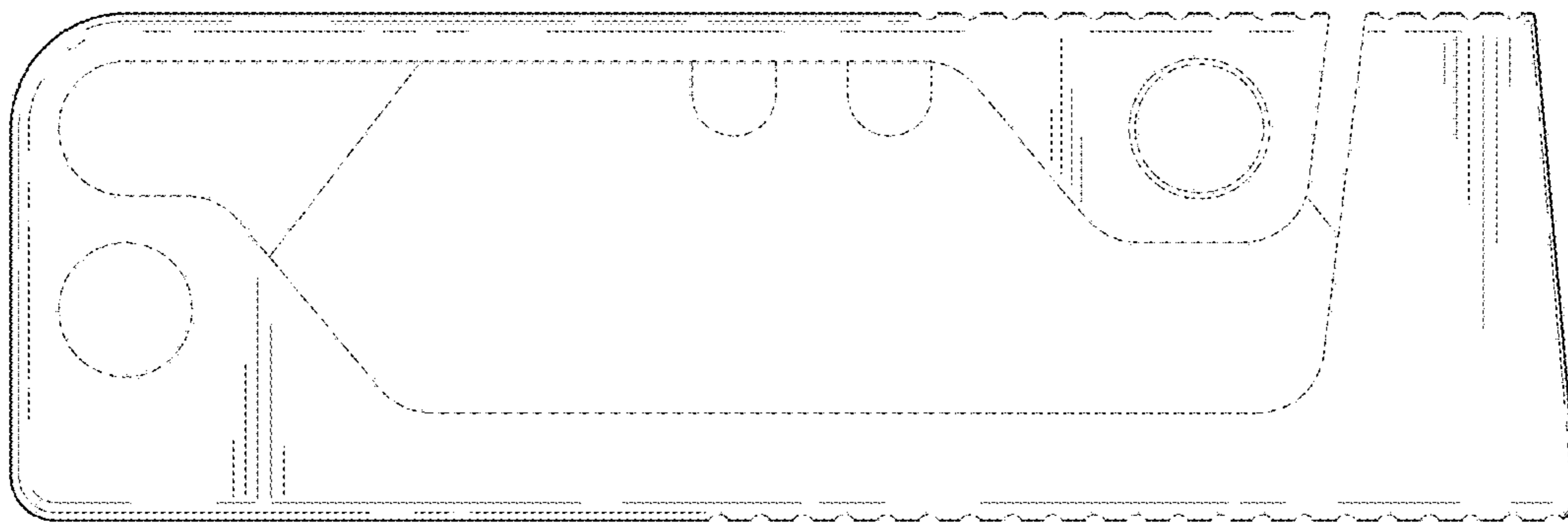


Fig. 8

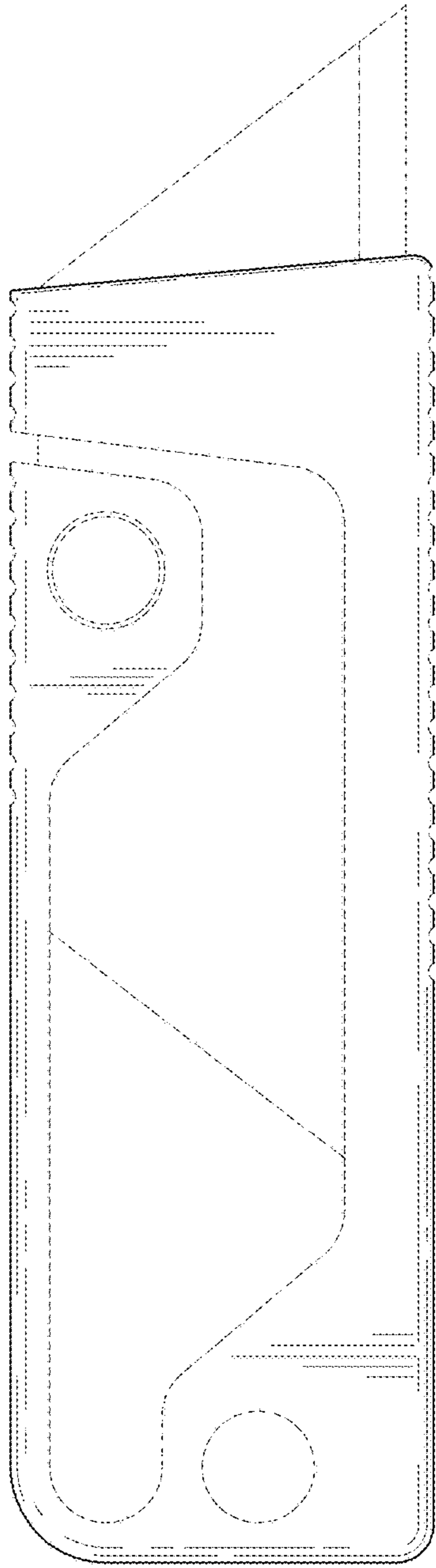


Fig. 9

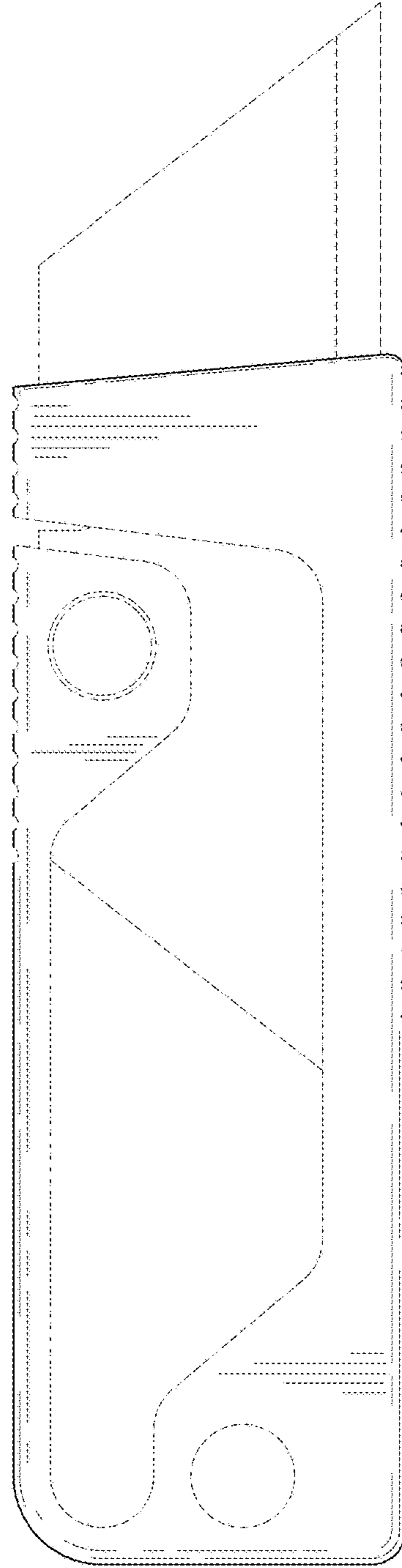


Fig. 10