



US00D852018S

(12) **United States Design Patent**
Hung

(10) **Patent No.:** **US D852,018 S**

(45) **Date of Patent:** **** *Jun. 25, 2019**

- (54) **NAIL PULLER**
- (71) Applicant: **LU KANG HAND TOOLS INDUSTRIAL CO., LTD.**, Chunghwa Hsien (TW)
- (72) Inventor: **Yi-Kung Hung**, Chunghwa Hsien (TW)
- (73) Assignee: **LU KANG HAND TOOLS INDUSTRIAL CO., LTD.**, Chunghwa Hsien (TW)

D577,274 S *	9/2008	Chen	D8/81
D577,978 S *	10/2008	Chen	D8/81
D579,292 S *	10/2008	Hanlon	B25F 1/00 D8/27
8,177,191 B2 *	5/2012	Liou	B25F 1/00 254/115
D737,650 S *	9/2015	Allen	B66F 15/00 D8/105
D752,940 S *	4/2016	Deng	D8/81
9,415,495 B1 *	8/2016	Spaulding	B25C 11/00
D821,841 S *	7/2018	Honadel	D8/81
2012/0110745 A1 *	5/2012	Hanlon	B25C 11/00 7/138
2015/0014612 A1 *	1/2015	Liou	B25C 11/00 254/26 R
2015/0158163 A1 *	6/2015	Chen	B25C 11/00 254/25

(*) Notice: This patent is subject to a terminal disclaimer.

(**) Term: **15 Years**

* cited by examiner

(21) Appl. No.: **29/609,182**

Primary Examiner — Philip S Hyder

(22) Filed: **Jun. 28, 2017**

(74) *Attorney, Agent, or Firm* — Pai Patent & Trademark Law Firm; Chao-Chang David Pai

(51) **LOC (11) Cl.** **08-05**

(52) **U.S. Cl.**
USPC **D8/89; D8/81**

(57) **CLAIM**

The ornamental design for a nail puller, as shown.

(58) **Field of Classification Search**
USPC D8/14, 75, 78, 81, 88, 89, 105
CPC ... B25F 1/00; B25C 11/00; B25D 1/04; B66F 15/00
See application file for complete search history.

DESCRIPTION

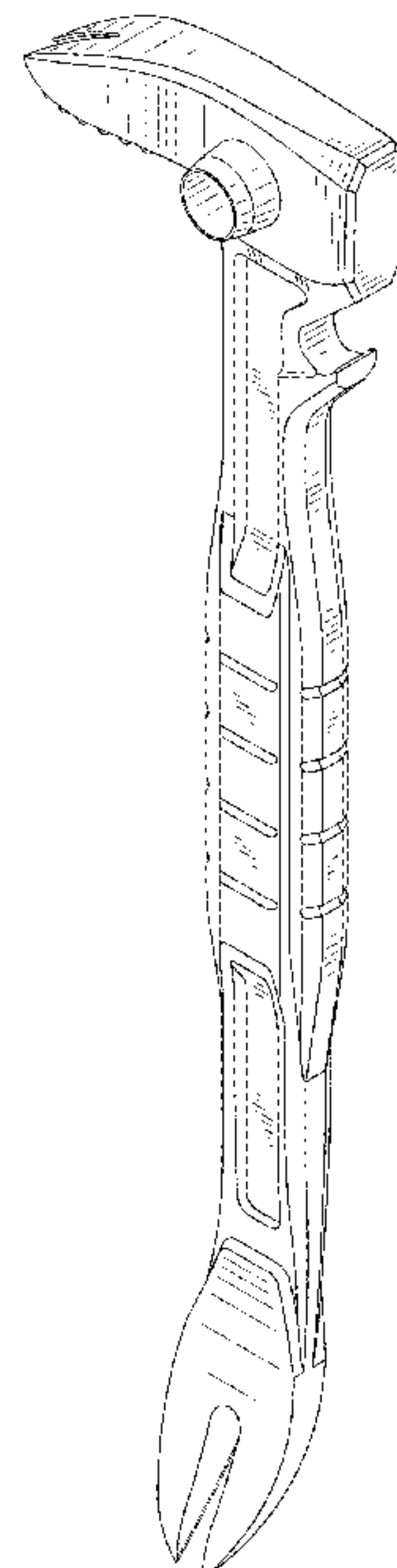
FIG. 1 is a front perspective view of a nail puller, showing my new design;
FIG. 2 is a rear perspective view thereof;
FIG. 3 is a front view thereof;
FIG. 4 is a rear view thereof;
FIG. 5 is a left side view thereof;
FIG. 6 is a right side view thereof;
FIG. 7 is a top view thereof; and,
FIG. 8 is a bottom view thereof.

(56) **References Cited**

U.S. PATENT DOCUMENTS

D164,705 S *	10/1951	Moses	254/131
6,629,684 B2 *	10/2003	Youngren	B25C 11/00 254/18
D498,402 S *	11/2004	Hung	D8/75
D499,322 S *	12/2004	Hung	D8/75

1 Claim, 8 Drawing Sheets



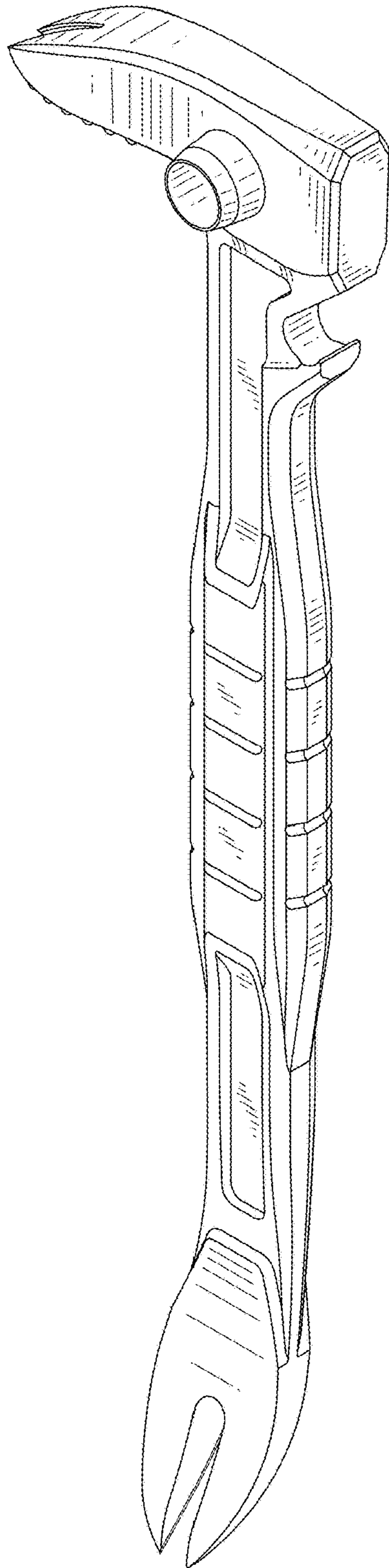


FIG.1

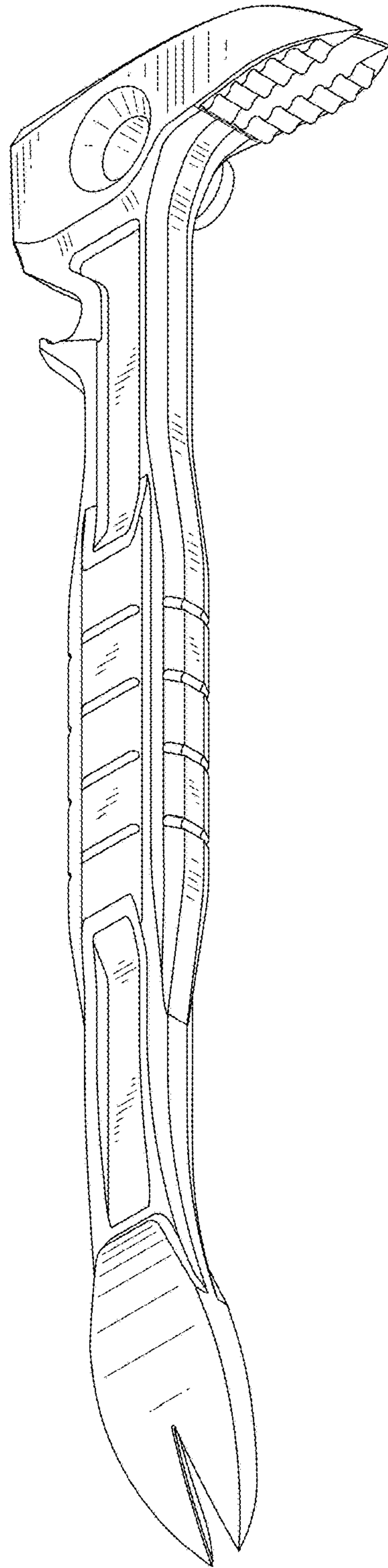


FIG.2

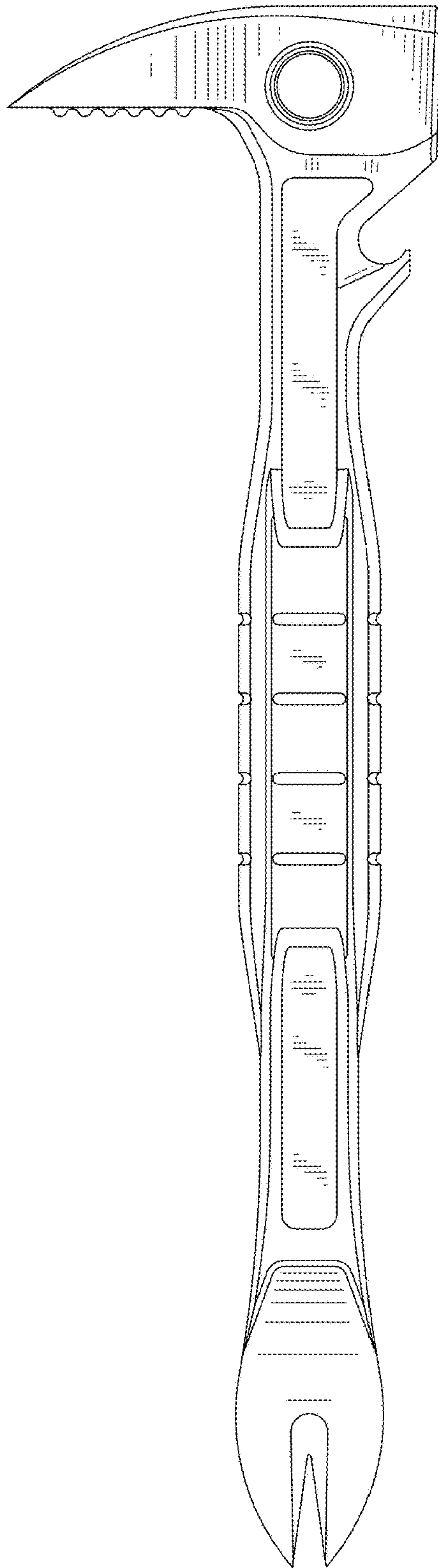


FIG.3

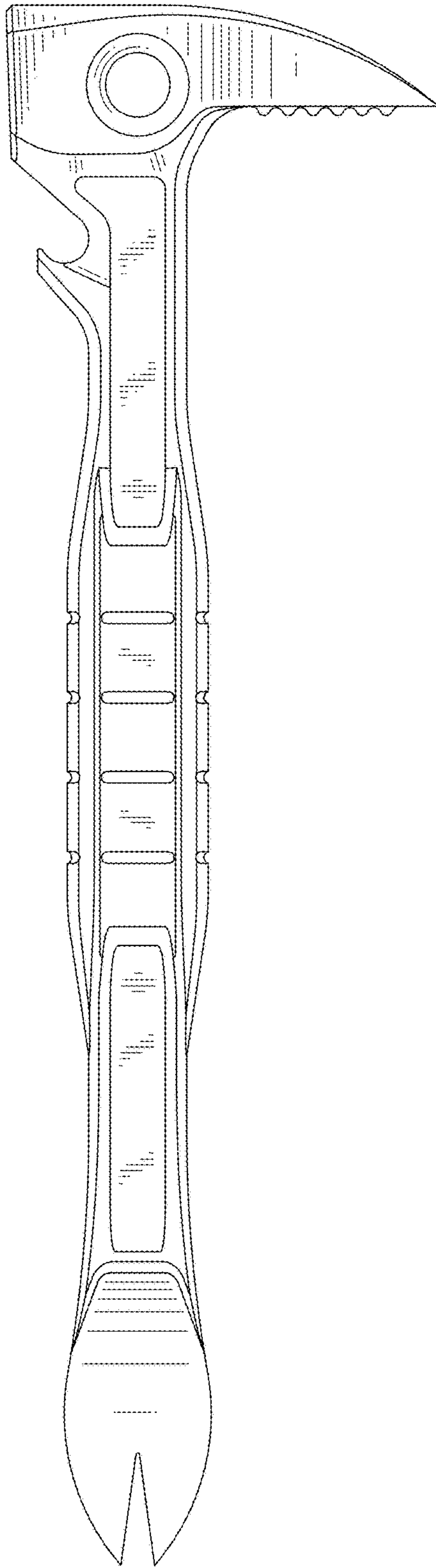


FIG.4

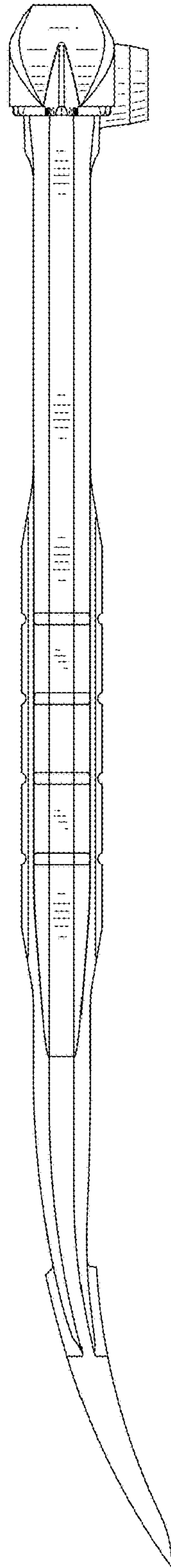


FIG.5

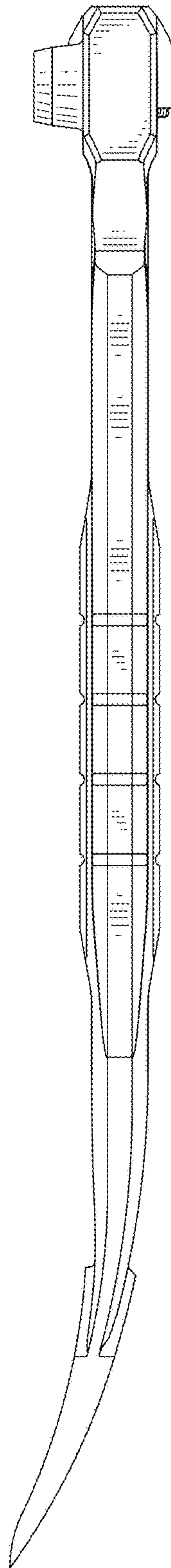


FIG.6

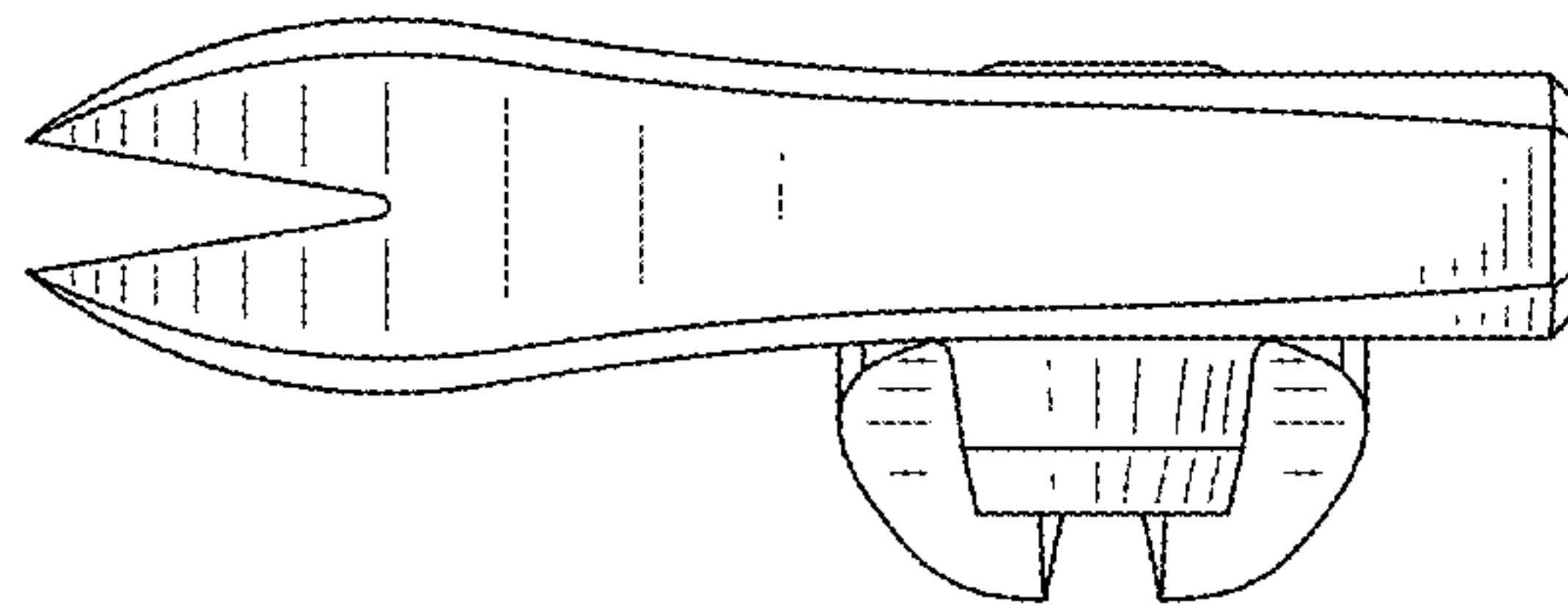


FIG. 7

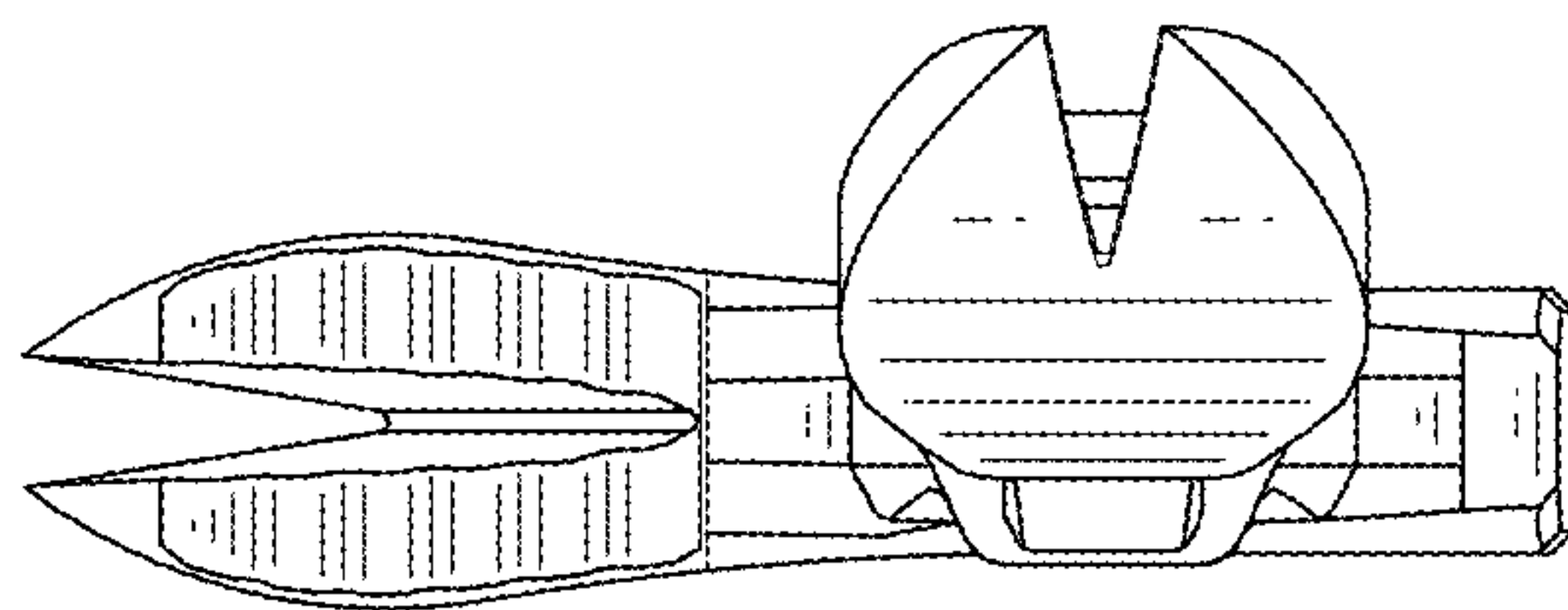


FIG.8