



US00D852017S

(12) **United States Design Patent** (10) **Patent No.:** **US D852,017 S**
Kao (45) **Date of Patent:** **** Jun. 25, 2019**

(54) **POSITIONING BOARD OF A FRAME FOR HOLDING HAND TOOLS**

(71) Applicant: **Jui-Chien Kao**, Taichung (TW)

(72) Inventor: **Jui-Chien Kao**, Taichung (TW)

(**) Term: **15 Years**

(21) Appl. No.: **29/562,846**

(22) Filed: **Apr. 29, 2016**

(51) **LOC (11) Cl.** **08-05**

(52) **U.S. Cl.**
USPC **D8/71**

(58) **Field of Classification Search**
USPC 3/312; 8/14, 71, 349, 354, 377; 15/138
CPC ... B25H 3/00; B25H 3/04; B25H 3/06; B25H 3/003; B25H 3/006

See application file for complete search history.

(56) **References Cited**

U.S. PATENT DOCUMENTS

- 8,813,957 B1 * 8/2014 Kao B25H 3/003
206/378
- 9,522,467 B1 * 12/2016 Kao A47F 7/0028
- 9,538,862 B2 * 1/2017 Kao A47F 5/08
- D787,185 S * 5/2017 Hsieh D3/313
- 9,656,385 B1 * 5/2017 Kao B25H 3/04
- 9,662,781 B1 * 5/2017 Kao B25H 3/04
- 9,694,491 B1 * 7/2017 Kao B25H 3/003
- D803,566 S * 11/2017 Hsieh D3/312
- 9,821,451 B1 * 11/2017 Kao B25H 3/04

- 9,878,441 B1 * 1/2018 Kao B25H 3/06
- D812,444 S * 3/2018 Kao D8/71
- 9,925,657 B1 * 3/2018 Kao B25H 3/04
- D818,269 S * 5/2018 Kao D3/313
- 10,105,835 B1 * 10/2018 Kao B25H 3/04
- 2017/0259425 A1 * 9/2017 Kao B25H 3/003
- 2017/0312910 A1 * 11/2017 Kao B25H 3/04
- 2017/0361453 A1 * 12/2017 Kao B25H 3/003

* cited by examiner

Primary Examiner — Patricia A Palasik

(74) *Attorney, Agent, or Firm* — C. G. Mersereau; DeWitt LLP

(57) **CLAIM**

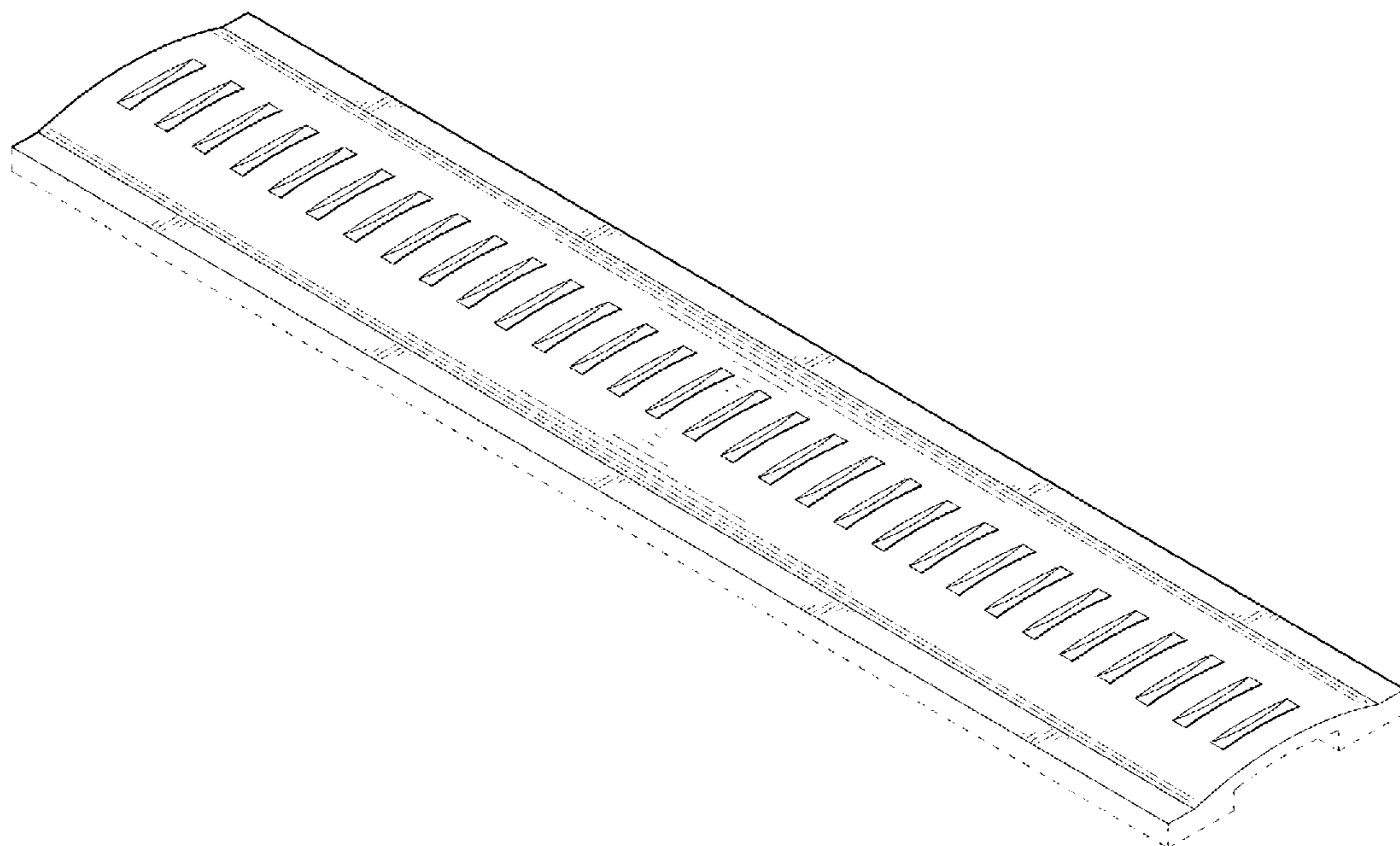
The ornamental design for a positioning board of a frame for holding hand tools, as shown and described.

DESCRIPTION

FIG. 1 is a perspective view of a positioning board of a frame for holding hand tools, showing my new design; FIG. 2 is a front view thereof; FIG. 3 is rear front view thereof; FIG. 4 is a left side view thereof; FIG. 5 is a right side view thereof; FIG. 6 is a top view thereof; and, FIG. 7 is a bottom view thereof.

The broken lines depict environmental subject matter, are for illustration only and form no part of the claimed design.

1 Claim, 7 Drawing Sheets



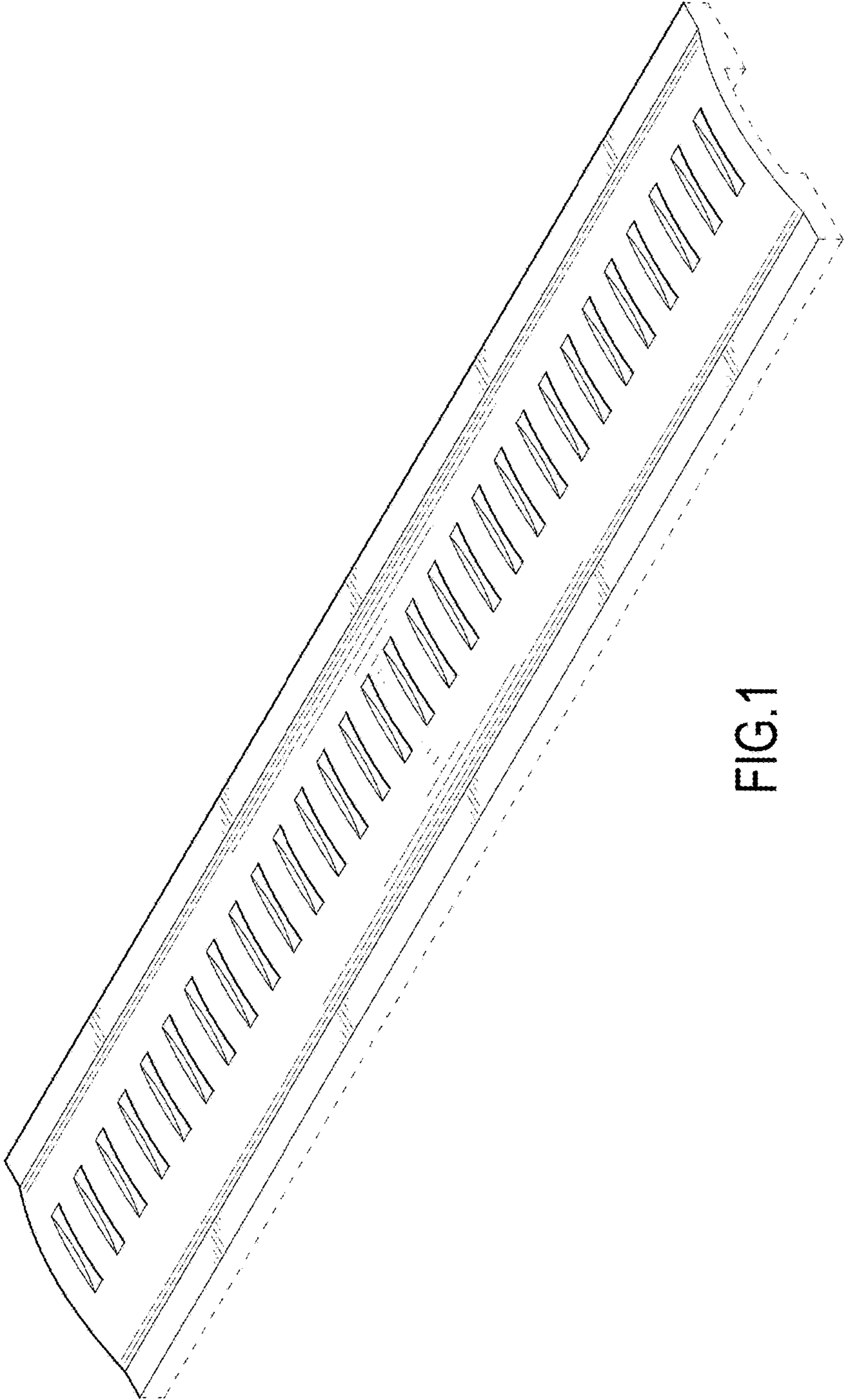


FIG. 1



FIG.2



FIG.3

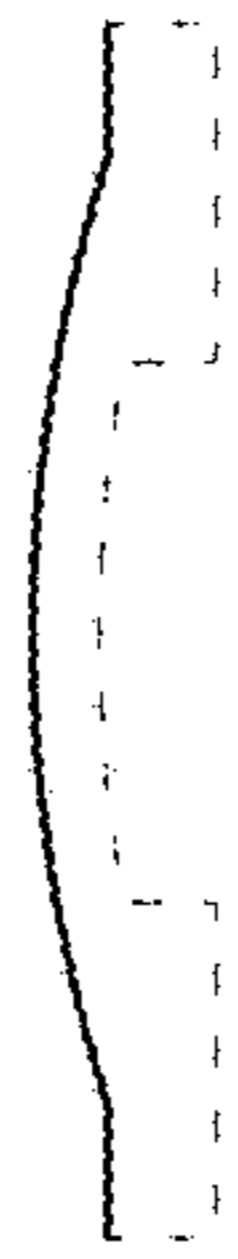


FIG.4

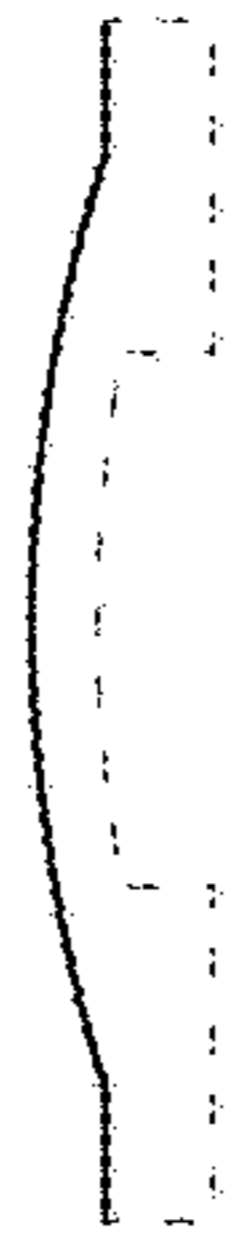


FIG.5

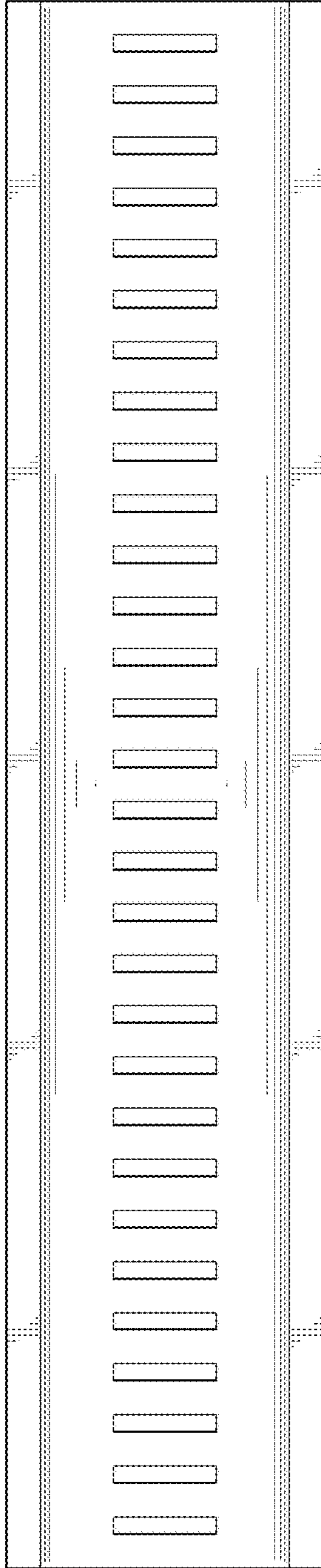


FIG.6

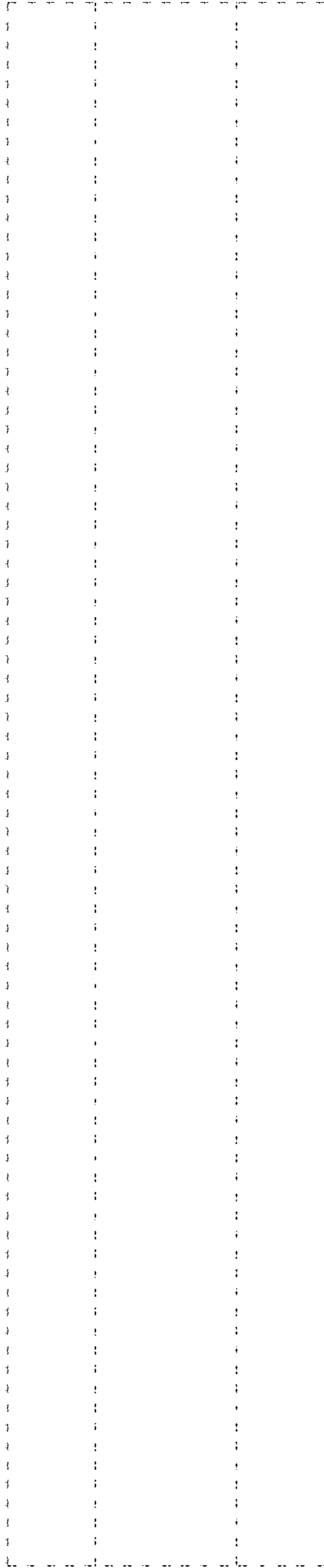


FIG.7