



US00D852015S

(12) **United States Design Patent**
Kirkpatrick et al.

(10) **Patent No.:** **US D852,015 S**
(45) **Date of Patent:** **** Jun. 25, 2019**

(54) CORDLESS NAILER	6,913,180 B2 * 7/2005 Schuster B25C 1/005 227/109
(71) Applicant: BLACK & DECKER INC. , New Britain, CT (US)	D512,622 S * 12/2005 Thomas D8/69 D553,931 S * 10/2007 Buck D8/68 7,284,685 B1 * 10/2007 Wojcicki B25C 1/005 227/119
(72) Inventors: Jonathan Kirkpatrick , Baldwin, MD (US); Micah L. Harrison , Abingdon, MD (US); Jessica Searfino , White Marsh, MD (US)	7,413,105 B1 * 8/2008 Ho B25C 1/001 227/120 7,516,532 B2 * 4/2009 Wojcicki B25C 1/005 227/109
(73) Assignee: Black & Decker, Inc. , New Britain, CT (US)	2006/0118591 A1 * 6/2006 Ho B25C 1/008 227/8 2009/0050668 A1 * 2/2009 Jian B25C 1/005 227/126

(**) Term: **15 Years**

* cited by examiner

(21) Appl. No.: **29/614,121**

Primary Examiner — Darlington Ly

(22) Filed: **Aug. 16, 2017**

(74) *Attorney, Agent, or Firm* — Rhonda L. Barton

(51) **LOC (11) Cl.** **08-05**

(52) **U.S. Cl.**
USPC **D8/68**

(58) **Field of Classification Search**
USPC D8/61–70
CPC .. B25C 1/001; B25C 1/04; B25C 1/06; B25C
1/041; B25C 1/047
See application file for complete search history.

(57) **CLAIM**

The ornamental design for a cordless nailer, as shown and described.

DESCRIPTION

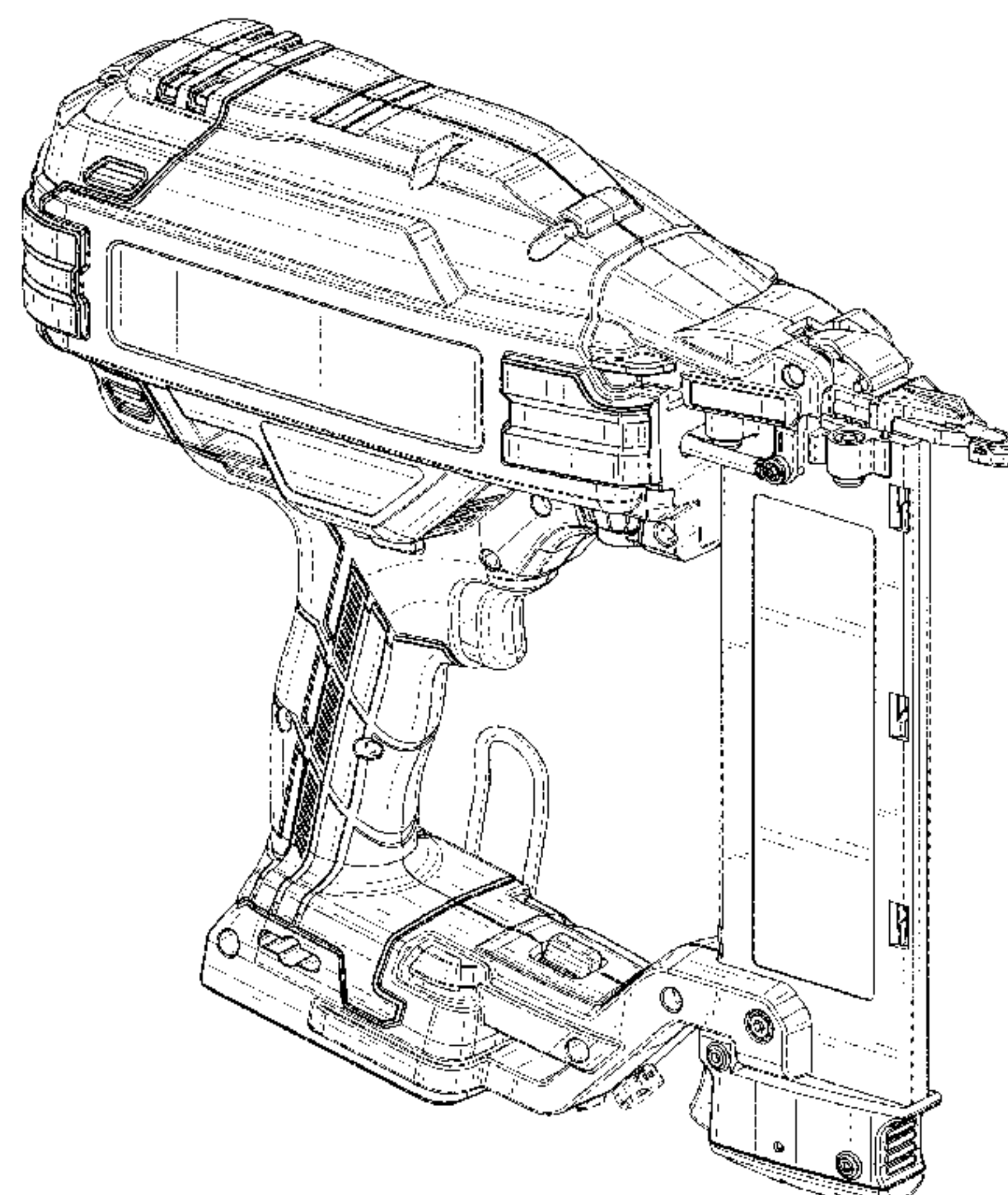
FIG. 1 is a top and left-side perspective view of a cordless nailer showing our new design;
FIG. 2 is a top and right-side perspective view thereof;
FIG. 3 is a front elevation view;
FIG. 4 is a rear elevation view thereof;
FIG. 5 is a left-side elevation view thereof;
FIG. 6 is a right-side elevation view thereof;
FIG. 7 is a top plan view thereof; and,
FIG. 8 is a bottom plan view thereof.
The broken lines shown in the drawings illustrate portions of the cordless nailer that form no part of the claimed design.

(56) **References Cited**

U.S. PATENT DOCUMENTS

6,045,024 A *	4/2000	Phillips	B25C 1/005 227/10
D435,769 S *	1/2001	Etter	D8/68
D475,597 S *	6/2003	Arai	D8/68
D478,490 S *	8/2003	Wu	D8/68
D479,110 S *	9/2003	Nolan	D8/68

1 Claim, 6 Drawing Sheets



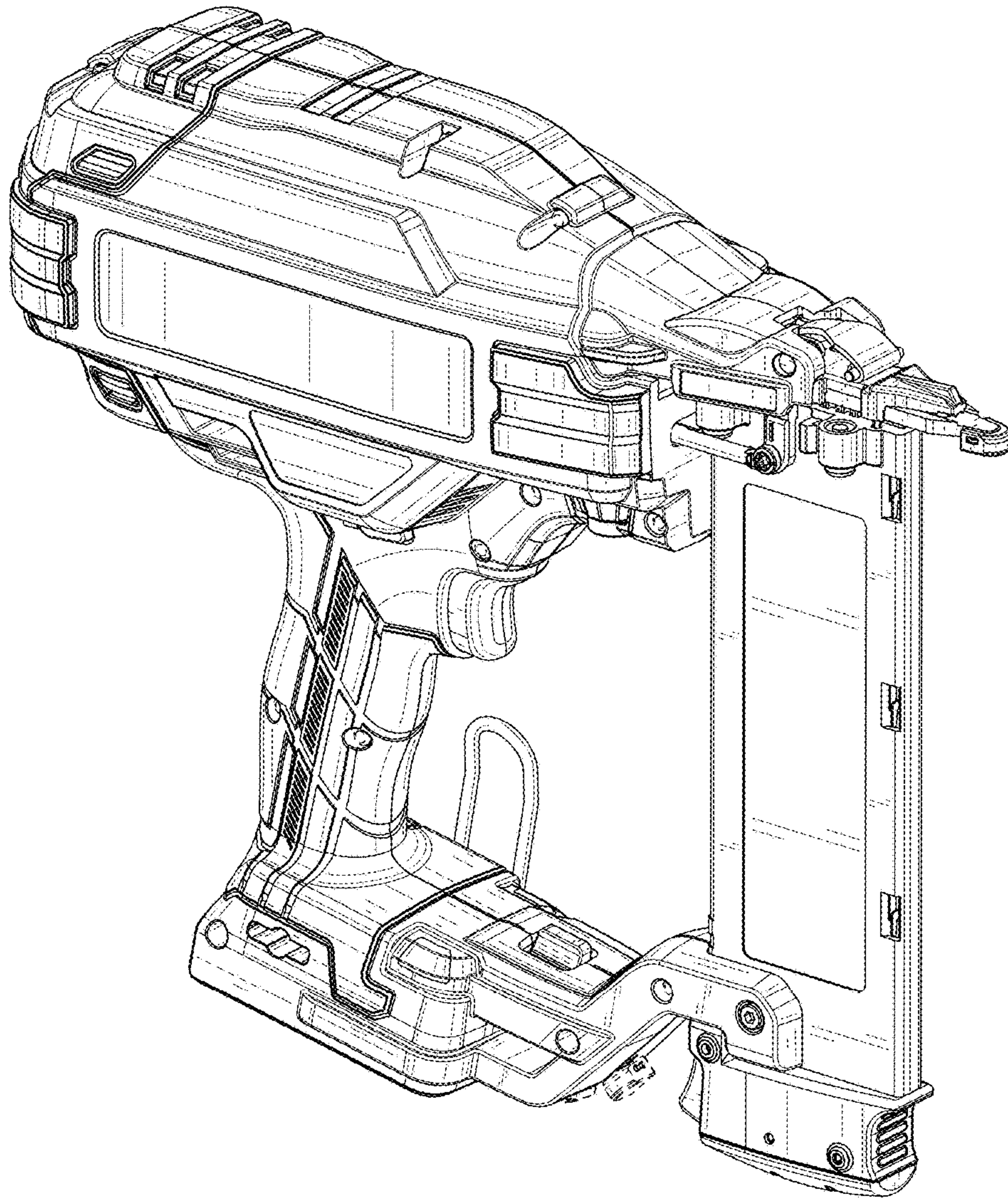


FIG. 1

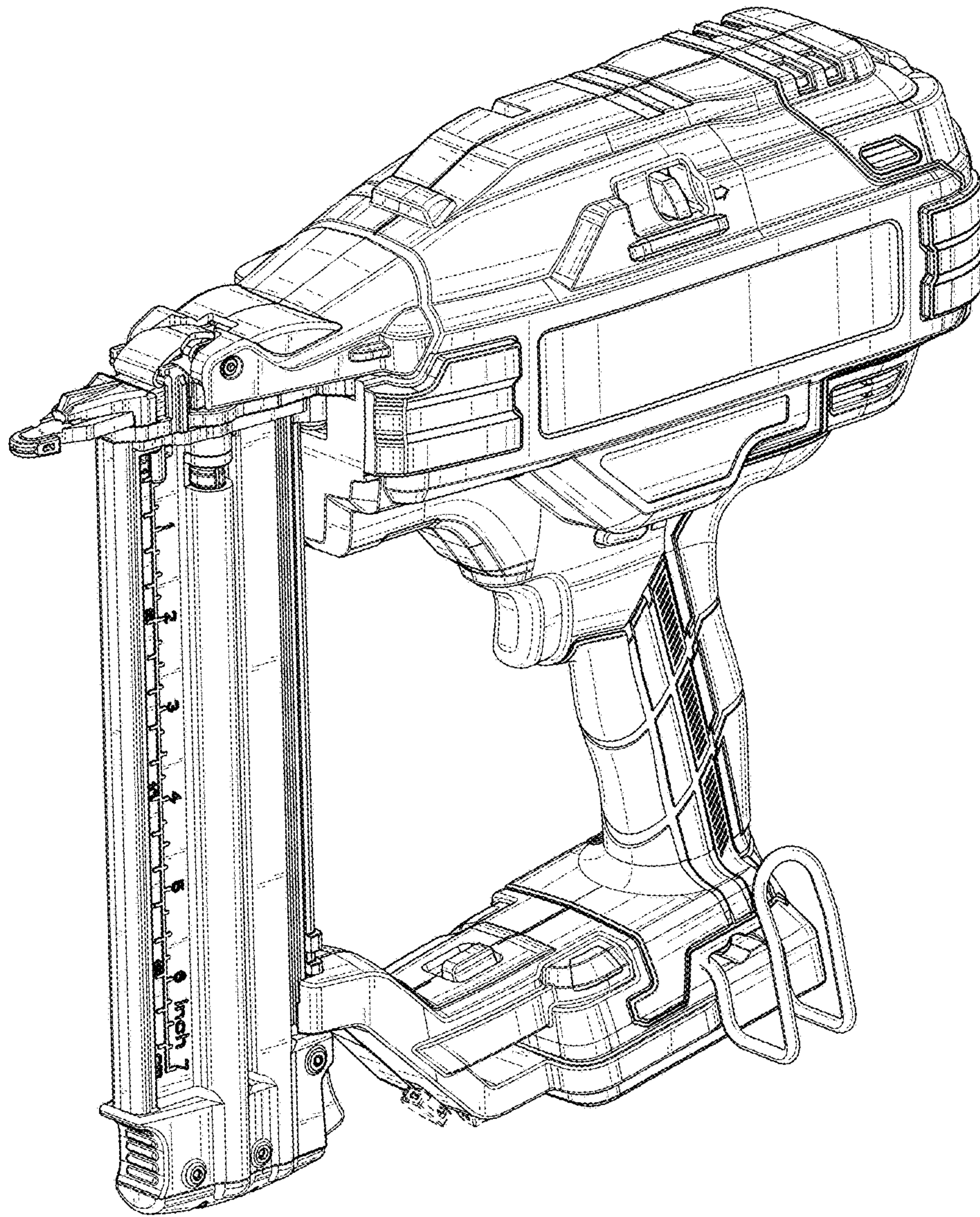


FIG. 2

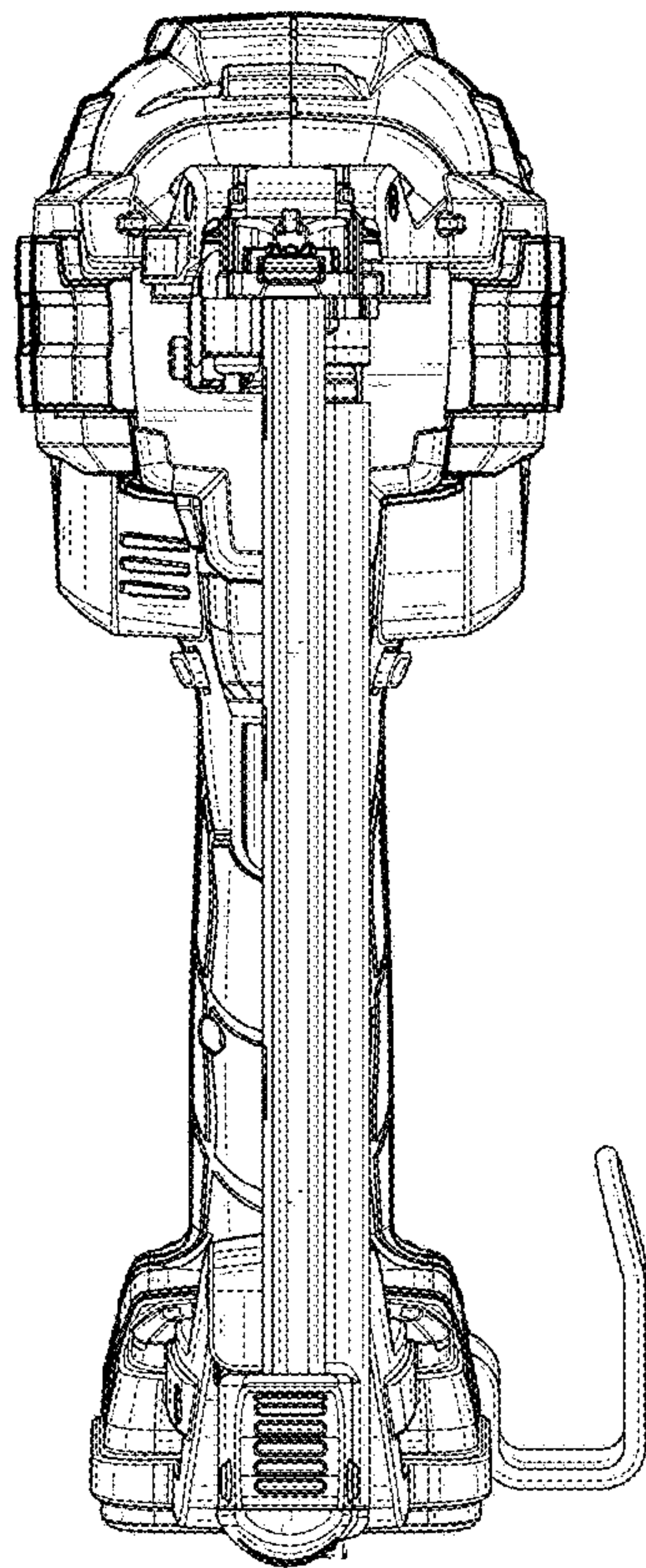


FIG. 3

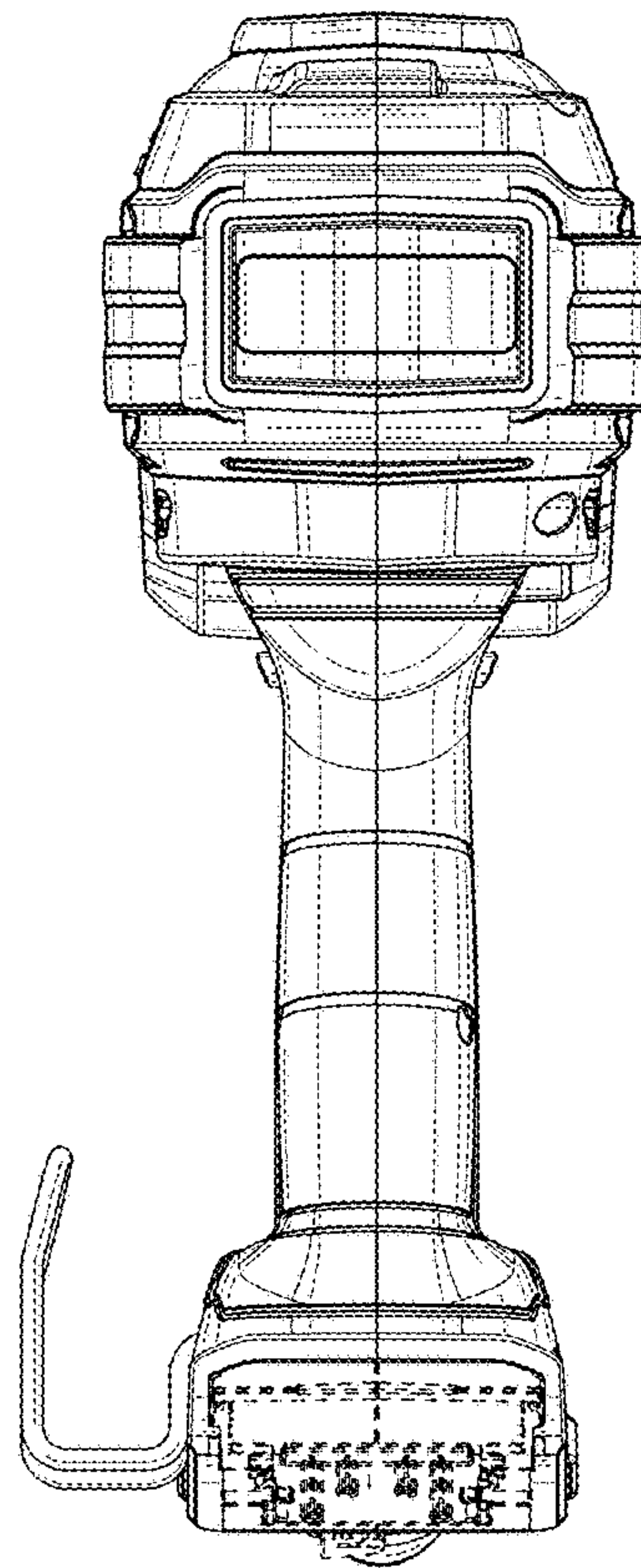


FIG. 4

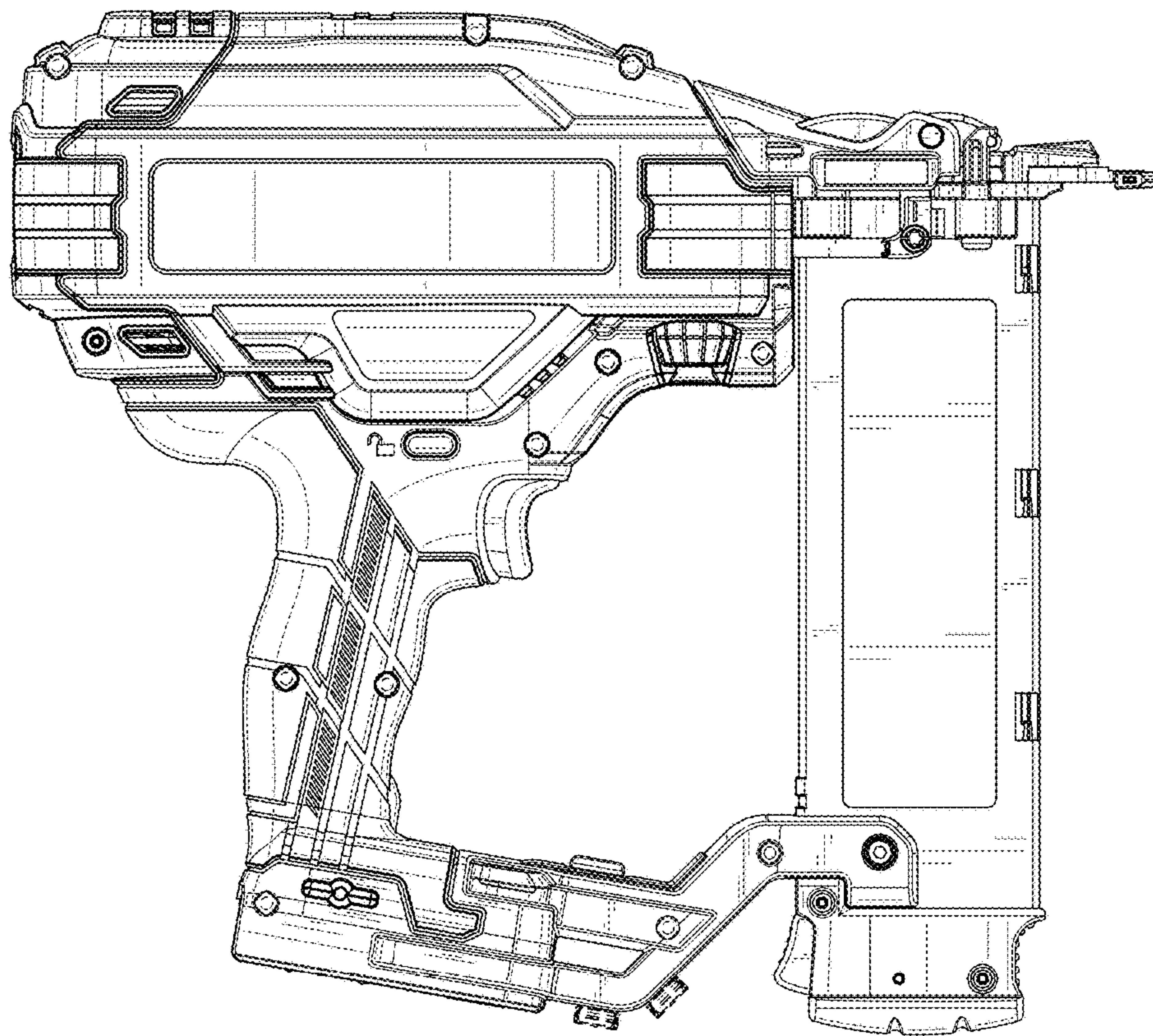


FIG. 5

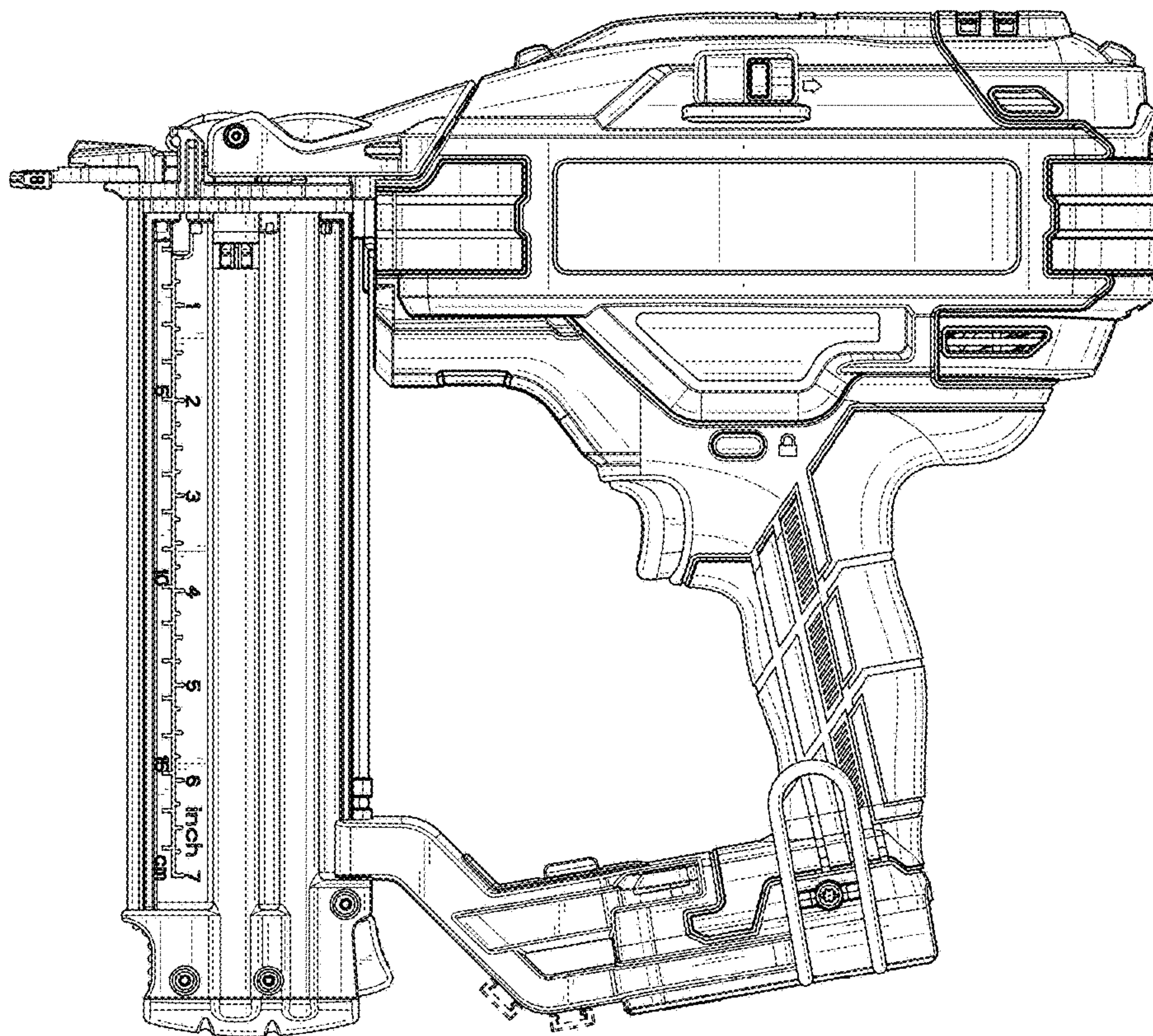


FIG. 6

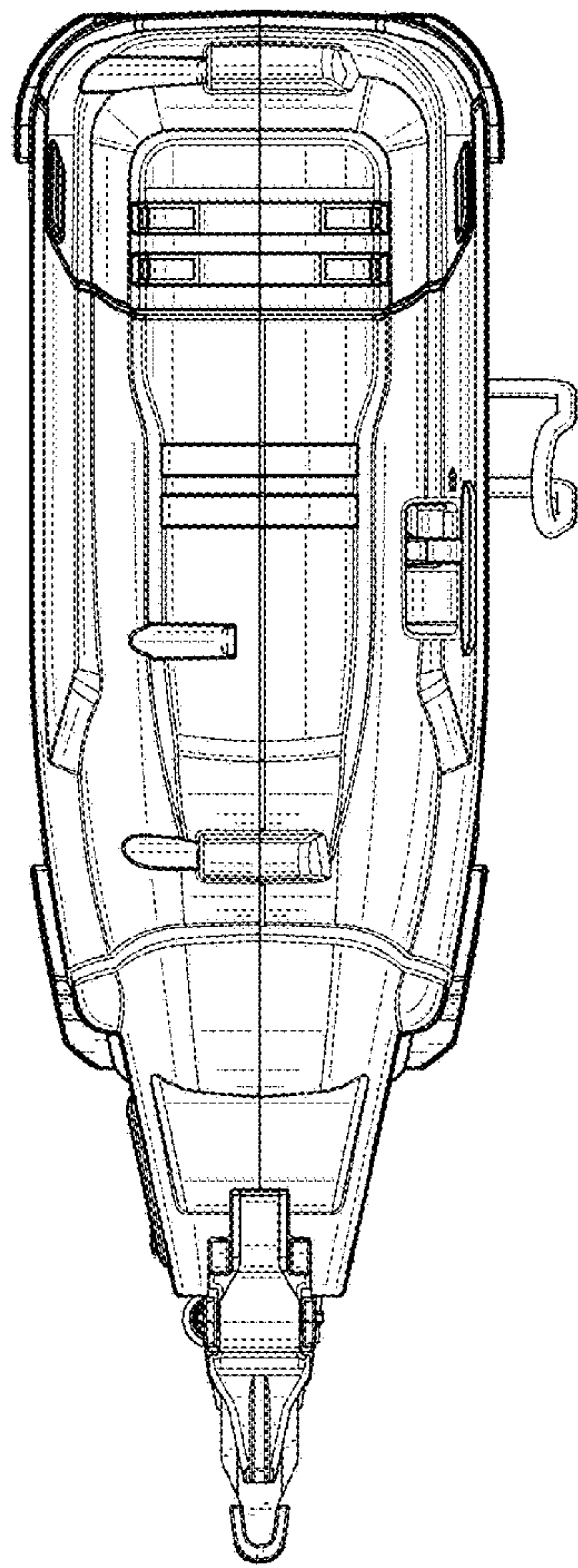


FIG. 7

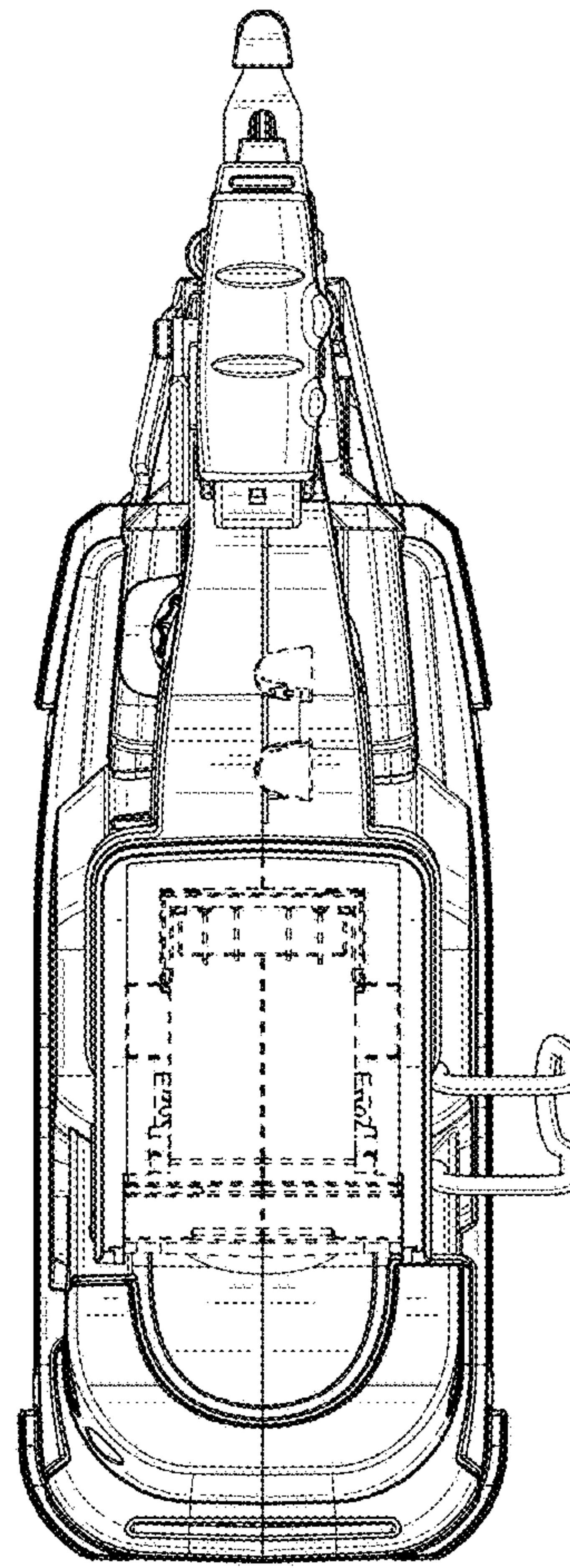


FIG. 8