



US00D852013S

(12) **United States Design Patent** (10) **Patent No.:** **US D852,013 S**  
**Kirkpatrick et al.** (45) **Date of Patent:** **\*\* Jun. 25, 2019**

- (54) **CORDLESS NAILER**
- (71) Applicant: **BLACK & DECKER INC.**, New Britain, CT (US)
- (72) Inventors: **Jonathan Kirkpatrick**, Baldwin, MD (US); **Micah L. Harrison**, Abingdon, MD (US); **Jessica Searfino**, White Marsh, MD (US)
- (73) Assignee: **Black & Decker, Inc.**, New Britain, CT (US)
- (\*\*) Term: **15 Years**
- (21) Appl. No.: **29/614,118**
- (22) Filed: **Aug. 16, 2017**
- (51) **LOC (11) Cl.** ..... **08-05**
- (52) **U.S. Cl.**  
USPC ..... **D8/68**
- (58) **Field of Classification Search**  
USPC ..... D8/61-70  
CPC .. B25C 1/001; B25C 1/04; B25C 1/06; B25C 1/041; B25C 1/047  
See application file for complete search history.

D512,620 S *	12/2005	Thomas	.....	D8/69
D514,911 S *	2/2006	Thomas	.....	D8/69
D532,668 S *	11/2006	Wen	.....	D8/69
D660,122 S *	5/2012	Hotta	.....	D8/69
D699,535 S *	2/2014	Albrecht	.....	D8/68
D713,704 S *	9/2014	Wang	.....	D8/68
D724,404 S *	3/2015	Fischer-Zernin	.....	D8/68
D787,290 S *	5/2017	Meyer	.....	D8/68
2005/0001007 A1 *	1/2005	Butzen	.....	B25C 1/005 227/130
2012/0292472 A1 *	11/2012	Segura	.....	B25F 5/02 248/225.21

\* cited by examiner

*Primary Examiner* — Darlington Ly  
(74) *Attorney, Agent, or Firm* — Rhonda L. Barton

(57) **CLAIM**

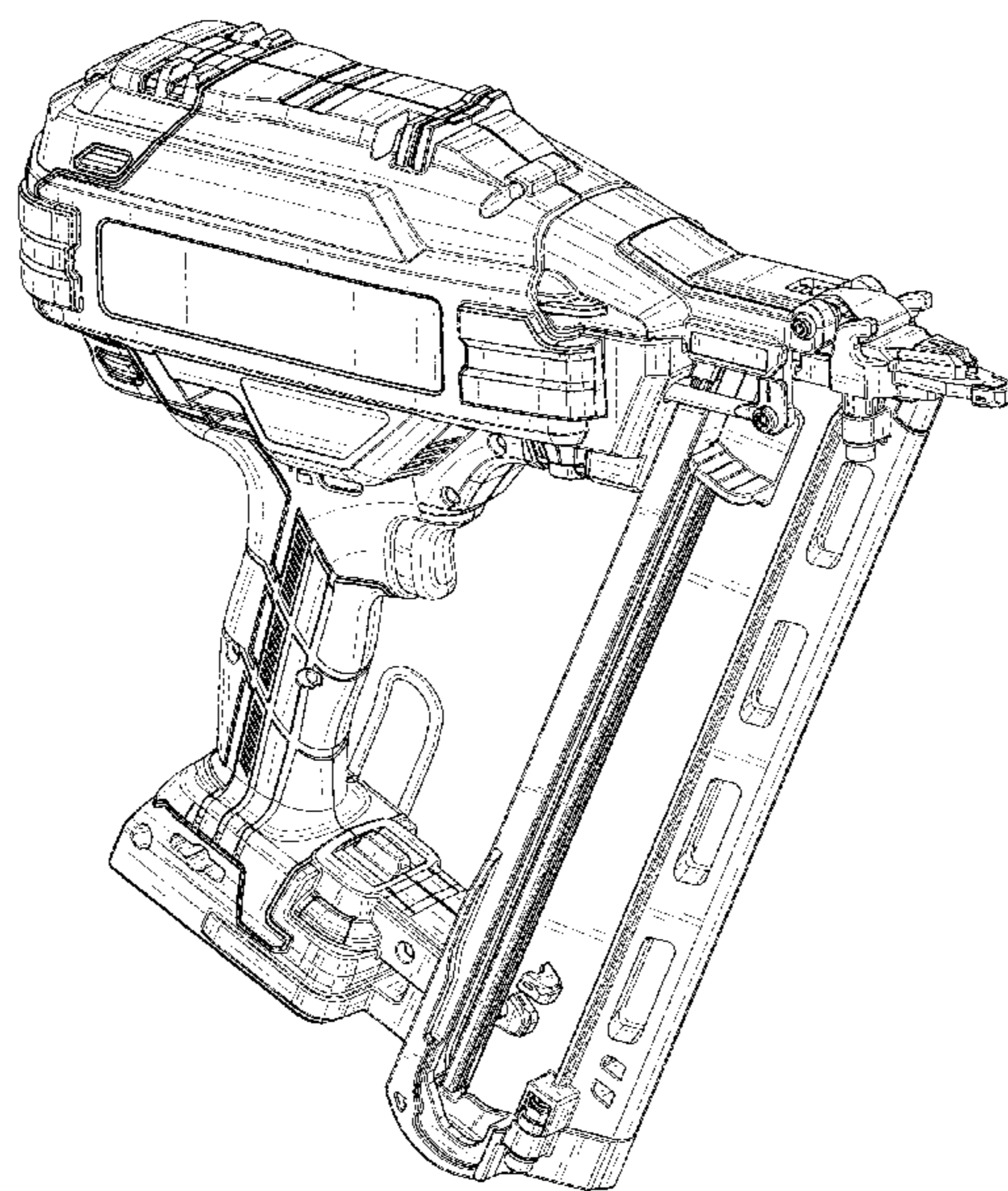
The ornamental design for a cordless nailer, as shown and described.

**DESCRIPTION**

FIG. 1 is a top and left-side perspective view of a cordless nailer showing our new design; FIG. 2 is a top and right-side perspective view thereof; FIG. 3 is a front elevation view; FIG. 4 is a rear elevation view thereof; FIG. 5 is a left-side elevation view thereof; FIG. 6 is a right-side elevation view thereof; FIG. 7 is a top plan view thereof; and, FIG. 8 is a bottom plan view thereof. The broken lines shown in the drawings illustrate portions of the cordless nailer that form no part of the claimed design.

**1 Claim, 6 Drawing Sheets**

- (56) **References Cited**  
U.S. PATENT DOCUMENTS  
D353,664 S \* 12/1994 Eminger ..... D8/69  
D483,240 S \* 12/2003 Garvis ..... D8/68  
D484,383 S \* 12/2003 Yang ..... D8/68  
D484,765 S \* 1/2004 Yang ..... D8/68  
D500,655 S \* 1/2005 Leasure ..... D8/69  
6,913,180 B2 \* 7/2005 Schuster ..... B25C 1/005  
227/109



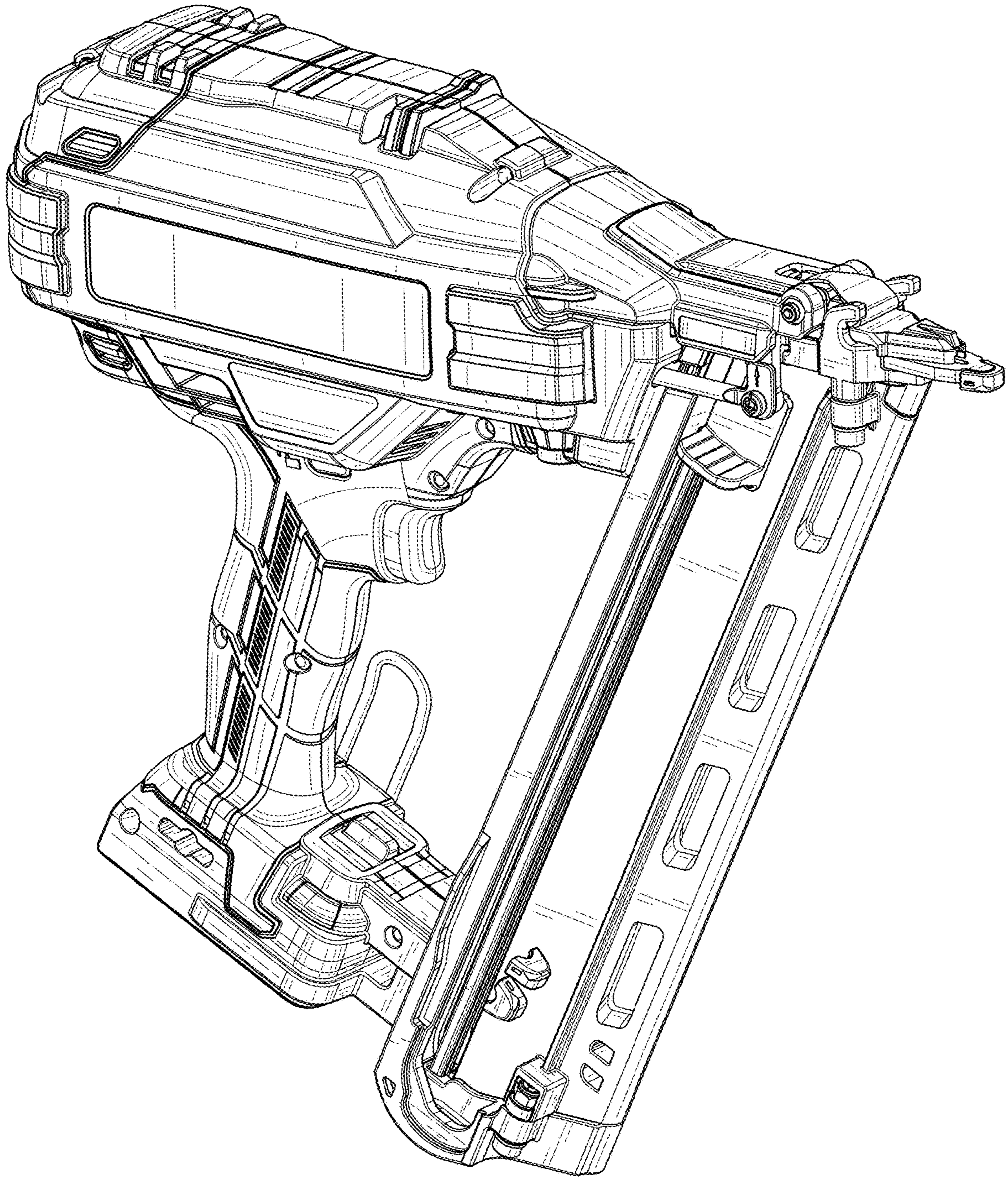


FIG. 1

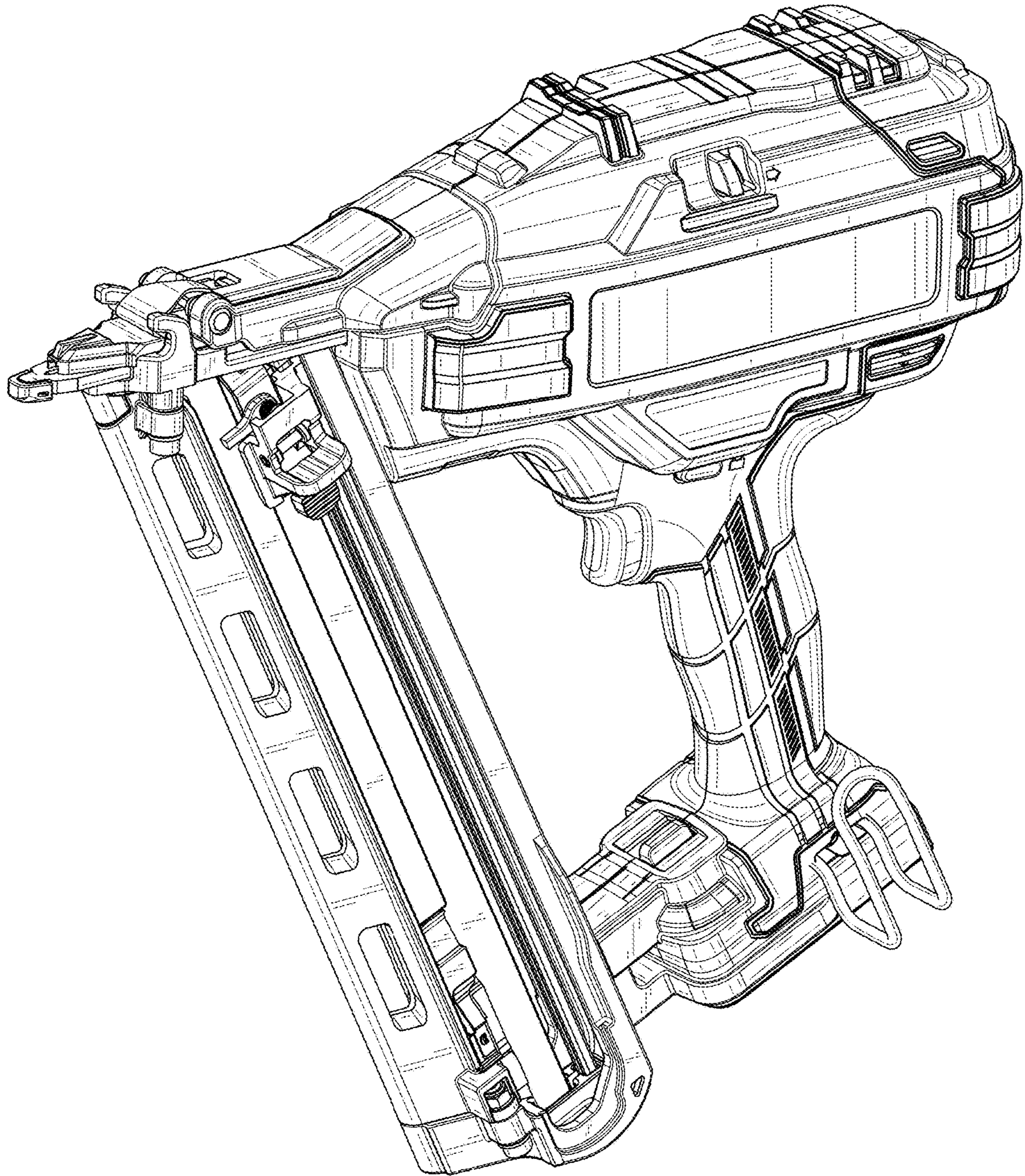


FIG. 2

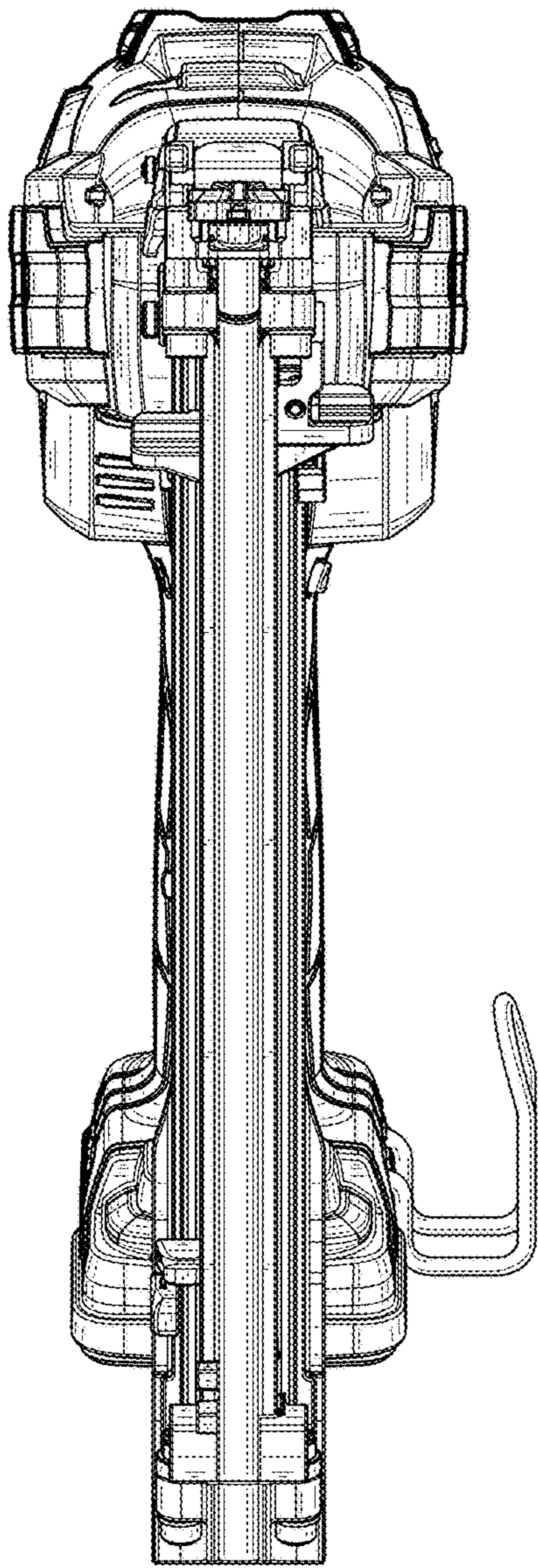


FIG. 3

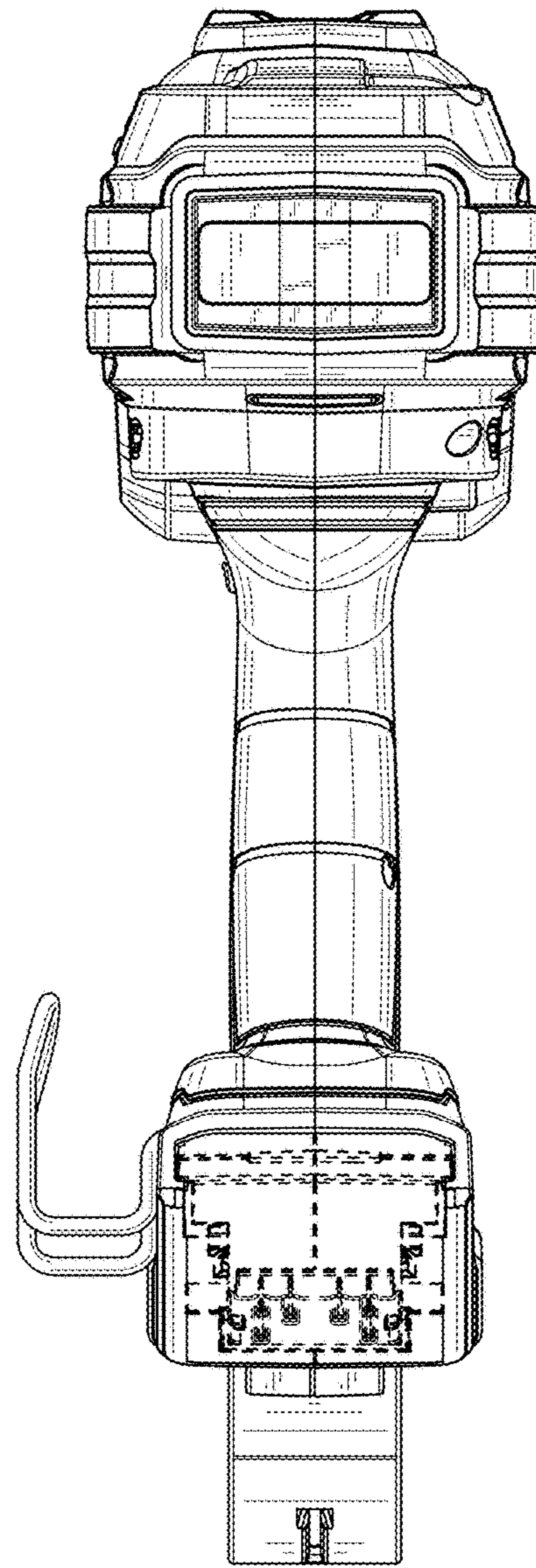


FIG. 4

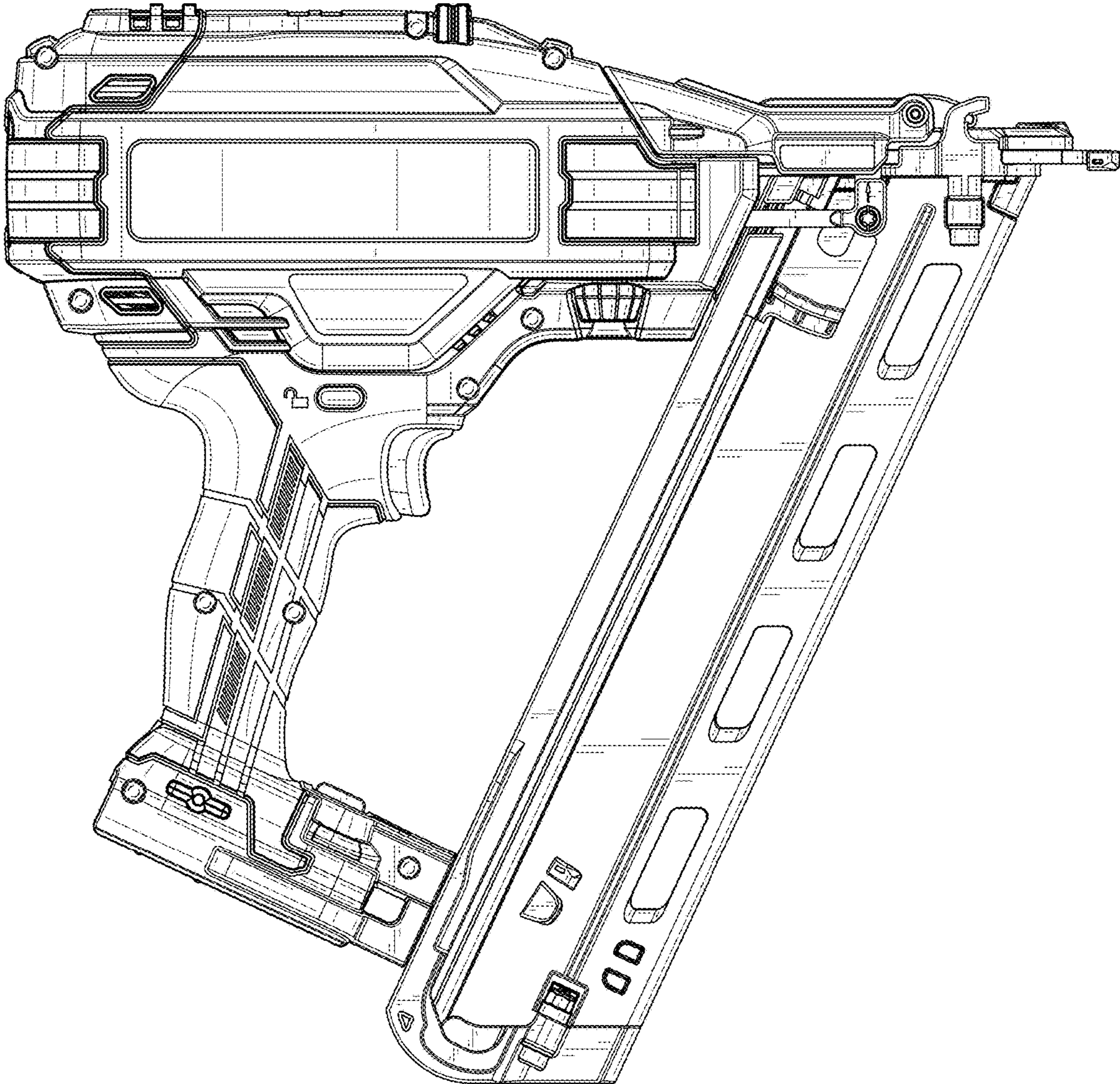


FIG. 5

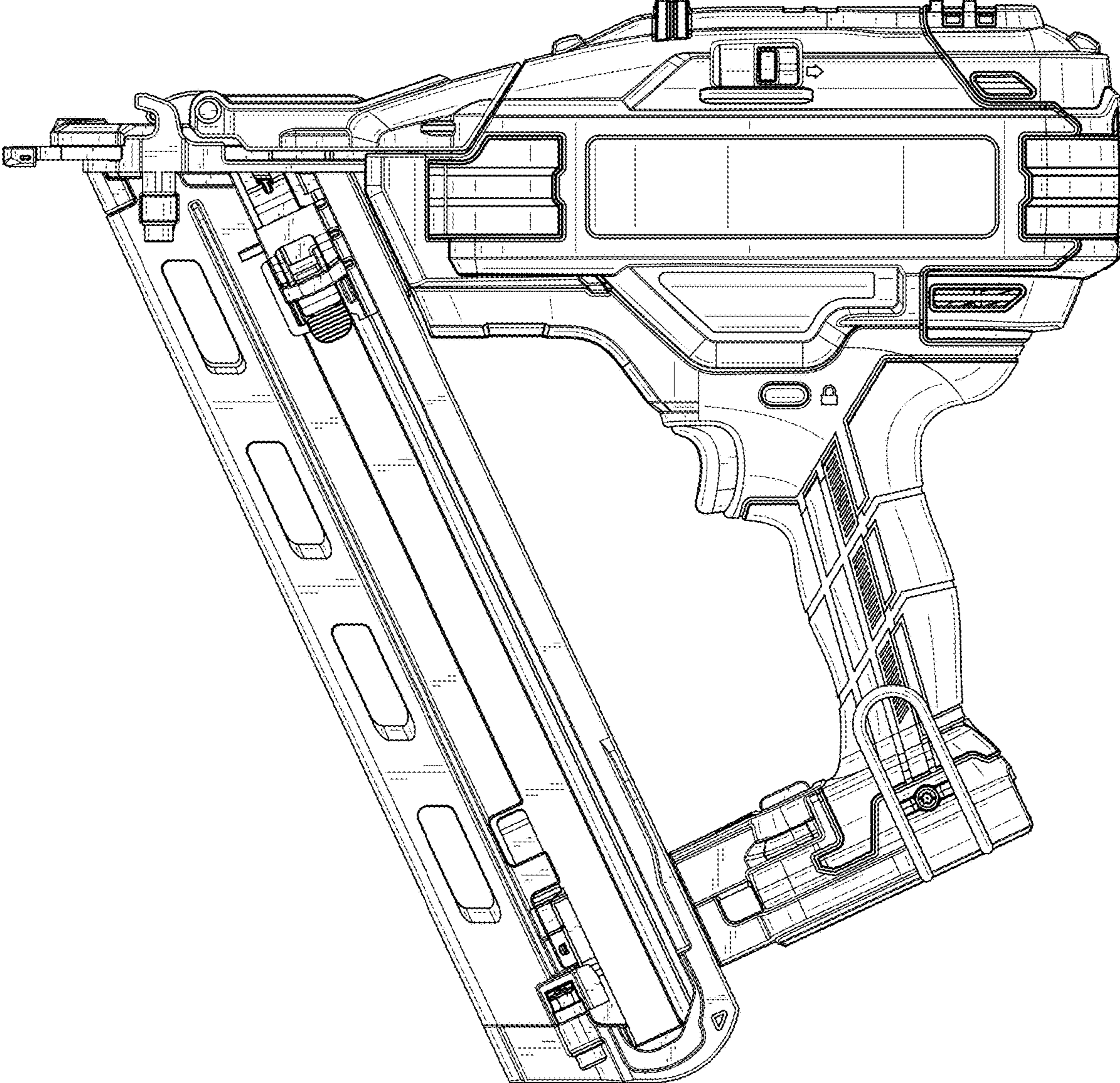


FIG. 6

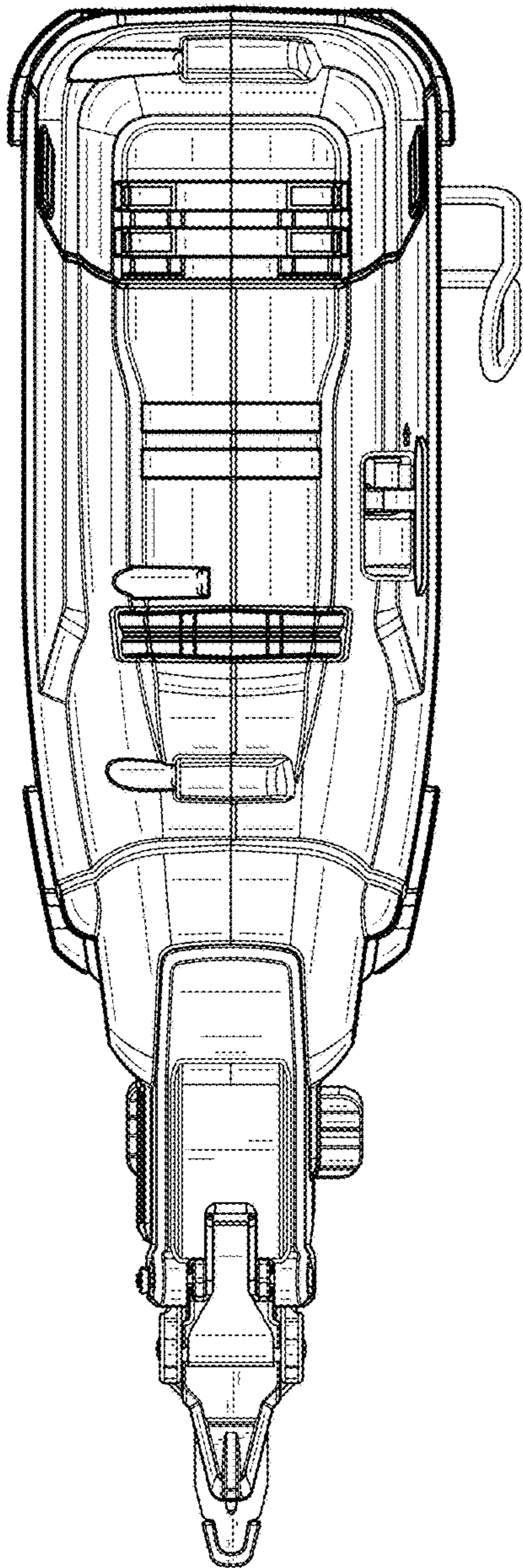


FIG. 7

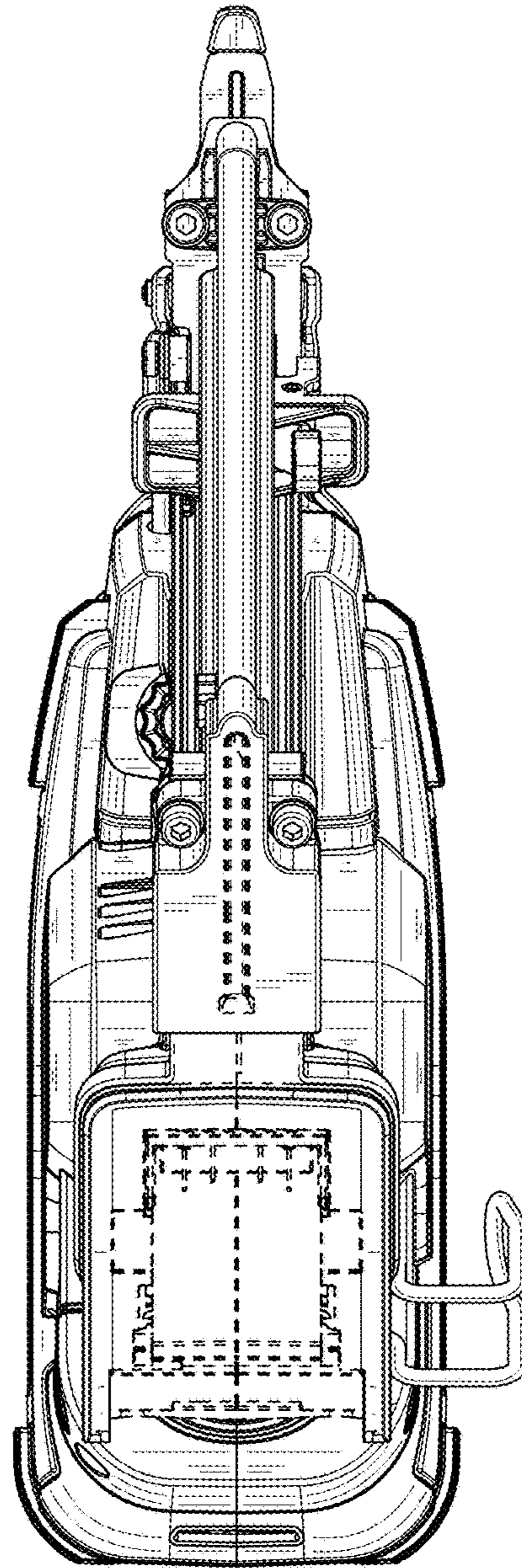


FIG. 8