



US00D852012S

(12) **United States Design Patent**
Li

(10) **Patent No.:** **US D852,012 S**
(45) **Date of Patent:** **** Jun. 25, 2019**

- (54) **HEX WRENCH**
- (71) Applicant: **Jung-ping Li**, Taichung (TW)
- (72) Inventor: **Jung-ping Li**, Taichung (TW)
- (**) Term: **15 Years**
- (21) Appl. No.: **29/642,683**
- (22) Filed: **Mar. 30, 2018**
- (51) **LOC (11) Cl.** **08-05**
- (52) **U.S. Cl.**
USPC **D8/21**
- (58) **Field of Classification Search**
USPC D8/17, 21-29; 81/60, 177.1, 177.85,
81/121.1, 124.3, 165-170, 110.1, 176.2,
81/124.6, 176.1, 176.15; 16/110.1;
D15/144.1; 219/75, 227, 229, 121.16,
219/121.18
CPC B25B 13/00; B25B 13/54
See application file for complete search history.

7,117,765 B1 * 10/2006 Wallden B25B 13/56
81/60
D680,396 S * 4/2013 He D8/21
D768,448 S * 10/2016 Chen D8/21

* cited by examiner

Primary Examiner — Randall H Gholson

(56) **References Cited**

U.S. PATENT DOCUMENTS

- 5,079,978 A * 1/1992 Kupfer B25B 13/56
206/376
- 6,032,556 A * 3/2000 Hu B25B 13/481
81/436

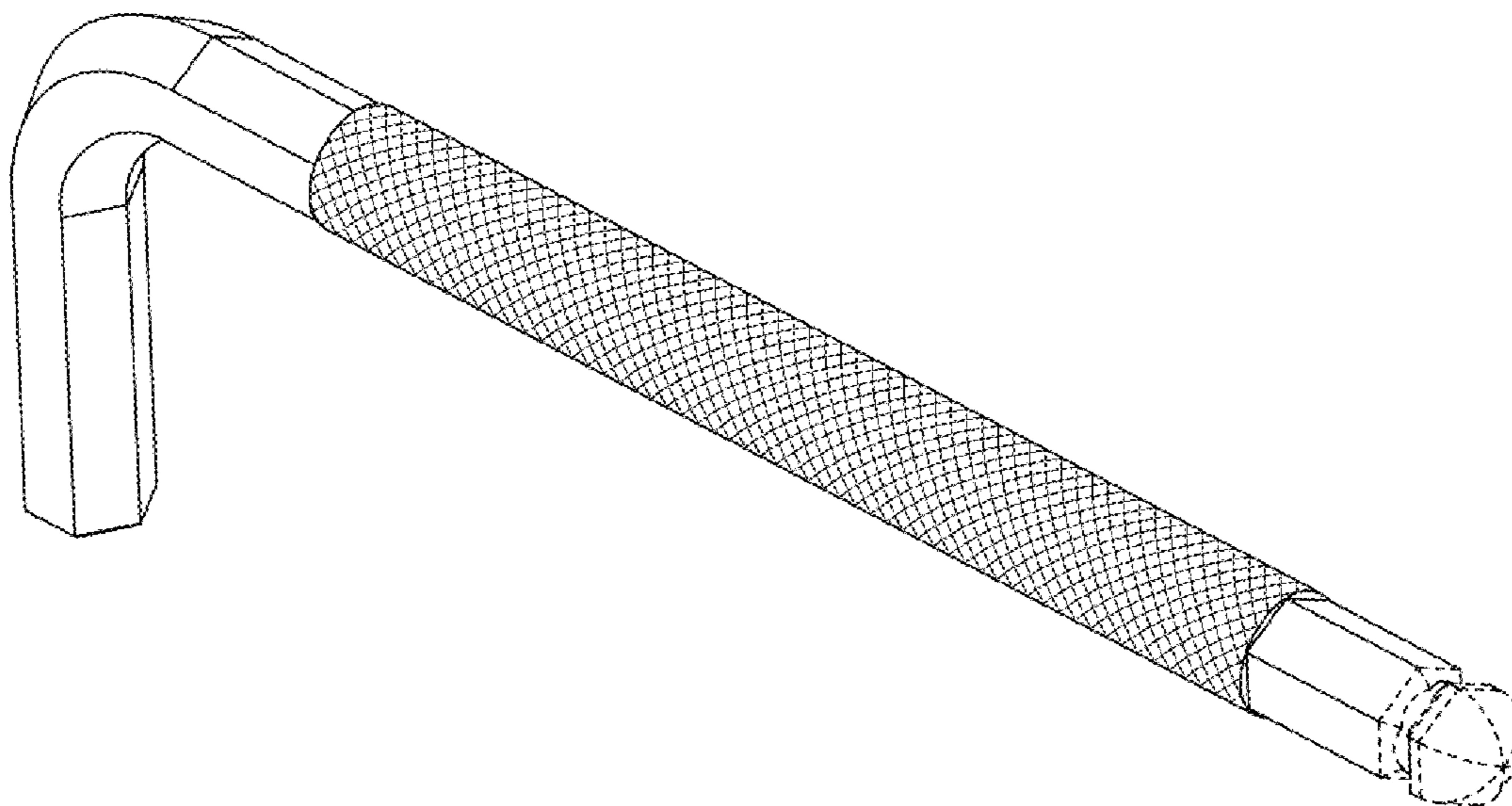
(57) **CLAIM**

The ornamental design for a hex wrench, as shown and described.

DESCRIPTION

FIG. 1 is a perspective view of a hex wrench showing my new design;
 FIG. 2 is a front elevational view thereof;
 FIG. 3 is a rear elevational view thereof;
 FIG. 4 is a left side elevational view thereof;
 FIG. 5 is a right side elevational view thereof;
 FIG. 6 is a top plan view thereof; and,
 FIG. 7 is a bottom plan view thereof.
 The broken lines depict portions of the hex wrench that form no part of the claimed design.

1 Claim, 4 Drawing Sheets



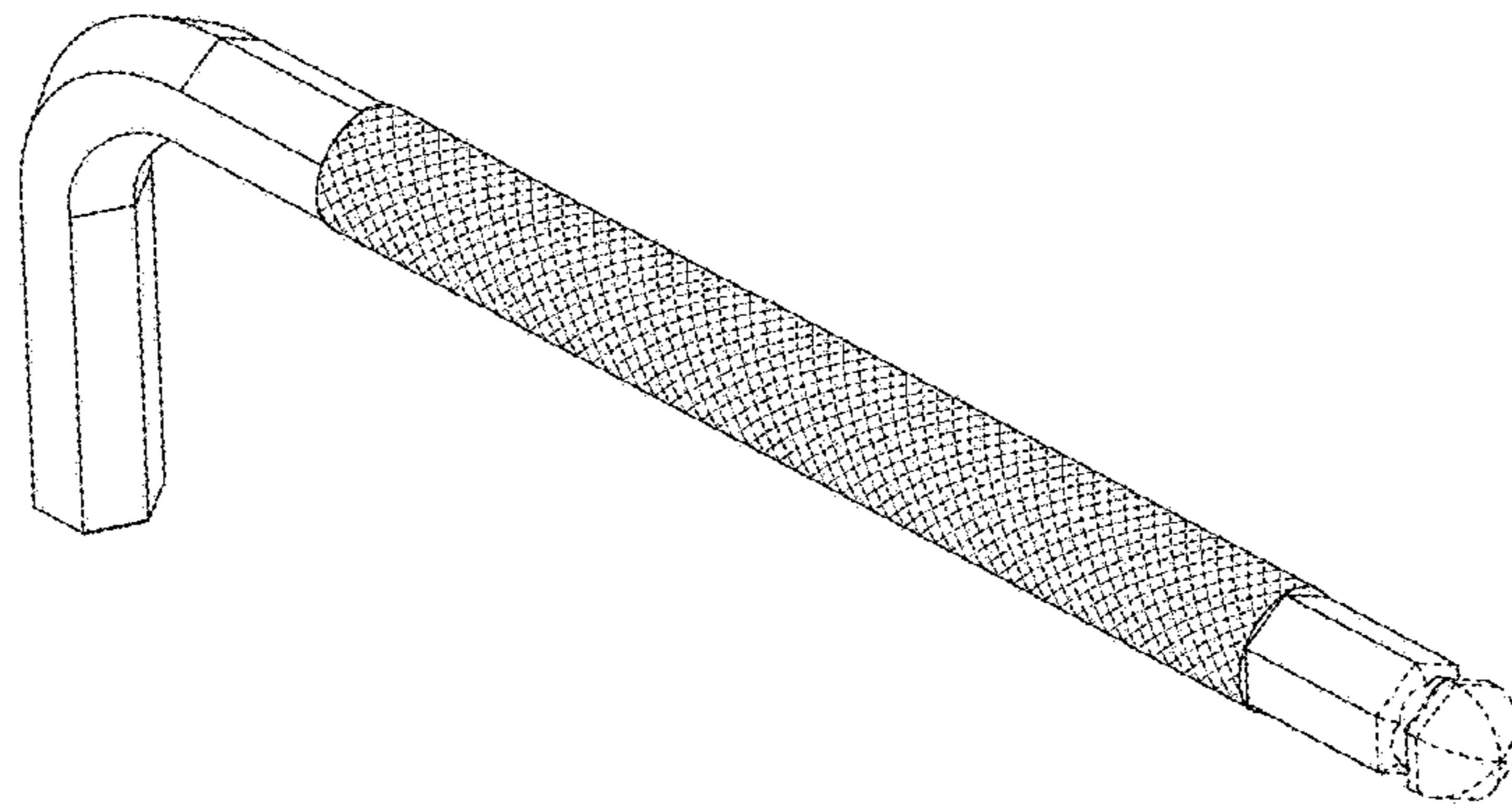


FIG. 1

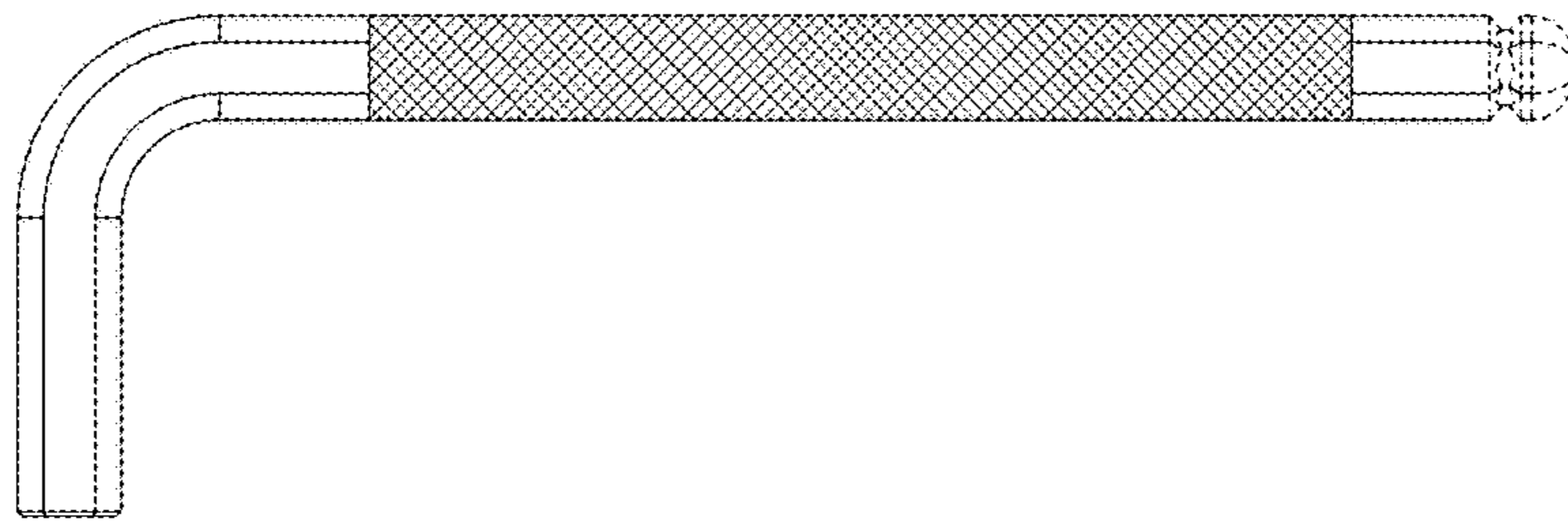


FIG. 2

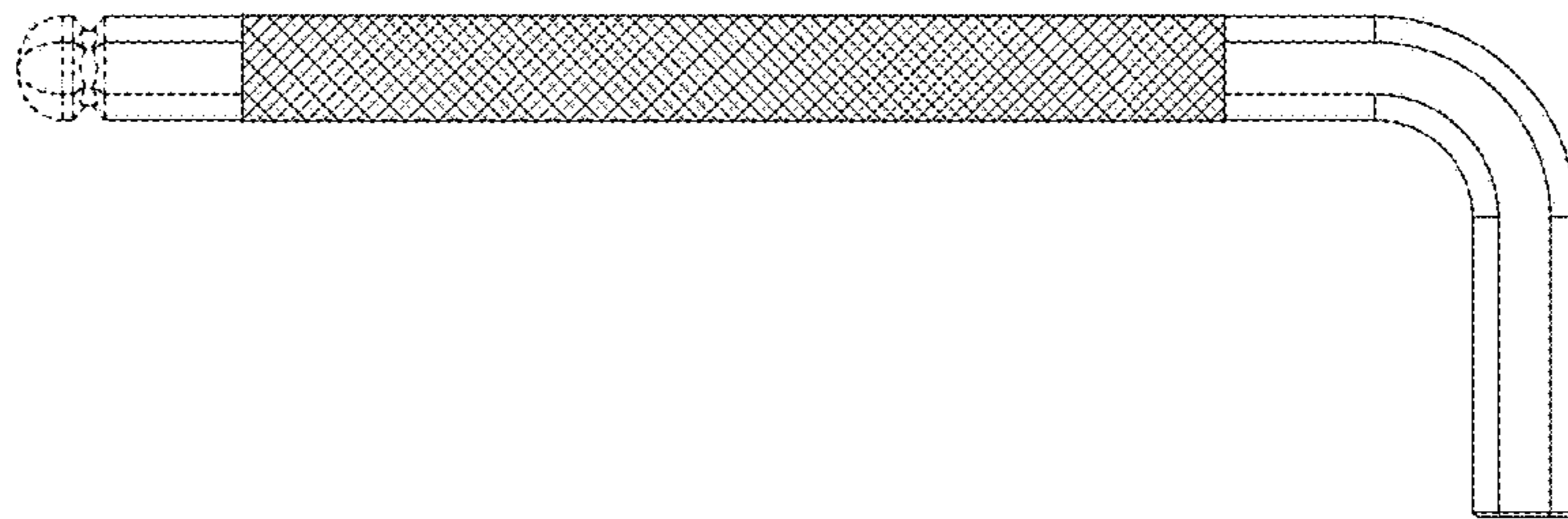


FIG. 3



FIG. 4

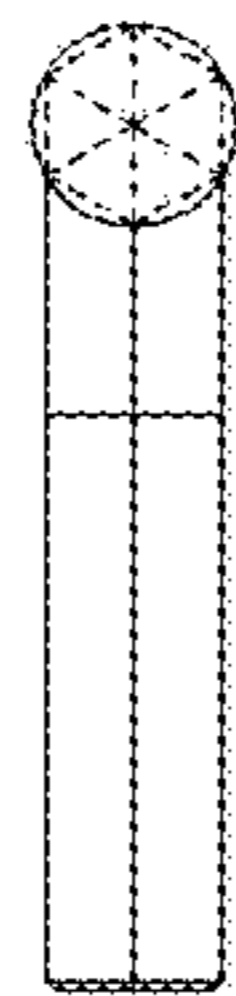


FIG. 5

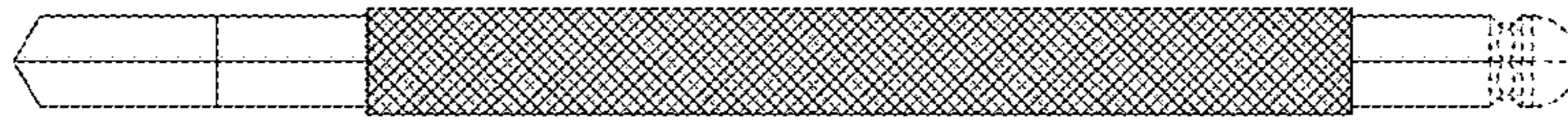


FIG. 6

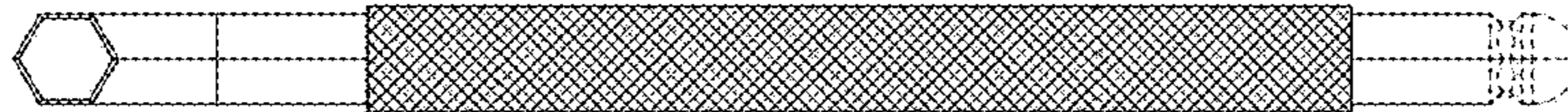


FIG. 7