

US00D852010S

(12) **United States Design Patent**
Banovic et al.

(10) **Patent No.:** **US D852,010 S**
(45) **Date of Patent:** **** Jun. 25, 2019**

(54) **CUTTING BOARD**
(71) Applicants: **Djordje Banovic**, Garibaldi Highlands
(CA); **Richard Scott Duncan**,
Garibaldi Highlands (CA)
(72) Inventors: **Djordje Banovic**, Garibaldi Highlands
(CA); **Richard Scott Duncan**,
Garibaldi Highlands (CA)

6,341,770 B1 * 1/2002 Landherr A47J 47/005
269/289 R
6,994,336 B2 * 2/2006 Loo A47J 47/005
269/289 R
D616,700 S * 6/2010 Pourounidis D7/388
8,360,407 B2 * 1/2013 Kent A47J 47/005
269/15
8,720,879 B1 5/2014 Schrimper
D720,152 S * 12/2014 Chauss A47J 47/005
D6/406.3
D745,788 S 12/2015 Schrimper
D793,184 S * 8/2017 Lammel D7/698
2015/0076974 A1 3/2015 Schreiter

(**) Term: **15 Years**

(21) Appl. No.: **29/637,281**

* cited by examiner

(22) Filed: **Feb. 15, 2018**

Primary Examiner — Ricky Pham

(51) **LOC (11) Cl.** **07-04**

(74) *Attorney, Agent, or Firm* — Susan M Tees

(52) **U.S. Cl.**
USPC **D7/698**

(57) **CLAIM**

(58) **Field of Classification Search**
USPC D6/406.3; D7/388, 543, 549, 550.1, 586,
D7/698-699; D32/55-57
CPC A47J 47/00; A47J 47/005; A47J 47/20;
B26D 7/0006; B26D 7/018; B26D 7/20;
B23D 21/00; B23K 37/04; B23K 37/053;
B23Q 16/001

The ornamental design for a cutting board, as shown and described.

See application file for complete search history.

DESCRIPTION

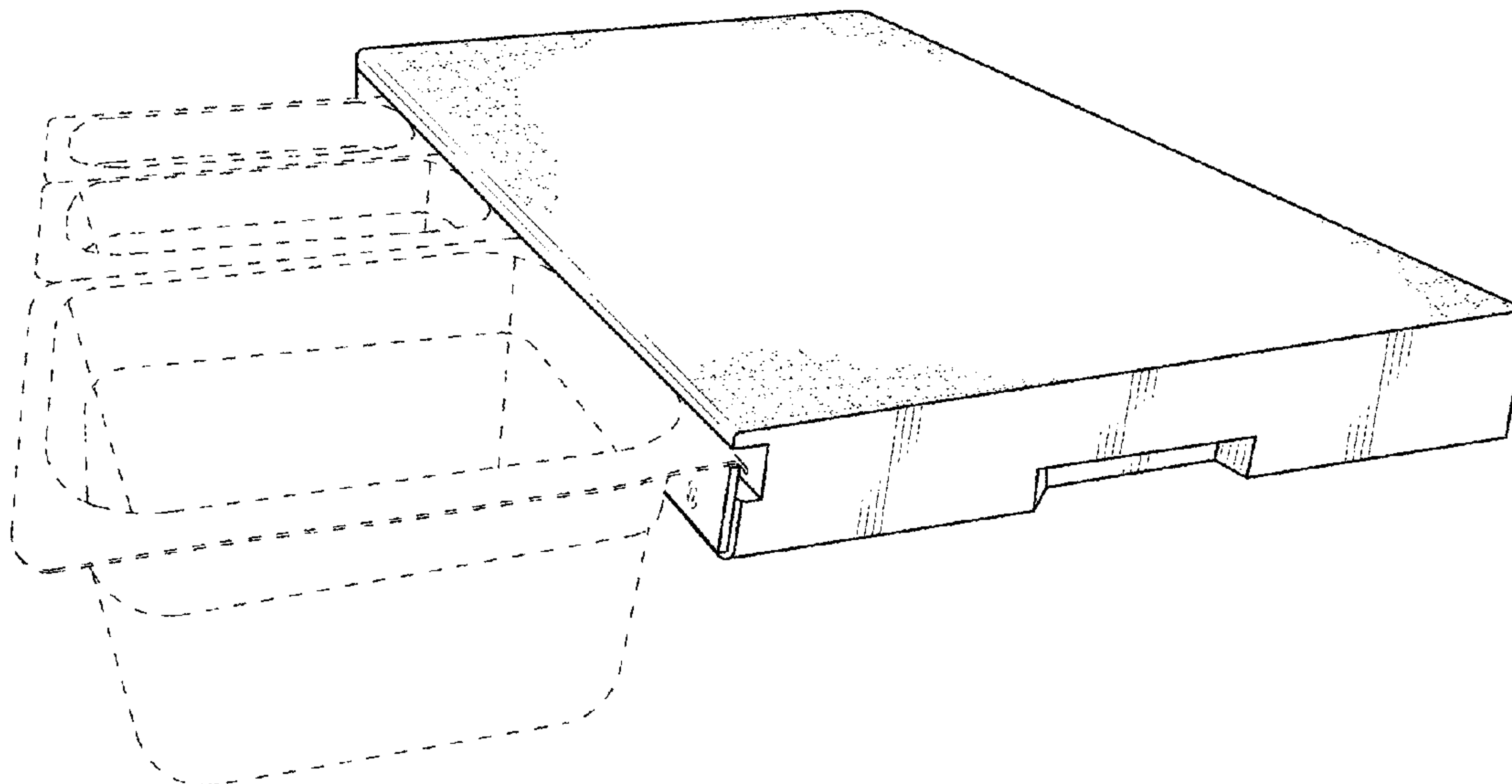
(56) **References Cited**

FIG. 1 is a perspective view of a cutting board showing our new design;
FIG. 2 is a front elevation view thereof;
FIG. 3 is a right side elevation view thereof, the left side being a mirror image of the right;
FIG. 4 is a top plan view thereof;
FIG. 5 is a bottom plan view thereof;
FIG. 6 is an enlarged alternate right side view thereof; and,
FIG. 7 is an alternate perspective view thereof.
The accompanying drawings include broken lines that form no part of the claimed design.

U.S. PATENT DOCUMENTS

4,041,964 A * 8/1977 Shamon A47J 47/005
108/26
D376,737 S * 12/1996 Hecker 248/95
5,996,983 A * 12/1999 Laurenzi A47J 47/005
269/15
6,026,972 A * 2/2000 Makowski A47J 47/005
220/495.08

1 Claim, 6 Drawing Sheets



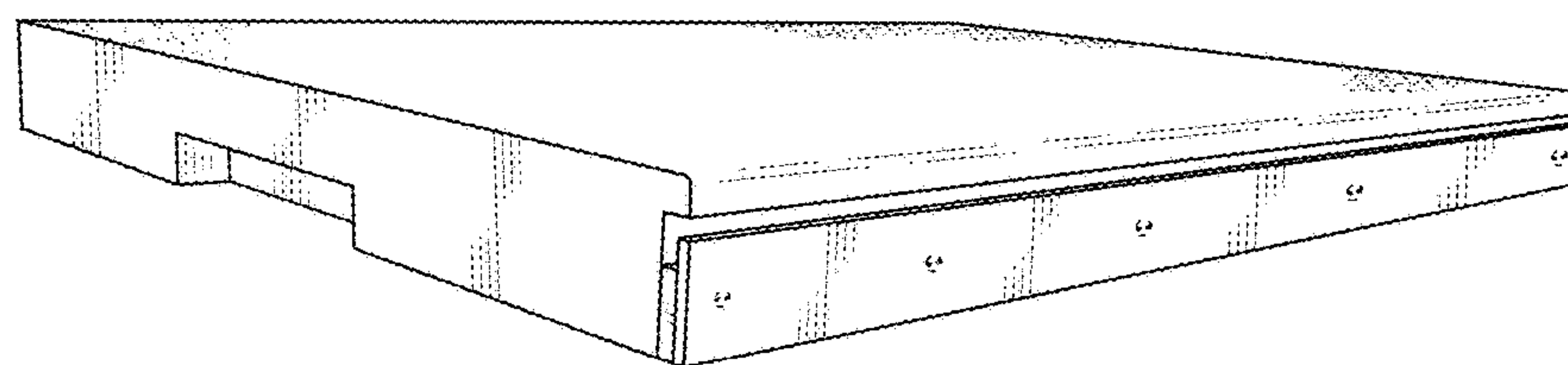


FIG. 1

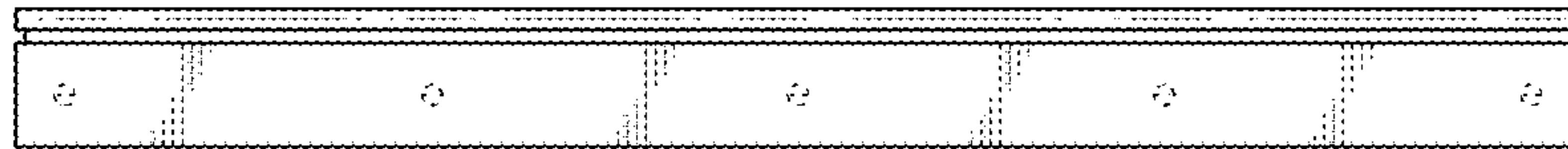


FIG. 2

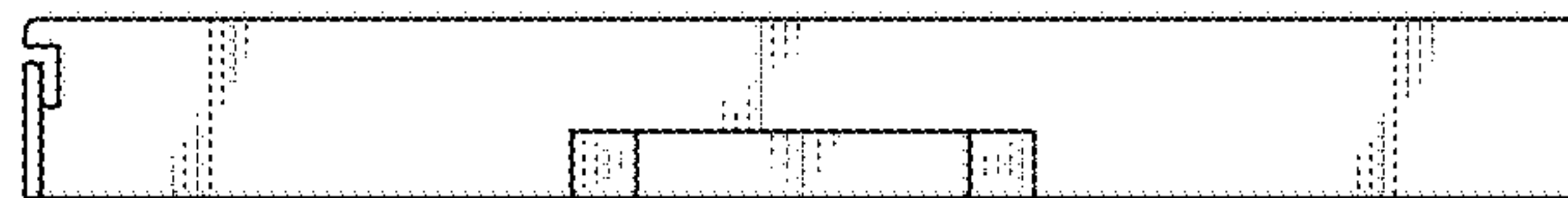


FIG. 3

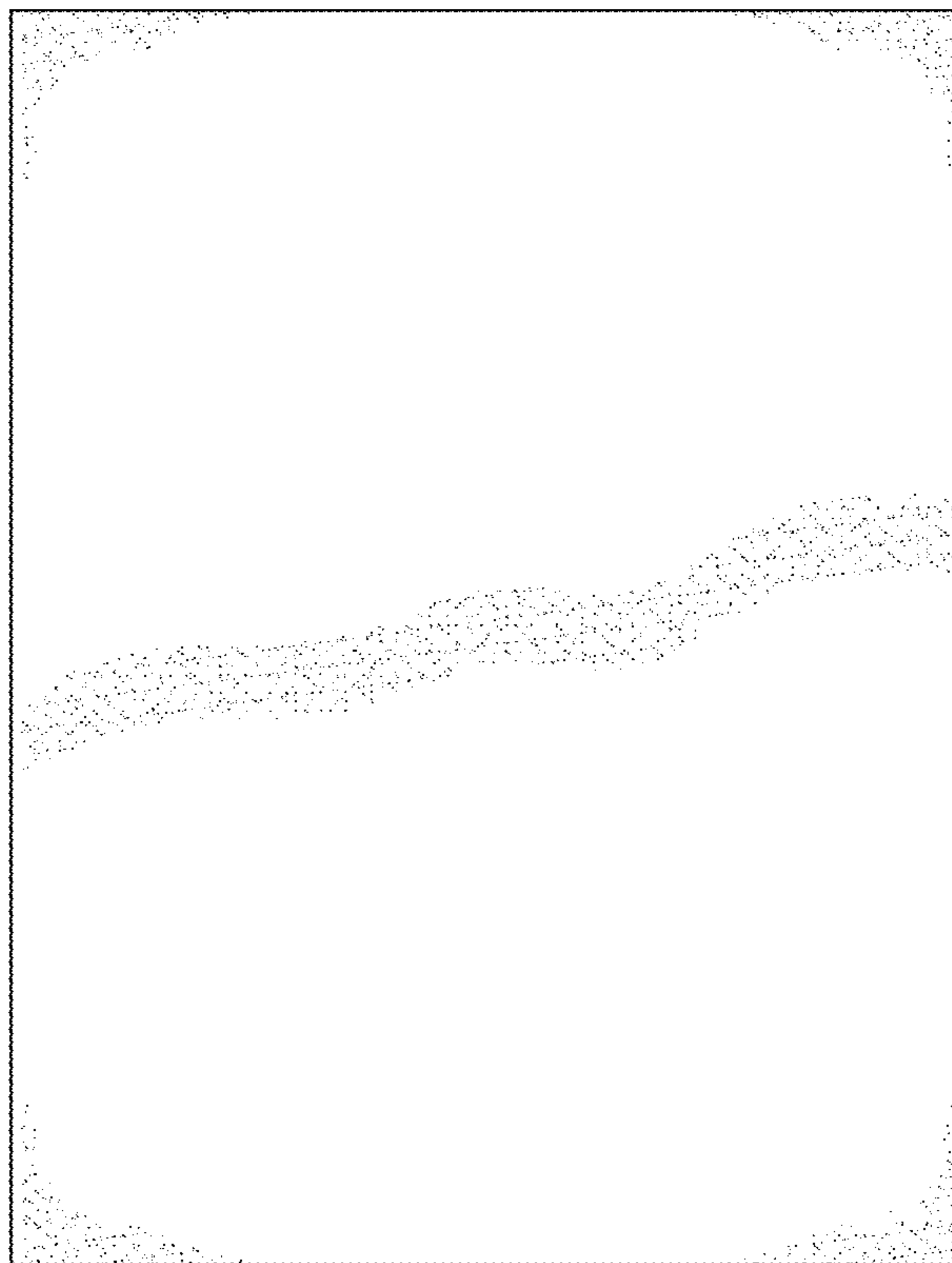


FIG. 4

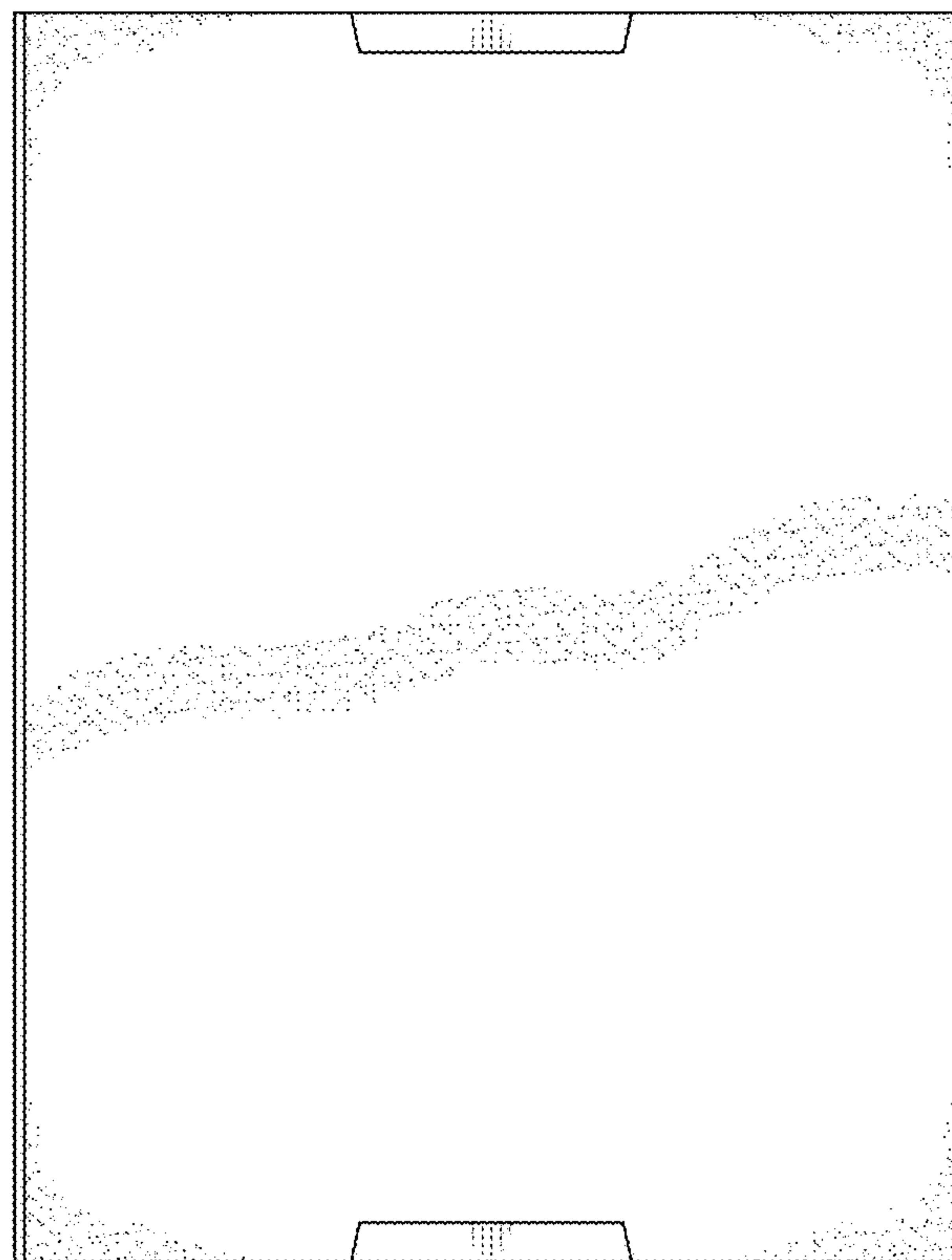


FIG. 5

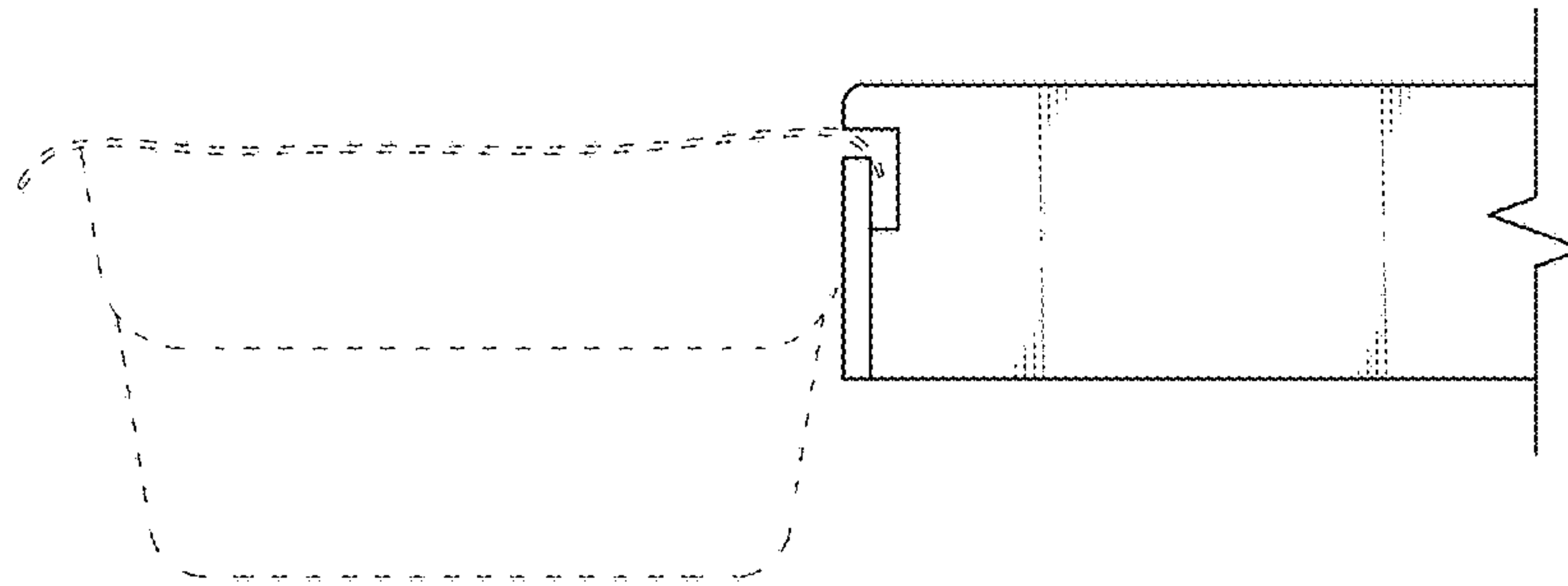


FIG. 6

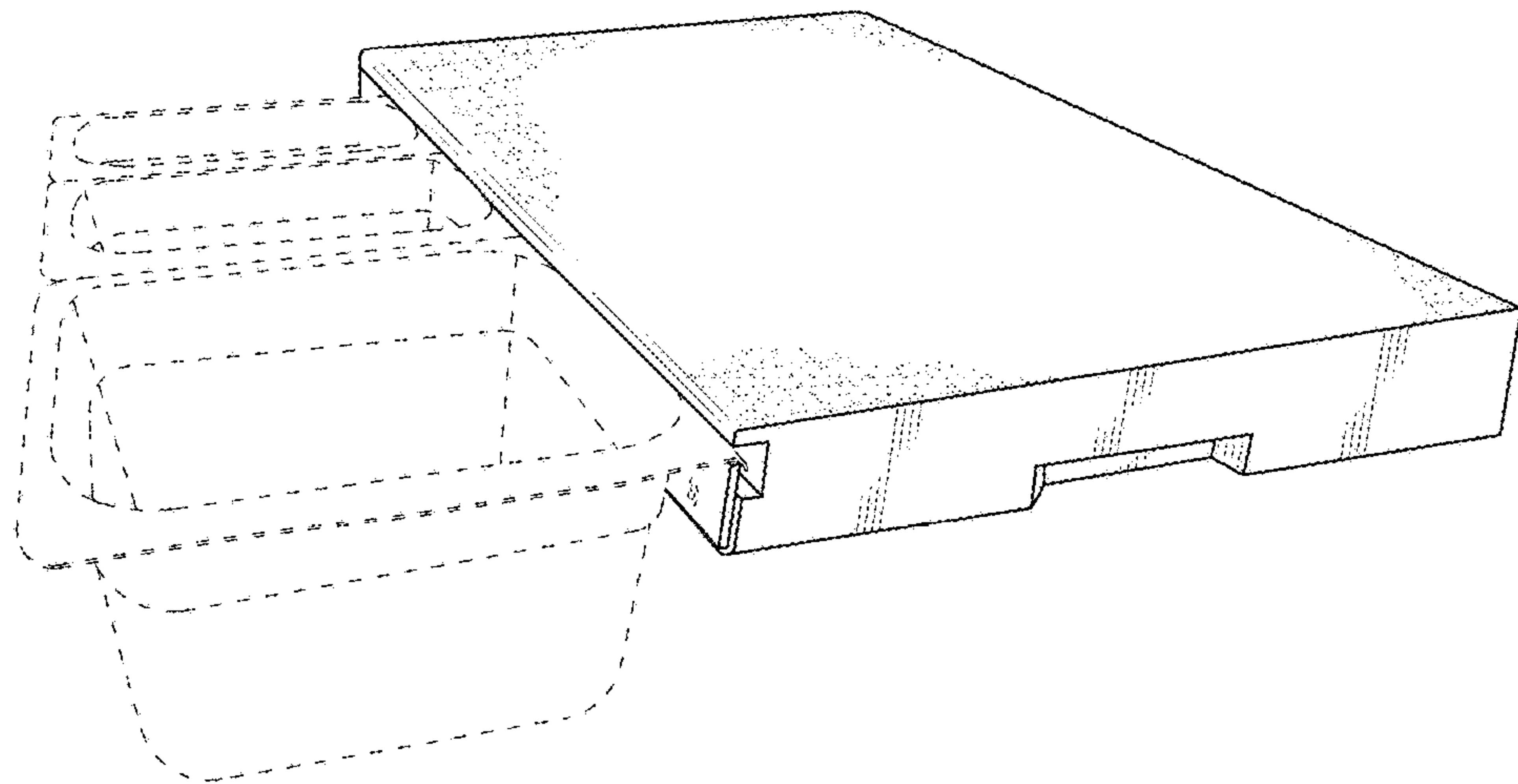


FIG. 7