



US00D852005S

(12) **United States Design Patent** (10) **Patent No.:** **US D852,005 S**  
**Davidson** (45) **Date of Patent:** **\*\* Jun. 25, 2019**

(54) **KNIFE**  
(71) Applicant: **Toadfish LLC**, Charleston, SC (US)  
(72) Inventor: **Casey Davidson**, Charleston, SC (US)  
(73) Assignee: **TOADFISH LLC**, Charleston, SC (US)  
(\*\*) Term: **15 Years**  
(21) Appl. No.: **29/621,520**  
(22) Filed: **Oct. 9, 2017**  
(51) **LOC (11) Cl.** ..... **07-03**  
(52) **U.S. Cl.**  
USPC ..... **D7/649**  
(58) **Field of Classification Search**  
USPC ..... D7/393-395, 401.2, 642-652, 693-696;  
D8/93, 97-100, 102-103, 107, 300, 321;  
D22/117-118; D28/59  
(Continued)

(56) **References Cited**  
U.S. PATENT DOCUMENTS  
D147,593 S \* 9/1947 Lipic ..... D7/649  
2,671,668 A \* 3/1954 Krause ..... B25G 3/26  
279/104  
(Continued)

*Primary Examiner* — Ricky Pham  
(74) *Attorney, Agent, or Firm* — Middleton Reutlinger

(57) **CLAIM**  
The ornamental design for a knife, as shown and described.

**DESCRIPTION**

FIG. 1 is an upper perspective view of a knife design;  
FIG. 2 is a top view of the knife design of FIG. 1;  
FIG. 3 is a bottom view of the knife design of FIG. 1;  
FIG. 4 is a first side view of the knife design of FIG. 1;  
FIG. 5 is a second side view of the knife design of FIG. 1;  
FIG. 6 is a front view of the knife design of FIG. 1;

FIG. 7 is a rear view of the knife of FIG. 1; and,  
FIG. 8 is a lower perspective view of the knife of FIG. 1;  
FIG. 9 is an upper perspective view of a top portion of a  
knife handle design, shown separately for completeness of  
illustration;  
FIG. 10 is a top view of the knife handle design of FIG. 9;  
FIG. 11 is a bottom view of the knife handle design of  
FIG. 9;  
FIG. 12 is a first side view of the knife handle design of FIG.  
9;  
FIG. 13 is a second side view of the knife handle design of  
FIG. 9;  
FIG. 14 is a front view of the knife handle design of FIG. 9;  
FIG. 15 is a rear view of the knife handle design of FIG. 9;  
and,  
FIG. 16 is a lower perspective view of the knife handle  
design of FIG. 9;  
FIG. 17 is an upper perspective view of a bottom portion of  
a knife handle design; shown separately for completeness of  
illustration;  
FIG. 18 is a top view of the knife handle design of FIG. 17;  
FIG. 19 is a bottom view of the knife handle design of FIG.  
17;  
FIG. 20 is a first side view of the knife handle design of FIG.  
17;  
FIG. 21 is a second side view of the knife handle design of  
FIG. 17;  
FIG. 22 is a front view of the knife handle design of FIG. 17;  
FIG. 23 is a rear view of the knife handle design of FIG. 17;  
and,  
FIG. 24 is a lower perspective view of the knife handle  
design of FIG. 17;  
FIG. 25 is an upper perspective view of a knife blade design,  
shown separately for completeness of illustration;  
FIG. 26 is a top view of the knife blade design of FIG. 25;  
FIG. 27 is a bottom view of the knife blade design of FIG.  
25;  
FIG. 28 is a first side view of the knife blade design of FIG.  
25;  
FIG. 29 is a second side view of the blade handle design of  
FIG. 25;  
FIG. 30 is a front view of the knife blade design of FIG. 25;  
FIG. 31 is a rear view of the knife blade design of FIG. 25;  
and,  
(Continued)

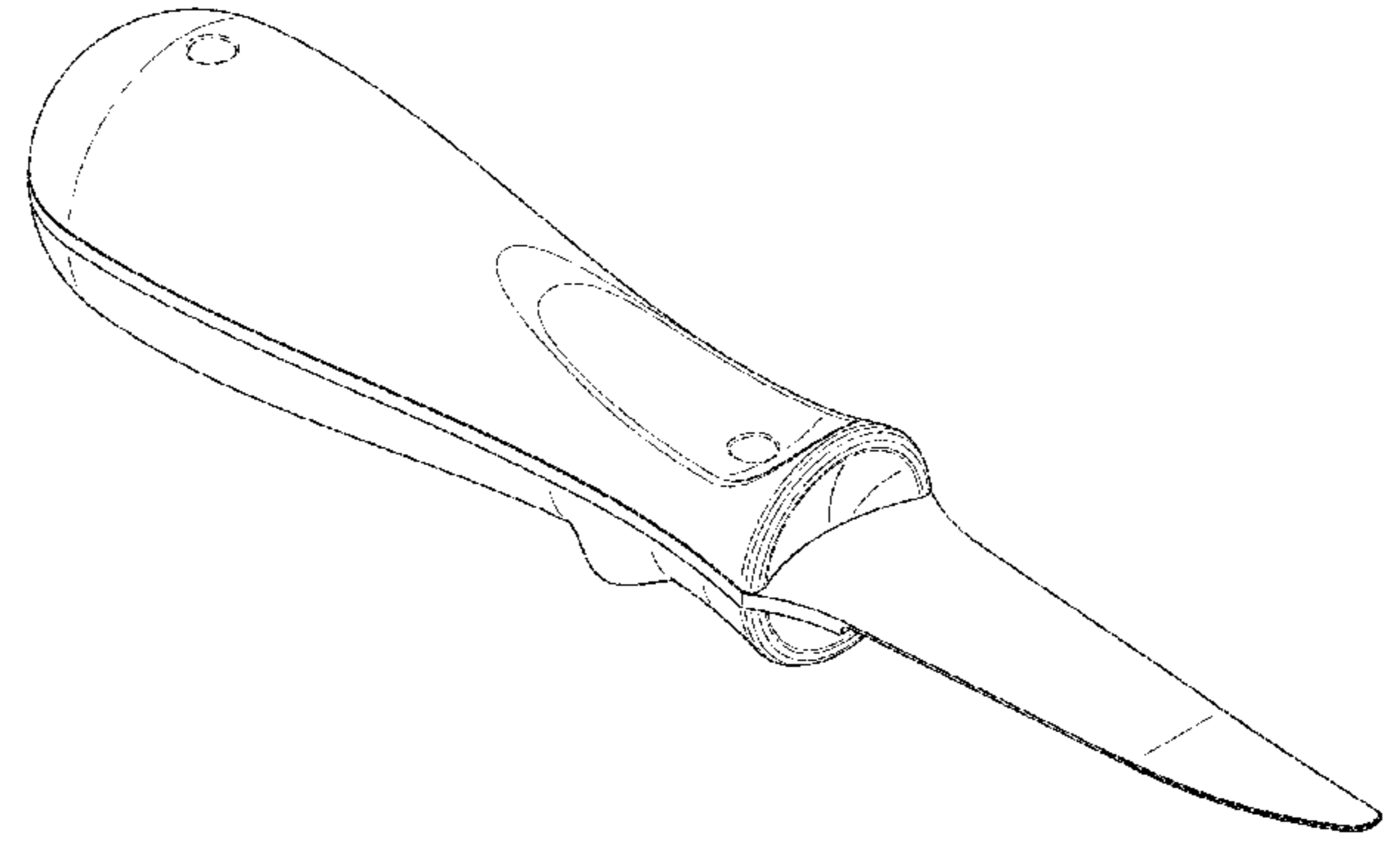


FIG. 32 is a lower perspective view of the knife blade design of FIG. 25.

The broken line disclosure represents unclaimed portions of the knife in which the design is embodied.

**1 Claim, 28 Drawing Sheets**

(58) **Field of Classification Search**

CPC ..... A01B 1/20; A01B 1/22; A22C 25/006;  
A47G 21/06; A47G 21/065; A61B  
17/3211; A61B 17/3213; B21D 53/64;  
B25G 3/26; B25G 3/36; B26B 1/00;  
B26B 1/08; B26B 1/10; B26B 3/00;  
B26B 3/02; B26B 3/03; B26B 3/04;  
B26B 3/06; B26B 5/00; B26B 5/001;  
B26B 5/007; B26B 7/00; B26B 7/005;  
B26B 9/00; B26B 9/02; B26B 11/00;

(56)

B26B 11/006; B26B 17/00; B26B 17/006;  
B26B 29/02

See application file for complete search history.

**References Cited**

U.S. PATENT DOCUMENTS

D230,563	S	*	3/1974	Alwin .....	D28/59
D256,548	S	*	8/1980	Grunstad .....	D7/649
D275,166	S	*	8/1984	Laslo .....	D7/650
D310,015	S	*	8/1990	Evenson .....	D8/102
D312,564	S	*	12/1990	Tam .....	D8/102
D326,393	S	*	5/1992	Wilhite .....	D7/649
D389,390	S	*	1/1998	Roberts .....	D19/65
D391,464	S	*	3/1998	Barre .....	D8/99
D490,290	S	*	5/2004	Norton .....	D32/46
D597,707	S	*	8/2009	Lee .....	D28/59
D831,440	S	*	10/2018	Hu .....	D7/649

\* cited by examiner

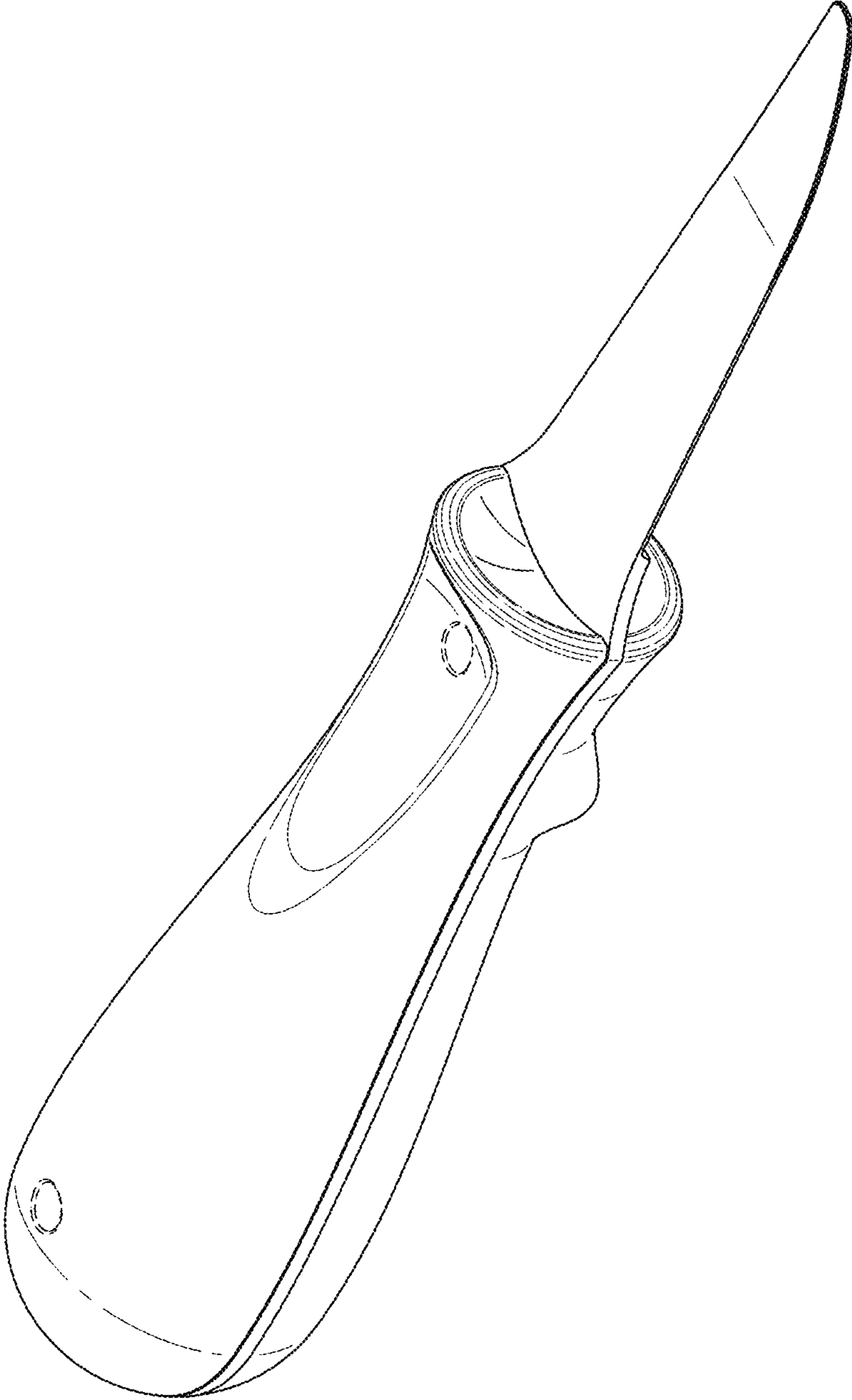


FIG. 1

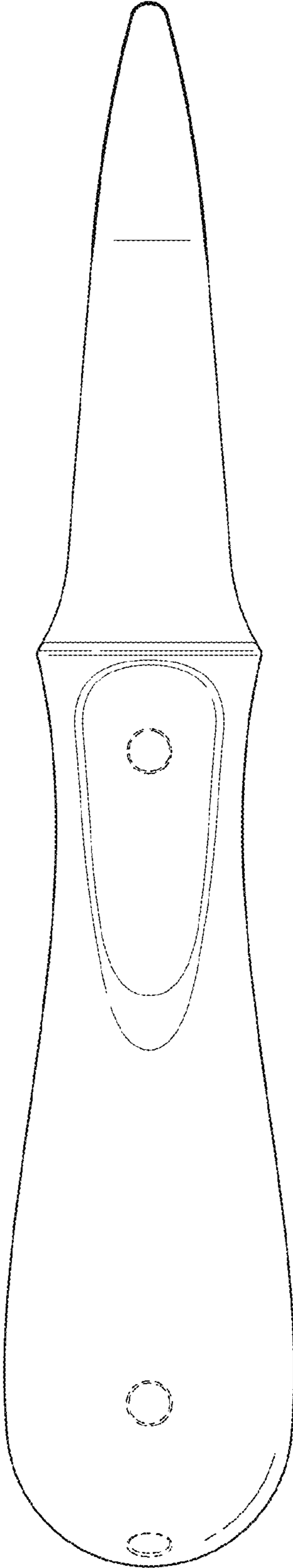


FIG. 2

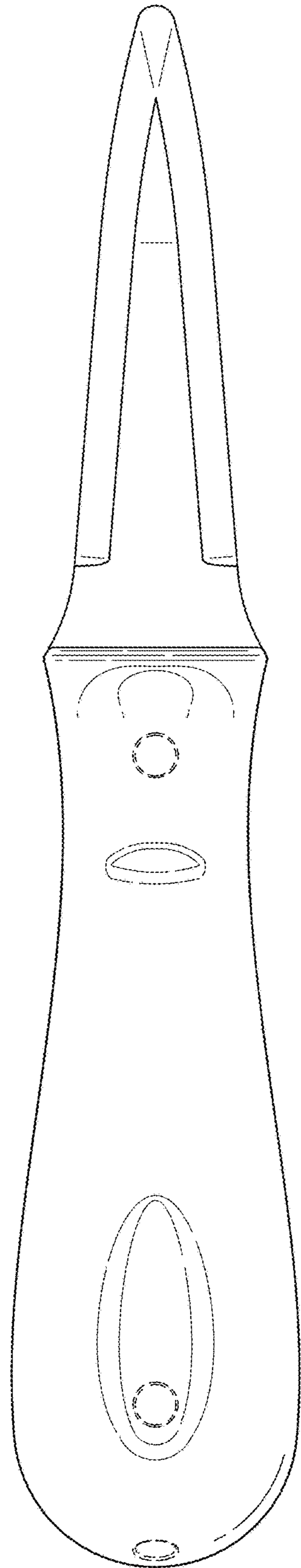


FIG. 3

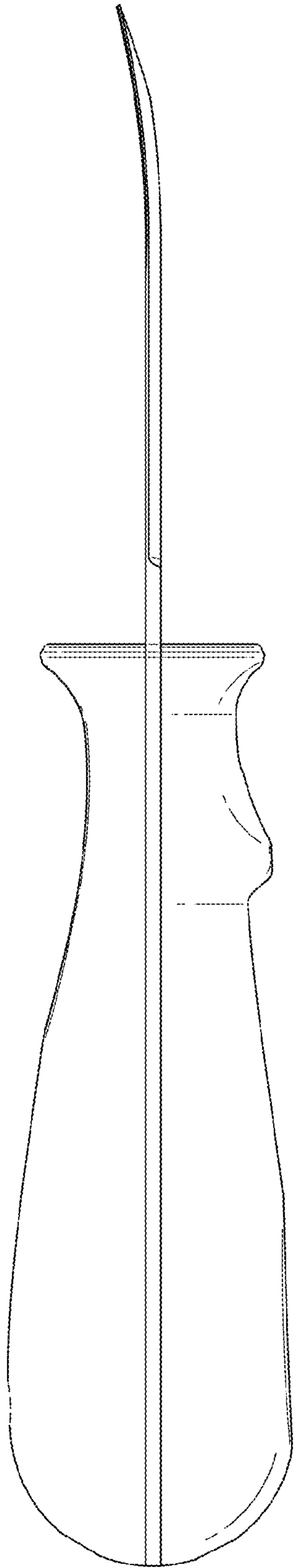


FIG. 4

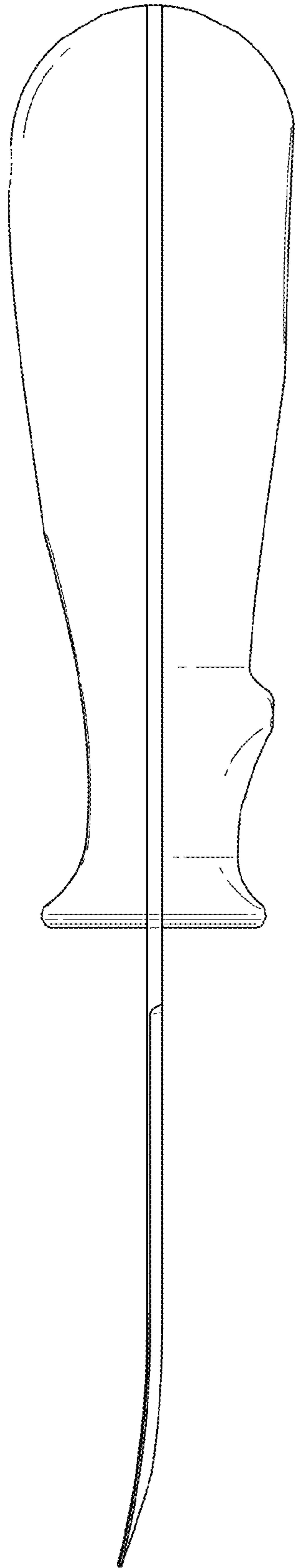


FIG. 5

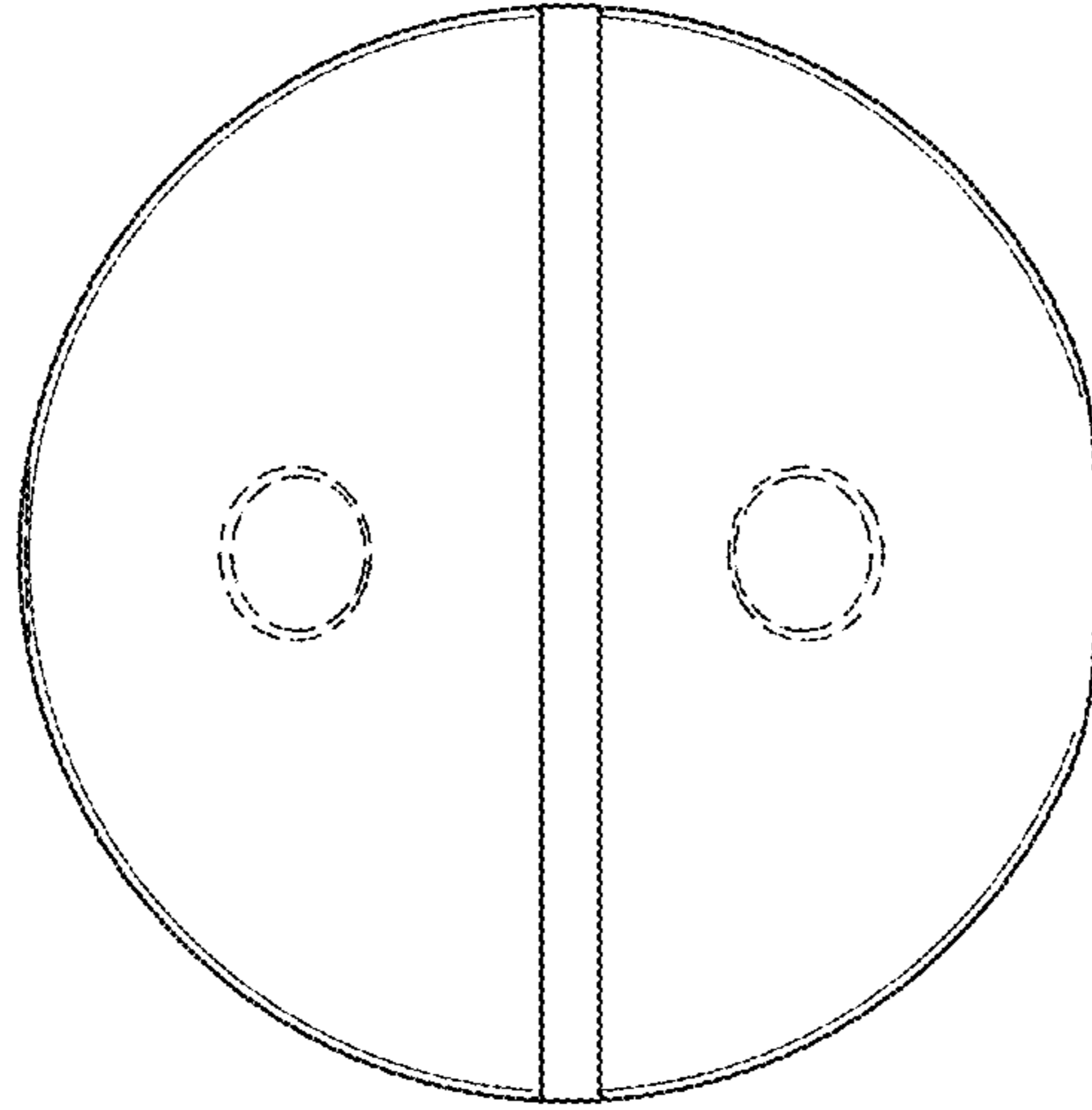


FIG. 7

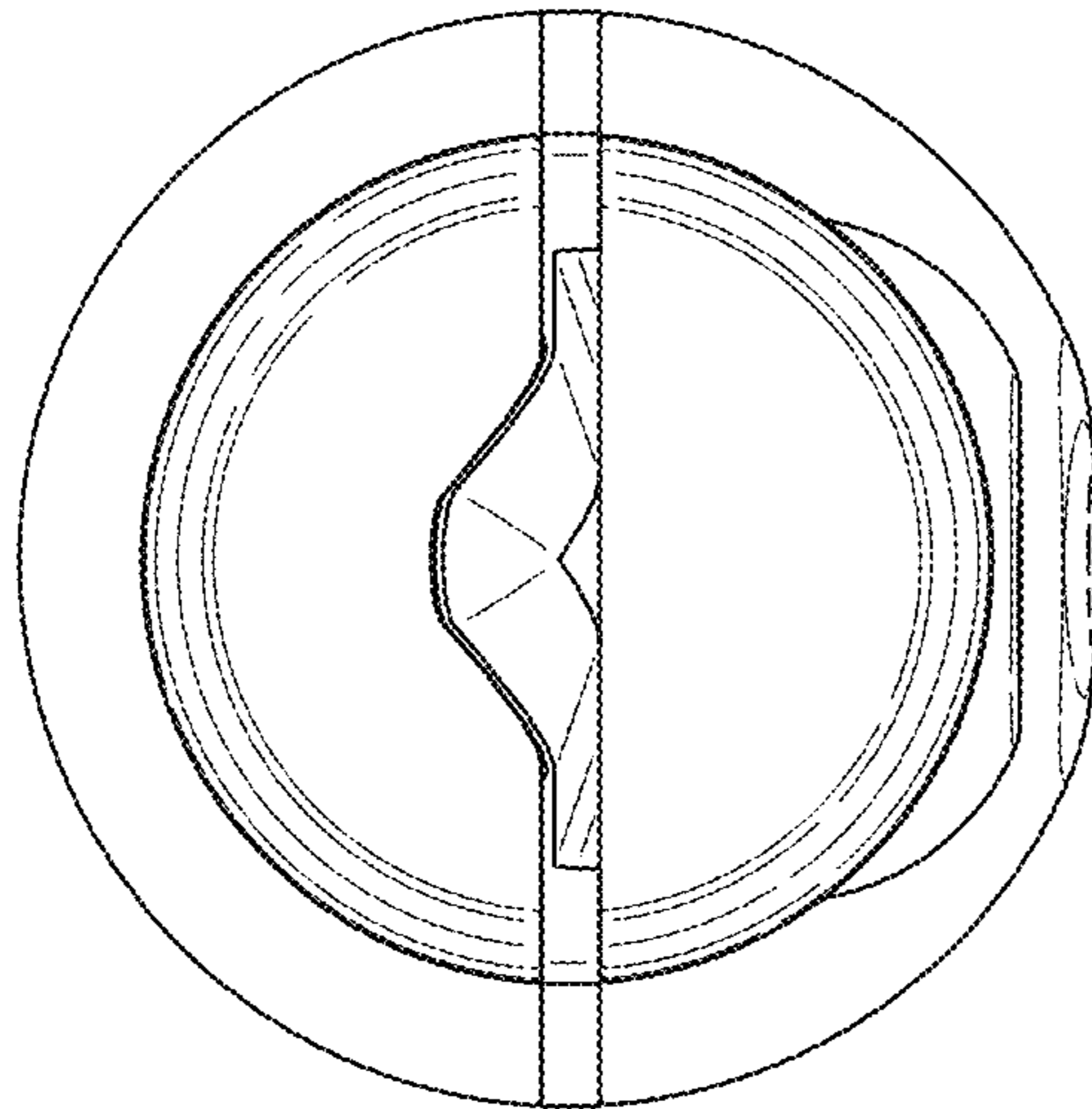


FIG. 6



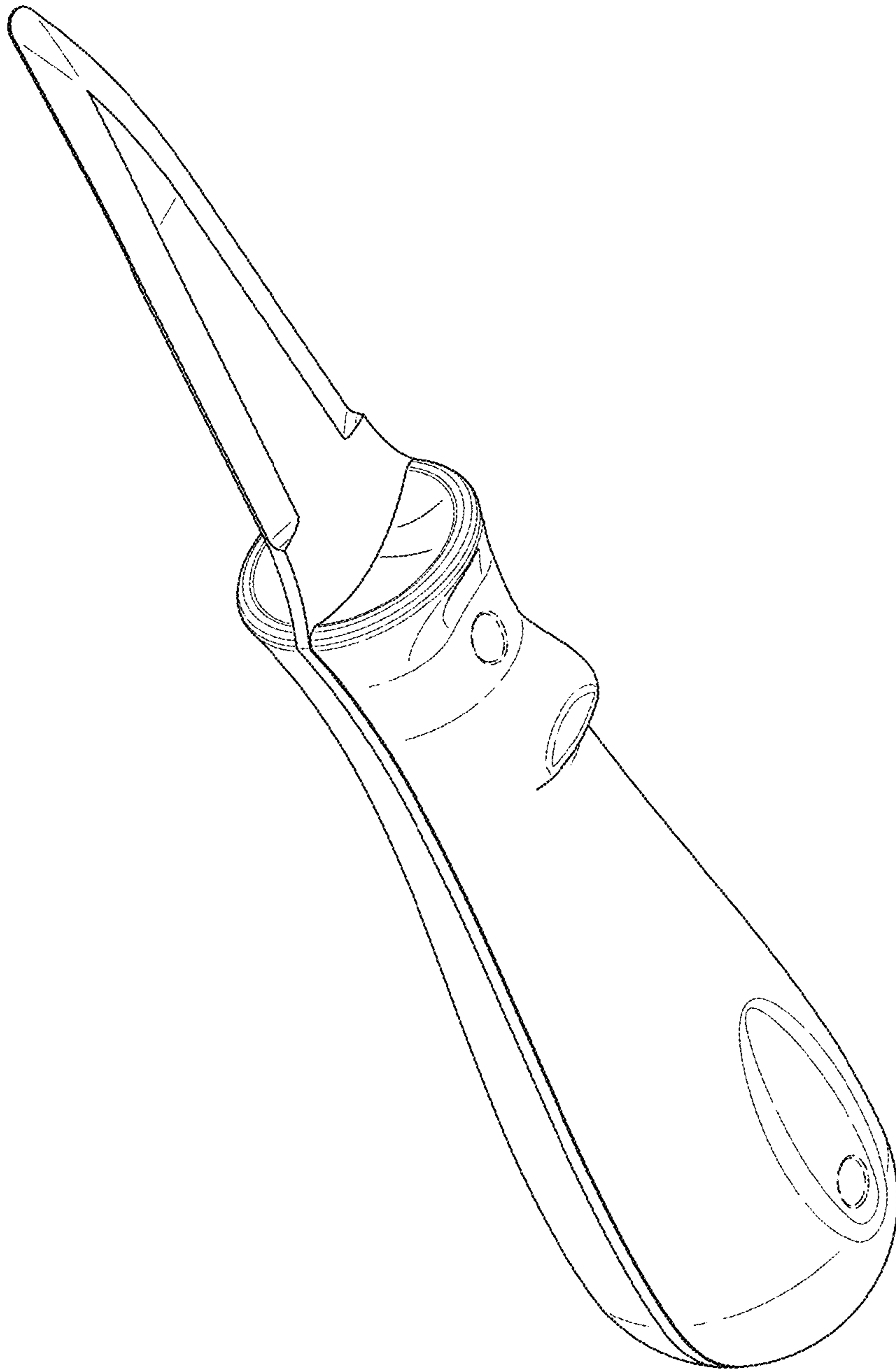


FIG. 8

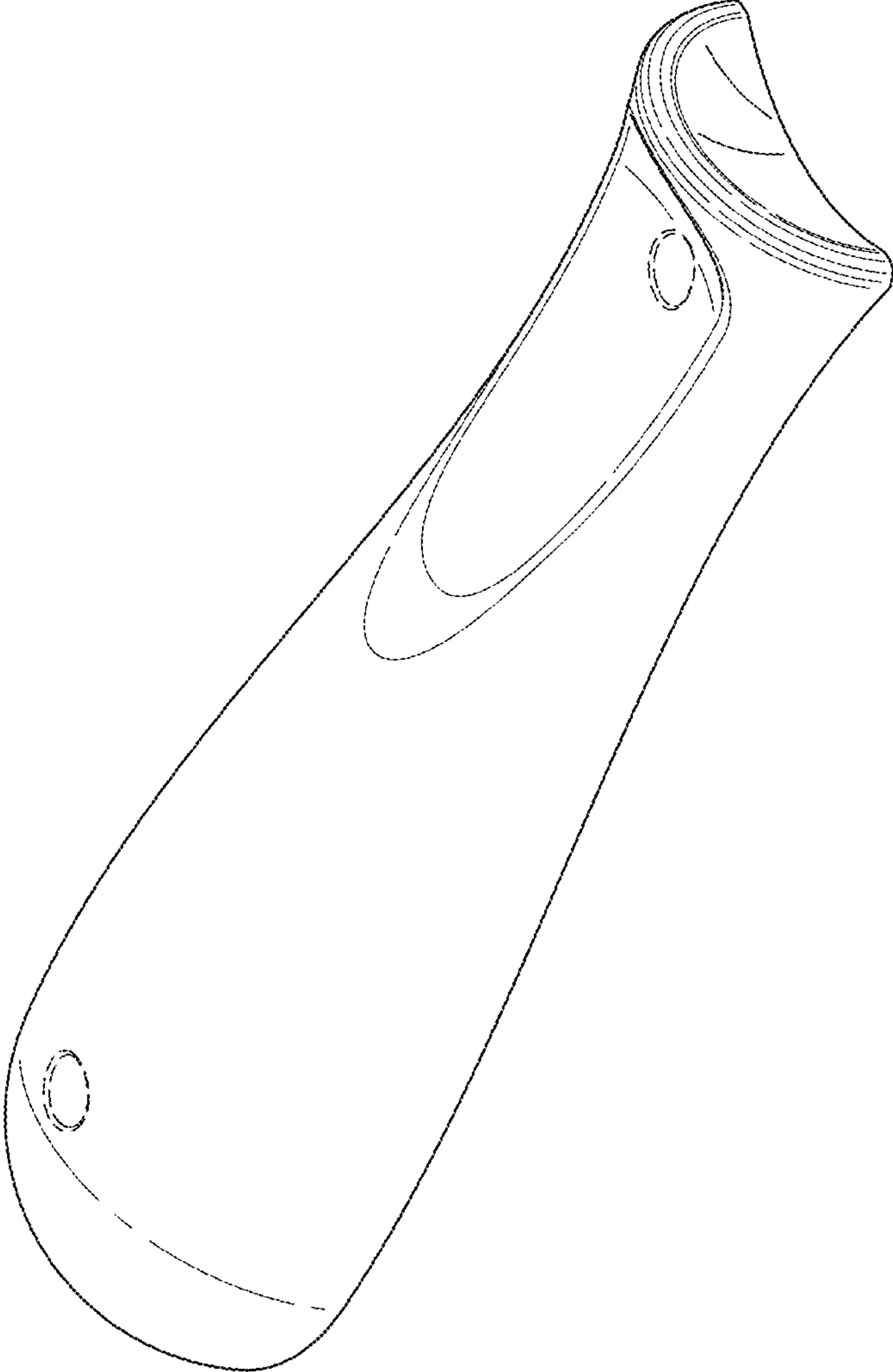


FIG. 9

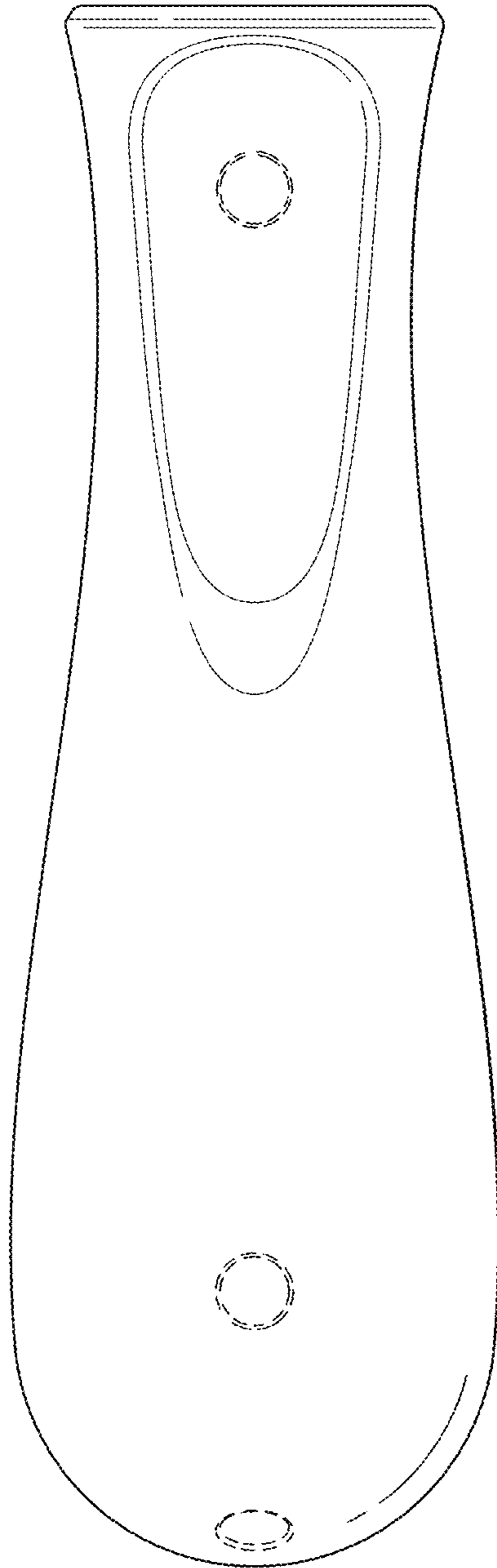


FIG. 10

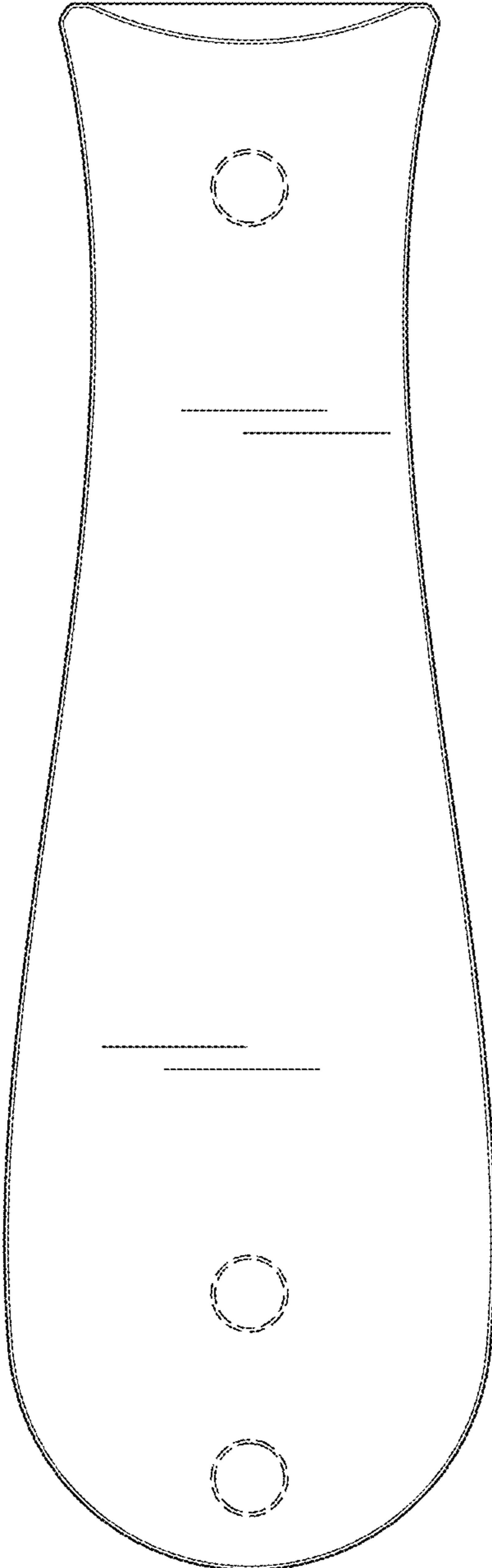


FIG. 11

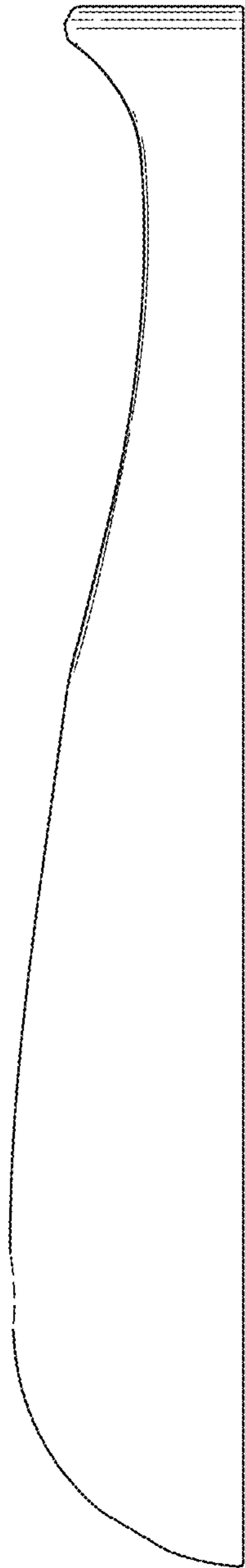


FIG. 12

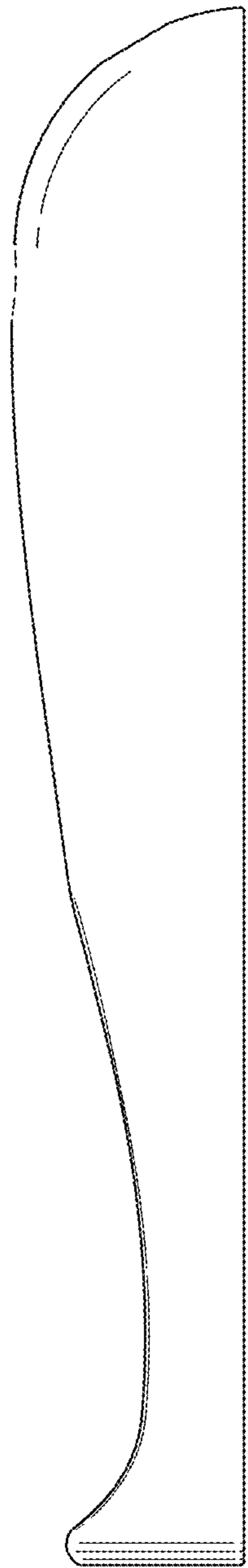


FIG. 13

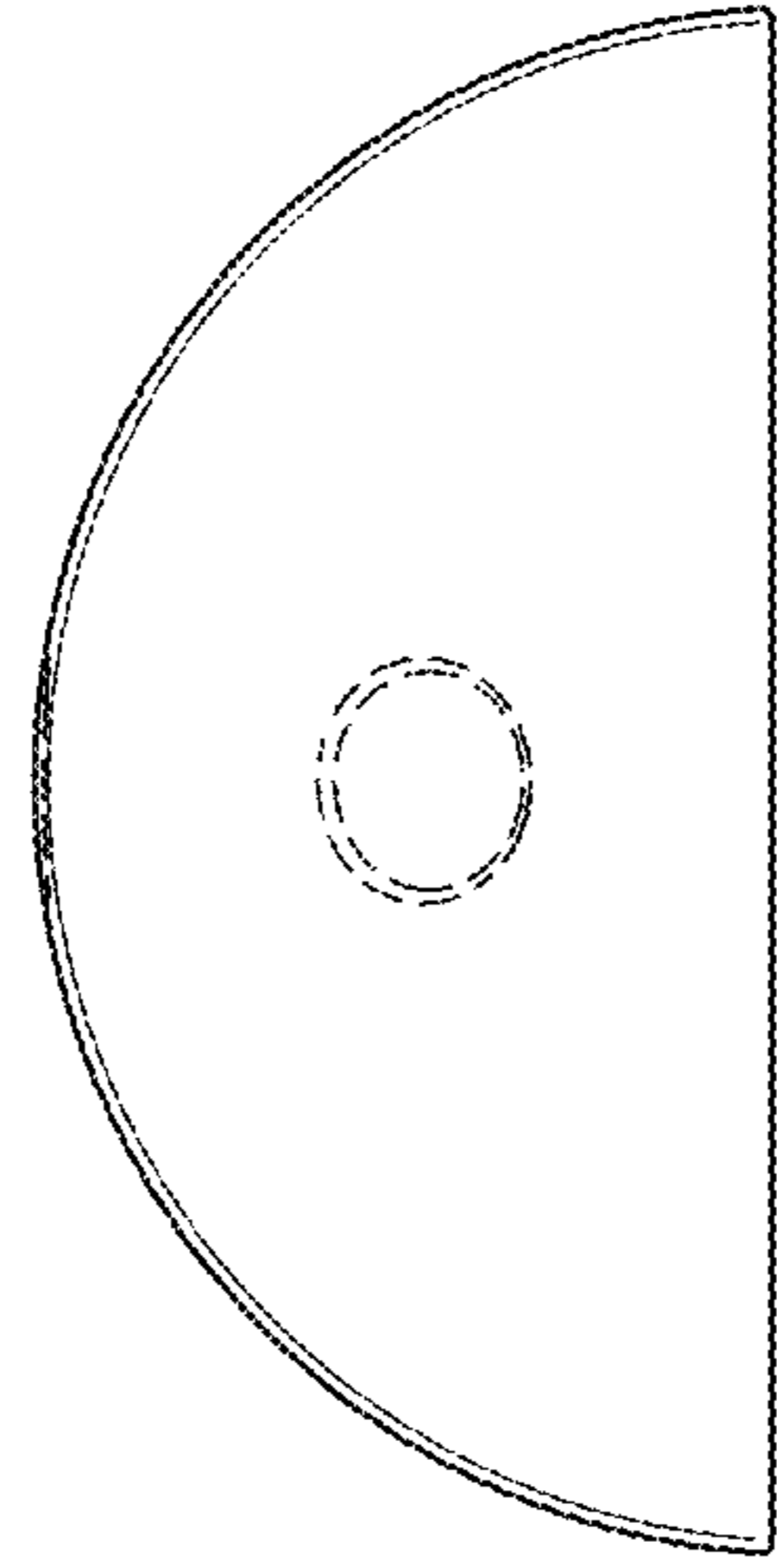


FIG. 15

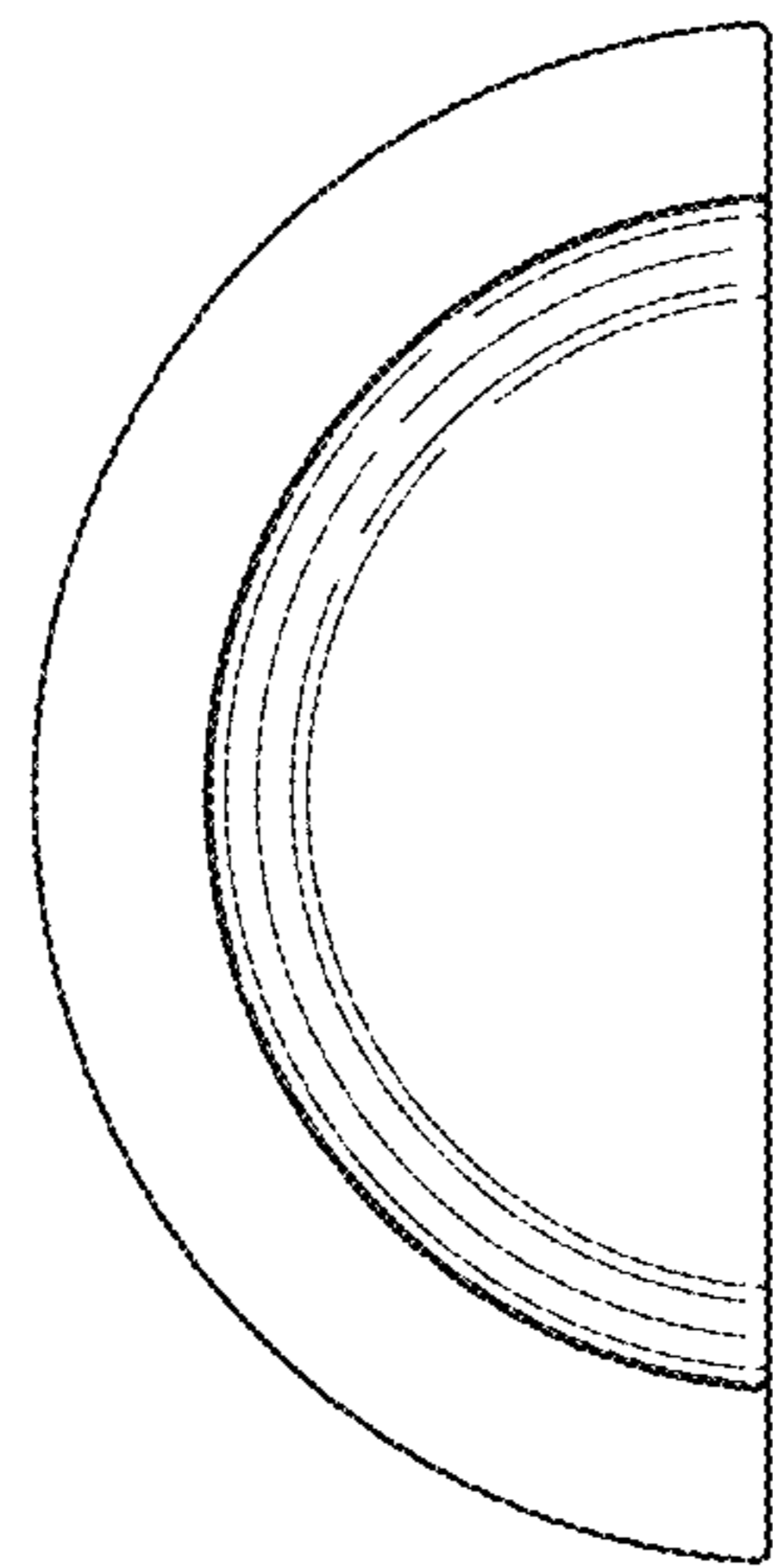


FIG. 14

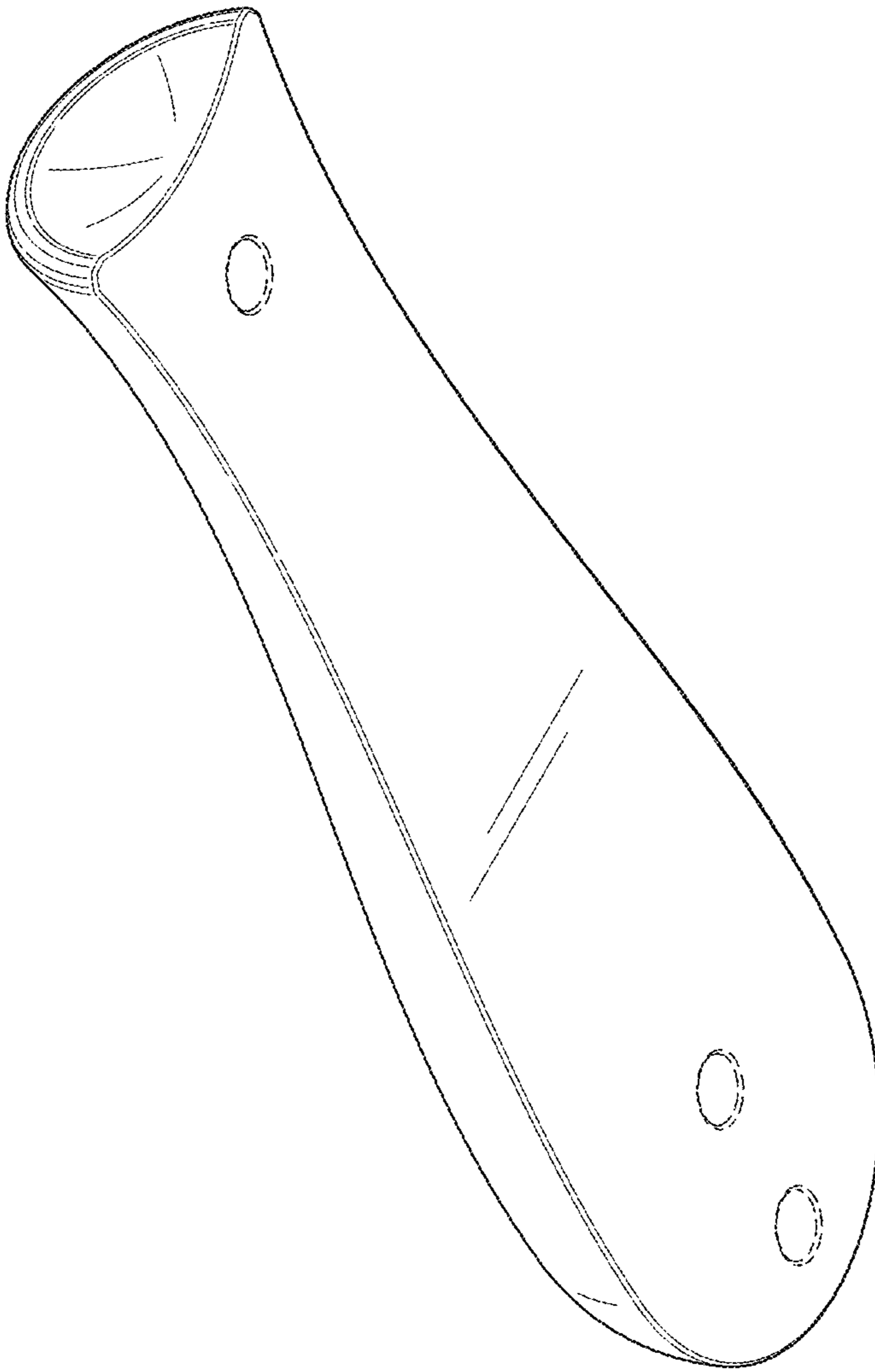


FIG. 16



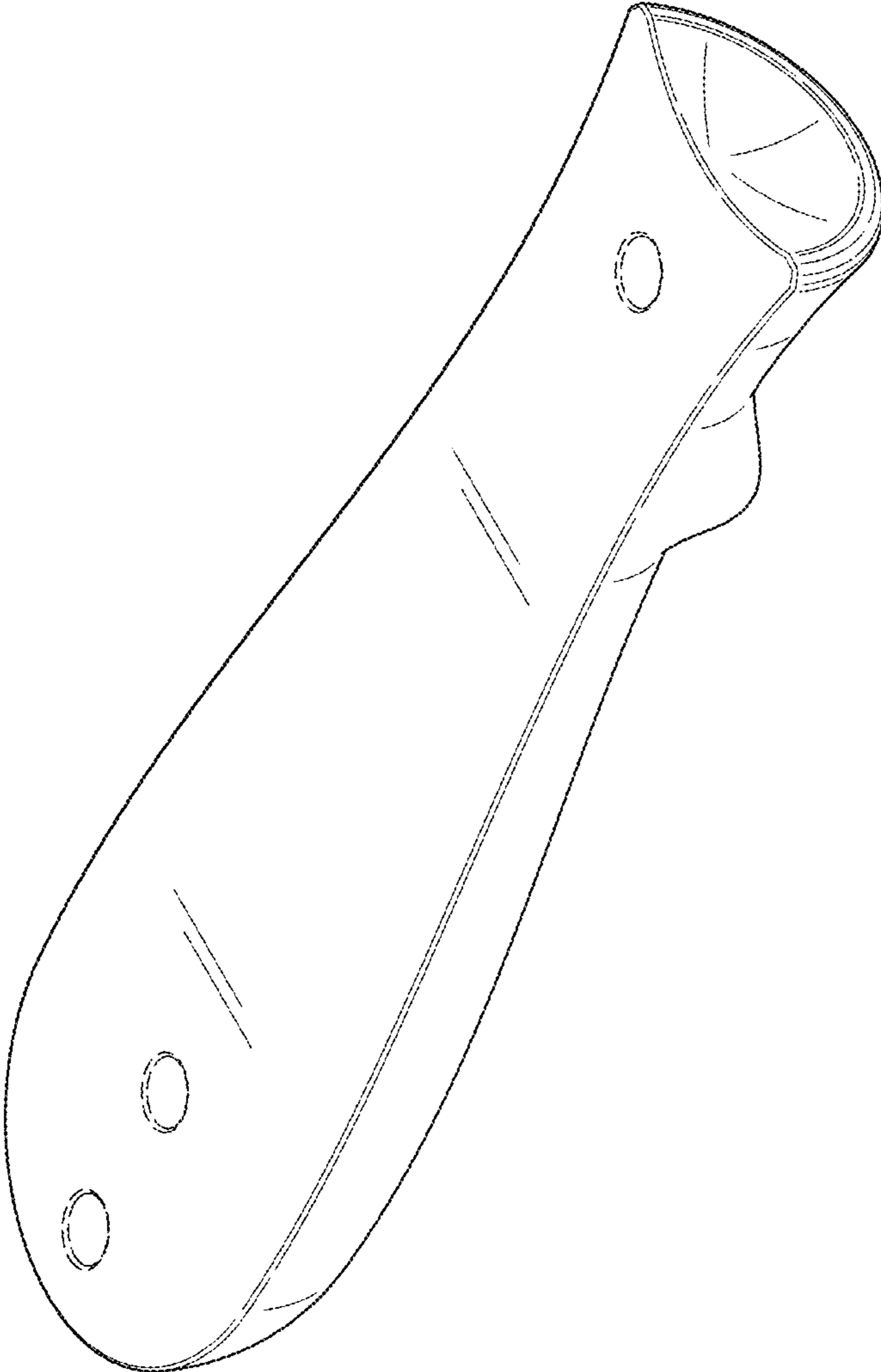


FIG. 17

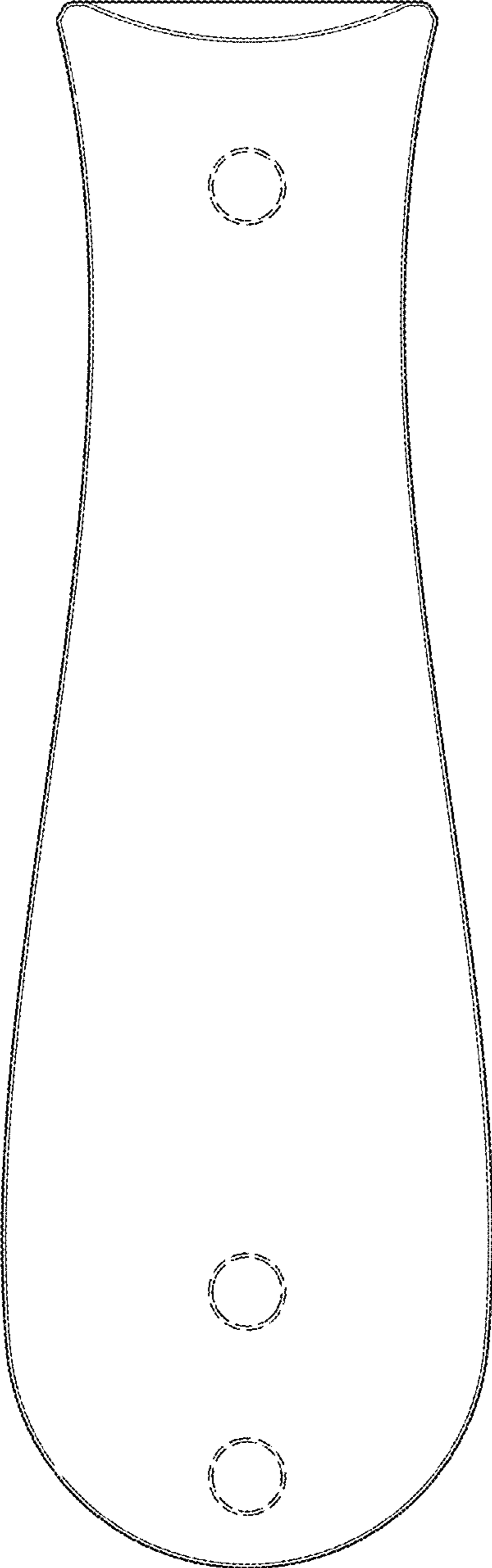


FIG. 18

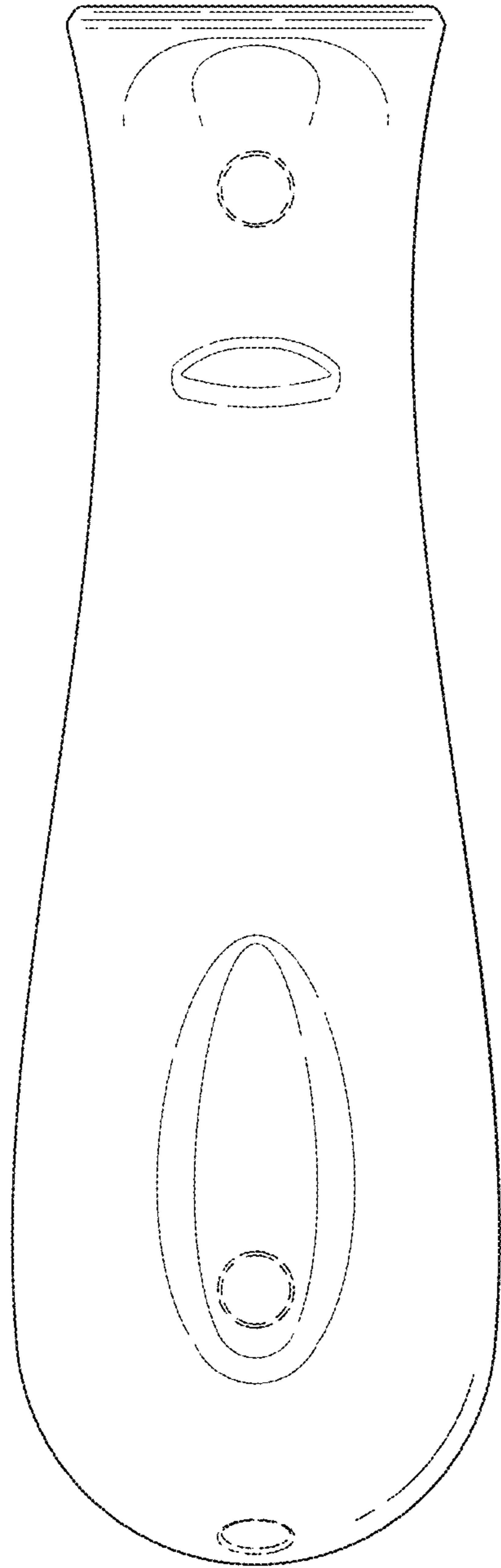


FIG. 19

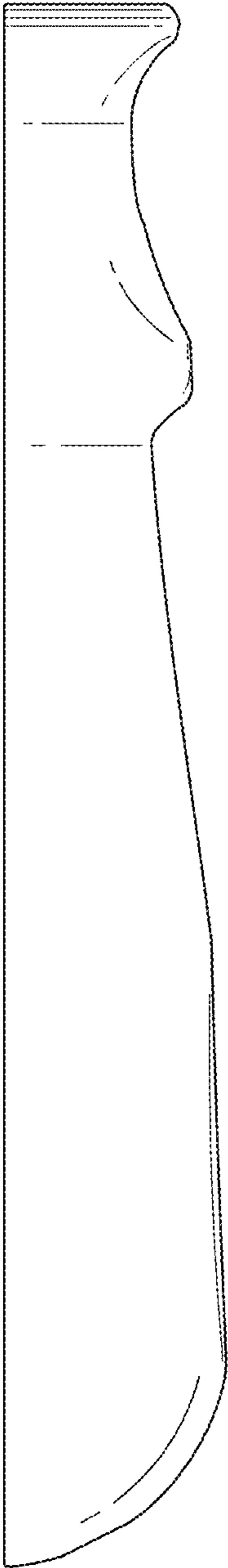
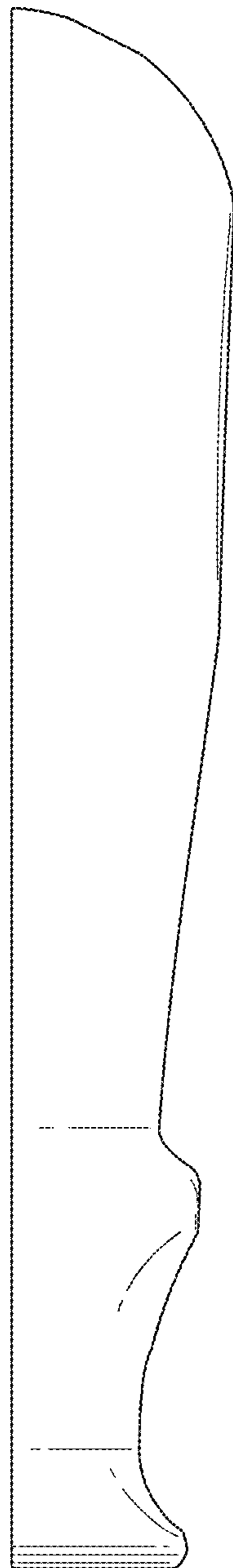


FIG. 20



*FIG. 21*

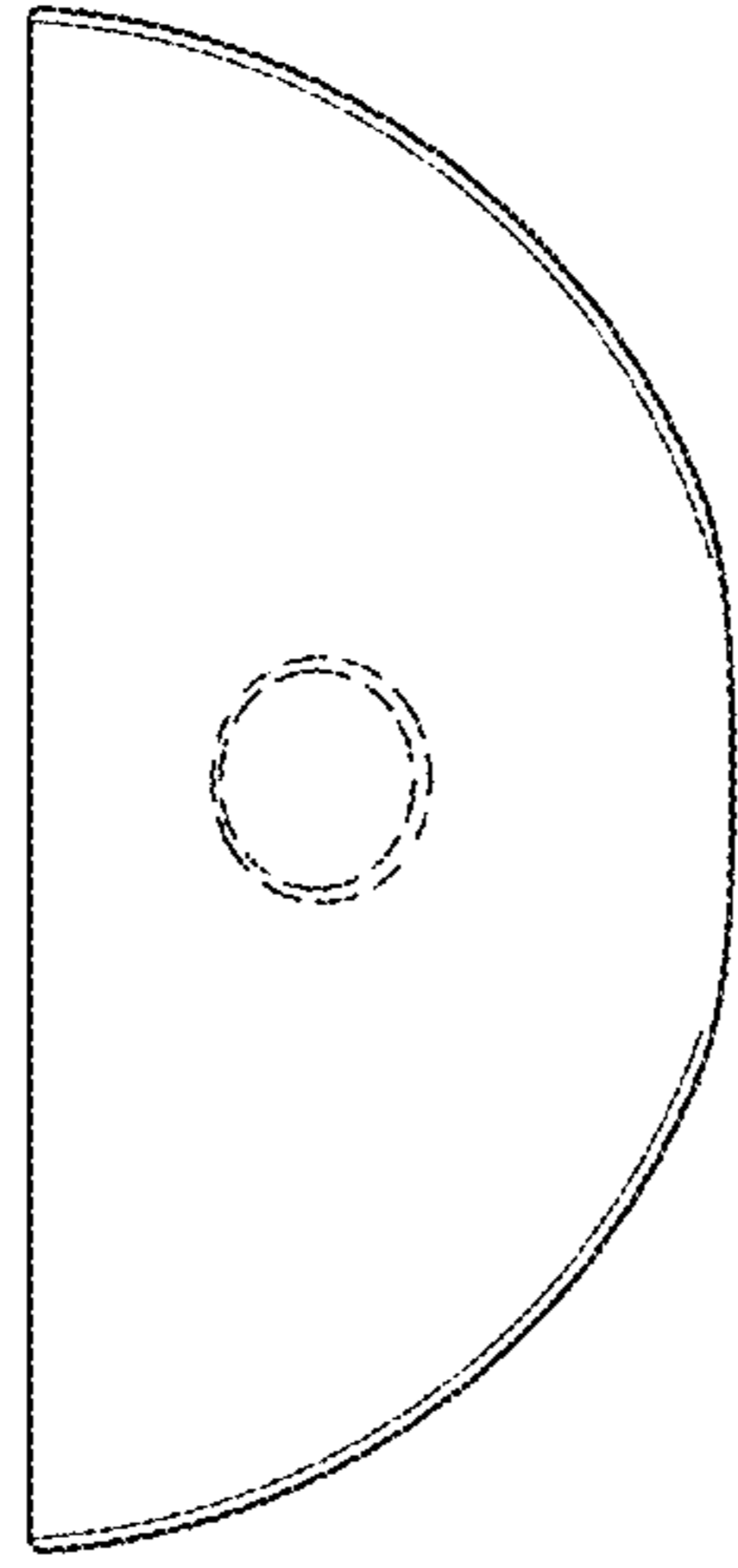


FIG. 23

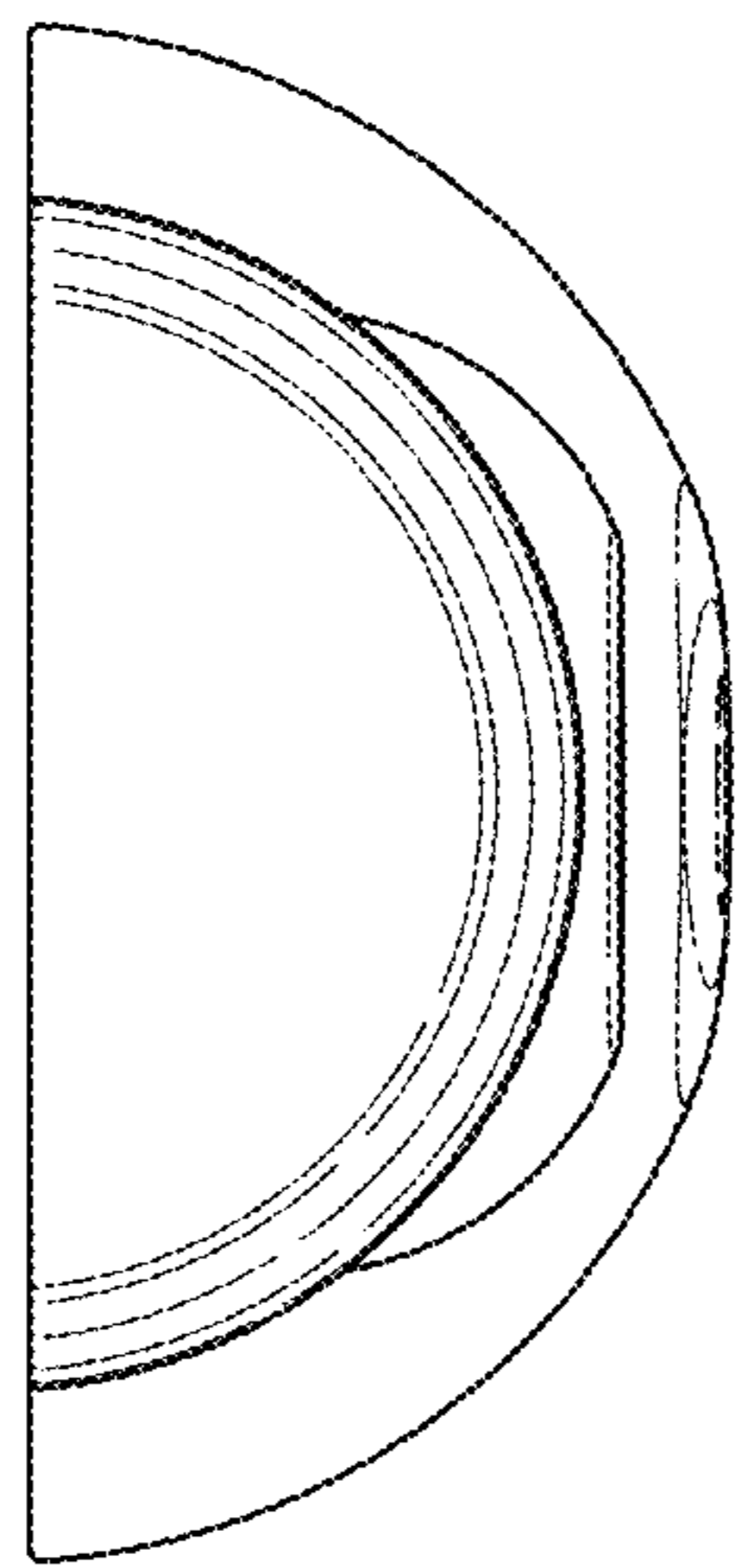


FIG. 22

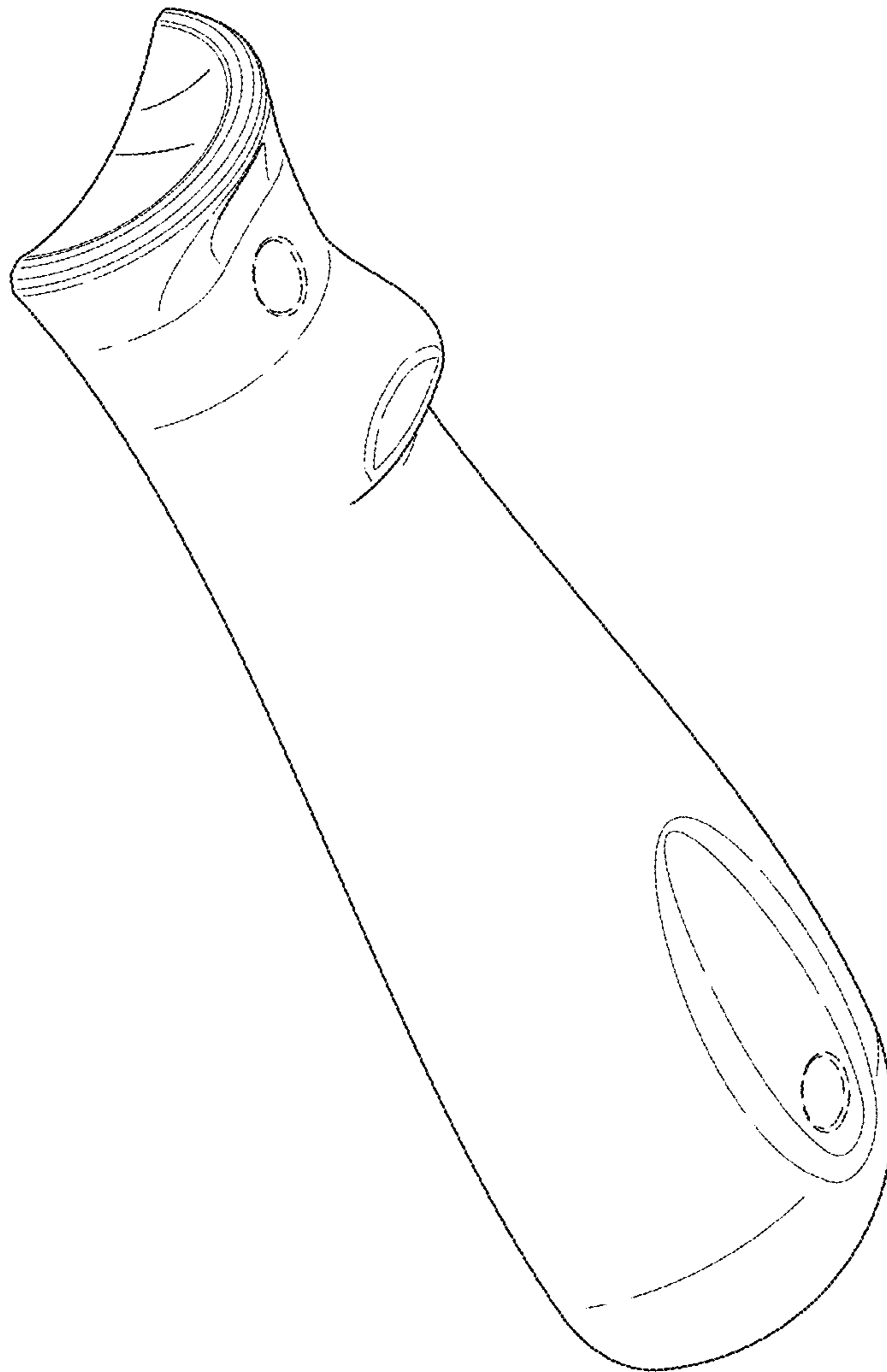


FIG. 24

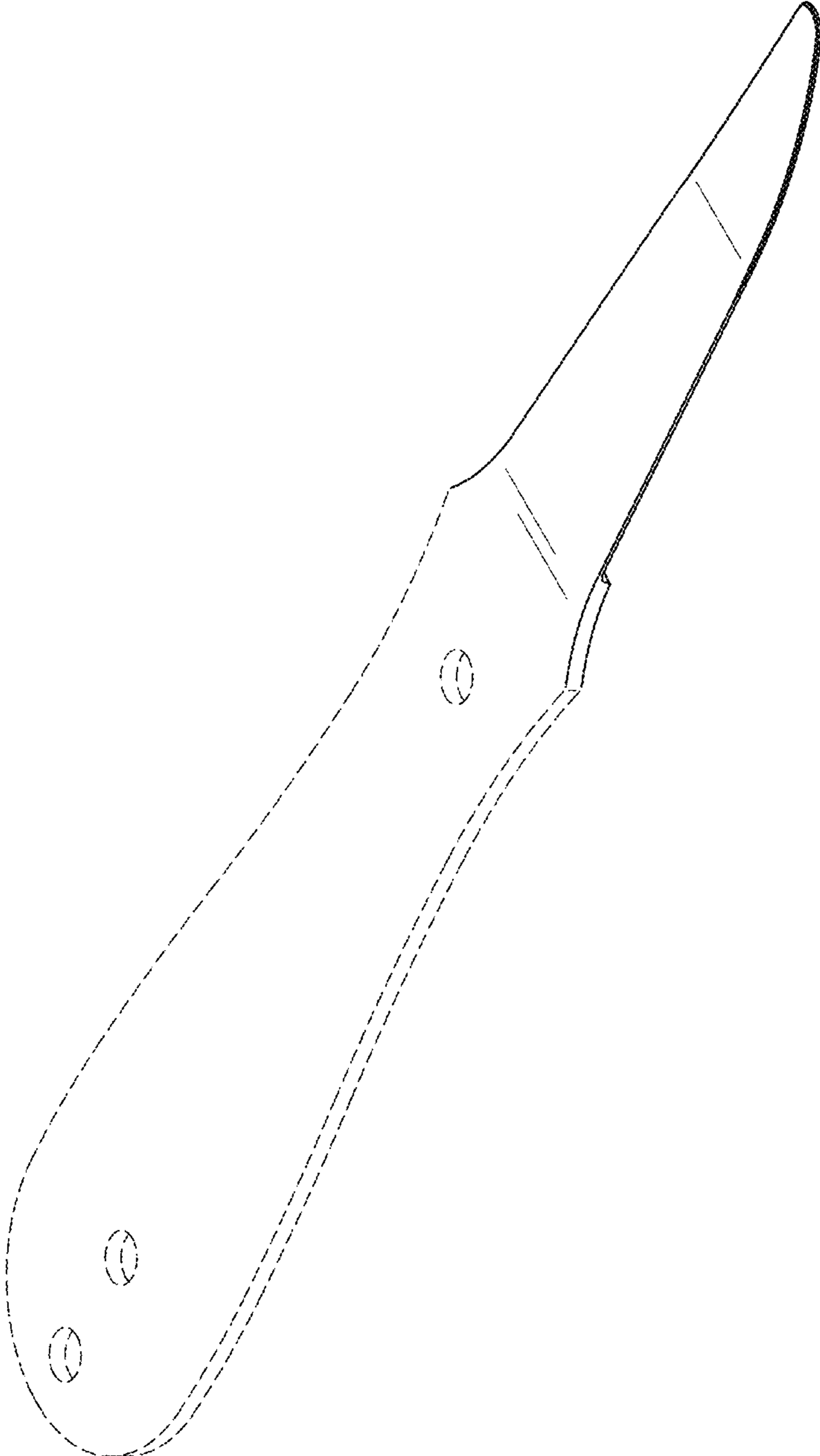


FIG. 25



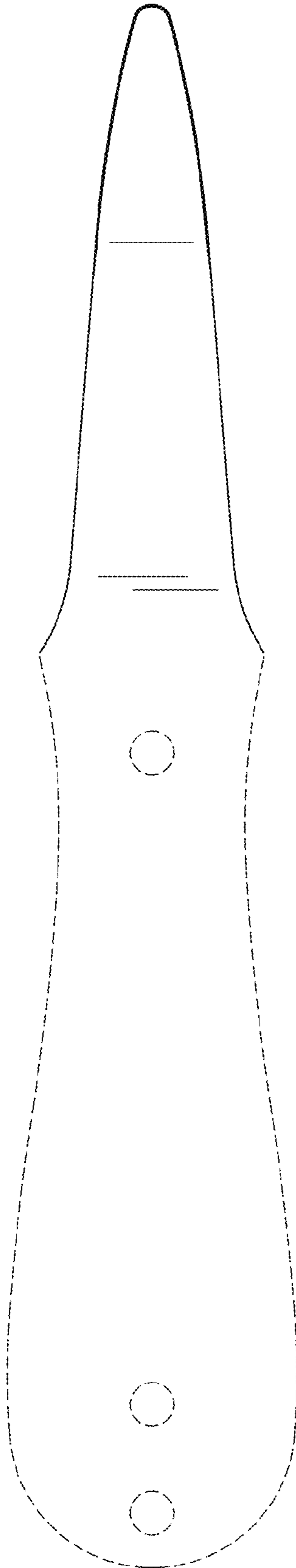


FIG. 26

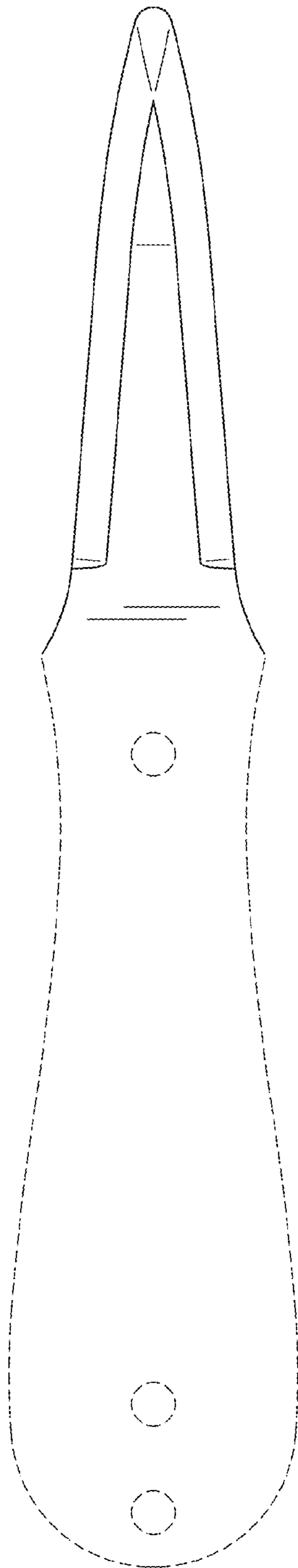


FIG. 27

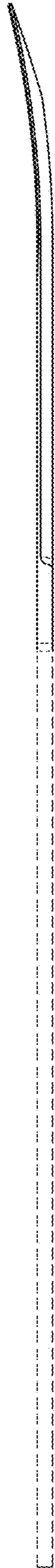


FIG. 28

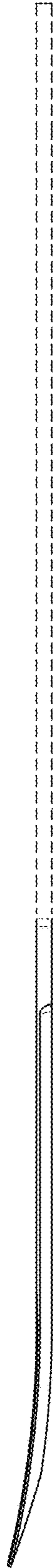


FIG. 29



FIG. 30

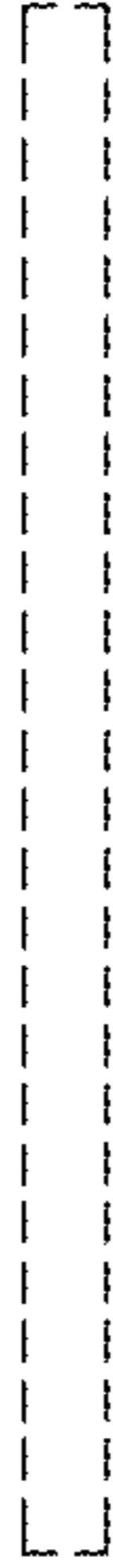


FIG. 31

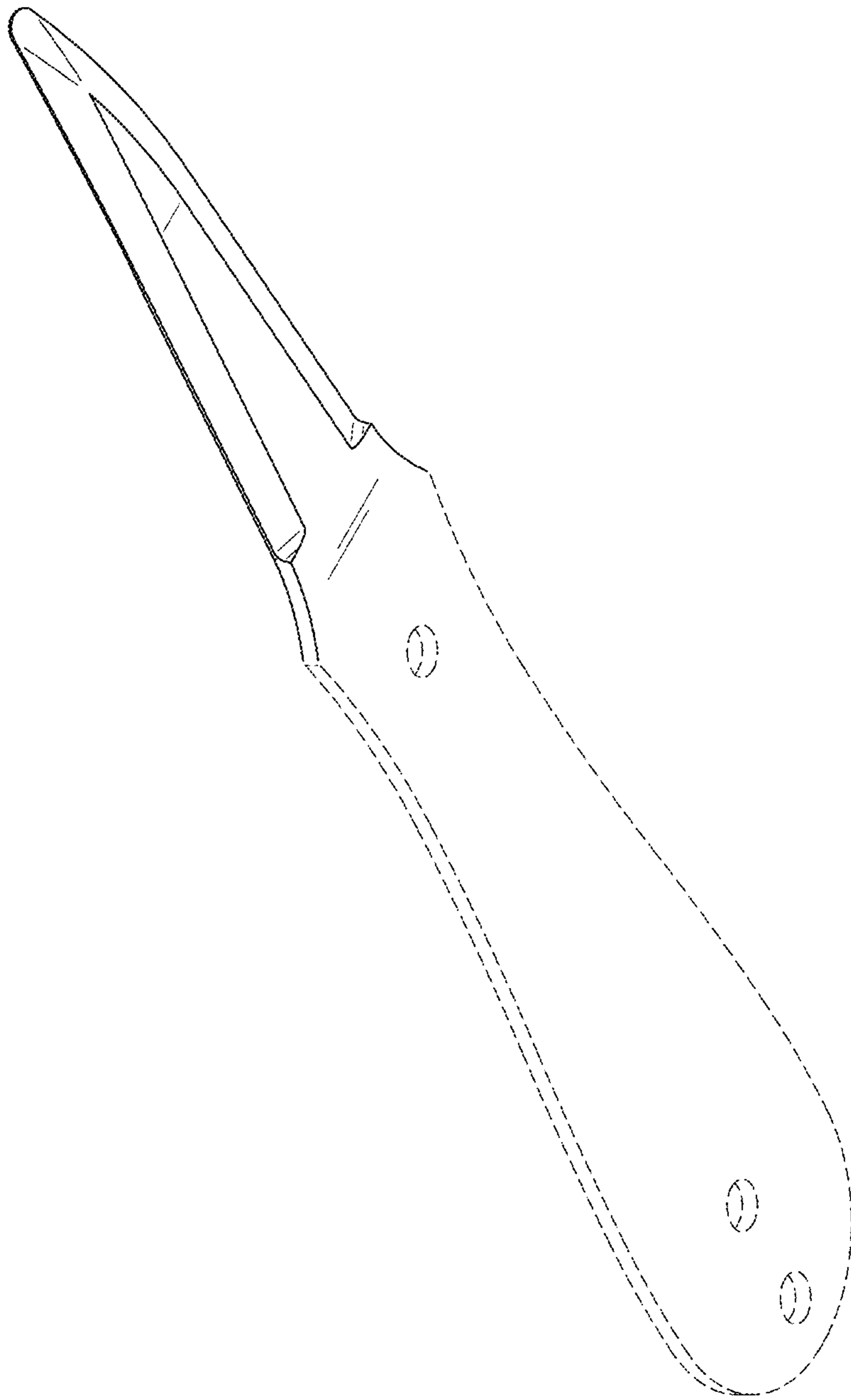


FIG. 32