



US00D852004S

(12) **United States Design Patent**
Yip

(10) **Patent No.:** **US D852,004 S**
(45) **Date of Patent:** **** Jun. 25, 2019**

- (54) **SPOON**
- (71) Applicant: **Kim Hung Yip**, Hong Kong (HK)
- (72) Inventor: **Kim Hung Yip**, Hong Kong (HK)
- (73) Assignees: **Jingbang Su**, Dongguan (CN); **Kim Hung Yip**, Hong Kong (HK)
- (**) Term: **15 Years**
- (21) Appl. No.: **29/648,945**
- (22) Filed: **May 24, 2018**
- (30) **Foreign Application Priority Data**

- 4,809,435 A * 3/1989 Printz A47G 21/02
294/3
- 5,056,173 A * 10/1991 Brincat A47G 21/02
294/51
- 5,373,640 A * 12/1994 Cordeiro, Jr. A47G 21/023
294/99.2
- 6,457,238 B1 * 10/2002 Maier A47G 21/08
294/50.8
- D539,615 S * 4/2007 Weaver D7/643
- D601,389 S * 10/2009 Brown D7/642
- 7,878,563 B2 * 2/2011 Beckham A47G 21/103
294/218
- D833,833 S * 11/2018 Hanscom D7/643
- 10,136,745 B1 * 11/2018 Reed A47G 21/02
- 2009/0241347 A1 * 10/2009 Weaver A47G 21/06
30/142
- 2014/0059783 A1 * 3/2014 Lu A47G 21/02
7/158

- Mar. 30, 2018 (CN) 2018 3 0130986
- (51) **LOC (11) Cl.** **07-03**
- (52) **U.S. Cl.**
USPC **D7/643**; D7/642; D7/653

* cited by examiner

Primary Examiner — Ricky Pham

- (58) **Field of Classification Search**
USPC D7/368, 401.2, 642–645, 653–664, 669,
D7/675–677, 683, 686, 688–689, 691;
D8/107, 300–301; D22/117–118
CPC ... A01D 9/02; A01D 9/04; A01D 9/06; A47G
21/00; A47G 21/004; A47G 21/005;
A47G 21/02; A47G 21/023; A47G 21/04;
A47G 21/06; A47G 21/08; A47G 21/10;
A47G 21/103; A47J 43/28; A47J 43/281;
A47J 43/282; A61F 13/10; A61J 7/0023;
B25G 1/00; B25G 1/01; B25G 1/02;
B25G 3/00; B65D 75/56; B65D 75/563;
B65D 75/566; B67B 7/00; B67B 7/724;
B67B 7/73

(57) **CLAIM**

The ornamental design for a spoon, as shown and described.

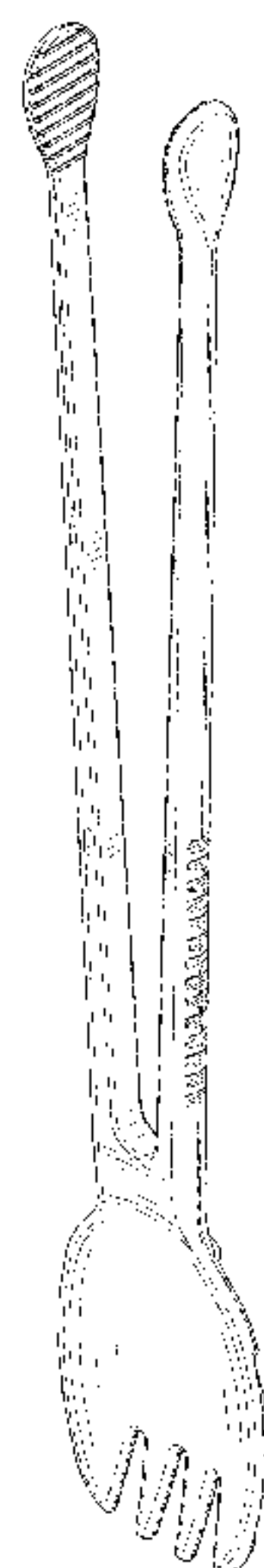
See application file for complete search history.

DESCRIPTION

FIG. 1 is a top, front and right side perspective view of a spoon showing our new design;
 FIG. 2 is a bottom, rear and left side perspective view thereof;
 FIG. 3 is a bottom, rear and right side perspective view thereof;
 FIG. 4 is a front elevational view thereof;
 FIG. 5 is a rear elevational view thereof;
 FIG. 6 is a left side view thereof;
 FIG. 7 is a right side view thereof;
 FIG. 8 is an enlarged view of portion 8 in FIG. 2; and,
 FIG. 9 is an enlarged view of portion 9 in FIG. 2.

- (56) **References Cited**
U.S. PATENT DOCUMENTS
174,646 A * 3/1876 Turner et al. A47G 21/06
7/112
D236,416 S * 8/1975 Davis D7/686

1 Claim, 9 Drawing Sheets



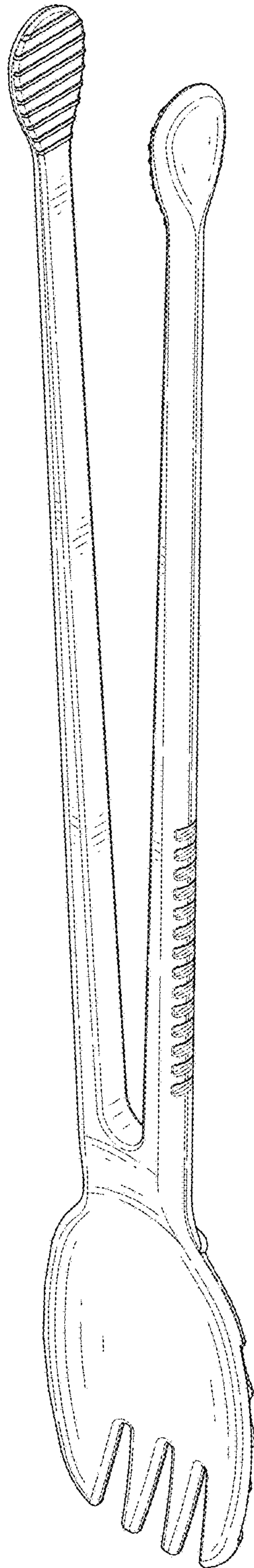


FIG. 1

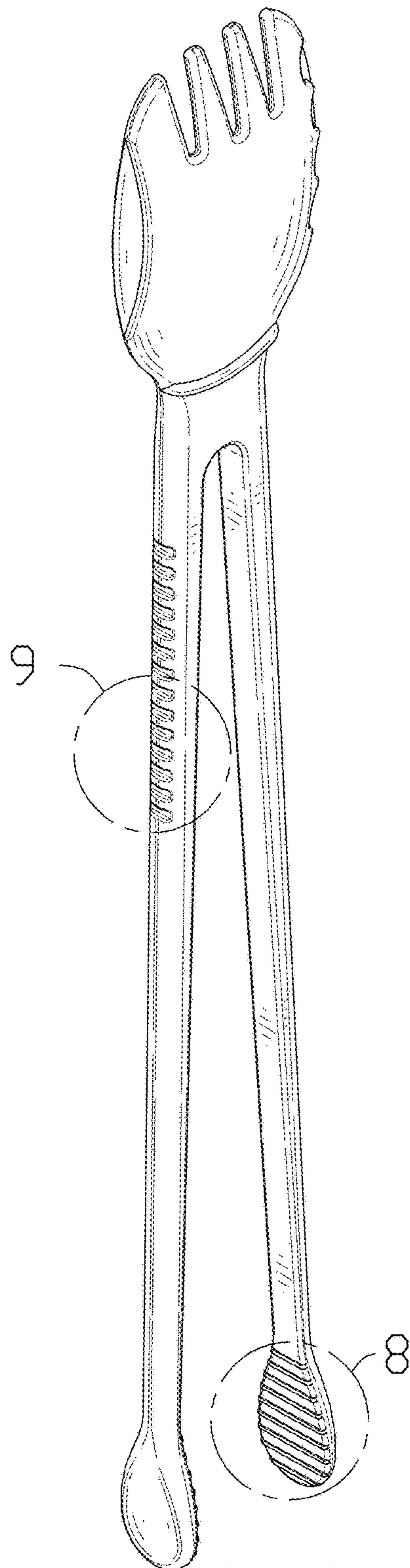


FIG. 2

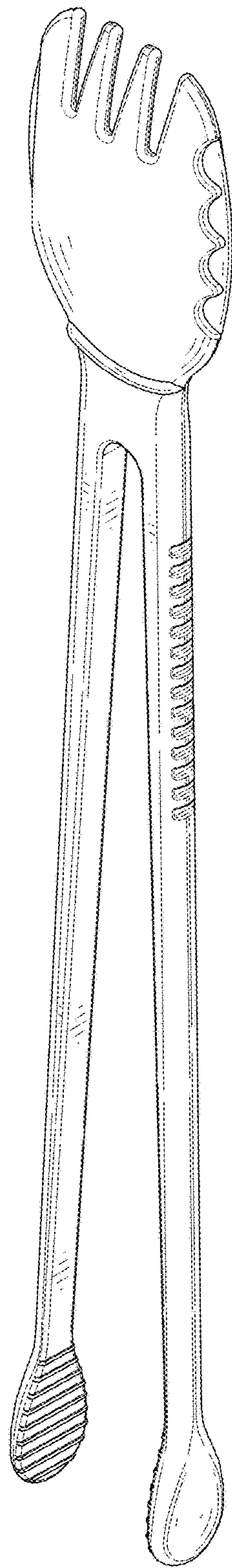


FIG. 3

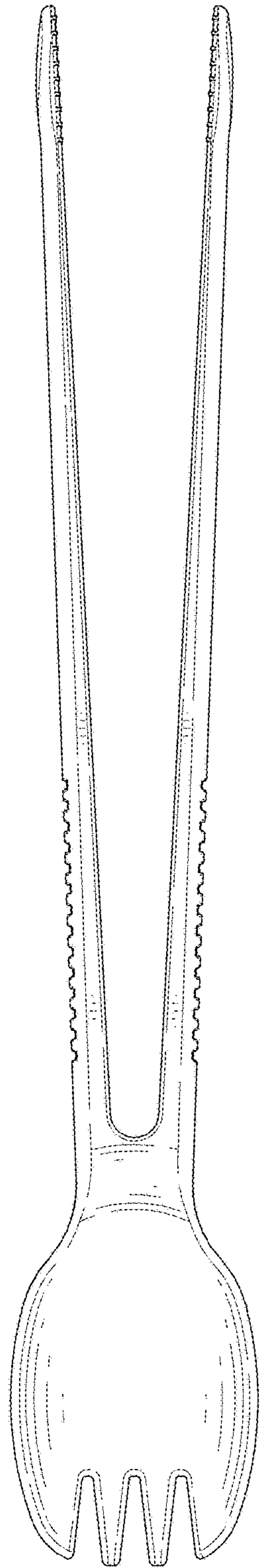


FIG. 4

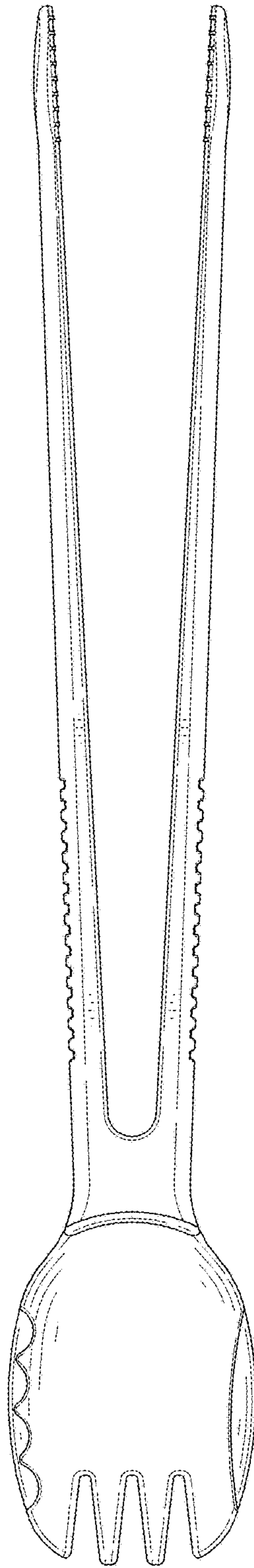


FIG. 5

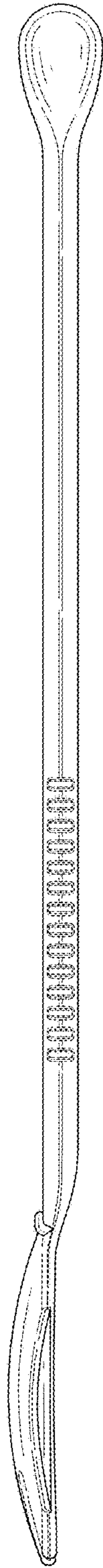


FIG. 6

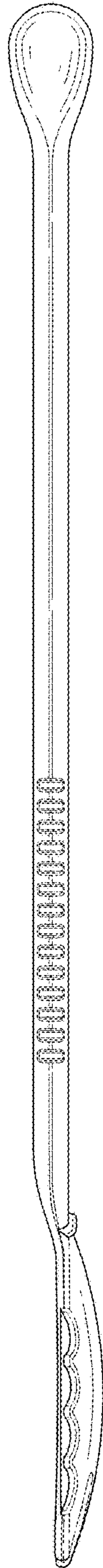


FIG. 7

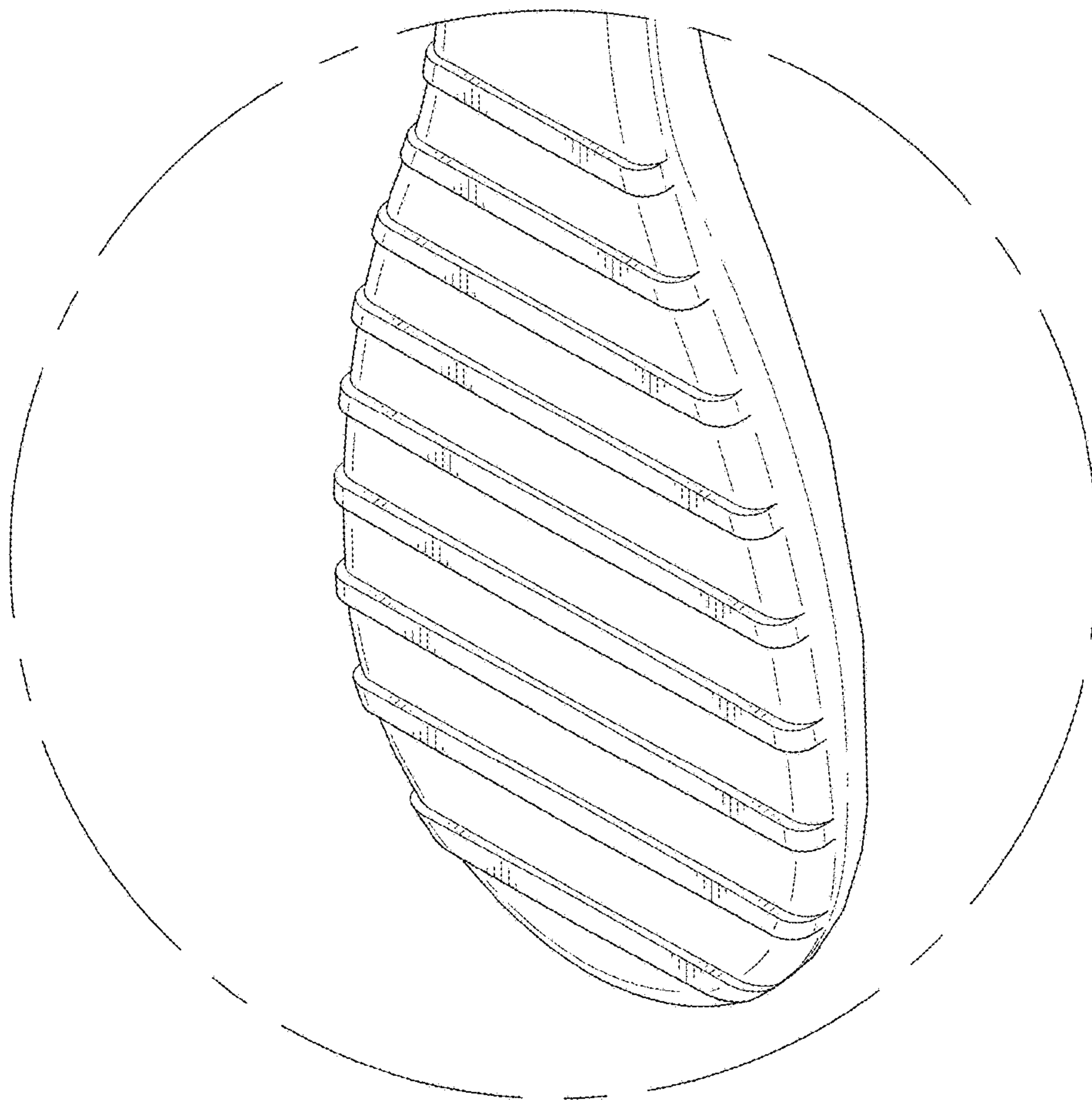


FIG. 8

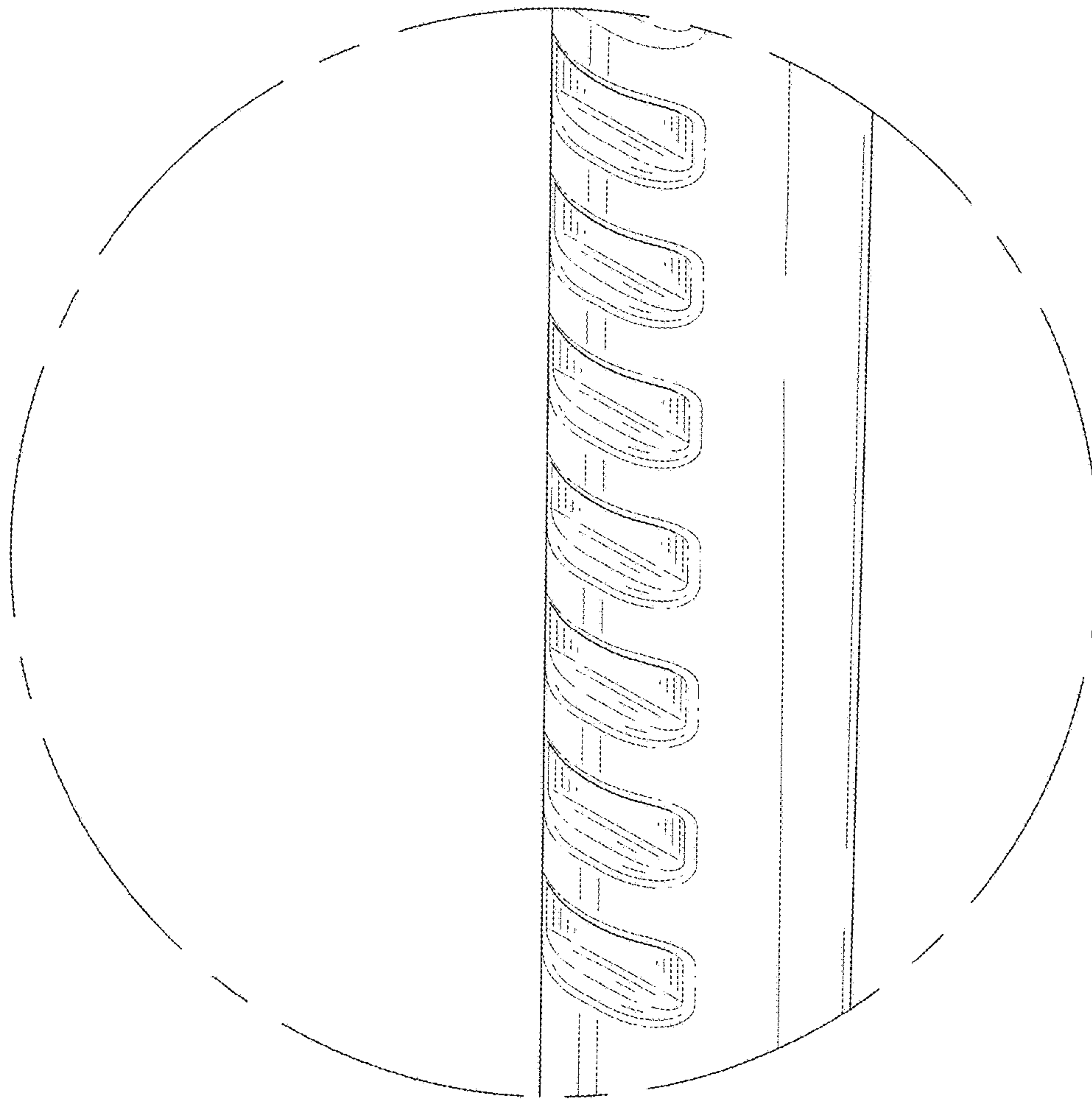


FIG. 9

UNITED STATES PATENT AND TRADEMARK OFFICE
CERTIFICATE OF CORRECTION

PATENT NO. : D852,004 S
APPLICATION NO. : 29/648945
DATED : June 25, 2019
INVENTOR(S) : Jingbang Su and Kim Hung Yip

Page 1 of 1

It is certified that error appears in the above-identified patent and that said Letters Patent is hereby corrected as shown below:

On the Title Page

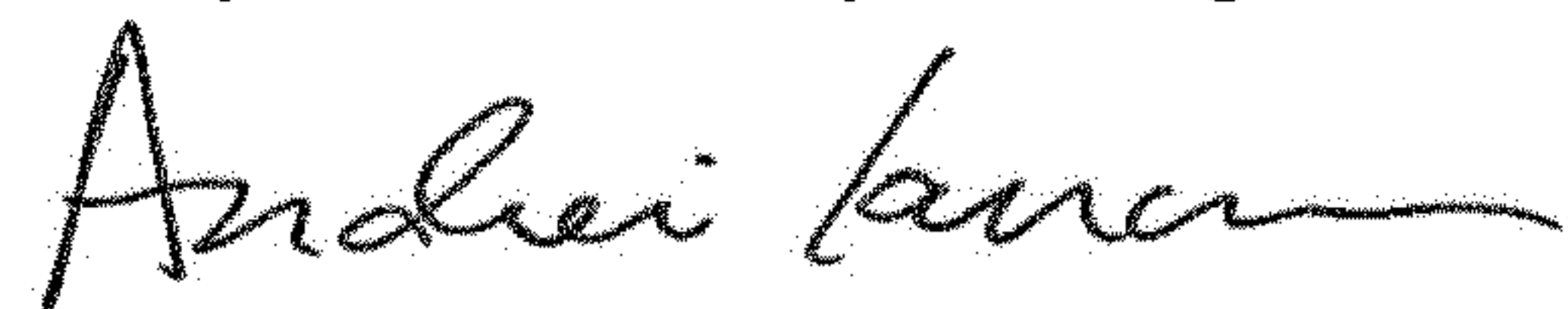
Item (71), the correct applicant should be:

Jingbang Su, Dongguan (CN);
Kim Hung Yip, Hong Kong (HK)

Item (72), the correct inventorship should be:

Jingbang Su, Dongguan (CN);
Kim Hung Yip, Hong Kong (HK)

Signed and Sealed this
Twenty-seventh Day of August, 2019



Andrei Iancu
Director of the United States Patent and Trademark Office