



US00D852002S

(12) **United States Design Patent**
Hsiao et al.

(10) **Patent No.:** **US D852,002 S**
(45) **Date of Patent:** **** Jun. 25, 2019**

(54) **BOTTLE HOLDER**

2200/0583; A61F 7/10; B31D 5/0086;
A47C 7/62; B62B 9/26; B65F 1/06

(71) Applicant: **Wistron Corporation**, New Taipei
(TW)

See application file for complete search history.

(72) Inventors: **Wen-Hsin Hsiao**, New Taipei (TW);
Hao-Chen Weng, New Taipei (TW);
Shiuan-De Chen, New Taipei (TW);
Wei-Kuo Lee, New Taipei (TW);
Chien Huang, New Taipei (TW);
Yen-Kai Chiu, New Taipei (TW)

(56) **References Cited**

U.S. PATENT DOCUMENTS

5,022,235	A *	6/1991	Grissom	B65D 81/3886
					62/372
6,059,138	A *	5/2000	Labruyere	A47G 23/0225
					220/23.4
D541,596	S *	5/2007	Hicks	D7/607
D543,790	S *	6/2007	Szymanski	D7/607
7,909,200	B1 *	3/2011	Horne	B65F 1/06
					220/495.08
8,672,176	B2 *	3/2014	Sayasithsena	A47G 23/0216
					220/4.01
D789,157	S *	6/2017	Esposito	D7/619.1
2009/0294463	A1 *	12/2009	Stack	B65D 81/3879
					220/739

(73) Assignee: **Wistron Corporation**, New Taipei
(TW)

(**) Term: **15 Years**

(21) Appl. No.: **29/664,826**

(22) Filed: **Sep. 28, 2018**

* cited by examiner

Related U.S. Application Data

(62) Division of application No. 29/610,656, filed on Jul.
14, 2017, now Pat. No. Des. 842,049.

Primary Examiner — Terry A Wallace

(74) *Attorney, Agent, or Firm* — Winston Hsu

(30) **Foreign Application Priority Data**

Jun. 23, 2017 (TW) 106303540
Jun. 23, 2017 (TW) 106303540D01

(57) **CLAIM**

The ornamental design for a bottle holder, as shown and
described.

(51) **LOC (11) Cl.** **07-06**

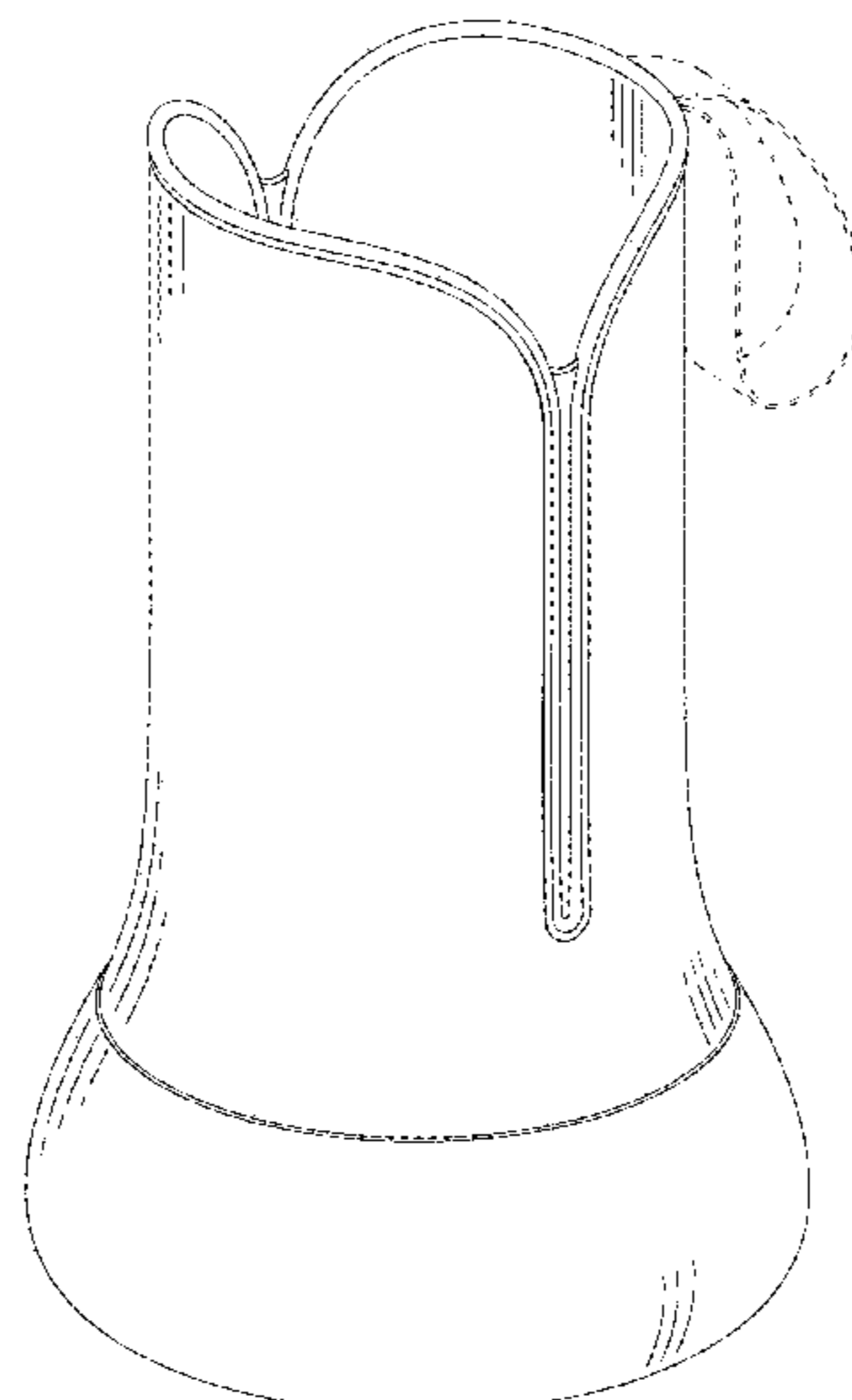
(52) **U.S. Cl.**
USPC **D7/624.2**; D7/607

DESCRIPTION

(58) **Field of Classification Search**
USPC D7/603–608, 619.1–625; D9/444
CPC .. F25D 3/08; B65D 25/30; B65D 7/24; B65D
81/3876; B65D 81/3879; B65D 23/104;
B65D 81/38; B65D 81/3886; B65D
81/3883; B65D 81/3881; B65D 83/00;
B65D 25/04; A45C 11/20; A47G
23/0216; A47G 23/0225; A47G 19/2288;
A47G 23/0241; A47G 2023/0291; A47G
23/02; A47G 19/06; A47G 19/22; A45F

FIG. 1 is a top, front, and left side perspective view of a
bottle holder showing our new design;
FIG. 2 is a front elevation view thereof;
FIG. 3 is a rear elevation view thereof;
FIG. 4 is a left side elevation view thereof;
FIG. 5 is a right side elevation view thereof;
FIG. 6 is a top plan view thereof; and,
FIG. 7 is a bottom plan view thereof.
The broken lines depict portions of the bottle holder that
form no part of the claimed design.

1 Claim, 7 Drawing Sheets



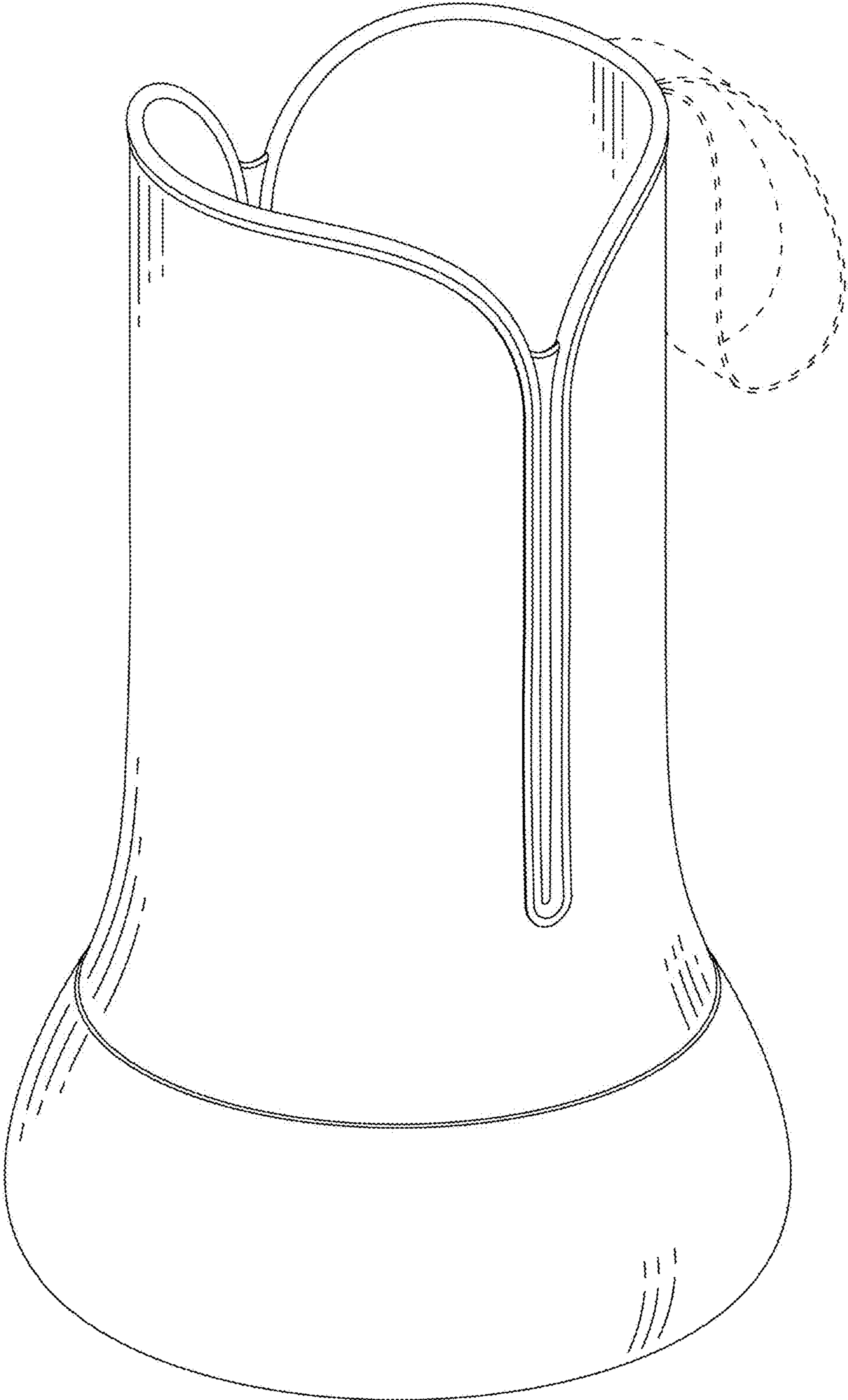


FIG. 1

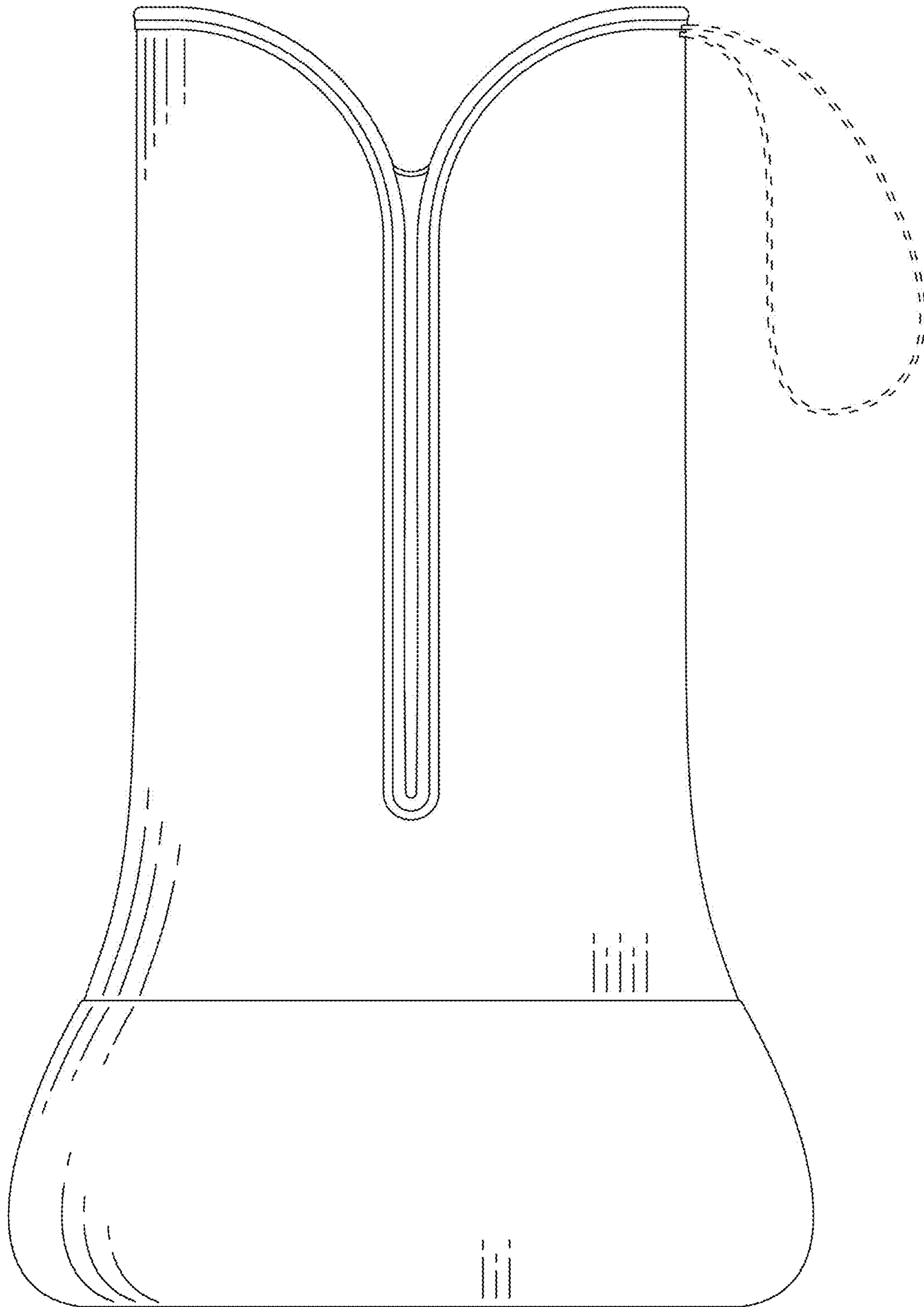


FIG. 2

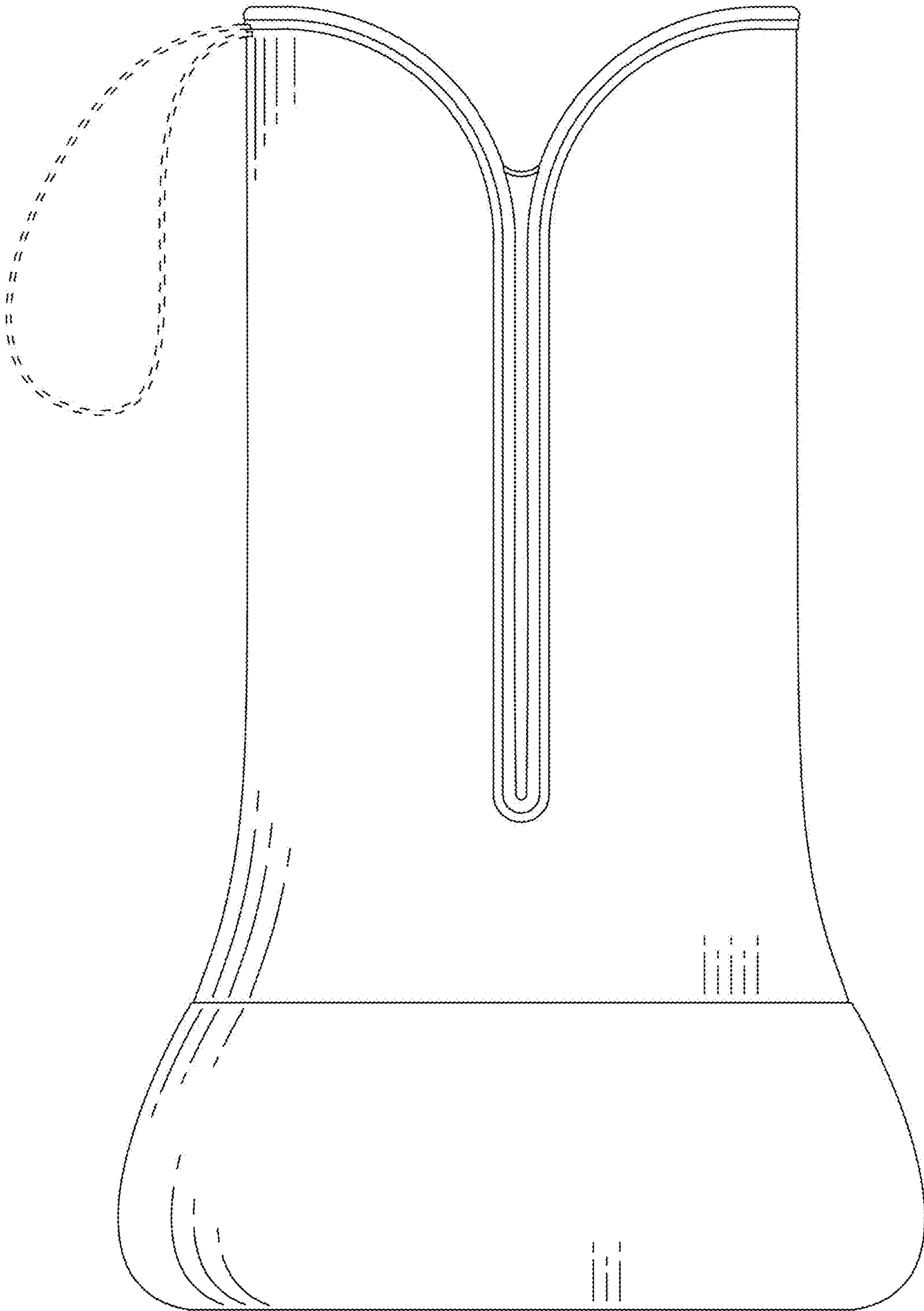


FIG. 3

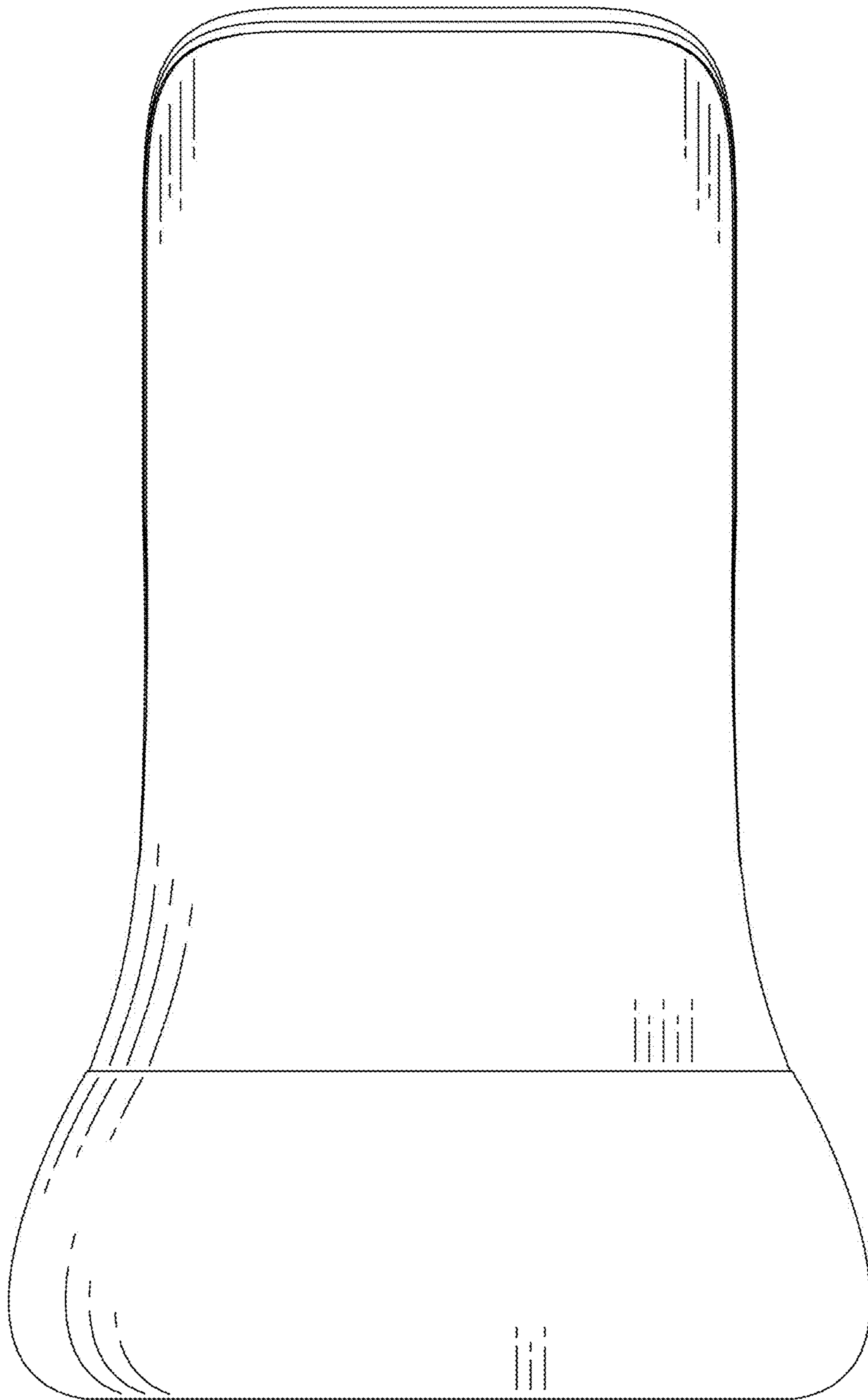


FIG. 4

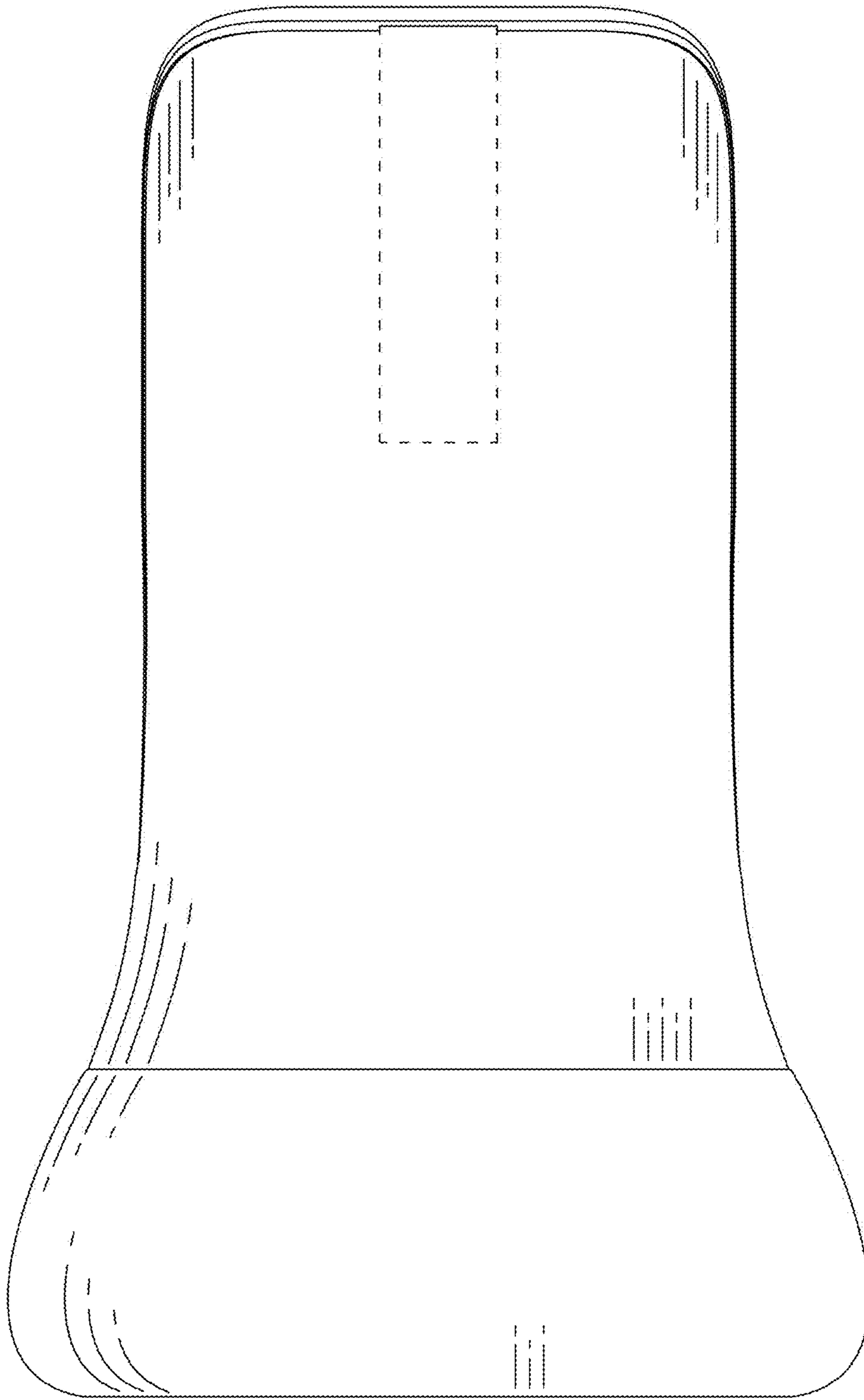


FIG. 5

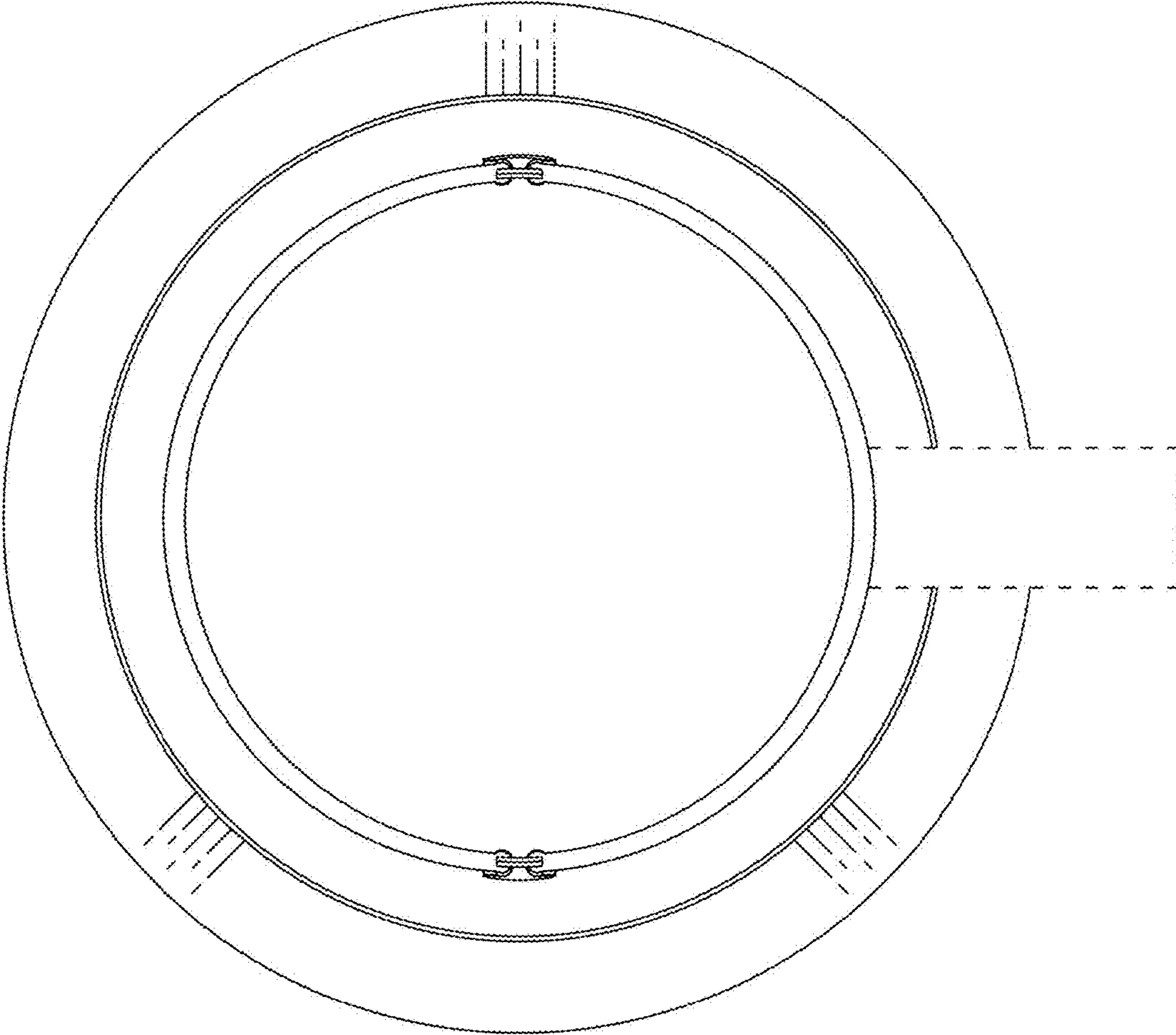


FIG. 6

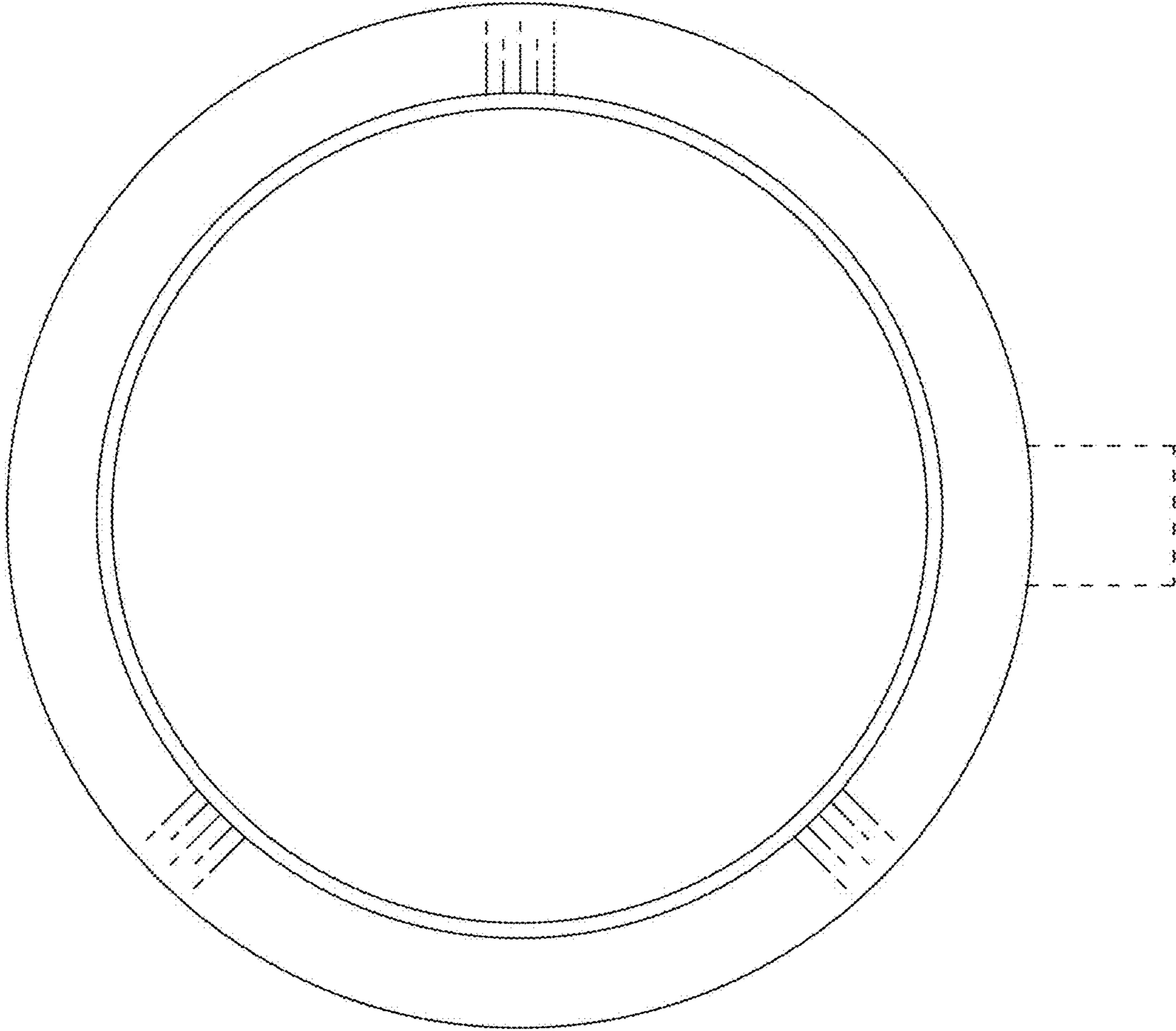


FIG. 7